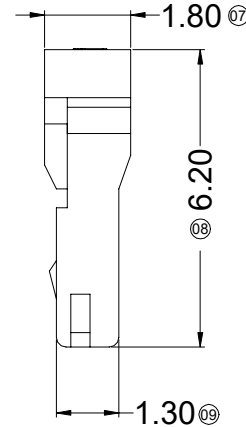
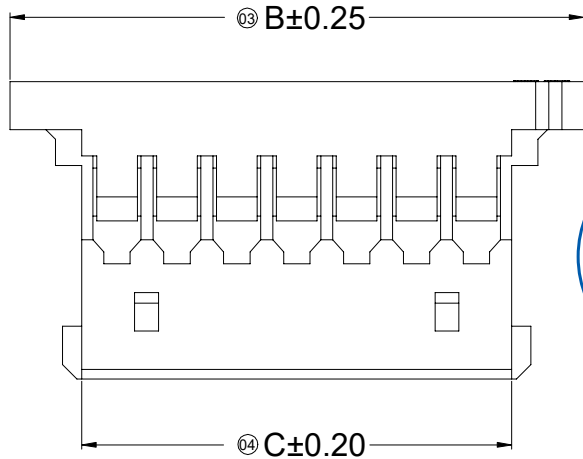
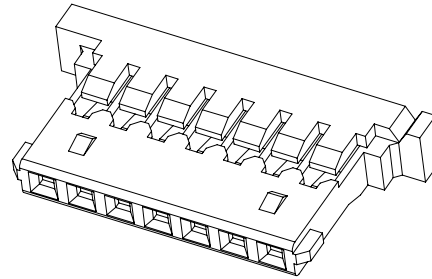
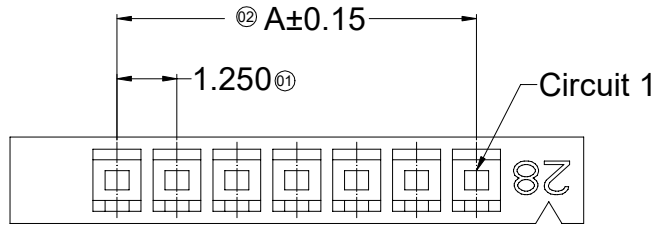
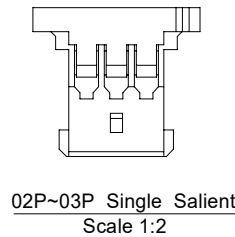
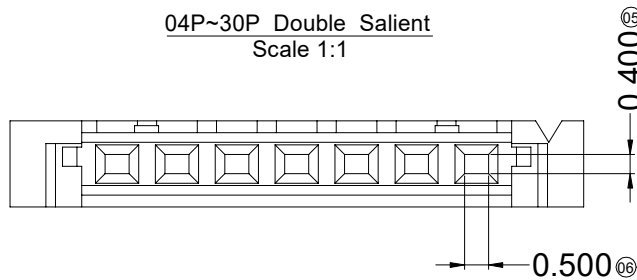


RoHS

This products can apply to the SESO Doc NO. QA-3-04-005 of Environmental&Material Management Rules



04P~30P Double Salient
Scale 1:1



■ Specifications :

- Voltage rating: 125V AC / DC
- Current rating: 1A AC / DC
- Withstanding voltage: 250V AC/minute
- Temperature range: -25°C~+85°C
- Insulation resistance: ≥100MΩ
- Contact resistance: ≤20mΩ
- After environmental testing: ≤40mΩ
- Suitable SWB Terminal: 9827T
- Mates With SESO Wafer: 9827W

9827 H X-XX X-N0 HF XX

① ② ③ ④ ⑤ ⑥ ⑦ ⑧

- ① Series No.
- ② Category: H-HSG
- ③ Welding Board Angle: Blank-ordinary
- ④ Row No.-Pin No.: XX-02P~30P
- ⑤ Special No.:
- ⑥ Material: N0-PA66 94V-0
- ⑦ Blank-RoHS; HF-Halogen free
- ⑧ Color: Blank-natural color; BK-Black

Poles	Dimensions(mm)			Poles	Dimensions(mm)		
	A	B	C		A	B	C
02	1.25	5.72	2.72	11	12.50	16.97	13.97
03	2.50	6.97	3.97	12	13.75	18.22	15.22
04	3.75	8.22	5.22	13	15.00	19.47	16.47
05	5.00	9.47	6.47	14	16.25	20.72	17.72
06	6.25	10.72	7.72	15	17.50	21.97	18.97
07	7.50	11.97	8.97	16	18.75	23.22	20.22
08	8.75	13.22	10.22	20	23.75	28.22	25.22
09	10.00	14.47	11.47	25	30.00	34.47	31.47
10	11.25	15.72	12.72	30	36.25	40.72	37.72

2023/08/08	F	/	Update Drawing Frame	LXZ	Larry Yang	GENERAL TOLERANCE .X ±0.30 .XX ±0.20 .XXX ±0.10 X° ±2° PROJECT 	SMS 东莞市思索技术股份有限公司 Dongguan SESO Technology Co.,Ltd.				PART NO. 9827H-XX-N0XX				
2020/03/26	E	EN20200326002	Update Drawing Frame	Wzbin	Robing						APPROVAL CHECK DRAWN DATE				TITLE 1.25mm Crimp Style Connectors
2015/10/26	D		Add the Black	sylvia	Jova Lau		Kim Huang	Jova Lau	Wuxiaotao	2014/05/17	UNIT	SCALE	SHEET	REV	NUMBER
DATE	REV	ECN NO	DESCRIPTION	MODIFY	APPROVAL						mm	1:1	1/1	F	A-022

RoHS

This products can apply to the SESO Doc NO. QA-3-04-005 of Environmental&Material Management Rules

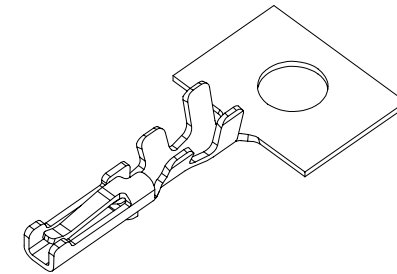
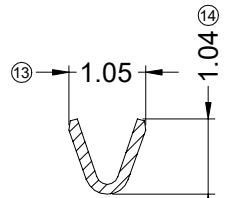
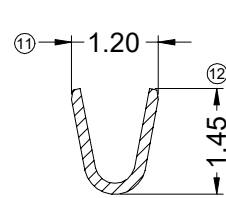
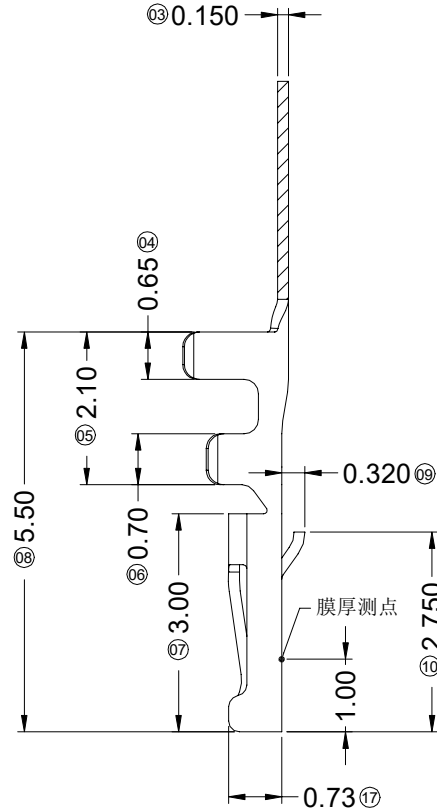
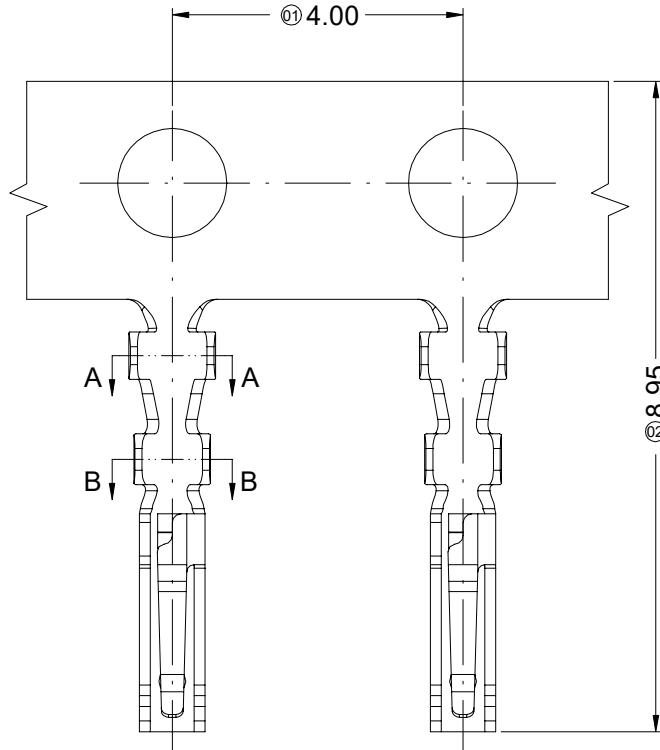
Specifications :

- Voltage rating: 125V AC / DC
- Current rating: 1A AC / DC
- Withstanding voltage: 250V AC/minute
- Temperature range: -25°C~+85°C
- Insulation resistance: ≥100MΩ
- Contact resistance: ≤20mΩ
- After environmental testing: ≤40mΩ

9827 T X-P XX X-X

① ② ③ ④ ⑤ ⑥ ⑦

- ① Series Number
- ② Category: T-terminal
- ③ Shape: Blank-ordinary
- ④ Material: P-Phosphor bronze
- ⑤ Plating style: V01-Gold Flash ; V03-Gold 3u" SN-Bright tin plating 70u"Min.; SN1-Bright tin plating 100u"Min.
- ⑥ Plating method: Blank-Stamping before plating
- ⑦ Mold No./Mark/Special No.



9827T-PSN1	Phosphor Bronze	AWG#28-32	0.90mm(Max)	Stamping Before Plating;30u" Ni; 100u"Sn Min.	9827H
9827T-PV01	Phosphor Bronze	AWG#28-32	0.90mm(Max)	Stamping Before Pating;30u" Ni;Whole Gold :Gold Flash	
9827T-PV03	Phosphor Bronze	AWG#28-32	0.90mm(Max)	Stamping Before Pating;30u" Ni;Whole Gold:3u" Min.	
9827T-PSN	Phosphor Bronze	AWG#28-32	0.90mm(Max)	Stamping Before Plating;30u" Ni;70u"Sn Min.	
PART NO	Material	Wire Range	Insulation O.D.	Finish	Used In SWB Housing

2023/08/08	G	/	Update Drawing Frame	LXZ	Larry Yang
2020/03/26	F	EN20200326002	Update Drawing Frame	Wzbin	Robing
2015/04/24	E		Modify the drawing frame format	sylvia	
DATE	REV	ECN NO	DESCRIPTION	MODIFY	APPROVAL

GENERAL TOLERANCE	
.X	±0.30
.XX	±0.20
.XXX	±0.10
X.°	±2°
PROJECT	

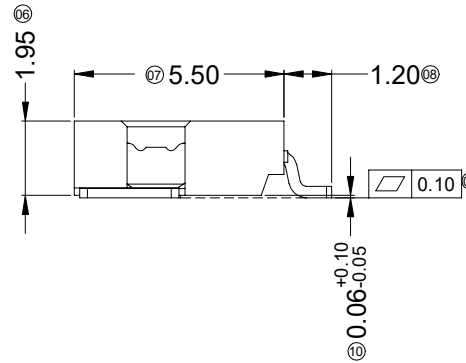
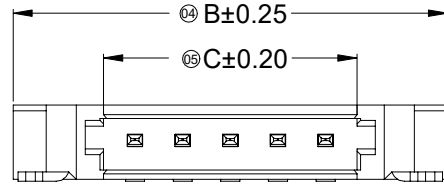
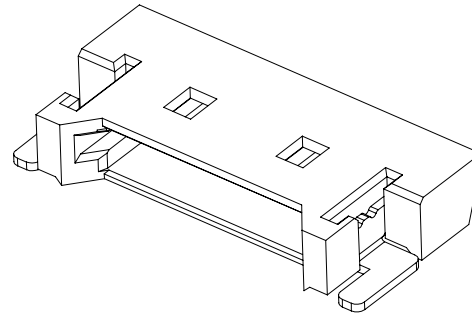
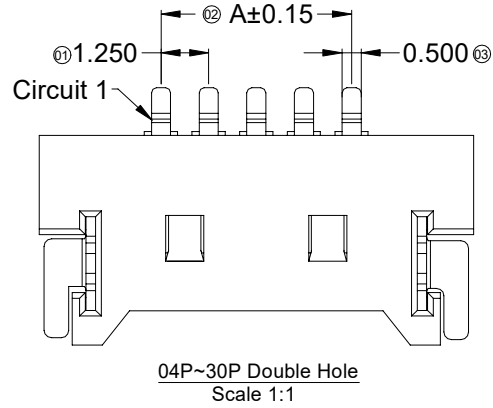
SMS 东莞市思索技术股份有限公司
Dongguan SESO Technology Co.,Ltd.

APPROVAL	CHECK	DRAWN	DATE
Tang	Joshua	Wuxiaotao	2014/05/21

PART NO.				
9827T-PXXX				
TITLE				
1.25mm Crimp Style Connectors				
UNIT	SCALE	SHEET	REV	NUMBER
mm	1:1	1/1	G	A-000

RoHS

This products can apply to the SESO Doc NO. QA-3-04-005 of Environmental&Material Management Rules



■ Specifications :

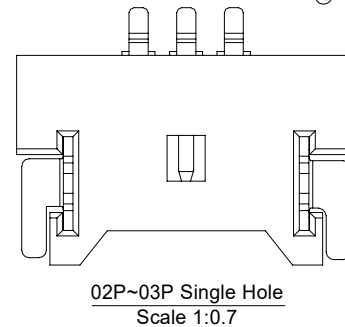
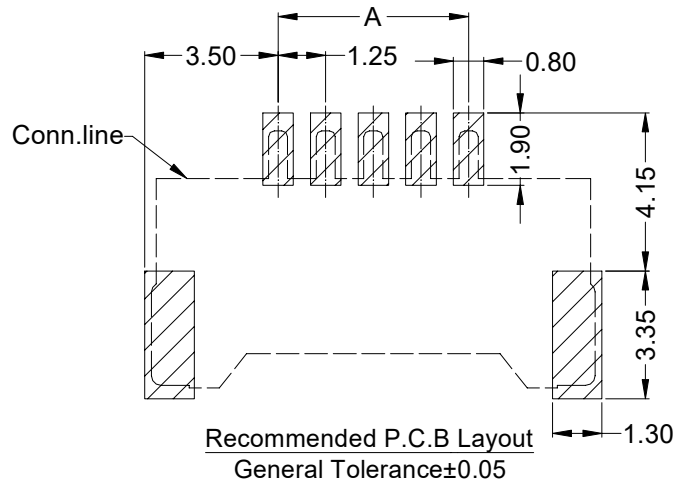
- Voltage rating: 125V AC / DC
- Current rating: 1A AC / DC
- Withstanding voltage: 250V AC/minute
- Temperature range: -25°C~+85°C
- Insulation resistance: ≥100MΩ
- Contact resistance: ≤20mΩ
- After environmental testing: ≤40mΩ

- Material(Pin): Phosphor Bronze
- Material(Solder Tabs): Phosphor Bronze
- Finish(Solder Tabs): Gold-Flash
- Mates With SWB Housing: 9827H

9827 W R S-XX HF-XX V01 XX

① ② ③ ④ ⑤ ⑥ ⑦ ⑧ ⑨

- ① Series No.
- ② Category: W-wafer
- ③ Connector Type: R- Right Angle 90°
- ④ Mouting Type: S-SMT
- ⑤ Row No.-Pin No.: XX-02P~30P
- ⑥ Special No.: HF-Halogen Free
- ⑦ Material: 9T-PA9T 94V-0 ;LP-LCP 94V-0
- ⑧ Plating Code: V01-Gold Flash ;
V15-Gold 15u" Min;
G10-Contact Area Gold10u" Min
- ⑨ Color: Blank-natural color

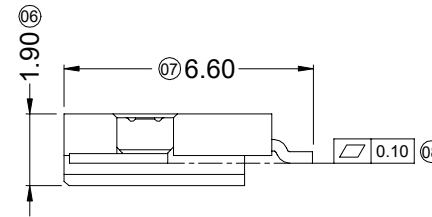
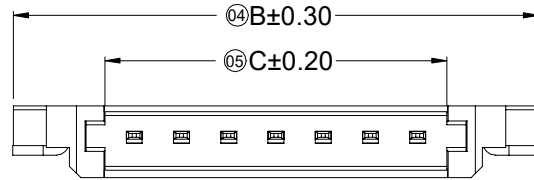
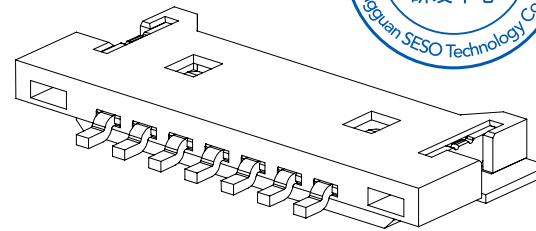
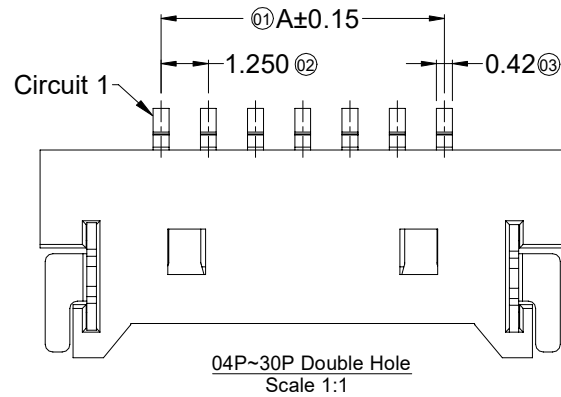


Poles	Dimensions(mm)			Poles	Dimensions(mm)		
	A	B	C		A	B	C
02	1.25	7.65	2.90	10	11.25	17.65	12.90
03	2.50	8.90	4.15	11	12.50	18.90	14.15
04	3.75	10.15	5.40	12	13.75	20.15	15.40
05	5.00	11.40	6.65	13	15.00	21.40	16.65
06	6.25	12.65	7.90	14	16.25	22.65	17.90
07	7.50	13.90	9.15	15	17.50	23.90	19.15
08	8.75	15.15	10.40	16	18.75	25.15	20.40
09	10.00	16.40	11.65	20	23.75	30.15	25.40
				30	36.25	42.65	37.90

2023/08/08	F	/	Update Drawing Frame	LXZ	Larry Yang	GENERAL TOLERANCE .X ±0.30 .XX ±0.20 .XXX ±0.10 X° ±2° PROJECT 	SMS 东莞市思索技术股份有限公司 Dongguan SESO Technology Co.,Ltd. APPROVAL CHECK DRAWN DATE Bob Sun Jova Lau Wuxiaotao 2014/05/20				PART NO. 9827WRS-XXHF-XXXXX				
2020/03/26	E	EN20200326002	Update Drawing Frame	Wzbin	Robing						TITLE 1.25mm Crimp Style Connectors				
2014/09/02	D		Add Halogen Free Part No.	sylvia	Jova						UNIT SCALE SHEET REV NUMBER mm 1:1 1/1 F A-000				
DATE	REV	ECN NO	DESCRIPTION	MODIFY	APPROVAL										

RoHS

This products can apply to the SESO Doc NO. QA-3-04-005 of Environmental&Material Management Rules

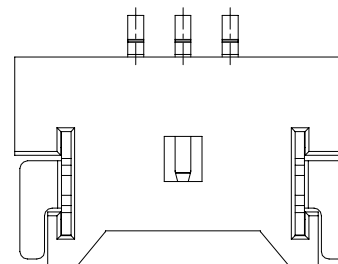
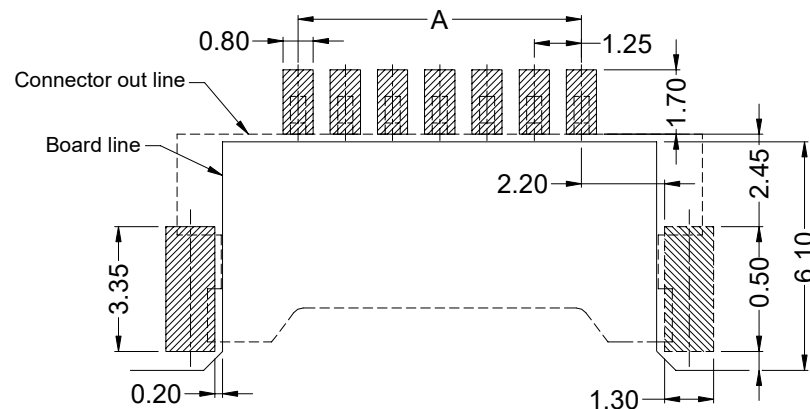


Specifications :

- Voltage rating: 125V AC / DC
- Current rating: 1A AC / DC
- Withstanding voltage: 250V AC/minute
- Temperature range: -25°C~+85°C
- Insulation resistance: ≥100MΩ
- Contact resistance: ≤20mΩ
- After environmental testing: ≤40mΩ
- Material(Pin&Solder Tab): Phosphor Bronze
- Mates With SWB Housing: 9827H

9827 W R S - XX R B -XX XXX XX
 ① ② ③ ④ ⑤ ⑥ ⑦ ⑧ ⑨ ⑩

- ① Series No.
- ② Category: W-wafer
- ③ Welding Board Angle: R- Right Angle 90°
- ④ Welding Way: S-SMT
- ⑤ Row No.-Pin No.: XX-02P~30P
- ⑥ material specification: Blank-halogen-free R-halogen
- ⑦ Special NO.: B-B TYPE
- ⑧ Material: 9T-PA9T 94V-0 ; 1T-PA10T
- ⑨ Planting Category:
V01: All Gold Flash ; SN-Bright tin plating
- ⑩ Color: Blank-natural color ; BK-Black



Recommended P.C.B Layout
 General Tolerance ±0.05

Poles	Dimensions(mm)			Poles	Dimensions(mm)		
	A	B	C		A	B	C
02	1.25	7.65	2.80	11	12.50	18.90	14.05
03	2.50	8.90	4.05	12	13.75	20.15	15.30
04	3.75	10.15	5.30	13	15.00	21.40	16.55
05	5.00	11.40	6.55	14	16.25	22.65	17.80
06	6.25	12.65	7.80	15	17.50	23.90	19.05
07	7.50	13.90	9.05	16	18.75	25.15	20.30
08	8.75	15.15	10.30	20	23.75	30.15	25.30
09	10.00	16.40	11.55	30	36.25	42.65	37.80
10	11.25	17.65	12.80				

2023/08/08	E	/	Update Drawing Frame	LXZ	Larry Yang	GENERAL TOLERANCE .X ±0.30 .XX ±0.20 .XXX ±0.10 X° ±2° PROJECT 	SMS 东莞市思索技术股份有限公司 Dongguan SESO Technology Co.,Ltd.				PART NO. 9827WRS-XXB-XXXX				
2020/11/30	D	EN20200326002	Add halogen specification	Xue	Robing						TITLE 1.25mm Crimp Style Connectors				
2020/03/26	C	EN20200326002	Update Drawing Frame	Wzbin	Robing		APPROVAL	CHECK	DRAWN	DATE	UNIT SCALE SHEET REV NUMBER				
DATE	REV	ECN NO	DESCRIPTION	MODIFY	APPROVAL		Jova Lau	Wu Xiao Tao	Sylvia	2014/05/12	mm	1:1	1/1	E	A-000