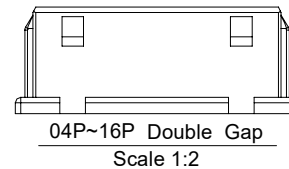
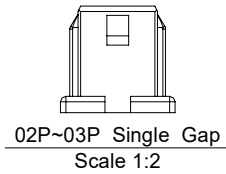
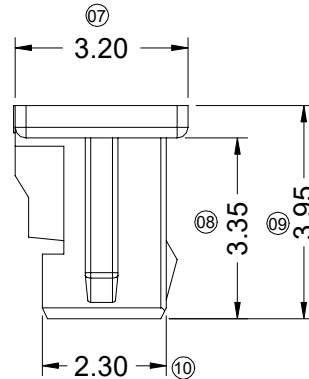
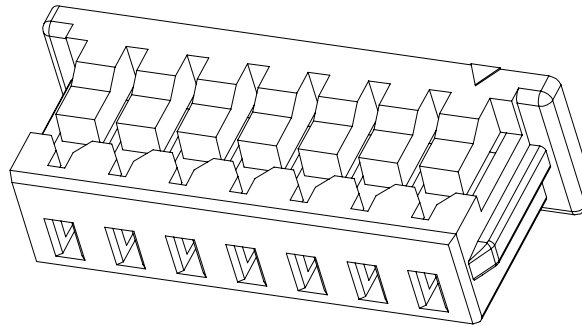
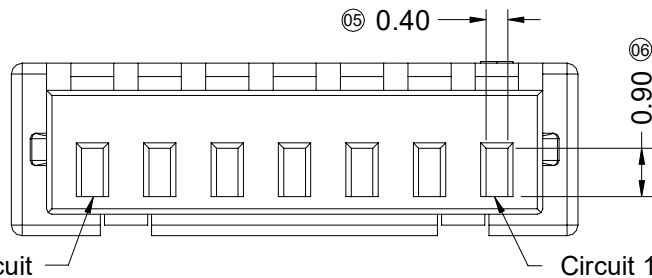
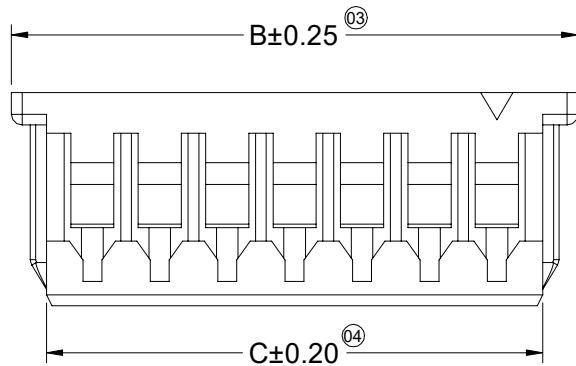
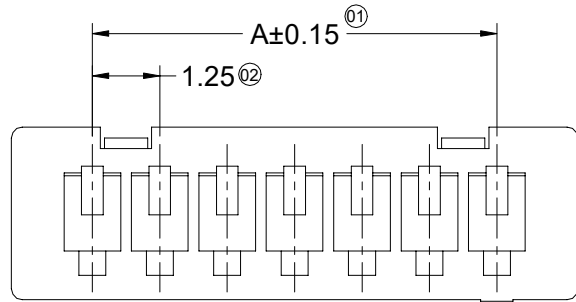


RoHS

This products can apply to the SESO Doc NO. QA-3-04-005 of Environmental&Material Management Rules



- Specifications :
- Voltage rating: 125V AC / DC
  - Current rating: 1A AC / DC
  - Withstanding voltage: 250V AC/minute
  - Temperature range: -25°C~+85°C
  - Insulation resistance: ≥100MΩ
  - Contact resistance: ≤20mΩ
  - After environmental testing: ≤40mΩ
  - Suitable SWB Terminal:9821T
  - Mates With SESO Wafer:9821W



9821 H X-XX HF-N0 XX  
① ② ③ ④ ⑤ ⑥ ⑦

- ① Series No.
- ② Category: H-HSG
- ③ Connector Type: Blank-Ordinary
- ④ Row No.-Pin No Per Row: XX-02P~16P
- ⑤ Special No.: HF-Halogen Free
- ⑥ Material: N0-PA66 94V-0
- ⑦ Color: Blank-Natural Color; BK- Black

Poles	Dimensions(mm)			Poles	Dimensions(mm)		
	A	B	C		A	B	C
02	1.25	4.25	2.95	10	11.25	14.25	12.95
03	2.50	5.50	4.20	11	12.50	15.50	14.20
04	3.75	6.75	5.45	12	13.75	16.75	15.45
05	5.00	8.00	6.70	13	15.00	18.00	16.70
06	6.25	9.25	7.95	14	16.25	19.25	17.95
07	7.50	10.50	9.20	15	17.50	20.50	19.20
08	8.75	11.75	10.45	16	18.75	21.75	20.45
09	10.00	13.00	11.70				

DATE	REV	ECN NO.	DESCRIPTION	MODIFY	APPROVAL	PROJECT
2023/08/08	G	/	Update Drawing Frame	LXZ	Larry Yang	GENERAL TOLERANCE
2020/03/26	F	EN20200326001	Update Drawing Frame	Alan qin	Robing	.X ±0.30
2015/04/25	E		Modify the drawing frame format	Jova	Bob	.XX ±0.20
						.XXX ±0.10
						X.° ±2°

**SMS** 东莞市思索技术股份有限公司  
Dongguan SESO Technology Co.,Ltd.

PART NO.  
9821HX-XXHF-N0XX

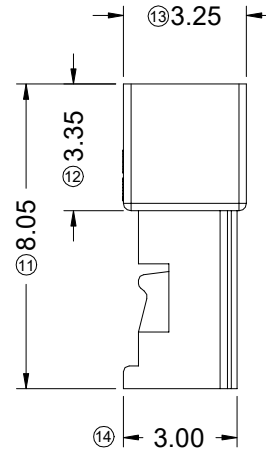
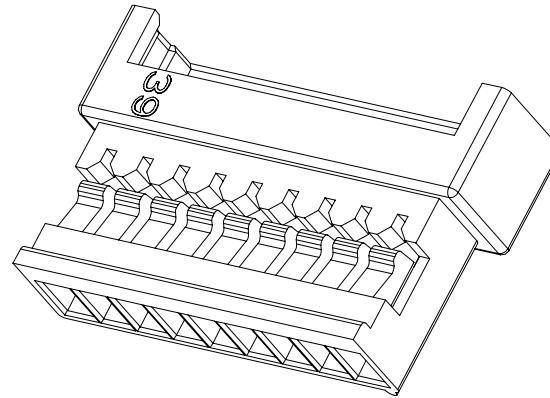
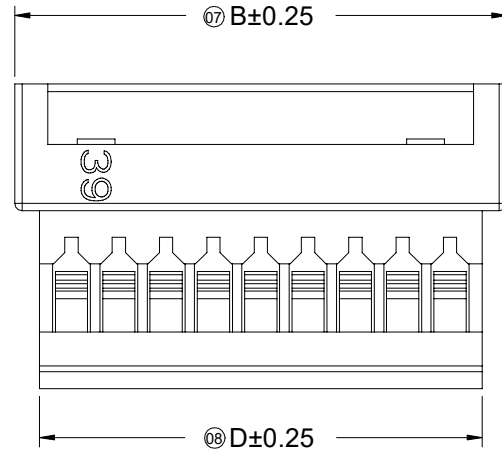
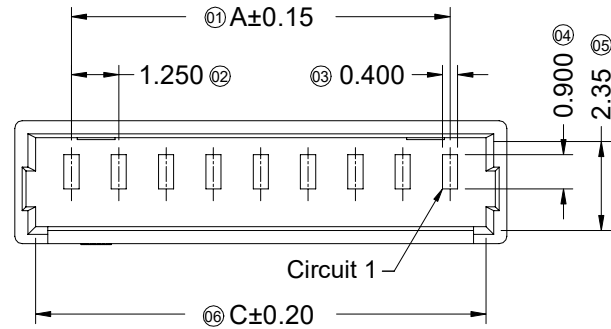
TITLE  
1.25mm Crimp Style Connectors

APPROVAL	CHECK	DRAWN	DATE
Kim Huang	Jova Lau	Wuxiaotao	2014/05/13

UNIT	SCALE	SHEET	REV	NUMBER
mm	1:1	1/1	G	A-043

RoHS

This products can apply to the SESO Doc NO. QA-3-04-005 of Environmental&Material Management Rules



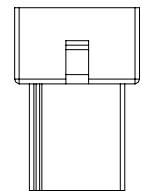
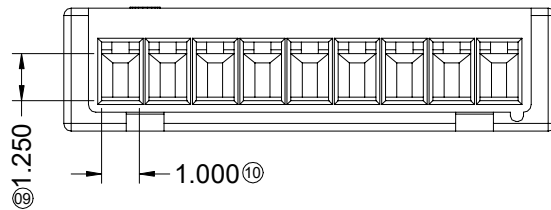
Specifications :

- Voltage rating: 125V AC / DC
- Current rating: 1A AC / DC
- Withstanding voltage: 250V AC/minute
- Temperature range: -25°C~+85°C
- Insulation resistance: ≥100MΩ
- Contact resistance: ≤20mΩ
- After environmental testing: ≤40mΩ
- Suitable SWB Terminal: 9821TM
- Mates With SESO Housing: 9821H

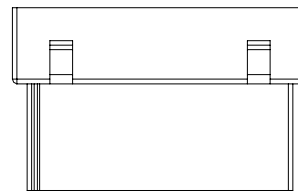
9821 H F-XX X-N0 HF

① ② ③ ④ ⑤ ⑥ ⑦

- ① Series No.
- ② Category: H-HSG
- ③ Connector Type: F-Female HSG
- ④ Row No.-Pin No Per Row: XX-02P~16P
- ⑤ Special No.: Blank-Ordinary
- ⑥ Material: N0-PA66 94V-0
- ⑦ HF-Halogen Free



02P~03P Single hole  
Scale 0.6:1



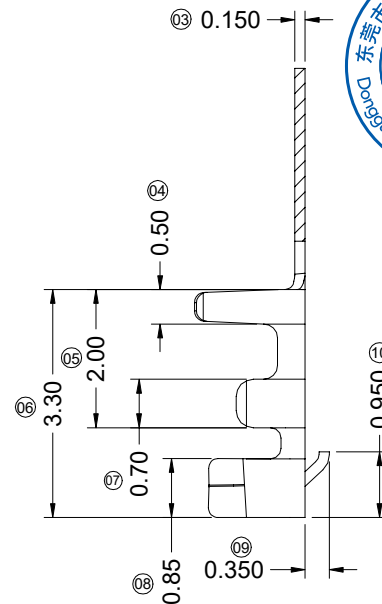
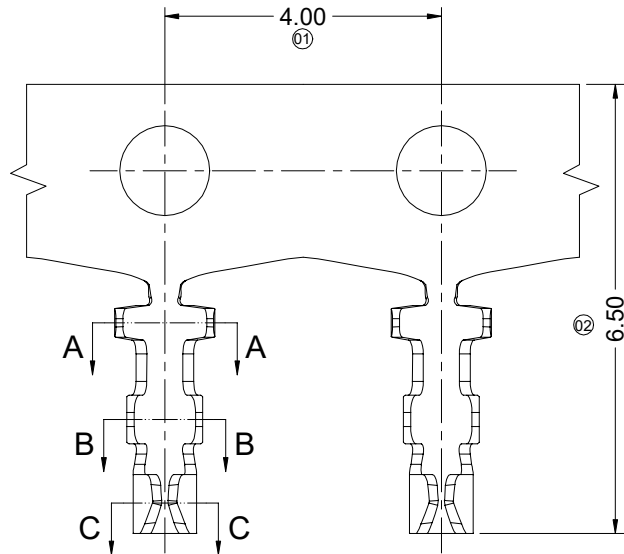
04P~16P Double hole  
Scale 0.6:1

Poles	Dimensions(mm)				Poles	Dimensions(mm)			
	A	B	C	D		A	B	C	D
02	1.25	4.25	3.15	2.95	10	11.25	14.25	13.15	12.95
03	2.50	5.50	4.40	4.20	11	12.50	15.50	14.40	14.20
04	3.75	6.75	5.65	5.45	12	13.75	16.75	15.65	15.45
05	5.00	8.00	6.90	6.70	13	15.00	18.00	16.90	16.70
06	6.25	9.25	8.15	7.95	14	16.25	19.25	18.15	17.95
07	7.50	10.50	9.40	9.20	15	17.50	20.50	19.40	19.20
08	8.75	11.75	10.65	10.45	16	18.75	21.75	20.65	20.45
09	10.00	13.00	11.90	11.70					

2023/08/08	F	/	Update Drawing Frame	LXZ	Larry Yang	<b>GENERAL TOLERANCE</b> .X ±0.30 .XX ±0.20 .XXX ±0.10 X.° ±2° <b>PROJECT</b> 	<b>SMS 东莞市思索技术股份有限公司</b> Dongguan SESO Technology Co.,Ltd.				PART NO. 9821HF-XXX-N0HF				
2020/03/26	E	EN20200326001	Update Drawing Frame	Alan qin	Robing						TITLE 1.25mm Crimp Style Connectors				
2015/04/25	D		Modify the drawing frame format	sylvia	Bob Sun		APPROVAL	CHECK	DRAWN	DATE					
DATE	REV	ECN NO.	DESCRIPTION	MODIFY	APPROVAL		Robing	Jova Lau	Wuxiaotao	2014/05/15	UNIT	SCALE	SHEET	REV	NUMBER
										mm	1 : 1	1/1	F	A-022	

RoHS

This products can apply to the SESO Doc NO. QA-3-04-005 of Environmental&Material Management Rules



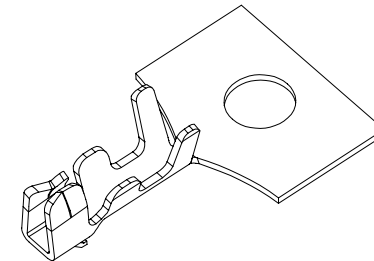
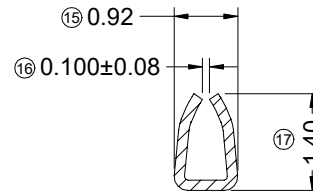
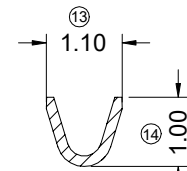
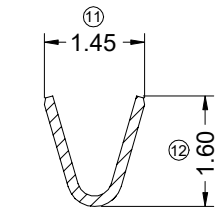
Specifications :

- Voltage rating: 125V AC / DC
- Current rating: 1A AC / DC
- Withstanding voltage: 250V AC/minute
- Temperature range: -25°C~+85°C
- Insulation resistance: ≥100MΩ
- Contact resistance: ≤20mΩ
- After environmental testing: ≤40mΩ
- Wire Range: AWG #28-32
- Insulation O.D.: 1.00mm(Max)
- Used In SESO Housing: 9821H

9821 T X-P XX X-X

① ② ③ ④ ⑤ ⑥ ⑦

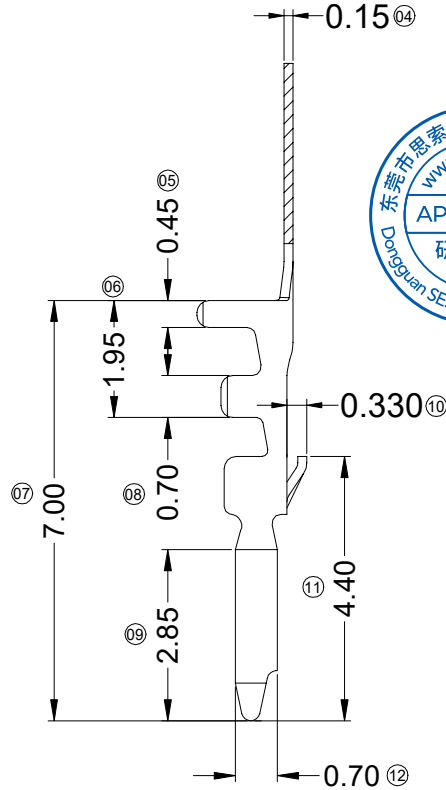
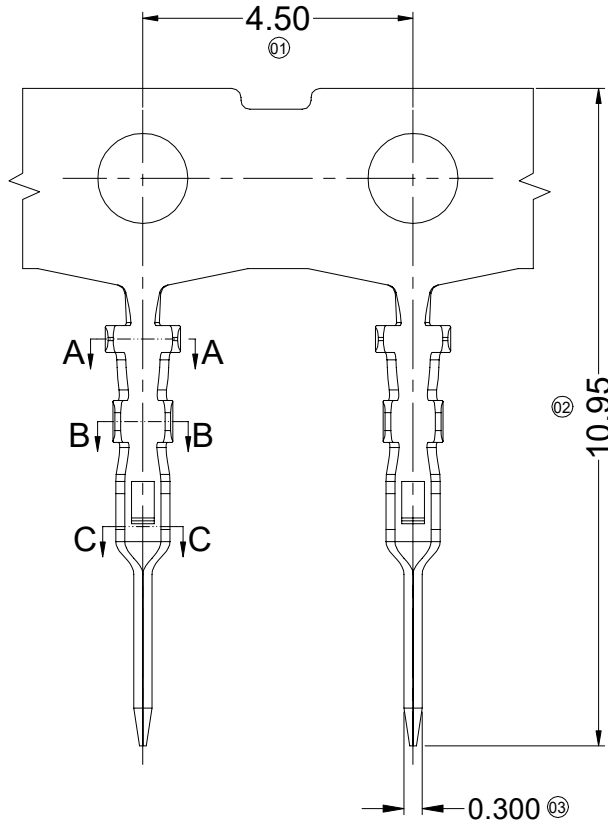
- ① Series Number
- ② Category: T-terminal
- ③ Shape: Blank-Ordinary
- ④ Material: P-Phosphor Bronze
- ⑤ Plating Code: V01-Gold Flash  
SN-Bright Tin  
V15- Full gold plating
- ⑥ Plating Method: Blank-Stamping Before Plating
- ⑦ Mold No./Mark/Special No.: Blank-Ordinary



2023/08/08	F	/	Update Drawing Frame	LXZ	Larry Yang	<b>GENERAL TOLERANCE</b> .X ±0.30 .XX ±0.20 .XXX ±0.10 X.° ±2° PROJECT 	<b>SMS 东莞市思索技术股份有限公司</b> Dongguan SESO Technology Co.,Ltd.	PART NO. 9821TX-PXXXX				
2020/03/26	E	EN20200326001	Update Drawing Frame	Alan qin	Robing			TITLE 1.25mm Crimp Style Connectors				
2017/11/23	D		Delete Mark	Savvy	Jacky			APPROVAL	CHECK	DRAWN	DATE	
DATE	REV	ECN NO.	DESCRIPTION	MODIFY	APPROVAL			Robing	Jova Lau	Wuxiaotao	2014/05/16	
								UNIT	SCALE	SHEET	REV	NUMBER
								mm	1:1	1/1	F	A-014

RoHS

This products can apply to the SESO Doc NO. QA-3-04-005 of Environmental&Material Management Rules



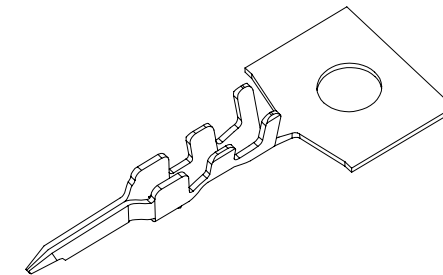
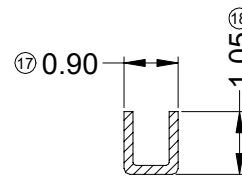
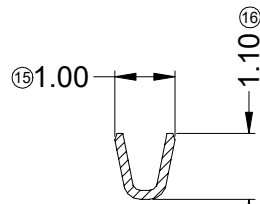
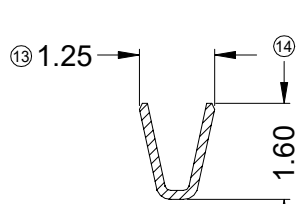
Specifications :

- Voltage rating: 125V AC / DC
- Current rating: 1A AC / DC
- Withstanding voltage: 250V AC/minute
- Temperature range: -25°C~+85°C
- Insulation resistance: ≥100MΩ
- Contact resistance: ≤20mΩ
- After environmental testing: ≤40mΩ
- Material: Phosphor Bronze
- Wire Range: AWG #28-32
- Insulation O.D.: 1.00mm(Max)
- Used In SESO Housing: 9821HF

9821 T M-P XX X-X

① ② ③ ④ ⑤ ⑥ ⑦

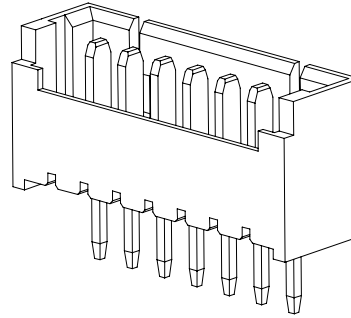
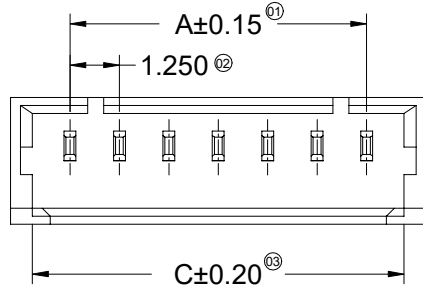
- ① Series Number
- ② Category: T-Terminal
- ③ Shape: M-Male
- ④ Material: P-Phosphor Bronze
- ⑤ Plating Code: V01-Gold Flash ; SN-Bright Tin
- ⑥ Plating Method: Blank-Stamping Before Plating
- ⑦ Mold No./Mark/Special No.: Blank-Ordinary



2020/08/08	F	/	Update Drawing Frame	LXZ	Larry Yang	<b>GENERAL TOLERANCE</b> .X ±0.30 .XX ±0.20 .XXX ±0.10 X.° ±2° PROJECT 	<b>SMS 东莞市思索技术股份有限公司</b> Dongguan SESO Technology Co.,Ltd.				PART NO. 9821TM-PXXXX				
2020/03/26	E	EN20180824001	Update Drawing Frame, The Same ECR And ECN No	Alan qin	Robing						TITLE 1.25mm Crimp Style Connectors				
2018/08/24	D	EN20180824001	Modify the drawing according to the actual object	sylvia	Smarm		APPROVAL	CHECK	DRAWN	DATE					
DATE	REV	ECN NO.	DESCRIPTION	MODIFY	APPROVAL		Robing	Jova Lau	Wuxiaotao	2014/05/16	UNIT	SCALE	SHEET	REV	NUMBER
										mm	1:1	1/1	F	A-022	

RoHS

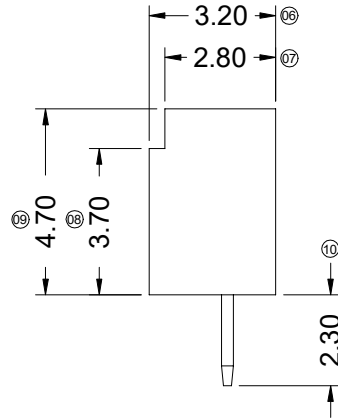
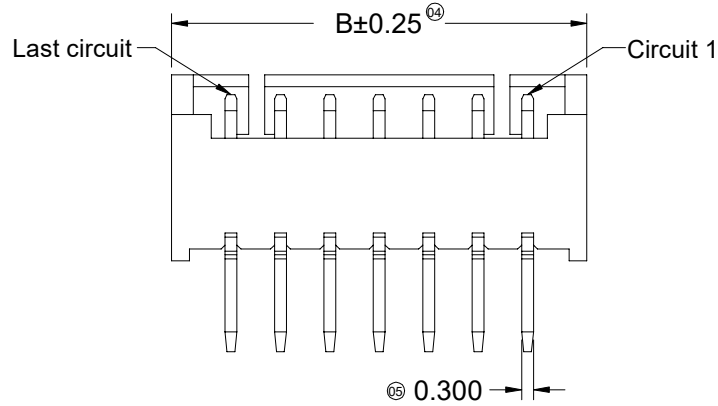
This products can apply to the SESO Doc NO. QA-3-04-005 of Environmental&Material Management Rules



■ Specifications :

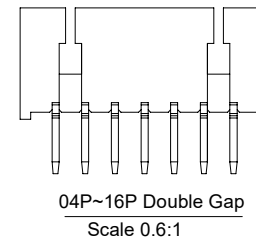
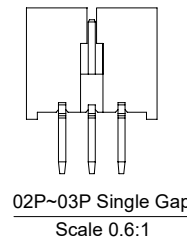
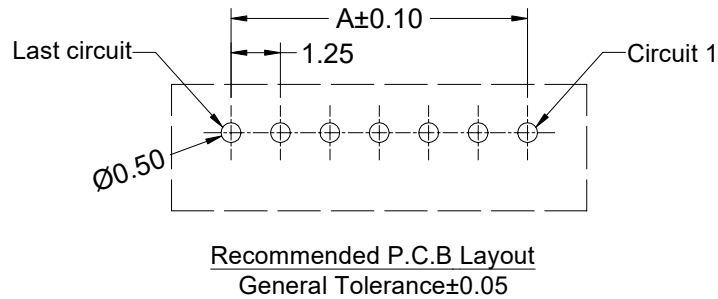
- Voltage rating: 125V AC / DC
- Current rating: 1A AC / DC
- Withstanding voltage: 250V AC/minute
- Temperature range: -25°C~+85°C
- Insulation resistance: ≥100MΩ
- Contact resistance: ≤20mΩ
- After environmental testing: ≤40mΩ

- Material(Pin): Brass
- Mates With SESO Housing: 9821H



9821 W V X-XX X-XX SN XX  
① ②③④⑤⑥⑦⑧⑨

- ① Series No.
- ② Category: W-Wafer
- ③ Connector Type: V- Straight 180°
- ④ Mounting Type: Blank-DIP
- ⑤ Row No.-Pin No Per Row: XX-02P~16P
- ⑥ Special No.: Blank-Ordinary
- ⑦ Material: 46-PA46 94V-0 ; LP-LCP 94V-0
- ⑧ Planting Code: SN-Bright Tin  
SW-Matte Tin
- ⑨ Color: Blank-Natural Color

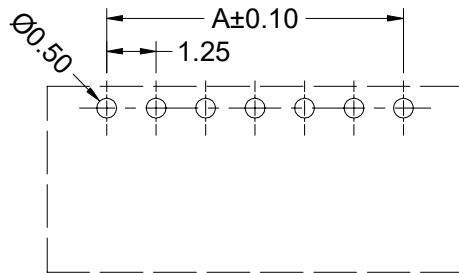
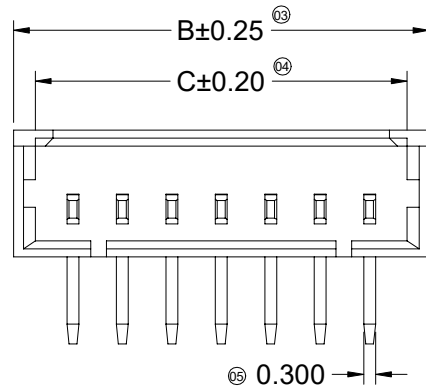
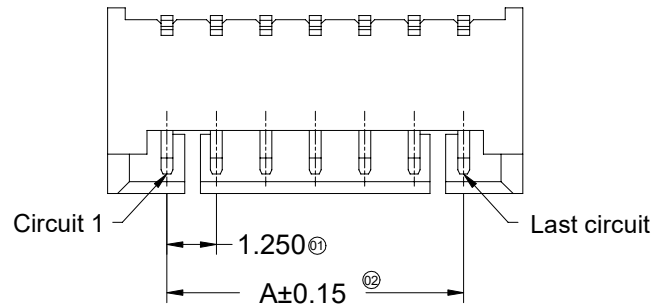


Poles	Dimensions(mm)			Poles	Dimensions(mm)		
	A	B	C		A	B	C
02	1.25	4.25	3.15	10	11.25	14.25	13.15
03	2.50	5.50	4.40	11	12.50	15.50	14.40
04	3.75	6.75	5.65	12	13.75	16.75	15.65
05	5.00	8.00	6.90	13	15.00	18.00	16.90
06	6.25	9.25	8.15	14	16.25	19.25	18.15
07	7.50	10.50	9.40	15	17.50	20.50	19.40
08	8.75	11.75	10.65	16	18.75	21.75	20.65
09	10.00	13.00	11.90				

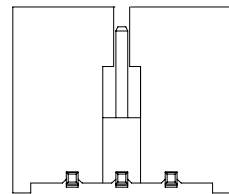
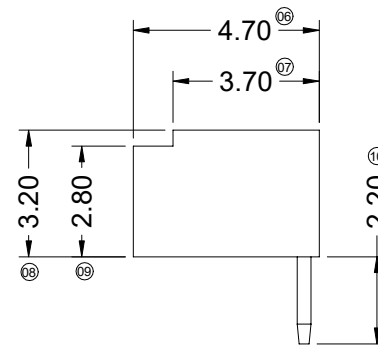
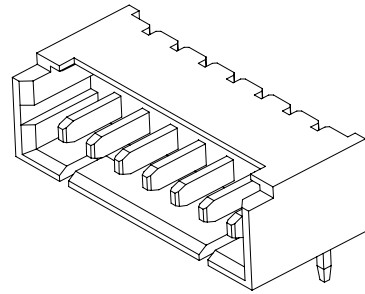
2023/08/08	G	/	Update Drawing Frame	LXZ	Larry Yang	<b>GENERAL TOLERANCE</b> .X ±0.30 .XX ±0.20 .XXX ±0.10 X.° ±2° PROJECT 	<b>SMS 东莞市思索技术股份有限公司</b> Dongguan SESO Technology Co.,Ltd.	PART NO. 9821WVX-XXX-XXSNXX				
2020/03/26	F	ER20190426003	Update Drawing Frame, The Same ECR And ECN No	Alan qin	Robing			TITLE 1.25mm Crimp Style Connectors				
2019/04/26	E	ER20190426003	Modify the drawing in kind	Hai Li	Smarm			APPROVAL	CHECK	DRAWN	DATE	
DATE	REV	ECN NO.	DESCRIPTION	MODIFY	APPROVAL			Robing	Smarm	Wuxiaotao	2014/05/13	
							UNIT	SCALE	SHEET	REV	NUMBER	
							mm	1 : 1	1/1	G	A-084	

RoHS

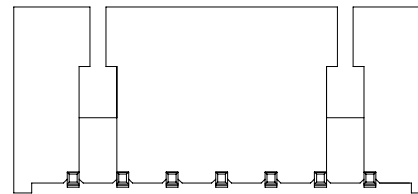
This products can apply to the SESO Doc NO. QA-3-04-005 of Environmental&Material Management Rules



Recommended P.C.B Layout  
General Tolerance±0.05



02P~03P Single Gap



04P~16P Double Gap

Specifications :

- Voltage rating: 125V AC / DC
- Current rating: 1A AC / DC
- Withstanding voltage: 250V AC/minute
- Temperature range: -25°C~+85°C
- Insulation resistance: ≥100MΩ
- Contact resistance: ≤20mΩ
- After environmental testing: ≤40mΩ
- Material(Pin): Brass
- Mates With SESO Housing: 9821H

9821 W R X-XX X-46 SN XX XX

① ② ③ ④ ⑤ ⑥ ⑦ ⑧ ⑨ ⑩

- ① Series No.
- ② Category: W-wafer
- ③ Connector Type: R-Right Angle 90°
- ④ Mounting Type: Blank-DIP
- ⑤ Row No.-Pin No Per Row: XX-02P~16P
- ⑥ Special No.: Blank-Ordinary
- ⑦ Material: 46-PA46 94V-0
- ⑧ Planting Code: SN-Bright Tin
- ⑨ Color: Blank-Natural Color
- ⑩ Packing: Blank-Bag; R-Reel ,Without Mylar

Poles	Dimensions(mm)			Poles	Dimensions(mm)		
	A	B	C		A	B	C
02	1.25	4.25	3.15	10	11.25	14.25	13.15
03	2.50	5.50	4.40	11	12.50	15.50	14.40
04	3.75	6.75	5.65	12	13.75	16.75	15.65
05	5.00	8.00	6.90	13	15.00	18.00	16.90
06	6.25	9.25	8.15	14	16.25	19.25	18.15
07	7.50	10.50	9.40	15	17.50	20.50	19.40
08	8.75	11.75	10.65	16	18.75	21.75	20.65
09	10.00	13.00	11.90				

2023/08/08	H	/	Update Drawing Frame	LXZ	Larry Yang	<b>SMS</b> 东莞市思索技术股份有限公司 Dongguan SESO Technology Co.,Ltd.	PART NO. 9821WRX-XX-46SNXXXX							
2021/05/19	G	EN20210519001	Add Reel Packing	Zeng	Robing		TITLE 1.25mm Crimp Style Connectors							
2020/06/26	F	EN20200326001	Update Drawing Frame	Alan qin	Robing		APPROVAL	CHECK	DRAWN	DATE				
DATE	REV	ECN NO.	DESCRIPTION	MODIFY	APPROVAL		Robing	Jova Lau	Wuxiaotao	2014/05/13				
GENERAL TOLERANCE .X ±0.30 .XX ±0.20 .XXX ±0.10 X.° ±2°						PROJECT 				UNIT mm	SCALE 1:1	SHEET 1/1	REV H	NUMBER A-084

RoHS

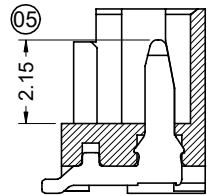
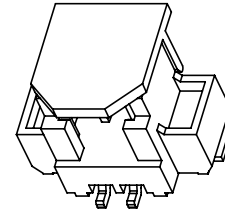
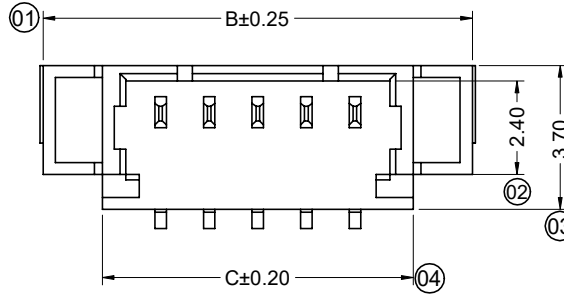
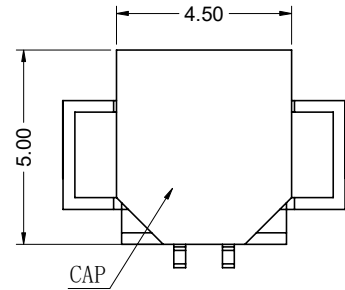
This products can apply to the SESO Doc NO. QA-3-04-005 of Environmental&Material Management Rules



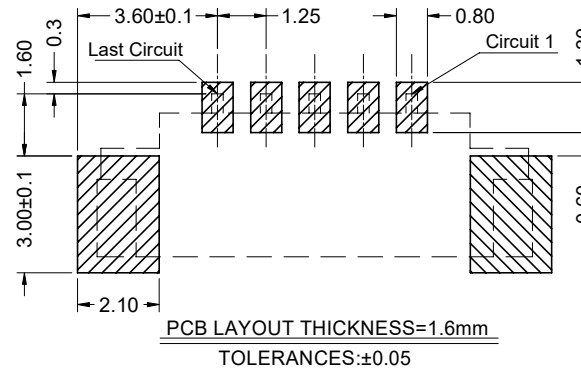
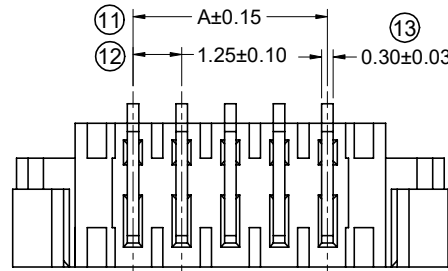
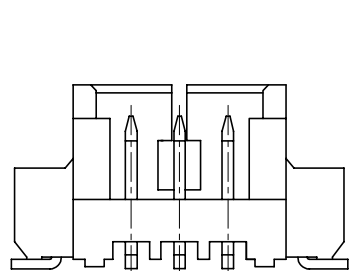
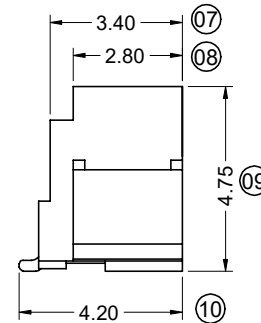
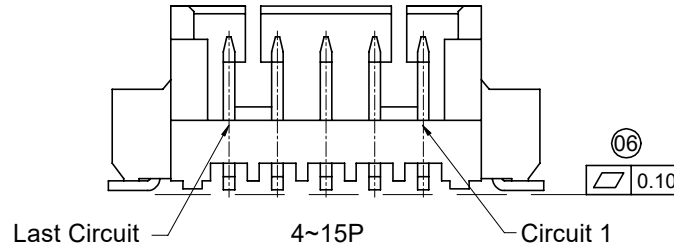
- Specifications :
- Voltage rating: 125V AC / DC
  - Current rating: 1A AC / DC
  - Withstanding voltage: 250V AC/minute
  - Temperature range: -25°C~+85°C
  - Insulation resistance: ≥100MΩ
  - Contact resistance: ≤20mΩ
  - After environmental testing: ≤40mΩ
  - Pin Material: Phosphor Bronze / Tin-Plated
  - Solder Tab Material: Brass / Tin-Plated
  - Mates With SESO Housing: 9821H

9821 W V S-XX X-46 SW XX-XY  
 ① ② ③ ④ ⑤ ⑥ ⑦ ⑧ ⑨

- ① Series No.
- ② Category: W-wafer
- ③ Connector Type: V- Straight 180°
- ④ Mounting type: S-SMT
- ⑤ Row No.-Pin No Per Row: XX-02~15P
- ⑥ Special No: Blank-Ordinary
- ⑦ Material: 46 -PA46 94V-0
- ⑧ Plating Code: SW-Matte Tin
- ⑨ Color: Blank-Natural Color



SECTION A-A  
SCALE 1:1



Poles	Dimensions(mm)		
	A	B	C
02	1.25	7.25	4.25
03	2.50	8.50	5.50
04	3.75	9.75	6.75
05	5.00	11.00	8.00
06	6.25	12.25	9.25
07	7.50	13.50	10.50
08	8.75	14.75	11.75
09	10.00	16.00	13.00
10	11.25	17.25	14.25
11	12.50	18.50	15.50
12	13.75	19.75	16.75
13	15.00	21.00	18.00
14	16.25	22.25	19.25
15	17.50	23.50	20.50

DATE	REV	ECN NO.	DESCRIPTION	MODIFY	APPROVAL
2023/08/08	B	/	Update Drawing Frame	LXZ	Larry Yang

GENERAL TOLERANCE	
.X	±0.30
.XX	±0.20
.XXX	±0.10
X.°	±2°

**SMS** 东莞市思索技术股份有限公司  
Dongguan SESO Technology Co.,Ltd.

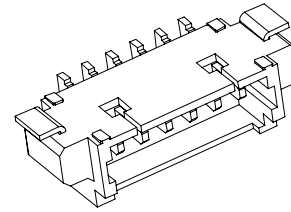
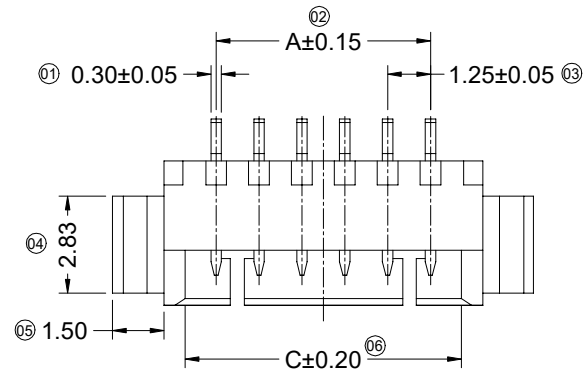
APPROVAL	CHECK	DRAWN	DATE
Robing	Joshua	Alan qin	2019/09/09

PART NO.				
9821WVS-XXX-46SW-XY				
TITLE				
1.25mm Crimp Style Connectors				
UNIT	SCALE	SHEET	REV	NUMBER
mm	1:1	1/1	B	A-007



RoHS

This products can apply to the SESO Doc NO. QA-3-04-005 of Environmental&Material Management Rules

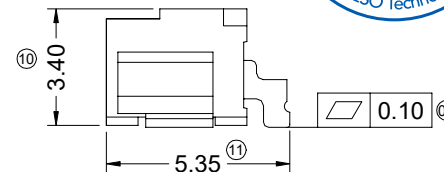
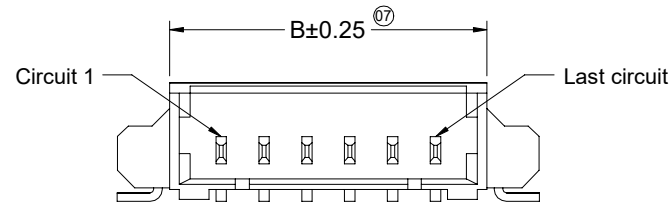


■ Specifications :

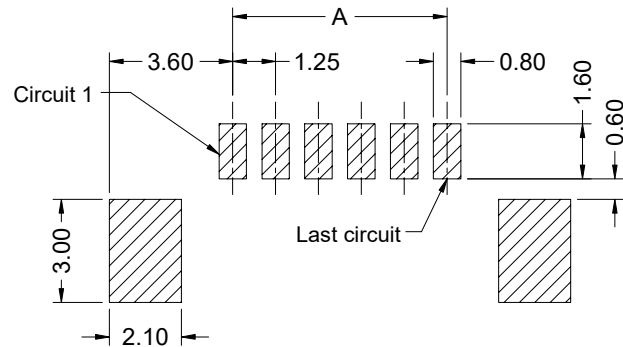
- Voltage rating: 125V AC / DC
- Current rating: 1A AC / DC
- Withstanding voltage: 250V AC/minute
- Temperature range: -25°C~+85°C
- Insulation resistance: ≥100MΩ
- Contact resistance: ≤20mΩ
- After environmental testing: ≤40mΩ
- Material(Pin): Phosphor Bronze  $\Delta$ B
- Material( Solder Tabs): Brass
- Finish(Solder Tabs): Matte Tin
- Mates With SESO Housing: 9821H

9821 W R S - XX X - XX SW XX -XY

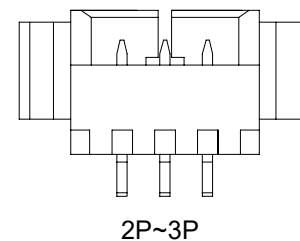
① ② ③ ④ ⑤ ⑥ ⑦ ⑧ ⑨



- ① Series No.
- ② Category: W-wafer
- ③ Connector Type: R-Right Angle 90°
- ④ Mounting Type: S-SMT
- ⑤ Row No.-Pin No Per Row: XX-02P~20P
- ⑥ Special NO.: Blank-Ordinary
- ⑦ Material: 46-PA46 94V-0
- ⑧ Plating Code: SW-Matte Tin
- ⑨ Color: Blank-Natural Color



Recommended P.C.B Layout  
General Tolerance±0.05



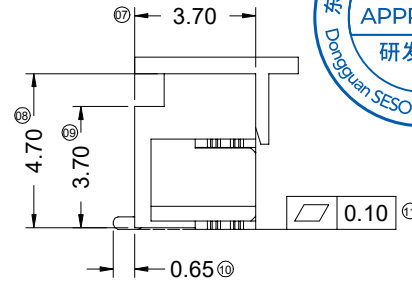
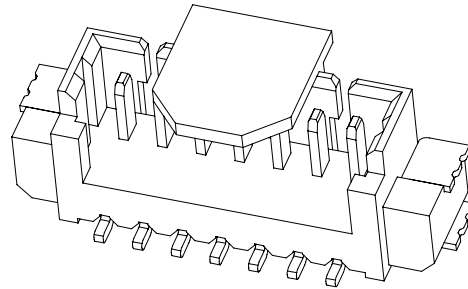
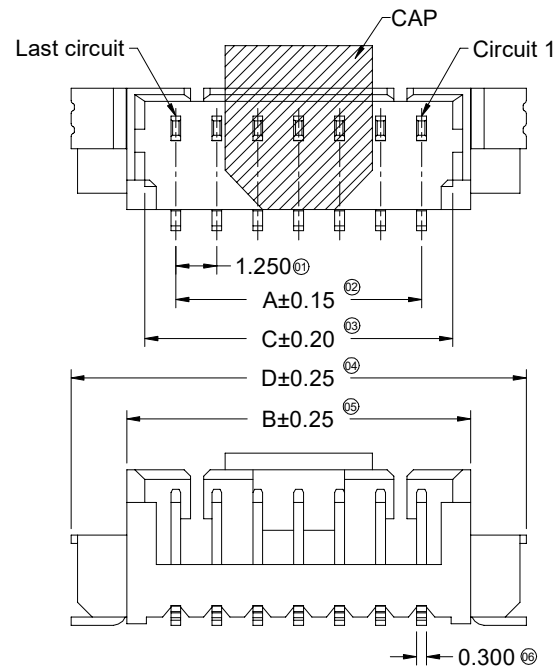
Poles	Dimensions(mm)			Poles	Dimensions(mm)		
	A	B	C		A	B	C
02	1.25	4.25	3.05	12	13.75	16.75	15.55
03	2.50	5.50	4.30	13	15.00	18.00	16.80
04	3.75	6.75	5.55	14	16.25	19.25	18.05
05	5.00	8.00	6.80	15	17.50	20.50	19.30
06	6.25	9.25	8.05	16	18.75	21.75	20.55
07	7.50	10.50	9.30	17	20.00	23.00	21.80
08	8.75	11.75	10.55	18	21.25	24.25	23.05
09	10.00	13.00	11.80	19	22.50	25.50	24.30
10	11.25	14.25	13.05	20	23.75	26.75	25.55
11	12.50	15.50	14.30				

2023/08/08	D	/	Update Drawing Frame	LXZ	Larry Yang	<b>GENERAL TOLERANCE</b> .X ±0.30 .XX ±0.20 .XXX ±0.10 X.° ±2° <b>PROJECT</b> 	<b>SMS 东莞市思索技术股份有限公司</b> Dongguan SESO Technology Co.,Ltd.				PART NO.				
2020/03/26	C	EN20190624002	Update Drawing Frame, The Same ECR And ECN No	Alan qin	Robing						9821WRS-XXX-XXSWXX-XY				
2019/06/24	B	EN20190624002	Modify the material of PIN to Phosphor Bronze	Hai Li	Robing		APPROVAL				TITLE				
DATE	REV	ECN NO.	DESCRIPTION	MODIFY	APPROVAL		Robing	Hai Li	Jack	2017/07/24	1.25mm Crimp Style Connectors				
										UNIT	SCALE	SHEET	REV	NUMBER	
										mm	1:1	1/1	D	A-007	



RoHS

This products can apply to the SESO Doc NO. QA-3-04-005 of Environmental&Material Management Rules



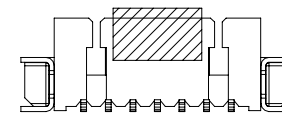
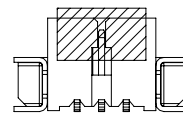
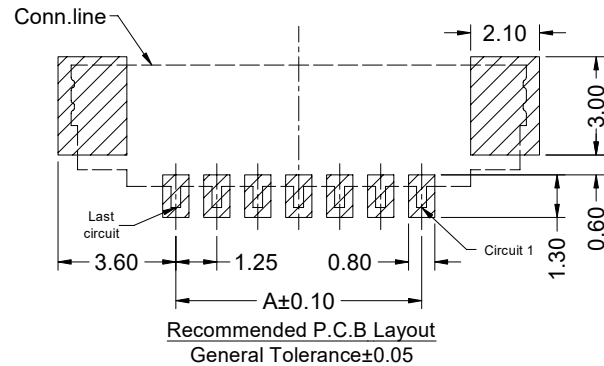
■ Specifications :

- Voltage rating: 125V AC / DC
- Current rating: 1A AC / DC
- Withstanding voltage: 250V AC/minute
- Temperature range: -25°C~+85°C
- Insulation resistance: ≥100MΩ
- Contact resistance: ≤20mΩ
- After environmental testing: ≤40mΩ

- Material(Pin): Phosphor Bronze
- Material(Solder Tabs): Brass
- Finish(Solder Tabs): Tin-Plated
- Mates With SESO Housing: 9821H

9821 W V S-XX A-LP SN XX

- ① Series No.
- ② Category: W-Wafer
- ③ Connector Type: V- Straight 180°
- ④ Mouting Type: S-SMT
- ⑤ Row No.-Pin No Per Row: XX-02P~16P
- ⑥ Special No.: A-All Ear Clip
- ⑦ Material: LP-LCP 94V-0
- ⑧ Planting Code: SN-Bright Tin
- ⑨ Color: Blank-Natural Color

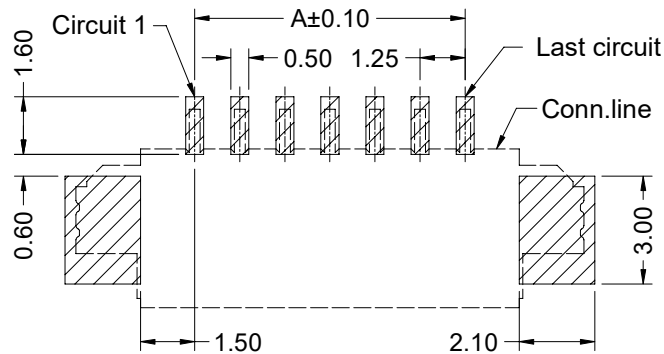
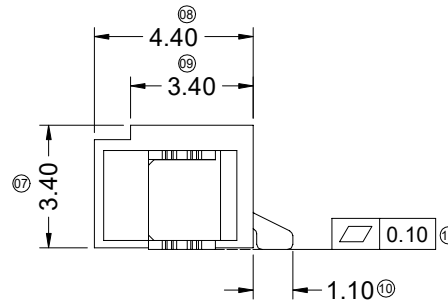
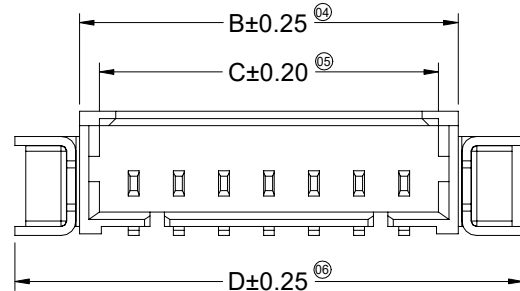
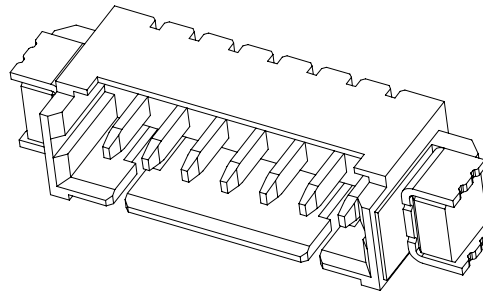
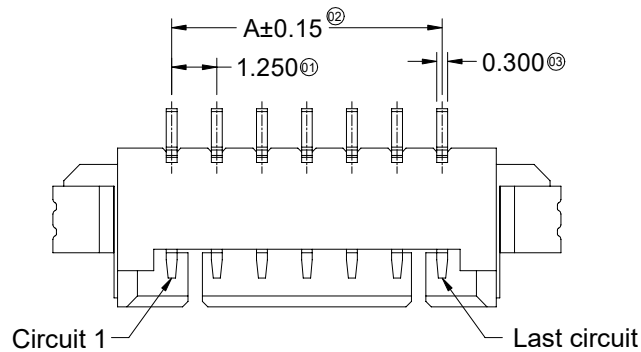


Poles	Dimensions(mm)				Poles	Dimensions(mm)			
	A	B	C	D		A	B	C	D
02	1.25	4.25	3.15	7.65	10	11.25	14.25	13.15	17.65
03	2.50	5.50	4.40	8.90	11	12.50	15.50	14.40	18.90
04	3.75	6.75	5.65	10.15	12	13.75	16.75	15.65	20.15
05	5.00	8.00	6.90	11.40	13	15.00	18.00	16.90	21.40
06	6.25	9.25	8.15	12.65	14	16.25	19.25	18.15	22.65
07	7.50	10.50	9.40	13.90	15	17.50	20.50	19.40	23.90
08	8.75	11.75	10.65	15.15	16	18.75	21.75	20.65	25.15
09	10.00	13.00	11.90	16.40					

2020/03/26	G	EN20200326001	Update Drawing Frame	Alan qin	Robing	<b>东莞市思索技术股份有限公司</b> Dongguan SESO Technology Co.,Ltd.	PART NO. 9821WVS-XXA-LPSN				
2015/06/19	F		Add Size "D"	Wuxiaotao	Bob Sun		TITLE 1.25mm Crimp Style Connectors				
2015/06/02	E	ER20150602001	Modify the CAP shape	sylvia	Bob Sun		APPROVAL	CHECK	DRAWN	DATE	
DATE	REV	ECN NO.	DESCRIPTION	MODIFY	APPROVAL		Robing	Jova Lau	Wuxiaotao	2014/05/13	
						PROJECT	UNIT	SCALE	SHEET	REV	NUMBER
							mm	1 : 1	1/1	G	A-084

RoHS

This products can apply to the SESO Doc NO. QA-3-04-005 of Environmental&Material Management Rules



Recommended P.C.B Layout  
General Tolerance±0.05



Specifications :

- Voltage rating: 125V AC / DC
- Current rating: 1A AC / DC
- Withstanding voltage: 250V AC/minute
- Temperature range: -25°C~+85°C
- Insulation resistance: ≥100MΩ
- Contact resistance: ≤20mΩ
- After environmental testing: ≤40mΩ

- Material(Pin): Phosphor Bronze
- Material(Solder Tabs): Brass
- Finish(Solder Tabs): Bright Tin
- Mates With SESO Housing: 9821H

9821 W R S-XX A-LP SN XX

① ② ③ ④ ⑤ ⑥ ⑦ ⑧ ⑨

- ① Series No.
- ② Category: W-wafer
- ③ Connector Type: R-Right Angle 90°
- ④ Mounting Type: S-SMT
- ⑤ Row No.-Pin No Per Row: XX-02P~16P
- ⑥ Special No.: A-All Ear Clip
- ⑦ Material: LP-LCP 94V-0
- ⑧ Planting Code: SN-Bright Tin
- ⑨ Color: Blank-Natural Color

Poles	Dimensions(mm)				Poles	Dimensions(mm)			
	A	B	C	D		A	B	C	D
02	1.25	4.25	3.15	7.65	10	11.25	14.25	13.15	17.65
03	2.50	5.50	4.40	8.90	11	12.50	15.50	14.40	18.90
04	3.75	6.75	5.65	10.15	12	13.75	16.75	15.65	20.15
05	5.00	8.00	6.90	11.40	13	15.00	18.00	16.90	21.40
06	6.25	9.25	8.15	12.65	14	16.25	19.25	18.15	22.65
07	7.50	10.50	9.40	13.90	15	17.50	20.50	19.40	23.90
08	8.75	11.75	10.65	15.15	16	18.75	21.75	20.65	25.15
09	10.00	13.00	11.90	16.40					

2020/03/26	F	EN20200326001	Update Drawing Frame	Alan qin	Robing	<b>GENERAL TOLERANCE</b> .X ±0.30 .XX ±0.20 .XXX ±0.10 X.° ±2° <b>PROJECT</b> 	<b>东莞市思索技术股份有限公司</b> Dongguan SESO Technology Co.,Ltd.				PART NO.				
2015/06/19	E		Add Size "D"	Wuxiaotao	Bob Sun						9821WRS-XXA-LPSNXX				
2015/04/25	D		Modify the drawing frame format	sylvia	Bob Sun						TITLE				
											1.25mm Crimp Style Connectors				
DATE	REV	ECN NO.	DESCRIPTION	MODIFY	APPROVAL	APPROVAL	CHECK	DRAWN	DATE	UNIT	SCALE	SHEET	REV	NUMBER	
						Robing	Jova Lau	Wuxiaotao	2014/05/21	mm	1:1	1/1	F	A-071	