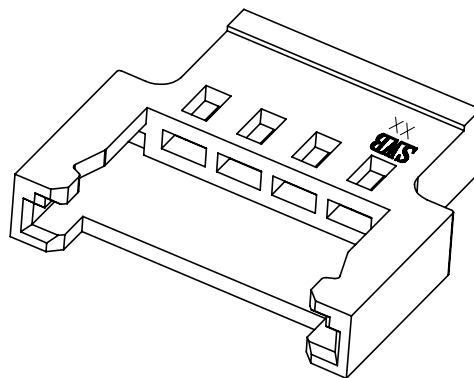
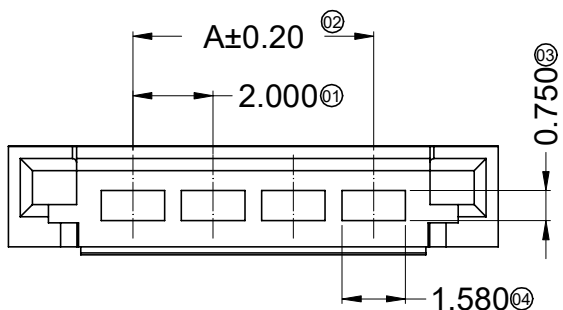


RoHS

This products can apply to the SESO Doc NO. QA-3-04-005 of Environmental&Material Management Rules



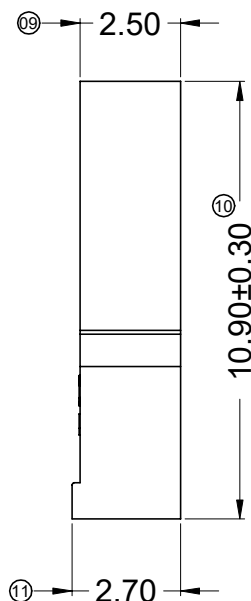
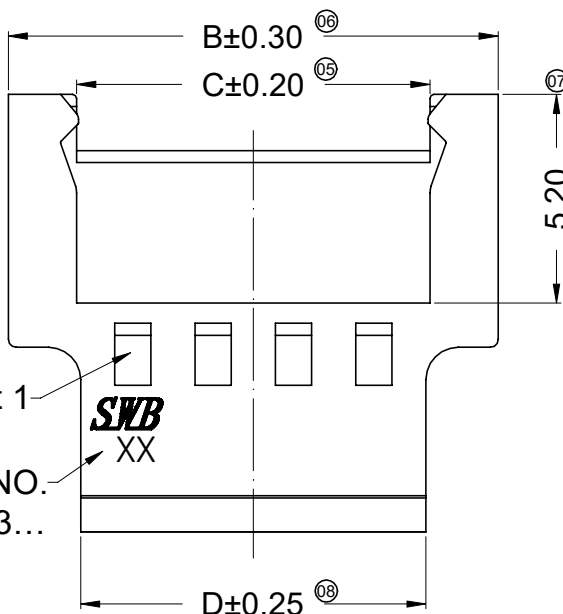
Specifications :

- Voltage rating: 125V AC / DC
- Current rating: 2A AC / DC
- Withstanding voltage: 500V AC/minute
- Temperature range: -25°C~+85°C
- Insulation resistance: ≥1000MΩ
- Contact resistance: ≤20mΩ
- After environmental testing: ≤30mΩ

9515 H F-XX XX-PT

① ② ③ ④ ⑤ ⑥

- ① Series No.
- ② Category: H-HSG
- ③ Appearance type: F- Female HSG
- ④ Row No.-Pin No.: XX-02P~20P
- ⑤ Plug the Pin & special No.:
- ⑥ Material: PT-PBT UL 94V-0



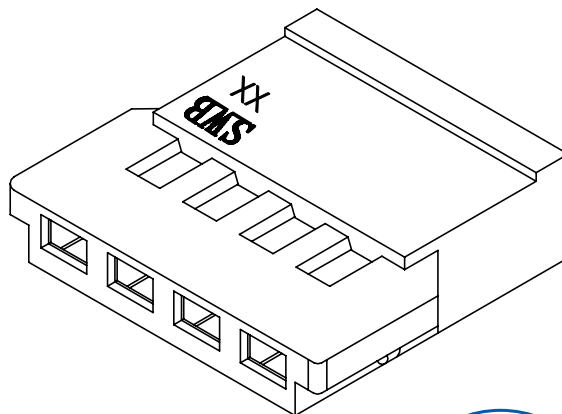
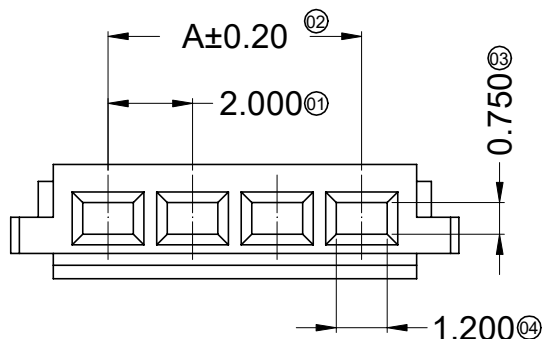
Poles	Dimensions (mm)				Poles	Dimensions (mm)			
	A	B	C	D		A	B	C	D
02	2.00	8.20	4.80	4.60	12	22.00	28.20	24.80	24.60
03	4.00	10.20	6.80	6.60	13	24.00	30.20	26.80	26.60
04	6.00	12.20	8.80	8.60	14	26.00	32.20	28.80	28.60
05	8.00	14.20	10.80	10.60	15	28.00	34.20	30.80	30.60
06	10.00	16.20	12.80	12.60	16	30.00	36.20	32.80	32.60
07	12.00	18.20	14.80	14.60	17	32.00	38.20	34.80	34.60
08	14.00	20.20	16.80	16.60	18	34.00	40.20	36.80	36.60
09	16.00	22.20	18.80	18.60	19	36.00	42.20	38.80	38.60
10	18.00	24.20	20.80	20.60	20	38.00	44.20	40.80	40.60
11	20.00	26.20	22.80	22.60					

9515HF-XX-PT	PBT UL 94V-0	9515TM	9515HM
PART NO	Material	Suitable SESO Terminal	Mates With SESO Housing

2023/08/04	G		Update Drawing Frame	Zhou	Yang	GENERAL TOLERANCE .X ±0.35 .XX ±0.25 .XXX±0.15 X.' ±2' PROJECT 	SMS 东莞市思索技术股份有限公司 Dongguan SESO Technology Co.,Ltd.				PART NO. 9515HF-XX-PT				
2020/07/21	F		Update Drawing Frame	Roy.Hu	Robing						TITLE 2.00mm Crimp Style Connectors				
2015/05/06	E		Modify drawing frame format	jian.He			APPROVAL	CHECK	DRAWN	DATE	UNIT	SCALE	SHEET	REV	NUMBER
DATE	REV	ECN NO.	DESCRIPTION	MODIFY	APPROVAL		Success	Sun Kaibao	Jova	2007/05/03	mm	1:1	1/1	G	CD

RoHS

This products can apply to the SESO Doc NO. QA-3-04-005 of Environmental&Material Management Rules



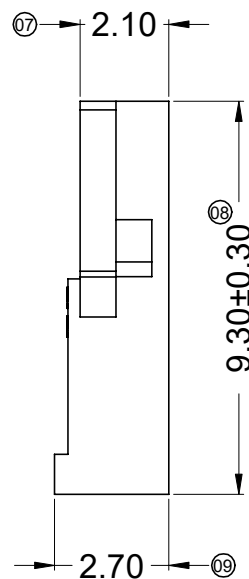
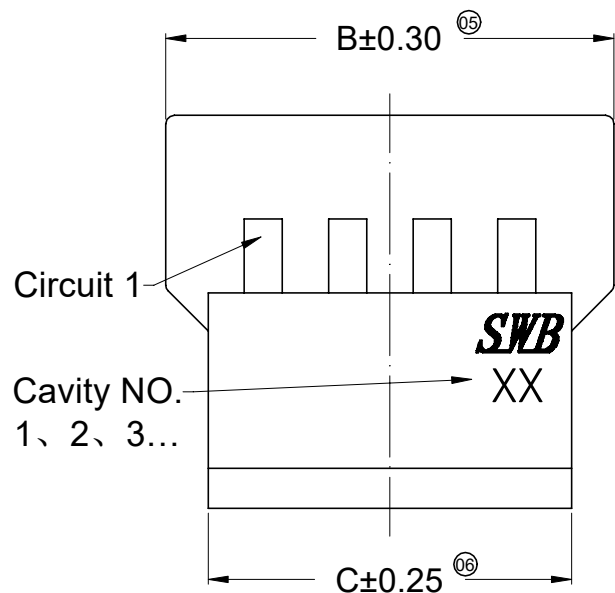
■ Specifications :

- Voltage rating: 125V AC / DC
- Current rating: 2A AC / DC
- Withstanding voltage: 500V AC/minute
- Temperature range: -25°C~+85°C
- Insulation resistance: ≥1000MΩ
- Contact resistance: ≤20mΩ
- After environmental testing: ≤30mΩ

9515 H M-XX XX-PT

① ② ③ ④ ⑤ ⑥

- ① Series No.
- ② Category: H-HSG
- ③ Appearance type: M-male HSG
- ④ Row No.-Pin No.: XX-02P~20P
- ⑤ Plug the Pin & special No.:
- ⑥ Materia:PT-PBT UL 94V-0



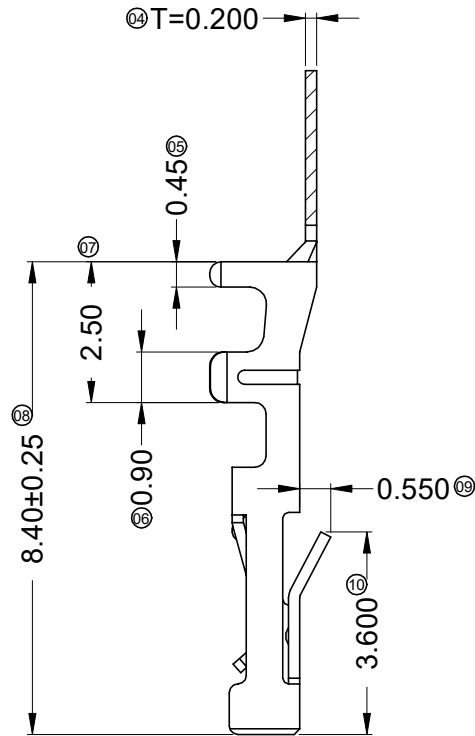
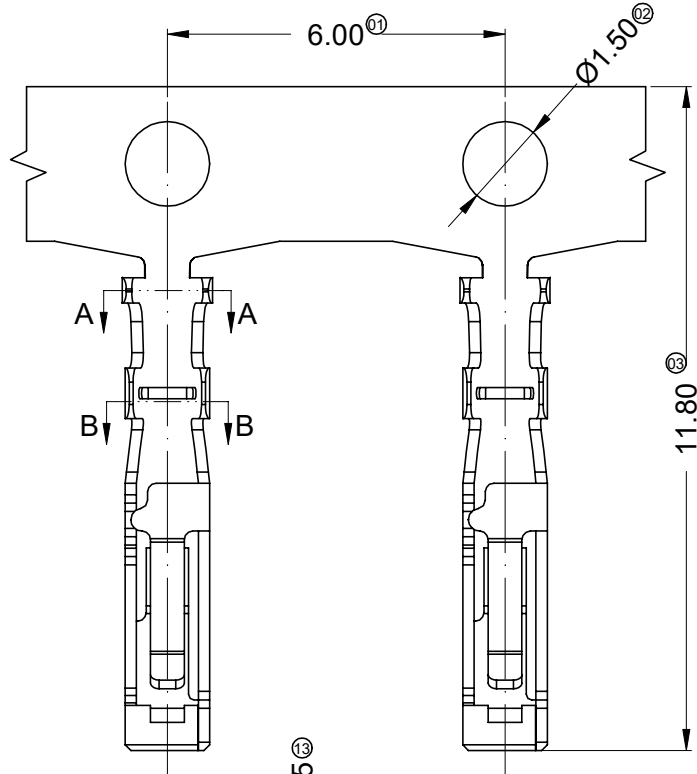
Poles	Dimensions (mm)			Poles	Dimensions (mm)		
	A	B	C		A	B	C
02	2.00	6.60	4.60	12	22.00	26.60	24.60
03	4.00	8.60	6.60	13	24.00	28.60	26.60
04	6.00	10.60	8.60	14	26.00	30.60	28.60
05	8.00	12.60	10.60	15	28.00	32.60	30.60
06	10.00	14.60	12.60	16	30.00	34.60	32.60
07	12.00	16.60	14.60	17	32.00	36.60	34.60
08	14.00	18.60	16.60	18	34.00	38.60	36.60
09	16.00	20.60	18.60	19	36.00	40.60	38.60
10	18.00	22.60	20.60	20	38.00	42.60	40.60
11	20.00	24.60	22.60				

9515HM-XX-PT	PBT UL 94V-0	9515TF	9515HF
PART NO	Material	Suitable SESO Terminal	Mates With SESO Housing

2023/08/04	G		Update Drawing Frame	Zhou	Yang	SESO 东莞市思索技术股份有限公司 Dongguan SESO Technology Co.,Ltd.	PART NO. 9515HM-XX-PT					
2020/07/21	F		Update Drawing Frame	Roy.Hu	Robing		APPROVAL CHECK DRAWN DATE Success Sun Kaibao Jova 2007/05/03	TITLE 2.00mm Crimp Style Connectors				
2015/05/06	E		Modify drawing frame format	jian.He				UNIT	SCALE	SHEET	REV	NUMBER
DATE	REV	ECN NO.	DESCRIPTION	MODIFY	APPROVAL			mm	1:1	1/1	G	CD

RoHS

This products can apply to the SESO Doc NO. QA-3-04-005 of Environmental&Material Management Rules

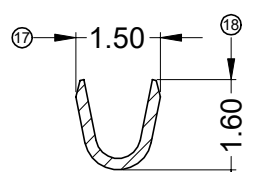
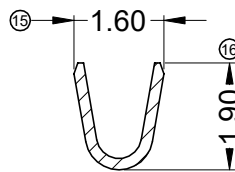
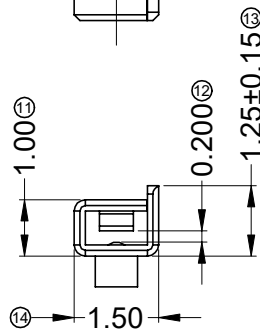


■ Specifications :

- Voltage rating: 125V AC / DC
- Current rating: 2A AC / DC
- Withstanding voltage: 500V AC/minute
- Temperature range: -25°C~+85°C
- Insulation resistance: ≥1000MΩ
- Contact resistance: ≤20mΩ
- After environmental testing: ≤30mΩ

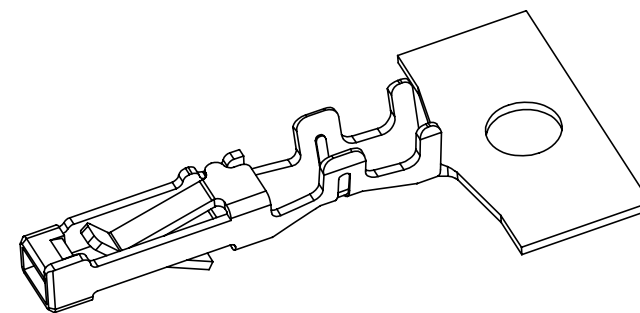
9515 T F-P SN X - X
① ② ③ ④ ⑤ ⑥ ⑦

- ① Series Number
- ② Category: T-terminal
- ③ Shape: F-Female
- ④ Material: P-Phosphor bronze
- ⑤ Plating style: SN-Bright tin plating 70u"
SN1-Bright tin plating 100u"
G01-Contact Gold flash
- ⑥ Plating method: Blank-Stamping before plating
- ⑦ Mold No./Mark/Special No. :



SECTION: A-A
SCALE: 1:1

SECTION: B-B
SCALE: 1:1

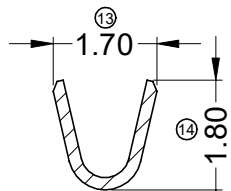
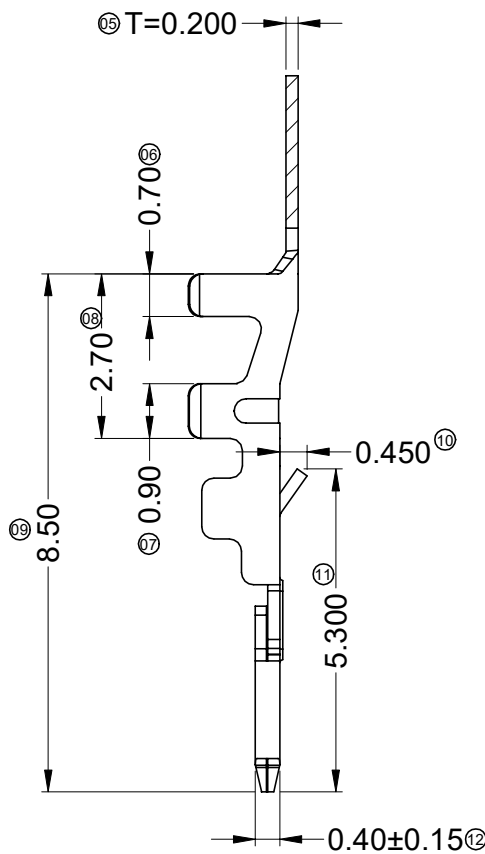
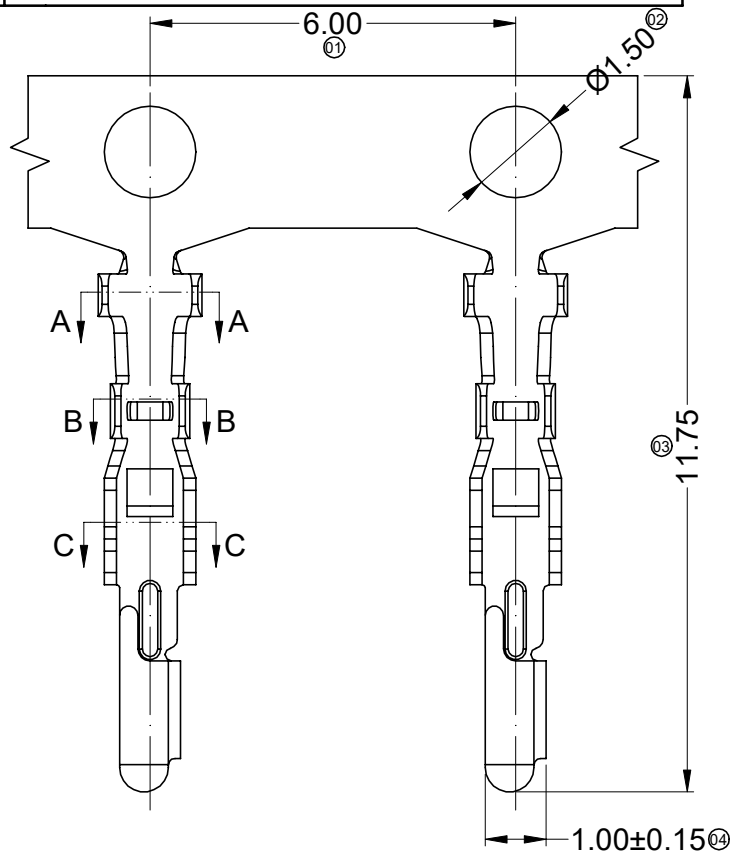


9515TF-PG01				Stamping Before Plating:30u" MIN. Ni; Contact Gold flash	
9515TF-PSN1	Phosphor Bronze	AWG#24-28	1.40mm(Max)	Stamping Before Plating:50u" MIN. Ni; 100u" MIN.Sn	9515HM
9515TF-PSN				Stamping Before Plating:30u" MIN. Ni; 70u" MIN.Sn	
PART NO	Material	Wire Range	Insulation O.D.	Finish	Used In SESO Housing

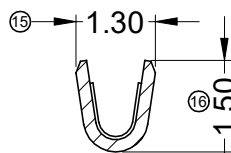
					GENERAL TOLERANCE				PART NO. 9515TF-PSN						
					.X ±0.35				东莞市思索技术股份有限公司 Dongguan SESO Technology Co.,Ltd.						
					.XX ±0.25										
					.XXX±0.15				TITLE 2.00mm Crimp Style Connectors						
					X.' ±2'				APPROVAL CHECK DRAWN DATE						
					PROJECT				Success Jova jian.He 2015/07/15						
2020/07/28	C		Update Drawing Frame	Zhou	Yang						UNIT	SCALE	SHEET	REV	NUMBER
2020/07/28	B		Update Drawing Frame	Roy.Hu	Robing						mm	1:1	1/1	C	CD
DATE	REV	ECN NO.	DESCRIPTION	MODIFY	APPROVAL										

RoHS

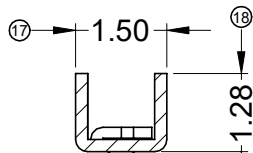
This products can apply to the SESO Doc NO. QA-3-04-005 of Environmental&Material Management Rules



SECTION: A-A
SCALE: 1:1



SECTION: B-B
SCALE: 1:1



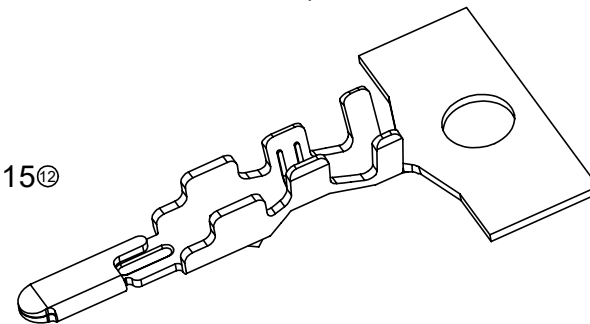
SECTION: C-C
SCALE: 1:1

Specifications :

- Voltage rating: 125V AC / DC
- Current rating: 2A AC / DC
- Withstanding voltage: 500V AC/minute
- Temperature range: -25°C~+85°C
- Insulation resistance: ≥1000MΩ
- Contact resistance: ≤20mΩ
- After environmental testing: ≤30mΩ

9515 T M-P SN X - X
① ② ③ ④ ⑤ ⑥ ⑦

- ① Series Number
- ② Category: T-terminal
- ③ Shape: M-Male
- ④ Material: P-Phosphor bronze
- ⑤ Plating style: SN-Bright tin plating 70u"
SN1-Bright tin plating 100u"
G01-Contact Gold flash
- ⑥ Plating method: Blank-Stamping before plating
- ⑦ Mold No./Mark/Special No. :



9515TM-PG01				Stamping Before Plating:30u" MIN. Ni; Contact Gold flash	9515HF
9515TM-PSN1	Phosphor Bronze	AWG#24-28	1.40mm(Max)	Stamping Before Plating:50u" MIN. Ni; 100u" MIN.Sn	
9515TM-PSN				Stamping Before Plating:30u" MIN. Ni; 70u" MIN.Sn	
PART NO	Material	Wire Range	Insulation O.D.	Finish	Used In SESO Housing

DATE	REV	ECN NO.	DESCRIPTION	MODIFY	APPROVAL
2023/08/04	C		Update Drawing Frame	Zhou	Yang
2020/07/28	B		Update Drawing Frame	Roy.Hu	Robing

GENERAL TOLERANCE	
.X	±0.35
.XX	±0.25
.XXX	±0.15
.X.' ±2'	
PROJECT	

SMS 东莞市思索技术股份有限公司
Dongguan SESO Technology Co.,Ltd.

APPROVAL	CHECK	DRAWN	DATE
Success	Jova	jian.He	2015/07/15

PART NO. 9515TM-PSN				
TITLE 2.00mm Crimp Style Connectors				
UNIT	SCALE	SHEET	REV	NUMBER
mm	1:1	1/1	C	CD