

## Crimp specification

Type Document	Crimp Specification	Revised /Edition	A
Date Issued:	2020/11/23	Data Revised:	2020/11/23
Subject: 9357TF0-B02S0-01F 4.20mm Pitch Terminal crimp specification			Issued By: Engineering Dept.

### Description:

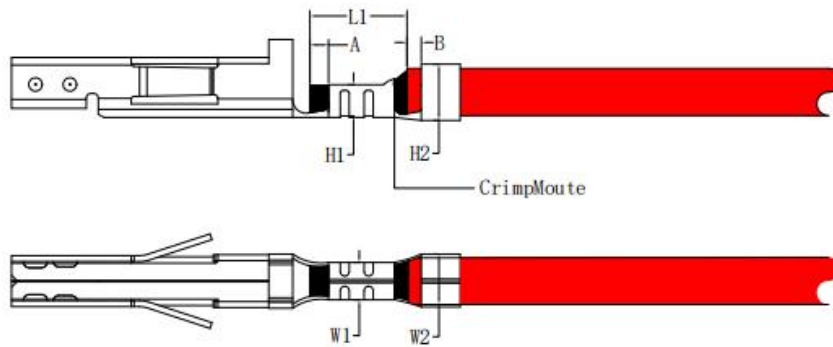
Height and width of conductor crimp core should be set as required.

(conductor crimp height and width of conductor barrel)

According to the external diameter and the type of electric wire, the width of crimped sheath shall be adjusted, wire won't be easily taken off from contact nor too much crimped.

(Crimped width of insulation barrel)

### Position Graph:



### Note:

1. Conductor crimp width. W1
2. Conductor crimp height. H1
3. Insulator crimp width. W2
4. Insulator crimp height. H2
5. Conductor wire shall be dimension long (mm) out A.
6. Naked part of sheathed wire must be located in the vicinity of center B.
7. The Crimp mouth must be equipped like bell.

## Crimp specification

Type Document	Crimp Specification	Revised /Edition	A
Date Issued:	2020/11/23	Data Revised:	2020/11/23
Subject: 9357TF0-B02S0-01F 4.20mm Pitch Terminal crimp specification			Issued By: Engineering Dept.

Requirement:

Subject:UL1061 or equivalent type electric wire					
AWG#	Conductor (mm <sup>2</sup> )	Insulation Diameter	Insulator skins length (Dim .B) mm	Dim. L1 (mm) out	
#20~#18	0.519mm <sup>2</sup> ~0.824mm <sup>2</sup>	1.45mm~1.70mm	0.30~0.50mm	3.00~3.20mm	
Wire Gauge (AWG#)	Conductor Crimp Area		Insulator Crimp Area		Terminal Tensile Strength
	Width (W1)	Height(H1)	Width (W2)	Height(H2)	
#20	1.88±0.03mm	0.94±0.03mm	2.65±0.05mm	2.10±0.05mm	5.90kgf
#18		1.08±0.03mm		2.20±0.05mm	9.10kgf

Remarks

Unlike equipment and crimp reel molds skill facility or not shall be difference to result in dissimilar.

Signature:     *JACK*     ENG  
SWB CONNECTOR CO.,LTD.



## Crimp specification

Type Document	Crimp Specification	Revised /Edition	A
Date Issued:	2020/11/23	Data Revised:	2020/11/23
Subject: 9357TF0-B02S0L-01F 4.20mm Pitch Terminal crimp specification			Issued By: Engineering Dept.

### Description:

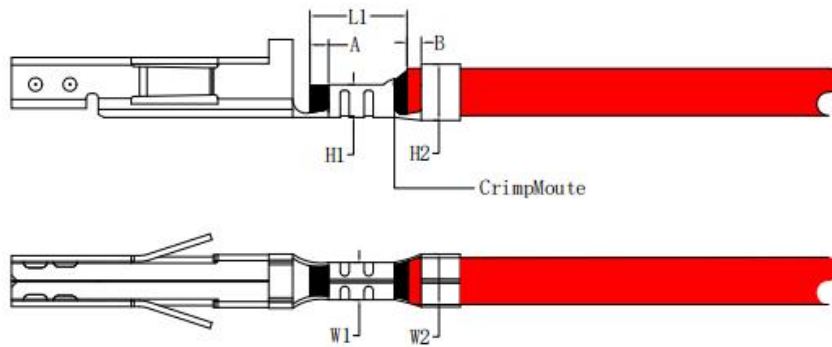
Height and width of conductor crimp core should be set as required.

(conductor crimp height and width of conductor barrel)

According to the external diameter and the type of electric wire, the width of crimped sheath shall be adjusted, wire won't be easily taken off from contact nor too much crimped.

(Crimped width of insulation barrel)

### Position Graph:



### Note:

1. Conductor crimp width. W1
2. Conductor crimp height. H1
3. Insulator crimp width. W2
4. Insulator crimp height. H2
5. Conductor wire shall be dimension long (mm) out A.
6. Naked part of sheathed wire must be located in the vicinity of center B.
7. The Crimp mouth must be equipped like bell.

## Crimp specification

Type Document	Crimp Specification	Revised /Edition	A
Date Issued:	2020/11/23	Data Revised:	2020/11/23
Subject: 9357TF0-B02S0L-01F 4.20mm Pitch Terminal crimp specification			Issued By: Engineering Dept.

Requirement:

Subject:UL1061 or equivalent type electric wire					
AWG#	Conductor (mm <sup>2</sup> )	Insulation Diameter	Insulator skins length (Dim .B) mm	Dim. L1 (mm) out	
#26~#24	0.128mm <sup>2</sup> ~0.205mm <sup>2</sup>	1.00mm~1.10mm	0.30~0.50mm	2.90~3.10mm	
Wire Gauge (AWG#)	Conductor Crimp Area		Insulator Crimp Area		Terminal Tensile Strength
	Width (W1)	Height(H1)	Width (W2)	Height(H2)	
#26	1.14±0.03mm	0.64±0.03mm	1.65±0.05mm	1.50±0.05mm	1.40kgf
#24		0.67±0.03mm		1.60±0.05mm	2.30kgf

Remarks

Unlike equipment and crimp reel molds skill facility or not shall be difference to result in dissimilar.

Signature:     *JACK*     ENG  
SWB CONNECTOR CO.,LTD.



## Crimp specification

Type Document	Crimp Specification	Revised /Edition	A
Date Issued:	2020/11/23	Data Revised:	2020/11/23
Subject: 9357TM-BSN-07 4.20mm Pitch Terminal crimp specification			Issued By: Engineering Dept.

### Description:

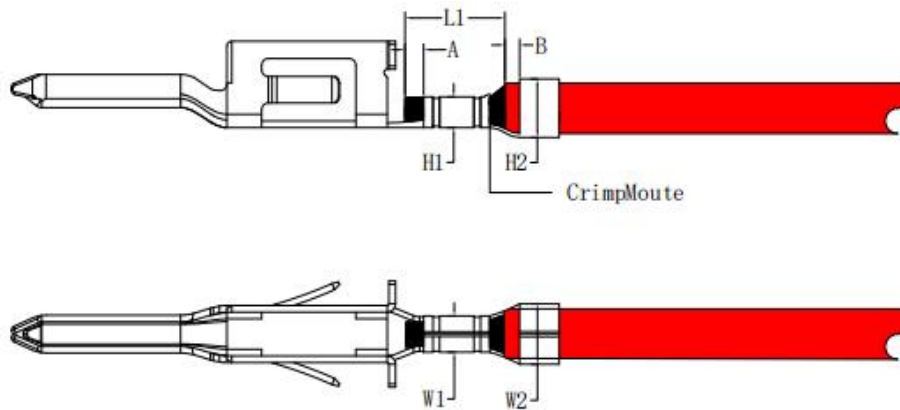
Height and width of conductor crimp core should be set as required.

(conductor crimp height and width of conductor barrel)

According to the external diameter and the type of electric wire, the width of crimped sheath shall be adjusted, wire won't be easily taken off from contact nor too much crimped.

(Crimped width of insulation barrel)

### Position Graph:



### Note:

1. Conductor crimp width. W1
2. Conductor crimp height. H1
3. Insulator crimp width. W2
4. Insulator crimp height. H2
5. Conductor wire shall be dimension long (mm) out A.
6. Naked part of sheathed wire must be located in the vicinity of center B.
7. The Crimp mouth must be equipped like bell.



## Crimp specification

Type Document	Crimp Specification	Revised /Edition	A
Date Issued:	2020/11/23	Data Revised:	2020/11/23
Subject: 9357TM-BSN-07 4.20mm Pitch Terminal crimp specification			Issued By: Engineering Dept.

Requirement:

Subject:UL1061 or equivalent type electric wire					
AWG#	Conductor (mm <sup>2</sup> )	Insulation Diameter	Insulator skins length (Dim .B) mm	Dim. L1 (mm) out	
#20	0.519mm <sup>2</sup>	1.45mm	0.40~0.60mm	2.80~3.00mm	
Wire Gauge (AWG#)	Conductor Crimp Area		Insulator Crimp Area		Terminal Tensile Strength
	Width (W1)	Height(H1)	Width (W2)	Height(H2)	
#20	1.87±0.03mm	0.91±0.03mm	2.70±0.05mm	2.05±0.05mm	5.90kgf

Remarks

Unlike equipment and crimp reel molds skill facility or not shall be difference to result in dissimilar.

**Signature:**     *JACK*     ENG  
SWB CONNECTOR CO.,LTD.

## Crimp specification

Type Document	Crimp Specification	Revised /Edition	A
Date Issued:	2020/11/23	Data Revised:	2020/11/23
Subject: 9357TM-BSN-H 4.20mm Pitch Terminal crimp specification			Issued By: Engineering Dept.

### Description:

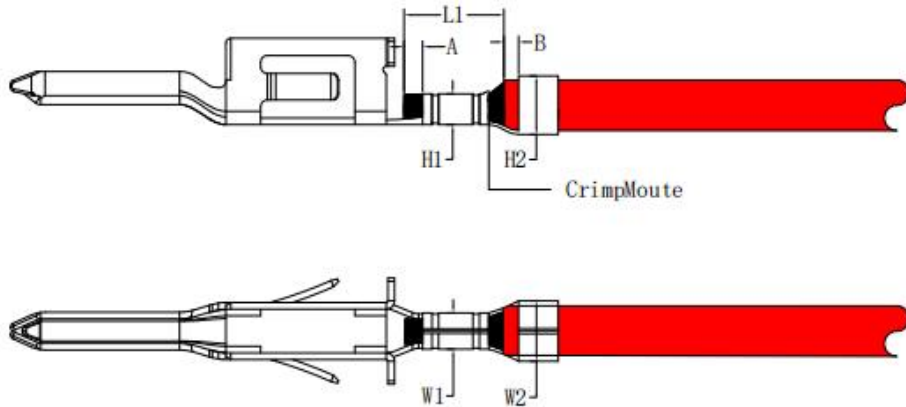
Height and width of conductor crimp core should be set as required.

(conductor crimp height and width of conductor barrel)

According to the external diameter and the type of electric wire, the width of crimped sheath shall be adjusted, wire won't be easily taken off from contact nor too much crimped.

(Crimped width of insulation barrel)

### Position Graph:



### Note:

1. Conductor crimp width. W1
2. Conductor crimp height. H1
3. Insulator crimp width. W2
4. Insulator crimp height. H2
5. Conductor wire shall be dimension long (mm) out A.
6. Naked part of sheathed wire must be located in the vicinity of center B.
7. The Crimp mouth must be equipped like bell.

## Crimp specification

Type Document	Crimp Specification	Revised /Edition	A
Date Issued:	2020/11/23	Data Revised:	2020/11/23
Subject: 9357TM-BSN-H 4.20mm Pitch Terminal crimp specification			Issued By: Engineering Dept.

Requirement:

Subject:UL1061 or equivalent type electric wire					
AWG#	Conductor (mm <sup>2</sup> )	Insulation Diameter	Insulator skins length (Dim .B) mm	Dim. L1 (mm) out	
#20~#18	0.519mm <sup>2</sup> ~0.824mm <sup>2</sup>	1.45mm~1.70mm	0.50~0.70mm	3.00~3.20mm	
Wire Gauge (AWG#)	Conductor Crimp Area		Insulator Crimp Area		Terminal Tensile Strength
	Width (W1)	Height(H1)	Width (W2)	Height(H2)	
#20	1.92±0.03mm	1.02±0.03mm	2.60±0.05mm	2.15±0.05mm	5.90kgf
#18		1.16±0.03mm		2.25±0.05mm	9.10kgf

Remarks

Unlike equipment and crimp reel molds skill facility or not shall be difference to result in dissimilar.

Signature:     *JACK*     ENG  
SWB CONNECTOR CO.,LTD.





## Crimp specification

Type Document	Crimp Specification	Revised /Edition	A
Date Issued:	2020/11/23	Data Revised:	2020/11/23
Subject: 9357TM-BSN-L 4.20mm Pitch Terminal crimp specification			Issued By: Engineering Dept.

### Description:

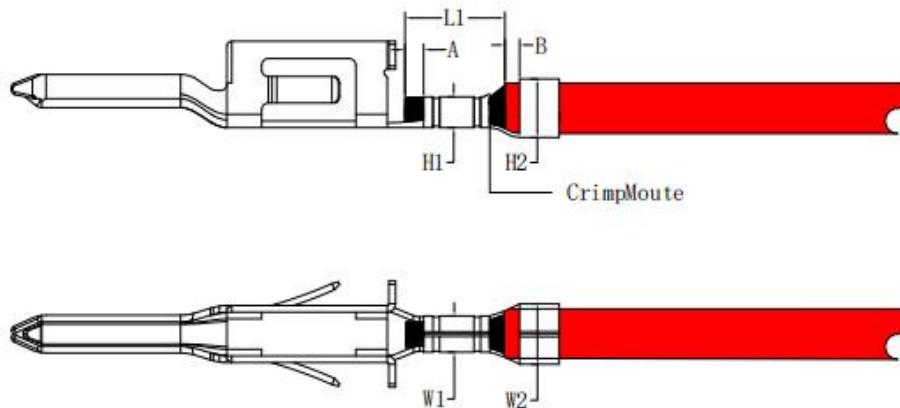
Height and width of conductor crimp core should be set as required.

(conductor crimp height and width of conductor barrel)

According to the external diameter and the type of electric wire, the width of crimped sheath shall be adjusted, wire won't be easily taken off from contact nor too much crimped.

(Crimped width of insulation barrel)

### Position Graph:



### Note:

1. Conductor crimp width. W1
2. Conductor crimp height. H1
3. Insulator crimp width. W2
4. Insulator crimp height. H2
5. Conductor wire shall be dimension long (mm) out A.
6. Naked part of sheathed wire must be located in the vicinity of center B.
7. The Crimp mouth must be equipped like bell.

## Crimp specification

Type Document	Crimp Specification	Revised /Edition	A
Date Issued:	2020/11/23	Data Revised:	2020/11/23
Subject: 9357TM-BSN-L 4.20mm Pitch Terminal crimp specification			Issued By: Engineering Dept.

Requirement:

Subject:UL1061 or equivalent type electric wire					
AWG#	Conductor (mm <sup>2</sup> )	Insulation Diameter	Insulator skins length (Dim .B) mm	Dim. L1 (mm) out	
#28~#26	0.08mm <sup>2</sup> ~0.128mm <sup>2</sup>	0.90mm~1.00mm	0.50~0.70mm	3.00~3.20mm	
Wire Gauge (AWG#)	Conductor Crimp Area		Insulator Crimp Area		Terminal Tensile Strength
	Width (W1)	Height(H1)	Width (W2)	Height(H2)	
#28	1.14±0.03mm	0.60±0.03mm	1.70±0.05mm	1.45±0.05mm	0.90kgf
#26		0.63±0.03mm		1.60±0.05mm	1.40kgf

Remarks

Unlike equipment and crimp reel molds skill facility or not shall be difference to result in dissimilar.

Signature:     *JACK*     ENG  
SWB CONNECTOR CO.,LTD.

## Crimp specification

Type Document	Crimp Specification	Revised /Edition	A
Date Issued:	2022/02/18	Data Revised:	2022/02/18
Subject: 9357TM-PSN 4.20mm Pitch Terminal crimp specification			Issued By: Engineering Dept.

### Description:

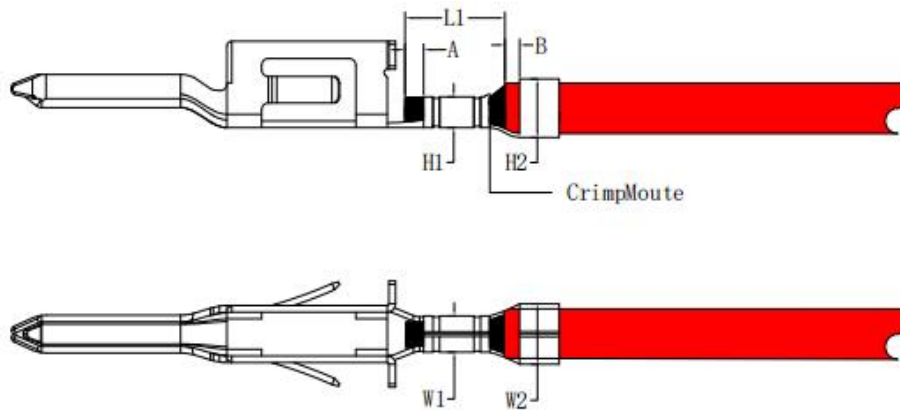
Height and width of conductor crimp core should be set as required.

(conductor crimp height and width of conductor barrel)

According to the external diameter and the type of electric wire, the width of crimped sheath shall be adjusted, wire won't be easily taken off from contact nor too much crimped.

(Crimped width of insulation barrel)

### Position Graph:



### Note:

1. Conductor crimp width. W1
2. Conductor crimp height. H1
3. Insulator crimp width. W2
4. Insulator crimp height. H2
5. Conductor wire shall be dimension long (mm) out A.
6. Naked part of sheathed wire must be located in the vicinity of center B.
7. The Crimp mouth must be equipped like bell.

## Crimp specification

Type Document	Crimp Specification	Revised /Edition	A
Date Issued:	2022/02/18	Data Revised:	2022/02/18
Subject: 9357TM-PSN 4.20mm Pitch Terminal crimp specification			Issued By: Engineering Dept.

Requirement:

Subject:UL1061 or equivalent type electric wire					
AWG#	Conductor (mm <sup>2</sup> )	Insulation Diameter	Insulator skins length (Dim .B) mm	Dim. L1 (mm) out	
#22~#20	0.325mm <sup>2</sup> ~0.519mm <sup>2</sup>	1.25mm~1.45mm	0.40~0.60mm	2.60~2.80mm	
Wire Gauge (AWG#)	Conductor Crimp Area		Insulator Crimp Area		Terminal Tensile Strength
	Width (W1)	Height(H1)	Width (W2)	Height(H2)	
#22	1.46±0.03mm	0.86±0.03mm	1.80±0.05mm	1.80±0.05mm	3.60kgf
#20		0.91±0.03mm		1.95±0.05mm	5.90kgf

Remarks

Unlike equipment and crimp reel molds skill facility or not shall be difference to result in dissimilar.

Signature:     *JACK*     ENG  
SWB CONNECTOR CO.,LTD.

## Crimp specification

Type Document	Crimp Specification	Revised /Edition	A
Date Issued:	2022/02/18	Data Revised:	2022/02/18
Subject: 9357TM-PSN-H 4.20mm Pitch Terminal crimp specification			Issued By: Engineering Dept.

### Description:

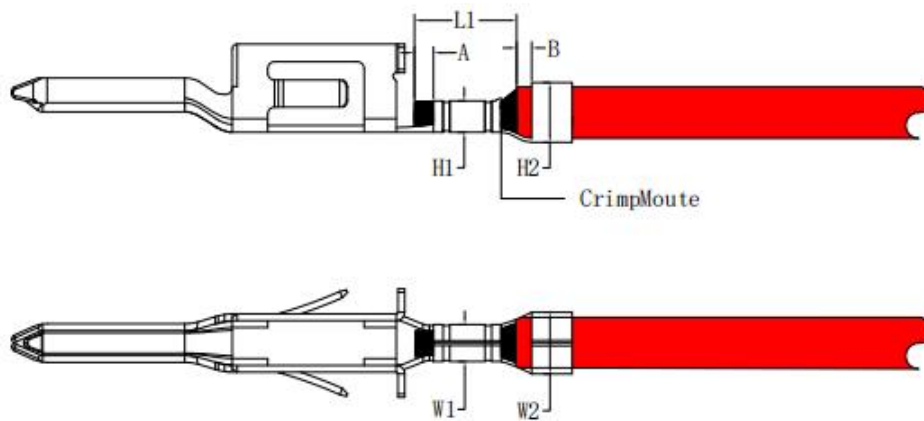
Height and width of conductor crimp core should be set as required.

(conductor crimp height and width of conductor barrel)

According to the external diameter and the type of electric wire, the width of crimped sheath shall be adjusted, wire won't be easily taken off from contact nor too much crimped.

(Crimped width of insulation barrel)

### Position Graph:



### Note:

1. Conductor crimp width. W1
2. Conductor crimp height. H1
3. Insulator crimp width. W2
4. Insulator crimp height. H2
5. Conductor wire shall be dimension long (mm) out A.
6. Naked part of sheathed wire must be located in the vicinity of center B.
7. The Crimp mouth must be equipped like bell.

## Crimp specification

Type Document	Crimp Specification	Revised /Edition	A
Date Issued:	2022/02/18	Data Revised:	2022/02/18
Subject: 9357TM-PSN-H 4.20mm Pitch Terminal crimp specification			Issued By: Engineering Dept.

Requirement:

Subject:UL1061 or equivalent type electric wire					
AWG#	Conductor (mm <sup>2</sup> )	Insulation Diameter	Insulator skins length (Dim .B) mm	Dim. L1 (mm) out	
#18~#16	0.824mm <sup>2</sup> ~1.307mm <sup>2</sup>	1.80mm~2.10mm	0.40~0.60mm	2.60~2.80mm	
Wire Gauge (AWG#)	Conductor Crimp Area		Insulator Crimp Area		Terminal Tensile Strength
	Width (W1)	Height(H1)	Width (W2)	Height(H2)	
#18	1.95±0.03mm	1.12±0.03mm	2.40±0.05mm	2.25±0.05mm	9.10kgf
#16		1.20±0.03mm		2.50±0.05mm	13.60kgf

Remarks

Unlike equipment and crimp reel molds skill facility or not shall be difference to result in dissimilar.

Signature:           *JACK*           ENG  
SWB CONNECTOR CO.,LTD.

## Crimp specification

Type Document	Crimp Specification	Revised /Edition	A
Date Issued:	2022/02/18	Data Revised:	2022/02/18
Subject: 9357TM-PSN-L 4.20mm Pitch Terminal crimp specification			Issued By: Engineering Dept.

### Description:

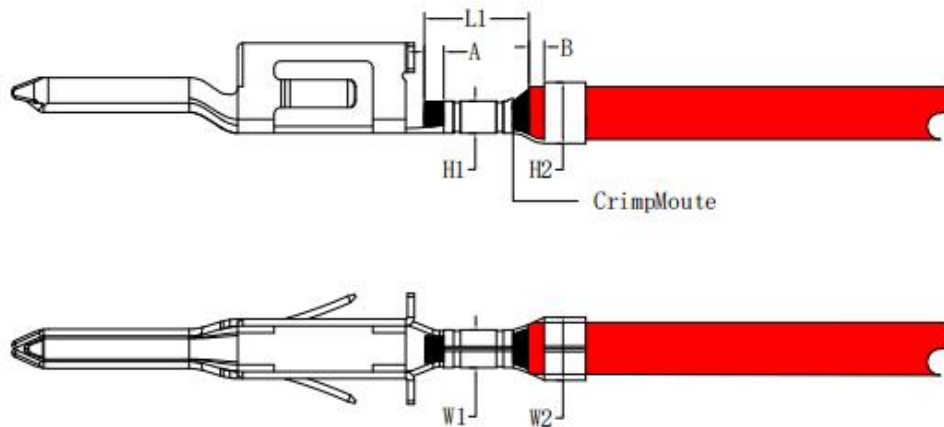
Height and width of conductor crimp core should be set as required.

(conductor crimp height and width of conductor barrel)

According to the external diameter and the type of electric wire, the width of crimped sheath shall be adjusted, wire won't be easily taken off from contact nor too much crimped.

(Crimped width of insulation barrel)

### Position Graph:



### Note:

1. Conductor crimp width. W1
2. Conductor crimp height. H1
3. Insulator crimp width. W2
4. Insulator crimp height. H2
5. Conductor wire shall be dimension long (mm) out A.
6. Naked part of sheathed wire must be located in the vicinity of center B.
7. The Crimp mouth must be equipped like bell.

## Crimp specification

Type Document	Crimp Specification	Revised /Edition	A
Date Issued:	2022/02/18	Data Revised:	2022/02/18
Subject: 9357TM-PSN-L 4.20mm Pitch Terminal crimp specification			Issued By: Engineering Dept.

Requirement:

Subject:UL1061 or equivalent type electric wire					
AWG#	Conductor (mm <sup>2</sup> )	Insulation Diameter	Insulator skins length (Dim .B) mm	Dim. L1 (mm) out	
#26~#24	0.128mm <sup>2</sup> ~0.205mm <sup>2</sup>	1.00mm~1.10mm	0.40~0.60mm	2.60~2.80mm	
Wire Gauge (AWG#)	Conductor Crimp Area		Insulator Crimp Area		Terminal Tensile Strength
	Width (W1)	Height(H1)	Width (W2)	Height(H2)	
#26	1.15±0.03mm	0.65±0.03mm	1.75±0.05mm	1.60±0.05mm	1.40kgf
#24		0.68±0.03mm		1.70±0.05mm	2.30kgf

Remarks

Unlike equipment and crimp reel molds skill facility or not shall be difference to result in dissimilar.

Signature:     *JACK*     ENG  
SWB CONNECTOR CO.,LTD.