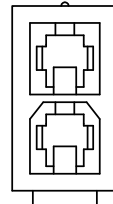
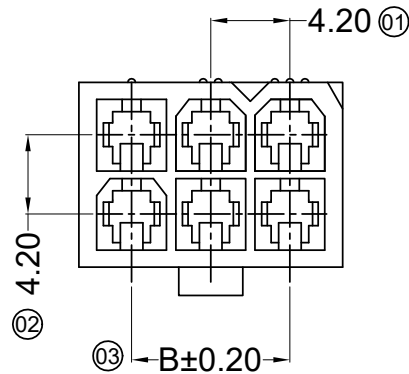
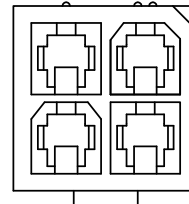


RoHS

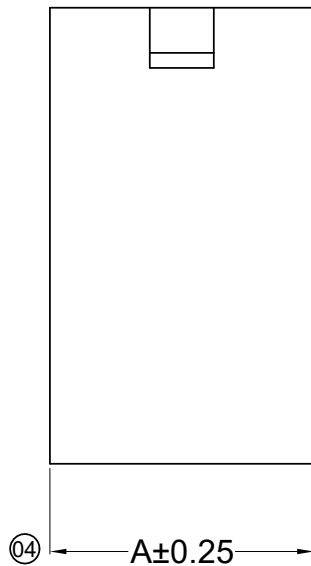
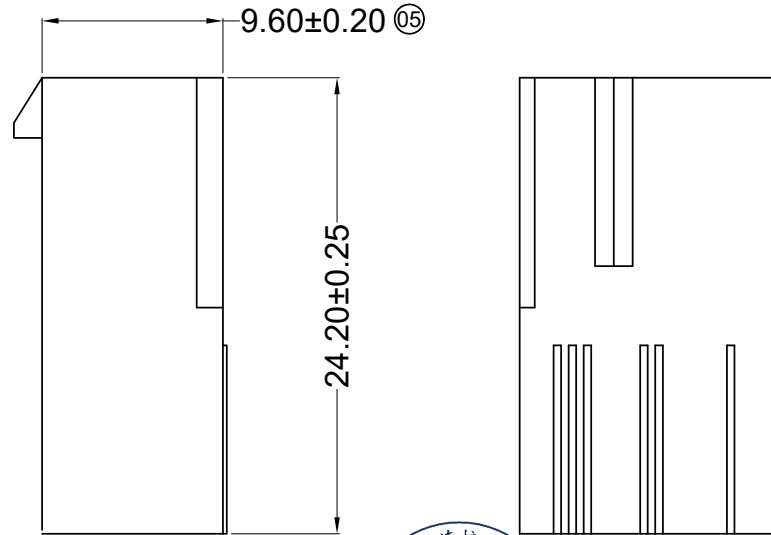
This products can apply to the SWB Doc NO. QA-3-04-005 of Environmental&Material Management Rules



2X1P



2X2P



■ Specifications :

- Voltage rating: 600V AC / DC
- Current rating: 7A AC / DC
- Withstanding voltage: 1500V AC/minute
- Temperature range: -25°C~+85°C
- Insulation resistance: ≥1000MΩ
- Contact resistance: ≤10mΩ
- After environmental testing: ≤20mΩ

9357 H F - 2xXX - N0 N B R 02 F
 ① ② ③ ④ ⑤ ⑥ ⑦ ⑧ ⑨ ⑩

- ① Series No.
- ② Category: H-Housing
- ③ Welding Board Angle: F-Female HSG
- ④ Row No.-Pin No.: 2xXX-2*01P~2*12P
- ⑤ Material: N0-PA66 UL94V-0 ;
- ⑥ Color: N - Natural Color
- ⑦ Packing: B-Bag
- ⑧ Green code: R-Rohs
- ⑨ Water code: 02
- ⑩ Special code :F----Other Connectors



Circuits	Dim:A	Dim:B	Circuits	Dim:A	Dim:B
2x1	5.60		2x7	30.80	25.20
2x2	9.80	4.20	2x8	35.00	29.40
2x3	14.00	8.40	2x9	39.20	33.60
2x4	18.20	12.60	2x10	43.40	37.80
2x5	22.40	16.80	2x11	47.60	42.00
2x6	26.60	21.00	2x12	51.80	46.20

DATE	REV	ECN NO	DESCRIPTION	MODIFY	APPROVAL	PROJECT	APPROVAL	CHECK	DRAWN	DATE	PART NO. 9357HF-2xXX-N0NBR02F				
2020/03/26	B	EN20200326002	Update Drawing Frame	Zeng	Robing	APPROVAL	Robing	Zeng	Joker	2019/07/19	TITLE 4.20 mm Crimp Style Connectors				
											UNIT	SCALE	SHEET	REV	NUMBER
											mm	1:1	1/1	B	A-022



东莞市思索连接器有限公司

SWB CONNECTORS CO.,LTD

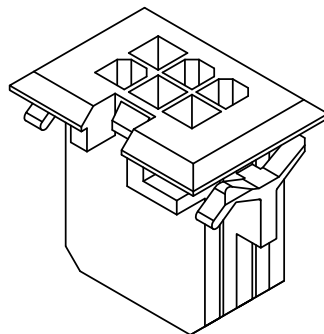
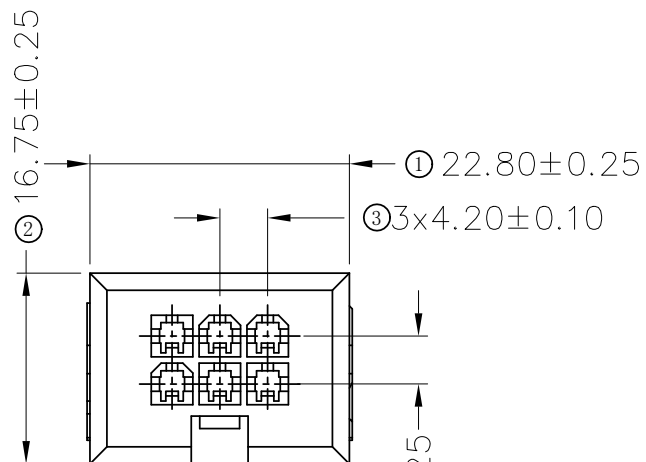
PART NO. 9357HF-2xXX-N0NBR02F

TITLE 4.20 mm Crimp Style Connectors

UNIT: mm, SCALE: 1:1, SHEET: 1/1, REV: B, NUMBER: A-022

RoHS

This products can apply to the SWB Doc NO. QA-3-04-005 of Environmental&Material Management Rules



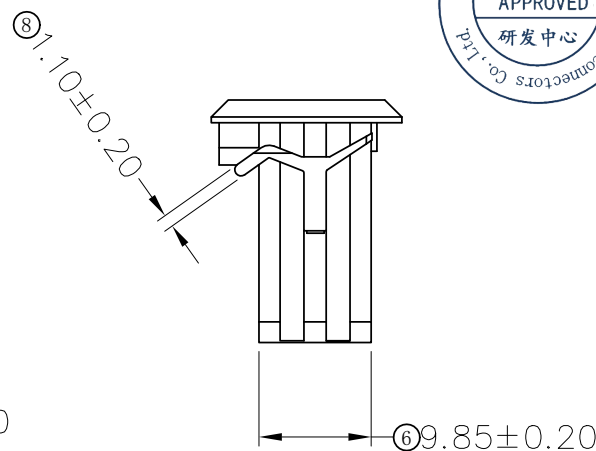
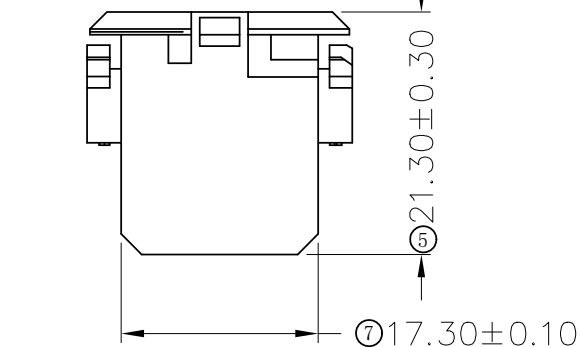
■ Specifications :

- Voltage rating: 600V AC / DC
- Current rating: 9A AC / DC
- Withstanding voltage: 1500V AC/minute
- Temperature range: -25°C~+85°C
- Insulation resistance: ≥1000MΩ
- Contact resistance: ≤10mΩ
- After environmental testing: ≤20mΩ

9357 H F-2x03-N0 W B R 01 F

① ② ③ ④ ⑤ ⑥ ⑦ ⑧ ⑨ ⑩

- ① Series No.
- ② Category: H-Housing
- ③ Welding Board Angle:F-Female HSG
- ④ Pin No.: 2xXX-2*03P
- ⑤ Material: N0-PA66 UL94V-0 ;
- ⑥ Color: W- White natural Color
- ⑦ Packing: B-Bag
- ⑧ Green code: R-Rohs
- ⑨ Fluid code: 02
- ⑩ Special code :F----Other Connectors

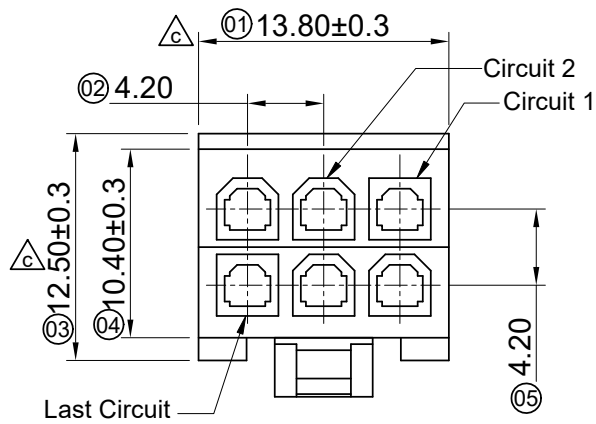


9357HF-2x03N0WBR01F	Nylon 66 UL 94V-0	9357TM-BSN-L
PART NO	Material	Suitable SWB Terminal

					GENERAL TOLERANCE		东莞市思索连接器有限公司 SWB CONNECTORS CO.,LTD				PART NO. 9357HF-2x03-N0WBR01F					
					.X ±0.30						TITLE 4.20 mm Crimp Style Connectors					
2020/04/15	B	ER20200415001	Update the drawing	Zeng	Robing	.XX ±0.20		APPROVAL	CHECK	DRAWN	DATE	UNIT	SCALE	SHEET	REV	NUMBER
DATE	REV	ECN ON.	DESCRIPTION	MODIFY	APPROVAL	.XXX ±0.10		Kim Huang	Kim Huang	Mike Chen	2019/04/26	mm	1:1	1/1	B	A-022
					X.° ±2°		PROJECT									

RoHS

This products can apply to the SWB Doc NO. QA-3-04-005 of Environmental&Material Management Rules



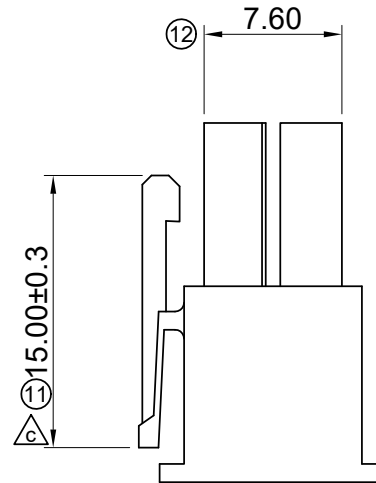
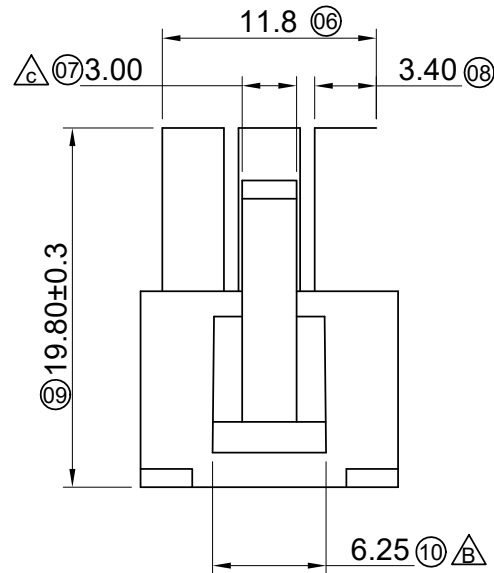
Specifications :

- Voltage rating: 600V AC / DC
- Current rating: 9A AC / DC
- Withstanding voltage: 1500V AC/minute
- Temperature range: -25°C~+85°C
- Insulation resistance: ≥1000MΩ
- Contact resistance: ≤10mΩ
- After environmental testing: ≤20mΩ

9357 H M-2*03 A-N2 XX


- ① ② ③ ④ ⑤ ⑥ ⑦

- ① Series No.
- ② Category: H-HSG
- ③ Welding Board Angle: M-Male HSG
- ④ Row No.-Pin No.: 2*03-2*03P
- ⑤ Plug the Pin & special No.:
A-The 5P PCI fool proof
- ⑥ Material: N2-PA66 94V-2
- ⑦ Color: Blank-Natural Color ; BK-Black



9357HM-2*03A-N2BK	Nylon 66 94V-2 (Black)	9357TF0	9357W-A
9357HM-2*03A-N2	Nylon 66 94V-2		
PART NO	Material	Suitable SWB Terminal	Mates With SWB Wafer Or Housing

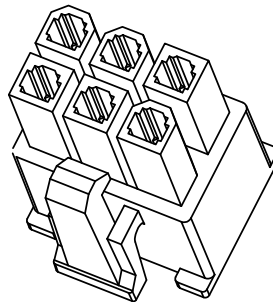
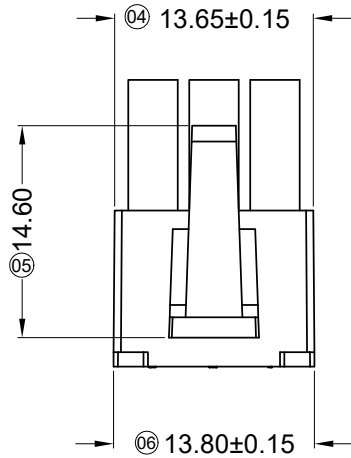
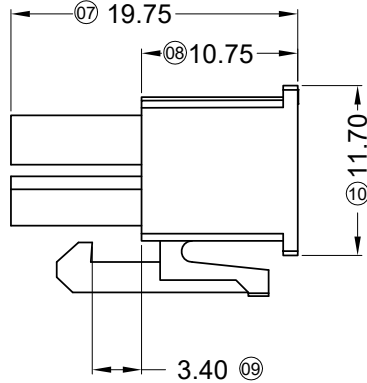
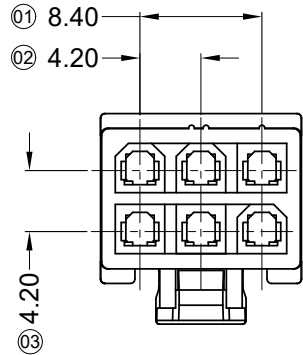
DATE	REV	ECN NO	DESCRIPTION	MODIFY	APPROVAL	PROJECT
2018.08.08	C		Modifying dimensions in kind	Joshua	Smrk	GENERAL TOLERANCE .X ±0.30 .XX ±0.20 .XXX ±0.10 X° ±2°
2017.11.27	B	EN20171127001	Modifying dimensions in kind	Yu wei	Jack	PROJECT


东莞市思索连接器有限公司
SWB CONNECTORS CO.,LTD
 APPROVAL: [Signature] CHECK: [Signature] DRAWN: [Signature] DATE: 2017/08/08

PART NO. 9357HM-2*03A-N2XX				
TITLE 4.20 mm Crimp Style Connectors				
UNIT	SCALE	SHEET	REV	NUMBER
mm	1:1	1/1	C	A-022

RoHS

This products can apply to the SWB Doc NO. QA-3-04-005 of Environmental&Material Management Rules



3D VIEW



■ Specifications :

- Voltage rating: 600V AC / DC
- Current rating: 9A AC / DC
- Withstanding voltage: 1500V AC/minute
- Temperature range: -25°C~+85°C
- Insulation resistance: ≥1000MΩ
- Contact resistance: ≤10mΩ
- After environmental testing: ≤20mΩ

9357 H M-2*03 XX-XX XX-YZ
① ② ③ ④ ⑤ ⑥ ⑦

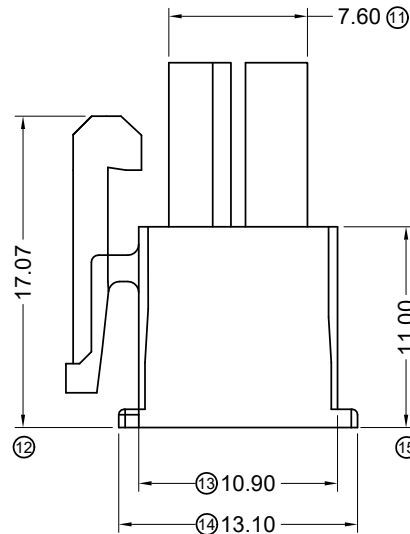
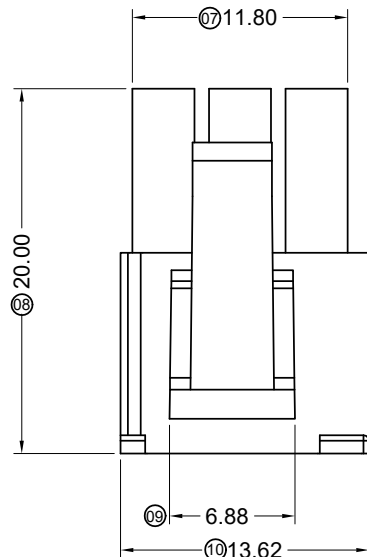
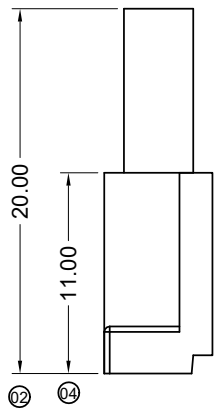
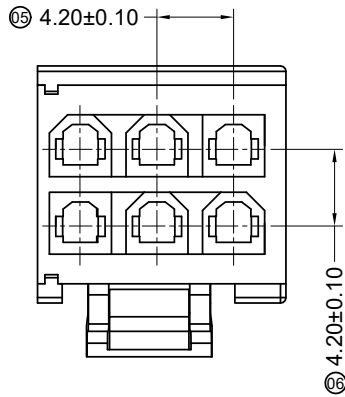
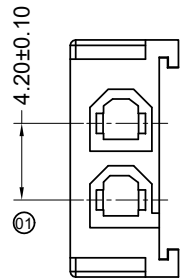
- ① Series No.
- ② Category: H-HSG
- ③ Welding Board Angle: M-Male HSG
- ④ Row No.-Pin No.: 2*03-2*03P
- ⑤ Plug the Pin & special No.:
- ⑥ Material: N0-PA66 94V-0;N2-PA66 94V-2
- ⑦ Color: Blank-Natural Color

9357HM-2*XX-XX-YZ	Nylon 66 94V-0/2	9357TF0/TF	9357W Or 9357HF
PART NO	Material	Suitable SWB Terminal	Mates With SWB Wafer Or Housing

					<p>GENERAL TOLERANCE</p> <p>.X ±0.30</p> <p>.XX ±0.20</p> <p>.XXX ±0.10</p> <p>X.° ±2°</p>				<p>东莞市思索连接器有限公司</p> <p>SWB CONNECTORS CO.,LTD</p>				<p>PART NO.</p> <p>9357HM-2*03-XX-YZ</p>												
					<p>APPROVAL</p> <p>Smark</p>				<p>CHECK</p> <p>Guo</p>				<p>DRAWN</p> <p>Yu wei</p>				<p>DATE</p> <p>2017/10/30</p>				<p>TITLE</p> <p>4.20mm Crimp Style Connectors</p>				
2020/09/07	B	EN20200907002	Add PA66 94V-2 material	Zeng	Robing						UNIT	SCALE	SHEET	REV	NUMBER										
DATE	REV	ECN ON.	DESCRIPTION	MODIFY	APPROVAL						mm	1:1	1/1	B	A-022										

RoHS

This products can apply to the SWB Doc NO. QA-3-04-005 of Environmental&Material Management Rules



2P

6P

2P+6P组合

Specifications :

- Voltage rating: 600V AC / DC
- Current rating: 9A AC / DC
- Withstanding voltage: 1500V AC/minute
- Temperature range: -25°C~+85°C
- Insulation resistance: ≥1000MΩ
- Contact resistance: ≤10mΩ
- After environmental testing: ≤20mΩ

9357 H M-2*04 C1-N0 XX

① ② ③ ④ ⑤ ⑥ ⑦

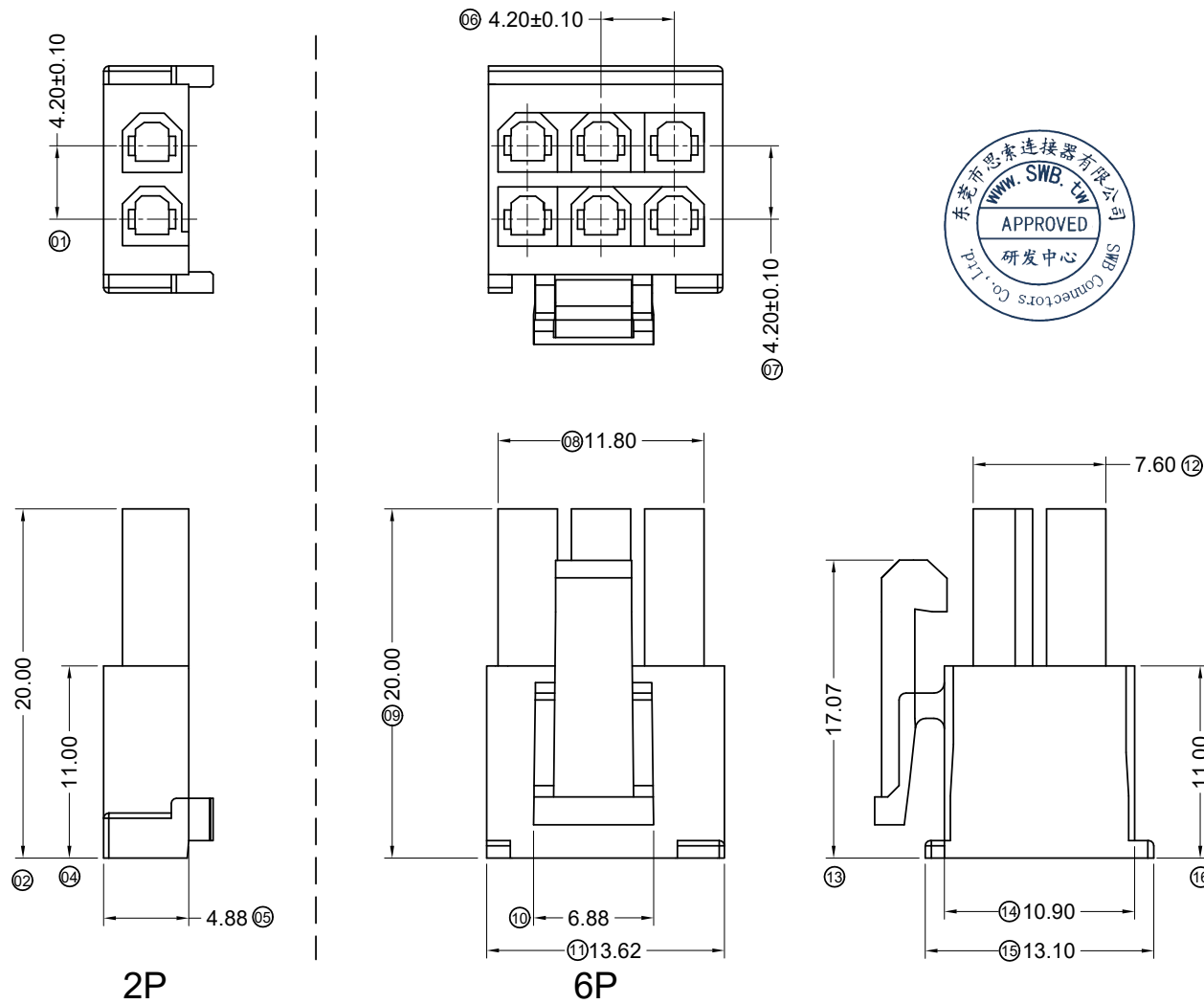
- ① Series No
- ② Category: H-HSG
- ③ Welding Board Angle: Blank-Ordinary
M-Male housing
- ④ Row No.-Pin No.: 2*XX-Double Row
- ⑤ Special No:C1- Group Type(Slide rail type)
- ⑥ Material: N0-PA66 94V-2
- ⑦ Color : Blank-Natural Color
BK-Black

9357HM-2*04C1-N0XX	Nylon 66 94V-2	9357TF0
PART NO	Material	Suitable SWB Terminal

					GENERAL TOLERANCE .X ±0.35 .XX ±0.25 .XXX ±0.15 X.° ±2° PROJECT				东莞市思索连接器有限公司 SWB CONNECTORS CO.,LTD				PART NO. 9357HM-2*04C1-N0XX																																																								
					APPROVAL				CHECK				DRAWN				DATE				TITLE 4.20 mm Crimp Style Connectors																																																
DATE					REV					ECN NO					DESCRIPTION					MODIFY					APPROVAL					PROJECT					Zeng					2018/05/03					UNIT					SCALE					SHEET					REV					NUMBER				
1					2					3					4					5					6					7					8					mm					1:1					1/1					A					A-043									

RoHS

This products can apply to the SWB Doc NO. QA-3-04-005 of Environmental&Material Management Rules



- Specifications :
- Voltage rating: 600V AC / DC
 - Current rating: 9A AC / DC
 - Withstanding voltage: 1500V AC/minute
 - Temperature range: -25°C~+85°C
 - Insulation resistance: ≥1000MΩ
 - Contact resistance: ≤10mΩ
 - After environmental testing: ≤20mΩ

9357 H M-2*04 C-N0 XX
 ① ② ③ ④ ⑤ ⑥ ⑦

- ① Series No
- ② Category: H-HSG
- ③ Welding Board Angle: Blank-Ordinary
M-Male housing
- ④ Row No.-Pin No.: 2*XX-Double Row
- ⑤ Special No:C- Group Type
- ⑥ Material: N0-PA66 94V-2
- ⑦ Color : Blank-Natural Color
BK-Black

9357HM-2*04C-N0XX	Nylon 66 94V-2	9357TF0
PART NO	Material	Suitable SWB Terminal

2P+6P组合

					GENERAL TOLERANCE .X ±0.35 .XX ±0.25 .XXX ±0.15 X.° ±2° PROJECT				东莞市思索连接器有限公司 SWB CONNECTORS CO.,LTD				PART NO. 9357HM-2*04C-N0XX TITLE 4.20 mm Crimp Style Connectors				
DATE	REV	ECN NO	DESCRIPTION	MODIFY	APPROVAL	APPROVAL	CHECK	DRAWN	DATE	UNIT	SCALE	SHEET	REV	NUMBER			
								Zeng	2018/05/03	mm	1:1	1/1	A	A-043			

RoHS

This products can apply to the SWB Doc NO. QA-3-04-005 of Environmental&Material Management Rules

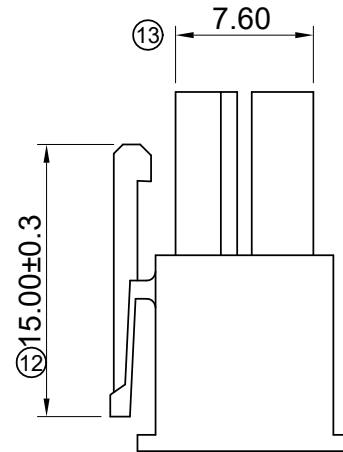
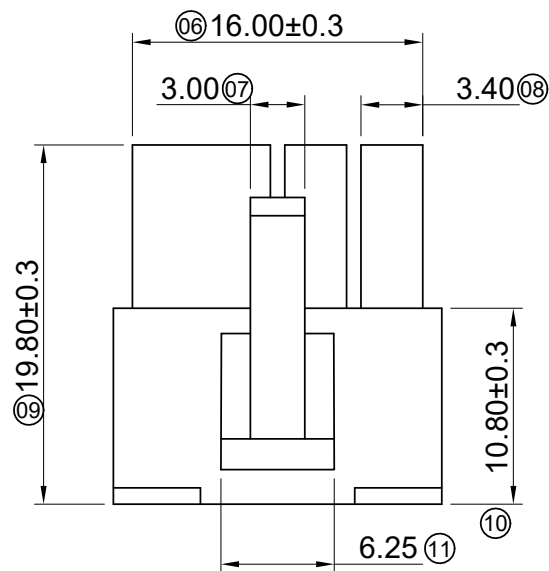
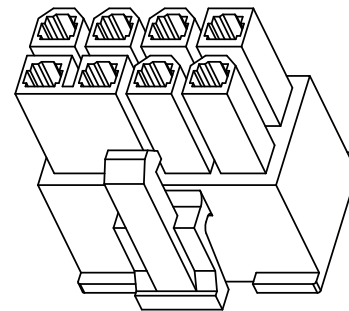
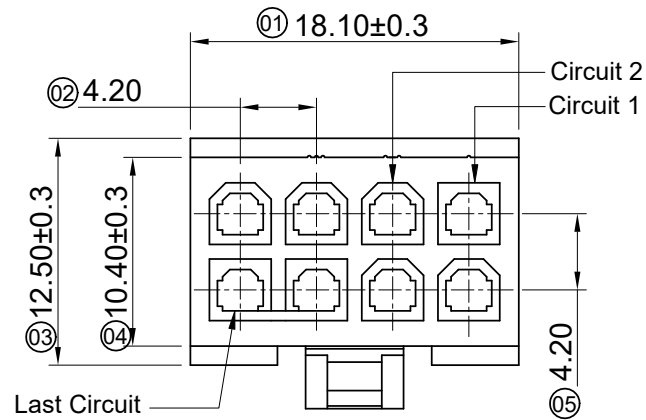
Specifications :

- Voltage rating: 600V AC / DC
- Current rating: 9A AC / DC
- Withstanding voltage: 1500V AC/minute
- Temperature range: -25°C~+85°C
- Insulation resistance:≥1000MΩ
- Contact resistance: ≤10mΩ
- After environmental testing: ≤20mΩ
- Suitable SWB Terminal:9357TF0/TF
- Mates With SWB Wafer:9357W-2xXXEG/EHX

9357 H M-2*04 E-XX XX HF

① ② ③ ④ ⑤ ⑥ ⑦ ⑧

- ① Series No.
- ② Category: H-HSG
- ③ Welding Board Angle: M-Male HSG
- ④ Row No.-Pin No.: 2*04-2*04P
- ⑤ Plug the Pin & special No.:
E-The 7P and 8P be linked together
- ⑥ Material: N2-PA66 94V-2 ; N0-PA66 94V-0
- ⑦ Color: Blank-Natural Color ; BK-Black
- ⑧ HF-Halogen Free Blank-Non halogen Free



					GENERAL TOLERANCE .X ±0.30 .XX ±0.20 .XXX ±0.10 X.° ±2°				东莞市思索连接器有限公司 SWB CONNECTORS CO.,LTD				PART NO. 9357HM-2*04E-NXXX				
					APPROVAL CHECK DRAWN DATE				TITLE 4.20mm Crimp Style Connectors								
DATE	REV	ECN NO	DESCRIPTION	MODIFY	APPROVAL	PROJECT 		APPROVAL CHECK DRAWN DATE		UNIT	SCALE	SHEET	REV	NUMBER			
						Joshua 2018/08/08		mm	1:1	1/1	A	A-022					

RoHS

This products can apply to the SWB Doc NO. QA-3-04-005 of Environmental&Material Management Rules

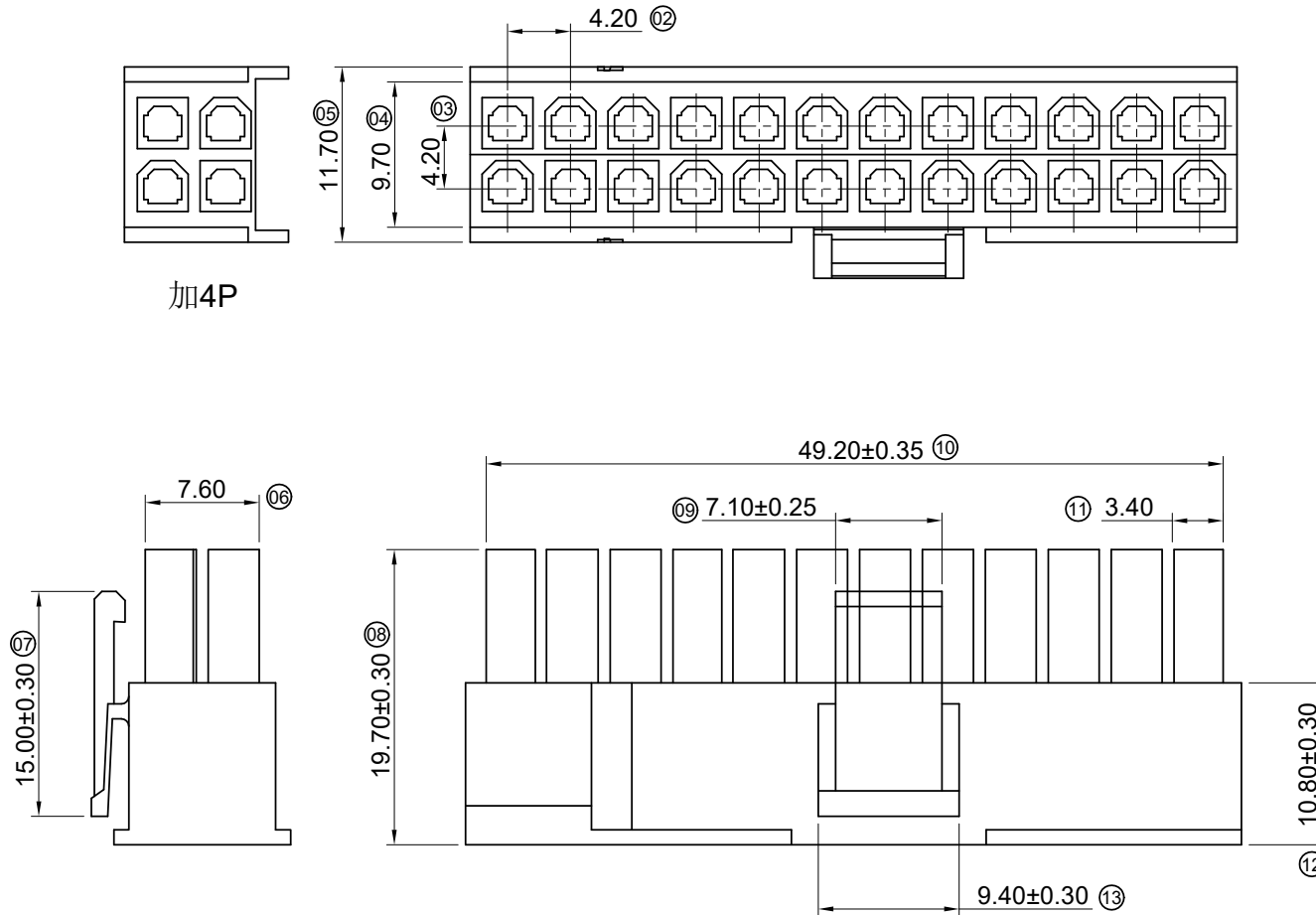
■ Specifications :

- Voltage rating: 600V AC / DC
- Current rating: 9A AC / DC
- Withstanding voltage: 1500V AC/minute
- Temperature range: -25°C~+85°C
- Insulation resistance: ≥1000MΩ
- Contact resistance: ≤10mΩ
- After environmental testing: ≤20mΩ

9357 H M-2*12 C-N2 XX

① ② ③ ④ ⑤ ⑥ ⑦

- ① Series No
- ② Category: H-HSG
- ③ Welding Board Angle: Blank-Ordinary
M-Male housing
- ④ Row No.-Pin No.: 2*XX-Double Row
- ⑤ Special No.: C-Group Type
- ⑥ Material: N2-PA66 94V-2
- ⑦ Color : Blank-Natural Color



20+4P组合

9357HM-2*12C-N2	Nylon 66 94V-2	9357TF0	9357W Or 9357HF
PART NO	Material	Suitable SWB Terminal	Mates With SWB Wafer Or Housing

					<p>GENERAL TOLERANCE</p> <p>.X ±0.30</p> <p>.XX ±0.20</p> <p>.XXX ±0.10</p> <p>X.° ±2°</p> <p>PROJECT</p>				<p>PART NO. 9357HM-2*12C-N2</p> <p>TITLE 4.20 mm Crimp Style Connectors</p>				
					<p>APPROVAL</p> <p>CHECK</p> <p>DRAWN yan.Liu</p> <p>DATE 2007/05/03</p>				<p>UNIT mm</p> <p>SCALE 1:1</p> <p>SHEET 1/1</p> <p>REV A</p> <p>NUMBER A-043</p>				
DATE	REV	ECN NO	DESCRIPTION	MODIFY	APPROVAL								

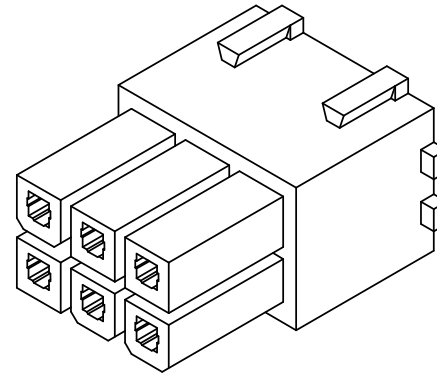
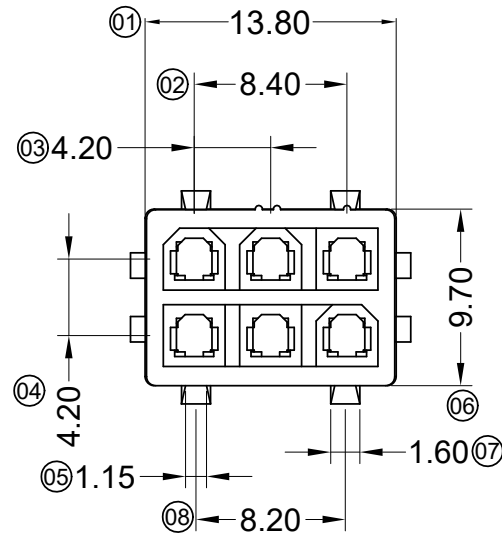


东莞市思索连接器有限公司

SWB CONNECTORS CO.,LTD

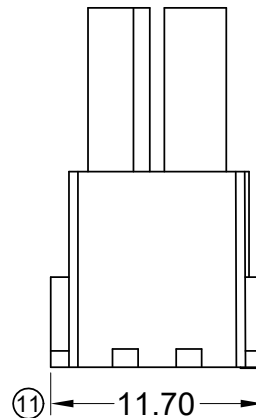
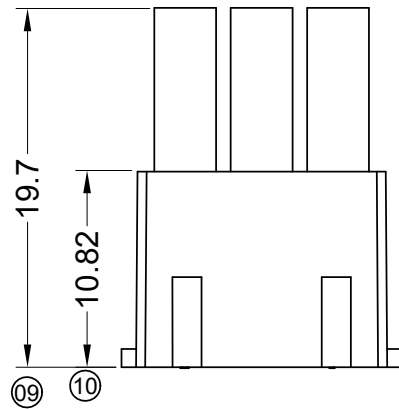
RoHS

This products can apply to the SWB Doc NO. QA-3-04-005 of Environmental&Material Management Rules



Specifications :

- Voltage rating: 600V AC / DC
- Current rating: 9A AC / DC
- Withstanding voltage: 1500V AC/minute
- Temperature range: -25°C~+85°C
- Insulation resistance: ≥1000MΩ
- Contact resistance: ≤10mΩ
- After environmental testing: ≤20mΩ



9357 H M-2*03 NL-N0 XX

① ② ③ ④ ⑤ ⑥ ⑦

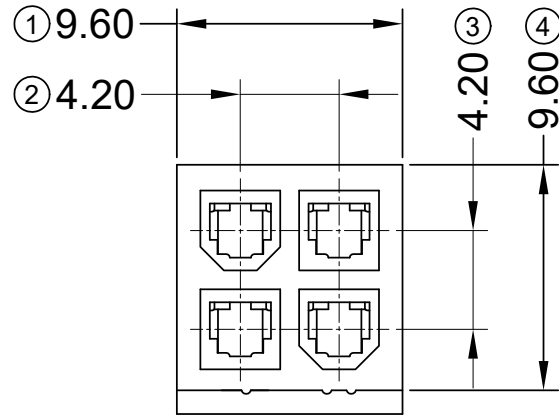
- ① Series No.
- ② Category: H-HSG
- ③ Welding Board Angle: M-Male HSG
- ④ Row No.-Pin No.: 2*03-2*03P
- ⑤ Special No.: NL-Without Lock
- ⑥ Material: N0-PA66 94V-0
- ⑦ Color: Blank-Natural Color

9357HM-2*03NL-N0	Nylon 66 94V-0	9357TF0	9357W
PART NO	Material	Suitable SWB Terminal	Mates With SWB Wafer Or Housing

					GENERAL TOLERANCE .X ±0.30 .XX ±0.20 .XXX ±0.10 X. ° ±2°				东莞市思索连接器有限公司 SWB CONNECTORS CO.,LTD				PART NO. 9357HM-2*03NL-N0												
					APPROVAL Smark				CHECK Guo				DRAWN Yu wei				DATE 2017/10/27				TITLE 4.20mm Crimp Style Connectors				
DATE	REV	ECN NO	DESCRIPTION	MODIFY	APPROVAL	PROJECT		UNIT		SCALE		SHEET		REV		NUMBER									
								mm		1:1		1/1		A		A-022									

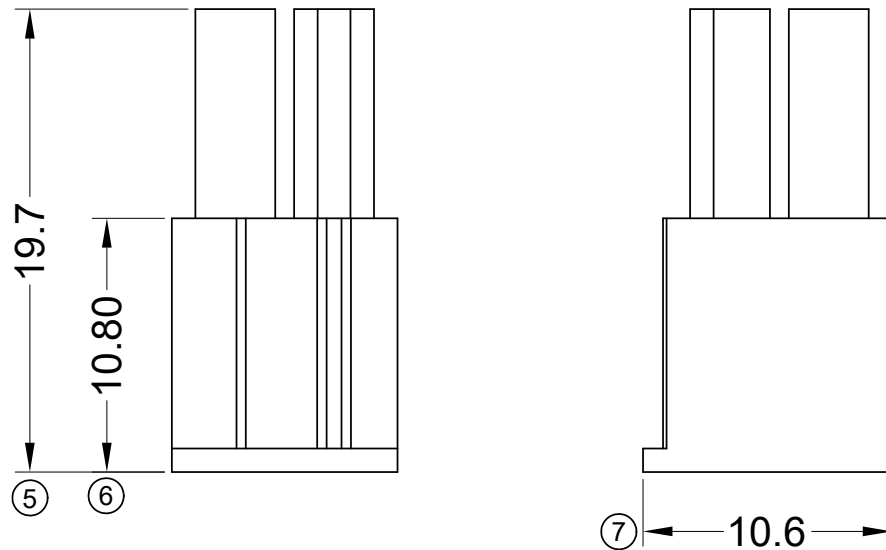
RoHS

This products can apply to the SWB Doc NO. QA-3-04-005 of Environmental&Material Management Rules



■ Specifications :

- Voltage rating: 600V AC / DC
- Current rating: 9A AC / DC
- Withstanding voltage: 1500V AC/minute
- Temperature range: -25°C~+85°C
- Insulation resistance: ≥1000MΩ
- Contact resistance: ≤10mΩ
- After environmental testing: ≤20mΩ
- Suitable SWB Terminal: 9357TF0
- Suitable SWB Wafer: 9357W



9357 H M-2*02 NL-N0 XX

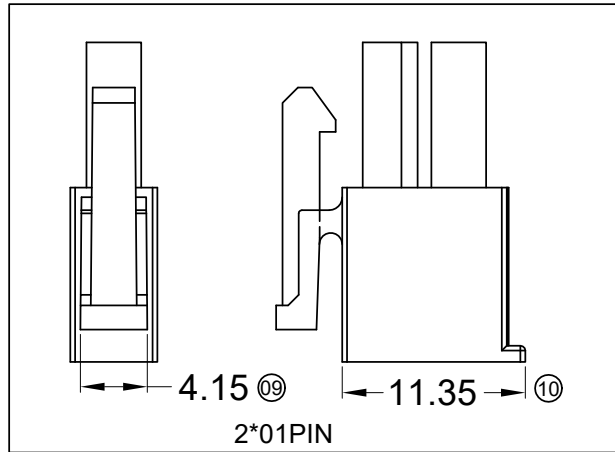
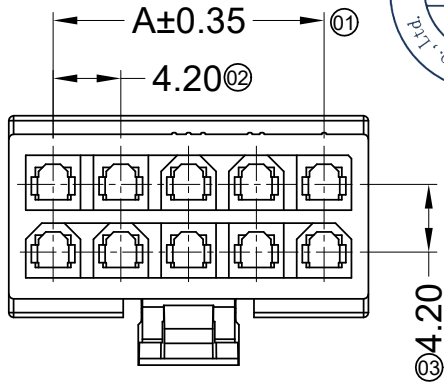
① ② ③ ④ ⑤ ⑥ ⑦

- ① Series No.
- ② Category: H-HSG
- ③ Welding Board Angle: M-Male HSG
- ④ Row No.-Pin No.: 2*02-2*02P
- ⑤ Special No.: NL-Without Lock
- ⑥ Material: N0-PA66 94V-0
- ⑦ Color: Blank-Natural Color

					<p>GENERAL TOLERANCE</p> <p>.X ±0.30</p> <p>.XX ±0.20</p> <p>.XXX ±0.10</p> <p>X. ° ±2°</p>				<p>东莞市思索连接器有限公司</p> <p>SWB CONNECTORS CO.,LTD</p>				<p>PART NO.</p> <p>9357HM-2*02NL-N0</p>												
					<p>APPROVAL</p> <p>Smak</p>				<p>CHECK</p> <p>Guo</p>				<p>DRAWN</p> <p>sylvia</p>				<p>DATE</p> <p>2019/01/24</p>				<p>TITLE</p> <p>4.20mm Crimp Style Connectors</p>				
DATE	REV	ECN NO	DESCRIPTION	MODIFY	APPROVAL	PROJECT							UNIT	SCALE	SHEET	REV	NUMBER								
													mm	1:1	1/1	A	A-022								

RoHS

This products can apply to the SWB Doc NO. QA-3-04-005 of Environmental&Material Management Rules



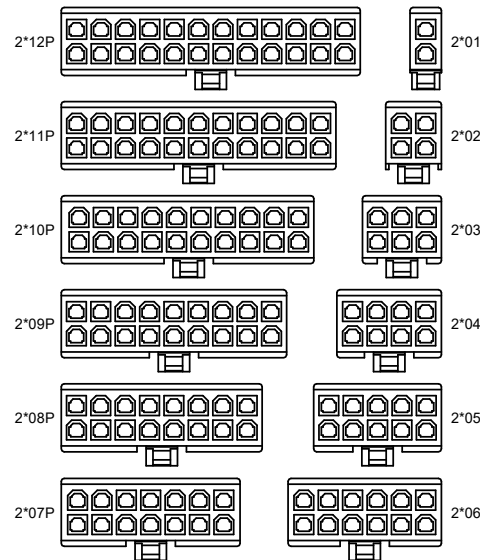
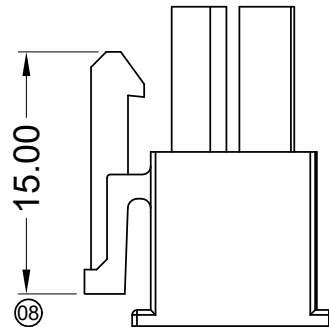
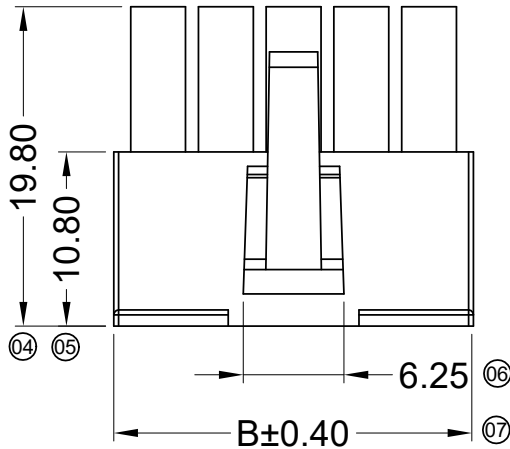
Specifications :

- Voltage rating: 600V AC / DC
- Current rating: 9A AC / DC
- Withstanding voltage: 1500V AC/minute
- Temperature range: -25°C~+85°C
- Insulation resistance: ≥1000MΩ
- Contact resistance: ≤10mΩ
- After environmental testing: ≤20mΩ
- Suitable SWB Terminal: 9357TF
- Mates With SWB Wafer Or Housing: 9357WX or 9357HF

9357 H M-2xXX-XX N B Y 01 F

① ② ③ ④ ⑤ ⑥ ⑦ ⑧ ⑨ ⑩

- ① Series No.
- ② Category: H-Housing
- ③ Welding Board Angle: M- Male Housing
- ④ Row No.-Pin No.: 2xXX-2x01~2x12P
- ⑤ Material: N0-PA66 UL94V-0 ;N2-PA66 UL94V-2
- ⑥ Color: N-Natural color ; B-Black
- ⑦ Packing: B-Bag
- ⑧ Green code: Y-Rohs
- ⑨ Water code: 01
- ⑩ Special code :F-Other Connectors

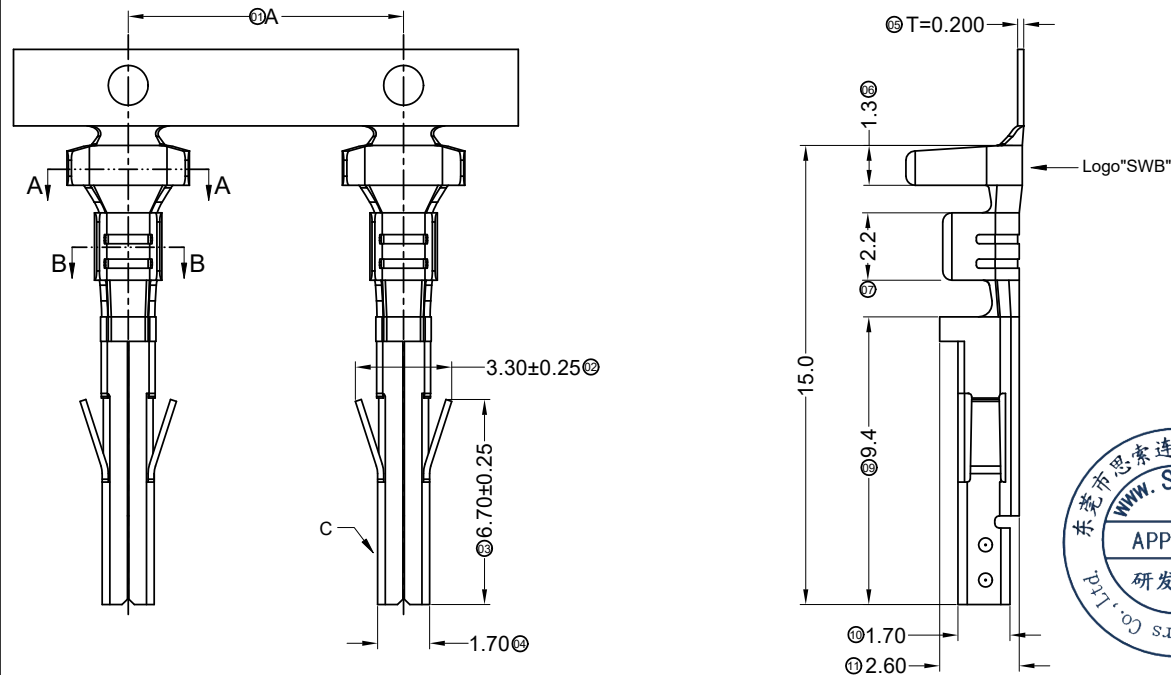


Poles	Dimensions(mm)		Poles	Dimensions(mm)	
	A	B		A	B
2*01		5.50	2*07	25.20	30.70
2*02	4.20	9.70	2*08	29.40	34.90
2*03	8.40	13.90	2*09	33.60	39.10
2*04	12.60	18.10	2*10	37.80	43.30
2*05	16.80	22.30	2*11	42.00	47.50
2*06	21.00	26.50	2*12	46.20	51.70

					<p>GENERAL TOLERANCE</p> <p>.X ±0.30</p> <p>.XX ±0.20</p> <p>.XXX ±0.10</p> <p>X.° ±2°</p>				<p>东莞市思索连接器有限公司</p> <p>SWB CONNECTORS CO.,LTD</p>				<p>PART NO.</p> <p>9357HM-2xXX-XXNBY01F</p>				
					<p>APPROVAL</p> <p>CHECK</p> <p>DRAWN</p> <p>DATE</p>				<p>TITLE</p> <p>4.20mm Crimp Style Connectors</p>								
2020.03.13	B	ER20200313001	Modify the shape of the lock	Z.W	Robing					UNIT	SCALE	SHEET	REV	NUMBER			
DATE	REV	ECN ON.	DESCRIPTION	MODIFY	APPROVAL					mm	1:1	1/1	B	A-022			

RoHS

This products can apply to the SWB Doc NO. QA-3-04-005 of Environmental&Material Management Rules

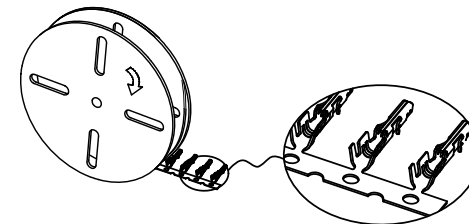


Specifications :

- Voltage rating: 600V AC / DC
- Current rating: 9A AC / DC
- Withstanding voltage: 1500V AC/minute
- Temperature range: -25°C~+85°C
- Insulation resistance: $\geq 1000M\Omega$
- Contact resistance: $\leq 10m\Omega$
- After environmental testing: $\leq 20m\Omega$

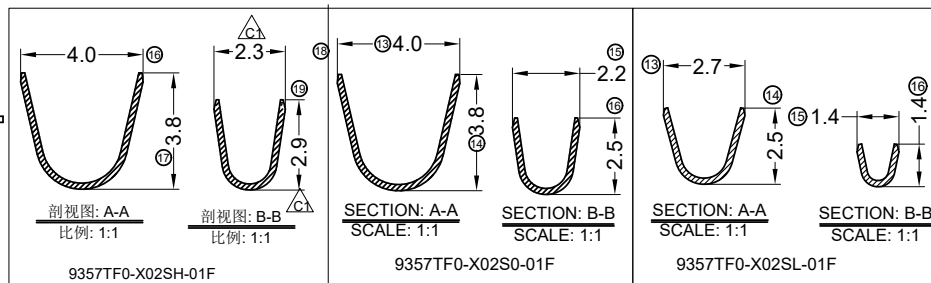
9357 T F 0 - X XX X X - 01 F
① ② ③ ④ ⑤ ⑥ ⑦ ⑧ ⑨ ⑩

- ① Series Number
- ② Category: T-terminal
- ③ Shape: F-Female
- ④ Shape: 0-Ordinary
- ⑤ Material: B-Brass P-Phosphor Bronze
- ⑥ Plating style: 02-Ni 30 μ Sn 80 μ Min
20-Ni 30 μ Contact area G/F
- ⑦ Plating method: S-Stamping before plating
- ⑧ L-Ultra low foot, 0-Ordinary foot, H-Height foot
- ⑨ Water Code: 01
- ⑩ Special Code: F-Other connectors



Package way

SCALE 4:1



9357TF0-X02SL-01F	Barss or Phosphor Bronze	6.20mm Δ	24~26 AWG	1.5mm(Max)	9357HM
9357TF0-X02S0-01F		9.00mm	18~22 AWG	2.10mm(Max)	
9357TF0-X02SH-01F		9.00mm	16~18 AWG	3.10mm(Max)	
PART NO	Material	DIM A	Wire Range	Insulation O.D.	Used In SWB Housing

2022/05/25	C1	EN20220525001	Added height specifications	Zeng	Robing	GENERAL TOLERANCE	<p>东莞市思索连接器有限公司 SWB CONNECTORS CO.,LTD</p>	PART NO. 9357TF0-X02SX-01F				
2020/03/26	C	EN20200326002	Update Drawing Frame, The Same ECR And ECN NO	Zeng	Robing	.X ± 0.30		TITLE 4.20mm Crimp Style Connectors				
2019/05/15	B	EN20190515002	Modify hole spacing of material belt Δ	Joshua	Smarm	.XX ± 0.20		APPROVAL	CHECK	DRAWN	DATE	
						.XXX ± 0.10		Smarm	Guo	Hai Lang	2018-06-28	
						X. $^{\circ}$ $\pm 2^{\circ}$						
DATE	REV	ECN ON.	DESCRIPTION	MODIFY	APPROVAL	PROJECT	Smarm	Guo	Hai Lang	2018-06-28		

UNIT	SCALE	SHEET	REV	NUMBER
mm	1:1	1/1	C1	A-218

RoHS

This products can apply to the SWB Doc NO. QA-3-04-005 of Environmental&Material Management Rules

■ Specifications :

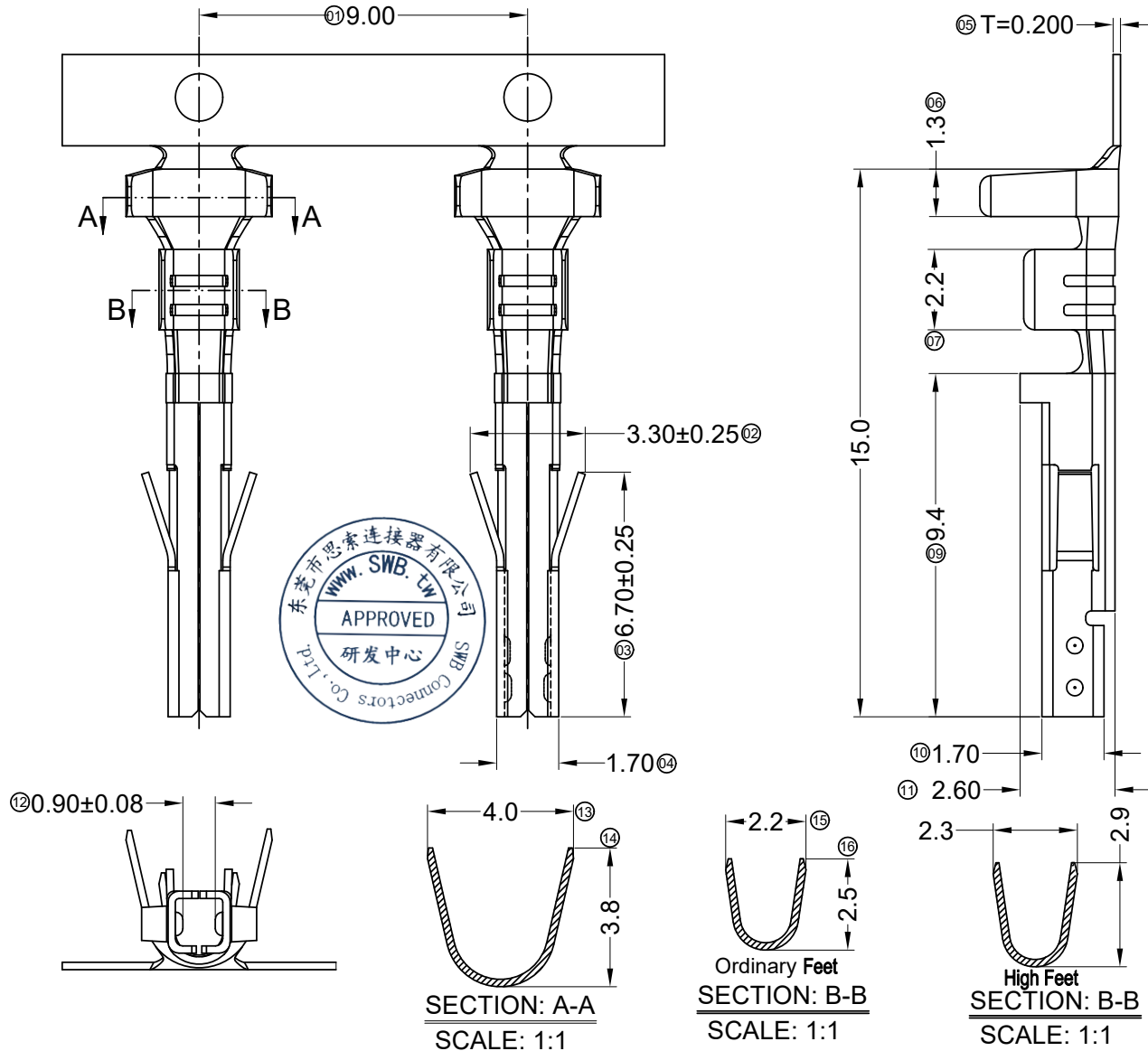
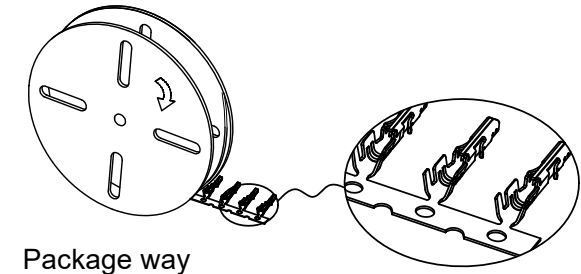
- Voltage rating: 600V AC / DC
- Current rating: 12.5A AC / DC(16 AWG)
- Withstanding voltage: 1500V AC/minute
- Temperature range: -25°C~+85°C
- Insulation resistance:≥1000MΩ
- Contact resistance: ≤10mΩ
- After environmental testing: ≤20mΩ
- Used In SWB Housing:9357HM

9357 T X F -H XX X-X

① ② ③ ④ ⑤ ⑥ ⑦ ⑧

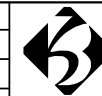
- ① Series Number
- ② Category: T-terminal
- ③ Special NO: Blank-Ordinary Feet ; H-High Feet;
- ④ Shape: F-Female
- ⑤ Material: H-High conductivity copper
- ⑥ Plating style:
SN-60u" Ni;120u"Sn Min.
G01-30u" Min Ni;Contact area Gold Flash
G03-30u" Min Ni;Contact area gold 3u"
- ⑦ Plating method: Blank-Stamping before plating
- ⑧ Mold No./Mark/Special No.

9357TF-HXX	18~22AWG	2.10mm (Max)
9357THF-HXX	16~18AWG	3.10mm (Max)
P/N	Wire Range	Insulation O.D.



2022/05/23	B1	EN20220523001	Add High Feet	Zeng	Robing
2020/03/26	B	EN20200326002	Update Drawing Frame	Zeng	Robing
DATE	REV	ECN NO	DESCRIPTION	MODIFY	APPROVAL

GENERAL TOLERANCE				PART NO. 9357TXF-HXXX			
.X	±0.30	APPROVAL		CHECK	DRAWN	DATE	TITLE
.XX	±0.20	Smark		Joshua	Jason	2016/03/22	4.20mm Crimp Style Connectors
.XXX	±0.10	PROJECT					UNIT SCALE SHEET REV NUMBER
X.°	±2°	APPROVAL					mm 1:1 1/1 B1 A-218

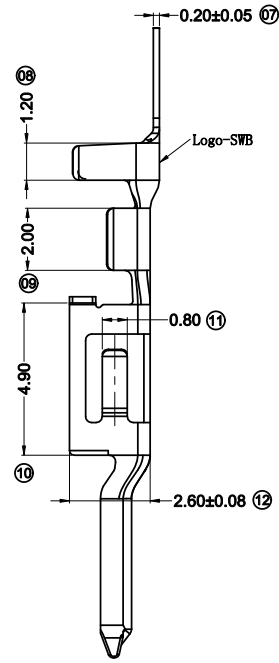
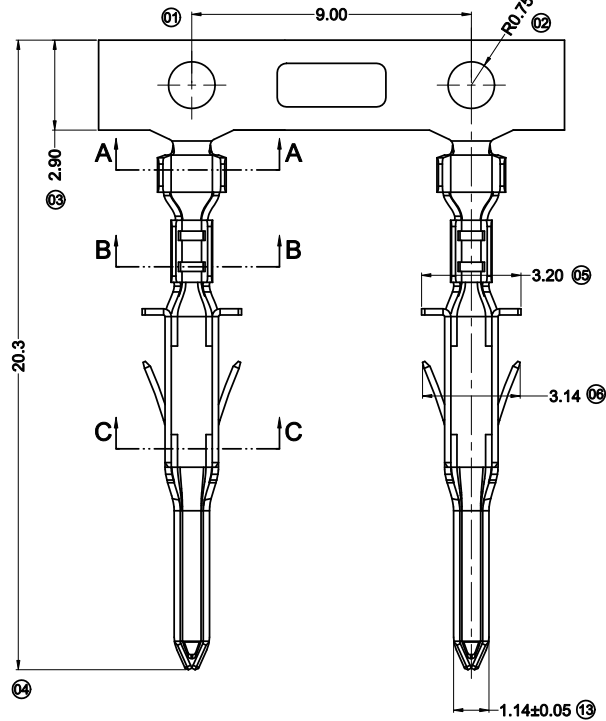


东莞市思索连接器有限公司
SWB CONNECTORS CO.,LTD

PART NO. 9357TXF-HXXX				
TITLE				
4.20mm Crimp Style Connectors				
UNIT	SCALE	SHEET	REV	NUMBER
mm	1:1	1/1	B1	A-218

RoHS

This products can apply to the SWB Doc NO. QA-3-04-005 of Environmental&Material Management Rules



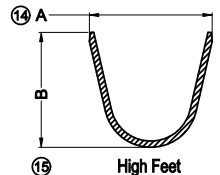
■ Specifications :

- Voltage rating: 600V AC / DC
- Current rating: 9A Max AC / DC
- Withstanding voltage: 1500V AC/minute
- Temperature range: -25°C~+85°C
- Insulation resistance: ≥1000MΩ
- Contact resistance: ≤10mΩ
- After environmental testing: ≤20mΩ

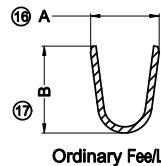
9357 T M-X SN X-X

① ② ③ ④ ⑤ ⑥ ⑦

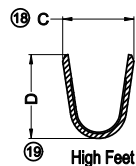
- ① Series No.
- ② Category: T-Terminal
- ③ Connector type: M-Male Terminal
- ④ Material: B-Brass; P-Phosphor Bronze
- ⑤ Plating code: SN-Bright Tin Plating
- ⑥ Plating Method :
Blank-Stamping before Plating
- ⑦ Special N0: Blank-Ordinary Feet
L-Low Feet ; H-High Feet;



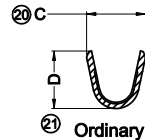
High Feet
SECTION: A-A
SCALE: 1:1



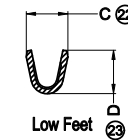
Ordinary Feet/Low Feet
SECTION: A-A
SCALE: 1:1



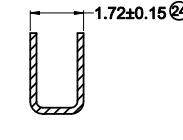
High Feet
SECTION: B-B
SCALE: 1:1



Ordinary Feet
SECTION: B-B
SCALE: 1:1



Low Feet
SECTION: B-B
SCALE: 1:1



SECTION: C-C
SCALE: 1:1

9357TM-XXX-H	AWG#16~18 (0.8~1.00mm ²)	2.1mm(Max)	3.95	3.70	2.30	2.70	9357HF
9357TM-XXX	AWG#20~22 (0.5~0.35mm ²)	1.50mm(Max)	2.20	2.80	1.90	1.85	
9357TM-XXX-L	AWG#24~26 (0.22~0.13mm ²)	1.30mm(Max)	2.20	2.80	1.34	1.40	

料号	线芯 O.D	绝缘 O.D	DIM a	DIM b	DIM c	DIM d	Used In SWB Housing
----	--------	--------	-------	-------	-------	-------	---------------------



DATE	REV	ECN NO	DESCRIPTION	MODIFY	APPROVAL
------	-----	--------	-------------	--------	----------

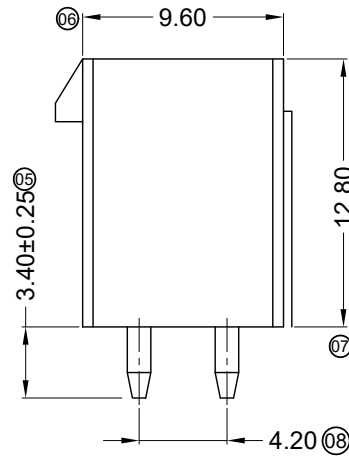
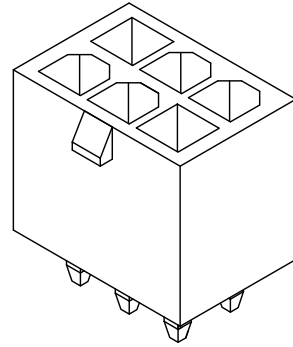
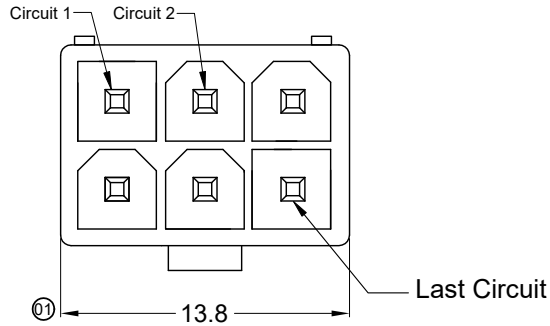
GENERAL TOLERANCE	
.X	±0.30
.XX	±0.20
.XXX	±0.10
X.°	±2°
PROJECT	

东莞市思索连接器有限公司 SWB CONNECTORS CO.,LTD			
APPROVAL	CHECK	DRAWN	DATE
Larry	/	Zeng	2021/12/21

PART NO. 9357TM-XSN-X				
TITLE 4.20 mm Crimp Style Connectors				
UNIT	SCALE	SHEET	REV	NUMBER
mm	1:1	1/1	A0	A-000

RoHS

This products can apply to the SWB Doc NO. QA-3-04-005 of Environmental&Material Management Rules

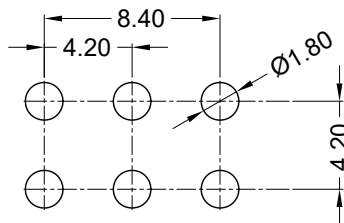
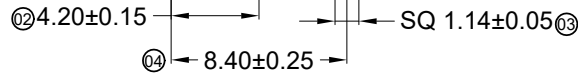


Specifications :

- Voltage rating: 600V AC / DC
- Current rating: 7A AC / DC
- Withstanding voltage: 1500V AC/minute
- Temperature range: -25°C~+85°C
- Insulation resistance: ≥1000MΩ
- Contact resistance: ≤10mΩ
- After environmental testing: ≤20mΩ

9357 W V X-2*03 A-XX XX XX
① ② ③ ④ ⑤ ⑥ ⑦ ⑧ ⑨

- ① Series No.
- ② Category: W-WAFER
- ③ Welding Board Angle: V- Stright 180° ;
- ④ Welding Way: Blank-DIP
- ⑤ Row No.-Pin No.: 2*03-2*03P
- ⑥ Plug the Pin & Special No.:
A-2 party 4 round hole position
- ⑦ Material: N2-PA66 94V-2;N0 -PA66 94V-0
- ⑧ Plating Category: SN-Bright Tin Plating ;
- ⑨ Color : Blank-Natural Color; BK-Black;



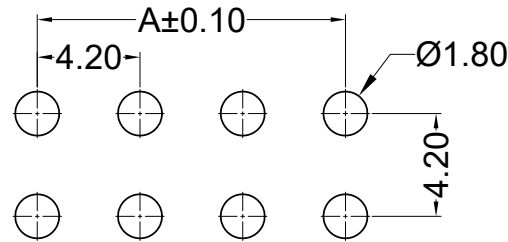
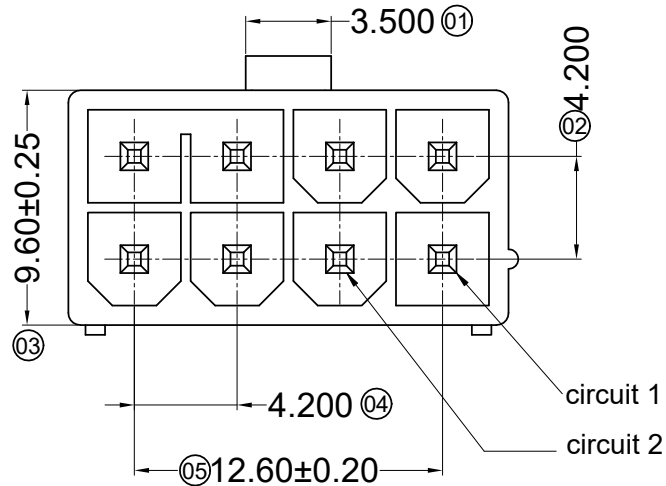
Recommended P.C.B Layout
General Tolerance±0.05

9357WV-2*03A-XXSNXX	Nylon 66 94V-2 Or Nylon 66 94V-0	Brass	Tin-Plated	9357HM-2*03A
PART NO	Material	Material(Pin)	Finish(Pin)	Mates With SWB Housing

					<p>GENERAL TOLERANCE</p> <p>.X ±0.30</p> <p>.XX ±0.20</p> <p>.XXX ±0.10</p> <p>X° ±2°</p>				<p>东莞市思索连接器有限公司</p> <p>SWB CONNECTORS CO.,LTD</p>				<p>PART NO.</p> <p>9357WV-2*03A-XXXXXX</p>				
2020/03/17	B	EN20200317003	Update Drawing Frame	Zeng	Robing	APPROVAL	CHECK	DRAWN	DATE	<p>TITLE</p> <p>4.20 mm Crimp Style Connectors</p>							
DATE	REV	ECN NO	DESCRIPTION	MODIFY	APPROVAL	PROJECT	Smark	Joshua	Yu wei	2018/06/27	UNIT	SCALE	SHEET	REV	NUMBER		
											mm	1:1	1/1	B	A-007		

RoHS

This products can apply to the SWB Doc NO. QA-3-04-005 of Environmental&Material Management Rules



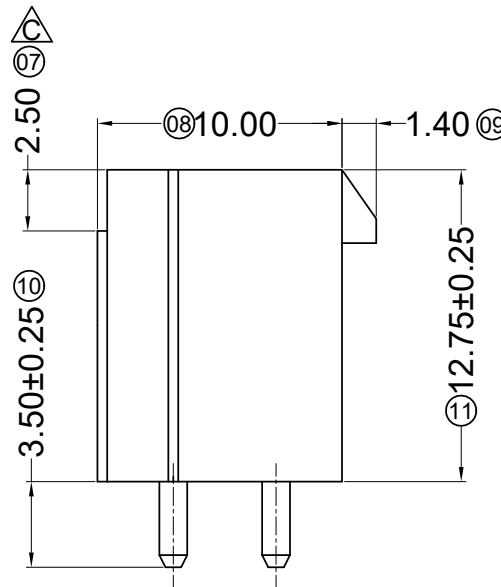
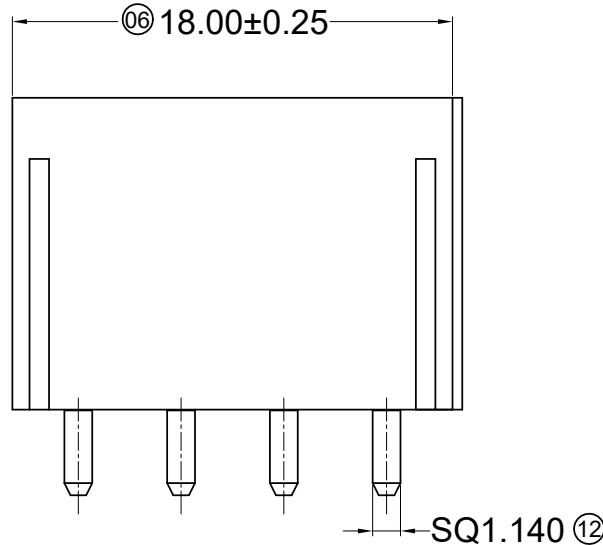
P.C.B LAYOUT

■ Specifications :

- Voltage rating: 600V AC / DC
- Current rating: 9A AC / DC
- Withstanding voltage: 1500V AC/minute
- Temperature range: -25°C~+85°C
- Insulation resistance: ≥1000MΩ
- Contact resistance: ≤10mΩ
- Material(Pin): Brass
- Mates With SWB Housing: 9357HM-2xXX

9357 W V X-2*04 EH2 X -XX SN XX
 (01) (02) (03) (04) (05) (06) (07) (08) (09)

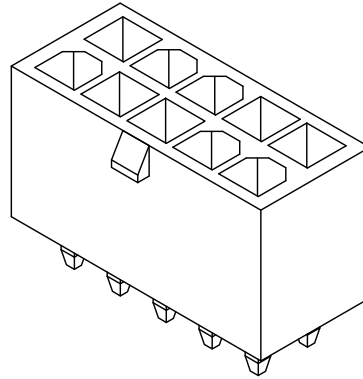
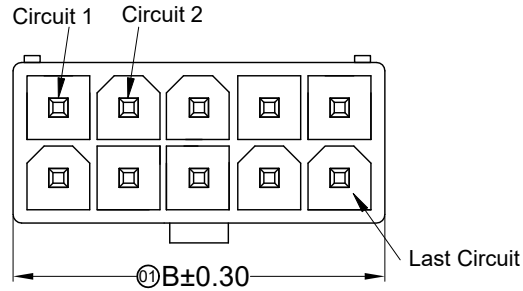
- ① Series No.
- ② Category: W-wafer
- ③ Connector Type: V-180°
- ④ Mounting Type: Blank-DIP
- ⑤ Row No.-Pin No.: 2*XX-Double
- ⑥ Plug the Pin & Special NO.
 EH2-interlinked hole With small buckle
 F-Halogen free
- ⑦ Material: N0-PA66 94V-0 ; N2-PA66 94V-2
- ⑧ Plating Code: SN-Bright Tin SW-Matte Tin
- ⑨ Color: Blank-Black



2020/03/26	D	EN20200326002	Update Drawing Frame, The Same ECR And ECN NO	Zeng	Robing	GENERAL TOLERANCE X ±0.30 .XX ±0.20 .XXX ±0.10 X° ±2°	东莞市思索连接器有限公司 SWB CONNECTORS CO.,LTD				PART NO.				
2017/11/15	C	EN20171115001	Product sizing	Yu wei	Jacky						9357WV-2*04EH2X-XXXX				
2015/05/06	B		Modify the drawing frame format	Feng Ping	Bob Sun						TITLE				
											4.20mm Crimp Style Connectors				
DATE	REV	ECN NO	DESCRIPTION	MODIFY	APPROVAL	PROJECT	APPROVAL	CHECK	DRAWN	DATE	UNIT	SCALE	SHEET	REV	NUMBER
						Robing	Robing	Joshua	Allen	2013/11/21	mm	1:1	1/1	D	A-053

RoHS

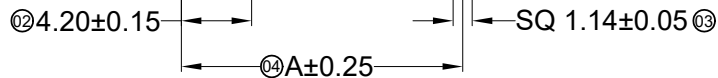
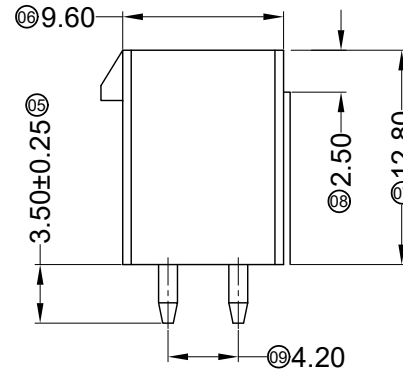
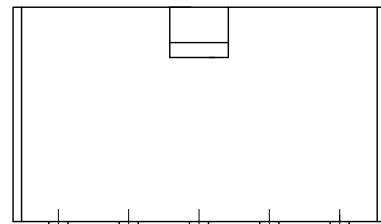
This products can apply to the SWB Doc NO. QA-3-04-005 of Environmental&Material Management Rules



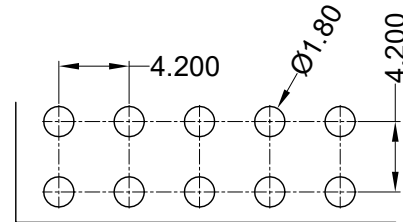
- Specifications :
- Voltage rating: 600V AC / DC
 - Current rating: 9A AC / DC
 - Withstanding voltage: 1500V AC/minute
 - Temperature range: -25°C~+85°C
 - Insulation resistance: ≥100MΩ
 - Contact resistance: ≤10mΩ
 - After environmental testing: ≤20mΩ

9357 W V X-2*XX C-XX XX XX
 ① ② ③ ④ ⑤ ⑥ ⑦ ⑧ ⑨

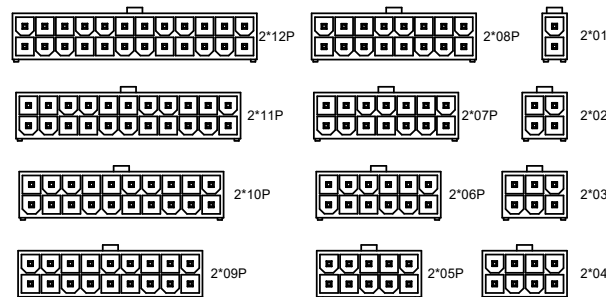
- ① Series No.
- ② Category: W-WAFER
- ③ Welding Board Angle: V- Stright 180° ;
- ④ Welding Way: Blank-DIP
- ⑤ Row No.-Pin No.: 2*XX-2*01P~2*12P
- ⑥ Plug the Pin & Special No.:
 C-Without glutenRow ,spacing 4.2mm;
 F-Halogen Free
- ⑦ Material: N2-PA66 94V-2
- ⑧ Plating Category: SN-Bright Tin Plating ;
 V01-Gold Flash
- ⑨ Color : Blank-Natural Color; BK-Black;
 GY-Gray; RE-Red



Poles	Dimensions (mm)		Poles	Dimensions (mm)	
	A	B		A	B
2*01	--	5.40	2*07	25.20	30.60
2*02	4.20	9.60	2*08	29.40	34.80
2*03	8.40	13.80	2*09	33.60	39.00
2*04	12.60	18.00	2*10	37.80	43.20
2*05	16.80	22.20	2*11	42.00	47.40
2*06	21.00	26.40	2*12	46.20	51.60



Recommended P.C.B Layout
 General Tolerance±0.05



9357WV-2*XXCF-N2SNXX	Nylon 66 UL 94V-2 (Halogen Free)	Brass	Tin-Plated	9357H
9357WV-2*XXC-N2V01XX	Nylon 66 UL 94V-2		Gold-Flash	
9357WV-2*XXC-N2SNXX	Nylon 66 UL 94V-2		Tin-Plated	
PART NO	Material	Material(Pin)	Finish(Pin)	Mates With SWB Housing

GENERAL TOLERANCE						APPROVAL				PART NO.				
.X ±0.30						APPROVAL				PART NO. 9357WV-2*XXCX-XXXX				
.XX ±0.20														
.XXX ±0.10						CHECK				TITLE 4.20 mm Crimp Style Connectors				
X.° ±2°														
2020/03/26	B	EN20200326002	Update Drawing Frame	Zeng	Robing	DRAWN				DATE				
DATE	REV	ECN NO	DESCRIPTION	MODIFY	APPROVAL	DRAWN				DATE				
PROJECT						Robing				2017/11/15				
UNIT						mm				SCALE				
mm						1:1				1/1				
REV						B				NUMBER				
A-053														



东莞市思索连接器有限公司

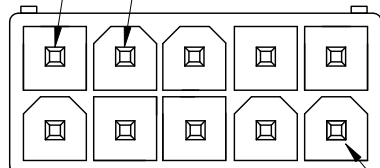
SWB CONNECTORS CO.,LTD

PART NO.				
9357WV-2*XXCX-XXXX				
TITLE				
4.20 mm Crimp Style Connectors				
UNIT	SCALE	SHEET	REV	NUMBER
mm	1:1	1/1	B	A-053

RoHS

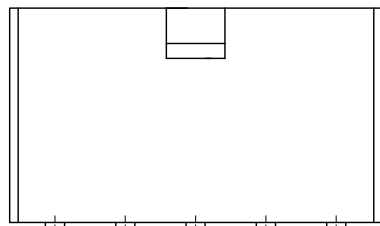
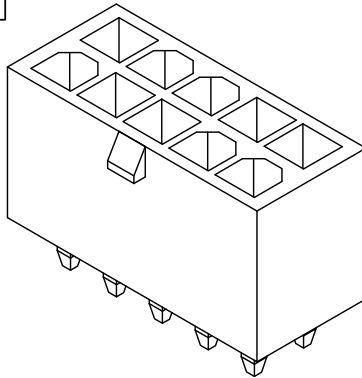
This products can apply to the SWB Doc NO. QA-3-04-005 of Environmental&Material Management Rules

Circuit 1 Circuit 2



① B±0.30

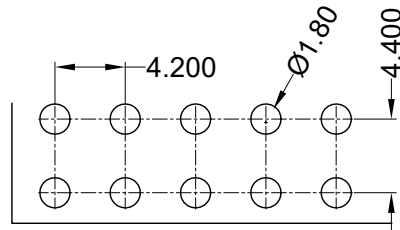
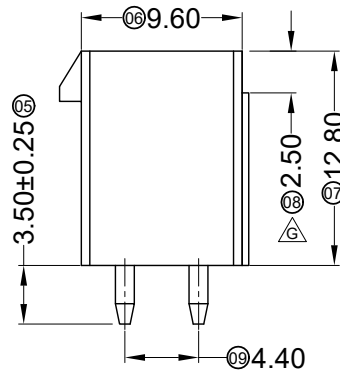
Last Circuit



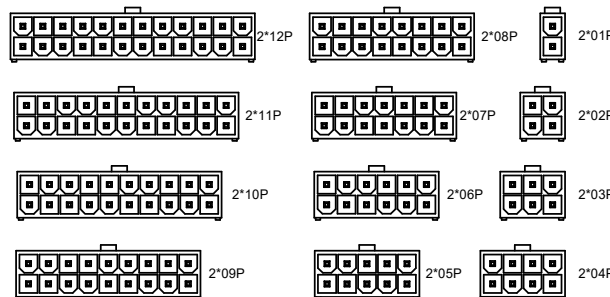
② 4.20±0.15

④ A±0.25

SQ 1.14±0.05 ⑤



Recommended P.C.B Layout
General Tolerance±0.05



■ Specifications :

- Voltage rating: 600V AC / DC
- Current rating: 9A AC / DC
- Withstanding voltage: 1500V AC/minute
- Temperature range: -25°C~+85°C
- Insulation resistance: ≥100MΩ
- Contact resistance: ≤10mΩ
- After environmental testing: ≤20mΩ

9357 W V X-2*XX D-XX XX XX
① ② ③ ④ ⑤ ⑥ ⑦ ⑧ ⑨

- ① Series No.
- ② Category: W-WAFER
- ③ Welding Board Angle: V- Stright 180° ;
- ④ Welding Way: Blank-DIP
- ⑤ Row No.-Pin No.: 2*XX-2*01P~2*12P
- ⑥ Plug the Pin & Special No.:
D-Without gluten, Row spacing 4.4mm;
F-Halogen Free
- ⑦ Material: N2-PA66 94V-2
- ⑧ Plating Category: SN-Bright Tin Plating ;
V01-Gold Flash
- ⑨ Color : Blank-Natural Color; BK-Black;
GY-Gray; RE-Red



Poles	Dimensions (mm)		Poles	Dimensions (mm)	
	A	B		A	B
2*01	--	5.40	2*07	25.20	30.60
2*02	4.20	9.60	2*08	29.40	34.80
2*03	8.40	13.80	2*09	33.60	39.00
2*04	12.60	18.00	2*10	37.80	43.20
2*05	16.80	22.20	2*11	42.00	47.40
2*06	21.00	26.40	2*12	46.20	51.60

9357WV-2*XXDF-N2SNXX	Nylon 66 UL 94V-2 (Halogen Free)	Brass	Tin-Plated	9357H
9357WV-2*XXD-N2V01XX	Nylon 66 UL 94V-2		Gold-Flash	
9357WV-2*XXD-N2SNXX	Nylon 66 UL 94V-2		Tin-Plated	
PART NO	Material	Material(Pin)	Finish(Pin)	Mates With SWB Housing

2020/03/26	H	EN20200326002	Update Drawing Frame	Zeng	Robing
2017/11/15	G	EN20171115001	Product sizing	Yu wei	Jacky
2015/05/06	F		Modify the drawing frame format	Feng Ping	Bob Sun
DATE	REV	ECN NO	DESCRIPTION	MODIFY	APPROVAL

GENERAL TOLERANCE	
.X	±0.30
.XX	±0.20
.XXX	±0.10
X.°	±2°
PROJECT	



东莞市思索连接器有限公司

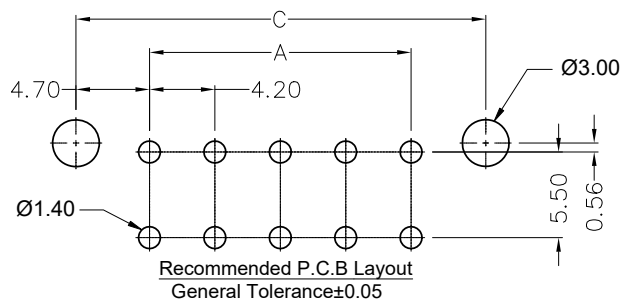
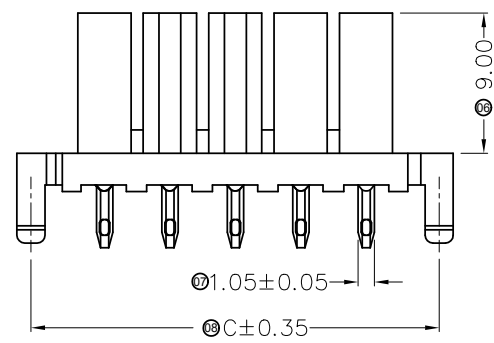
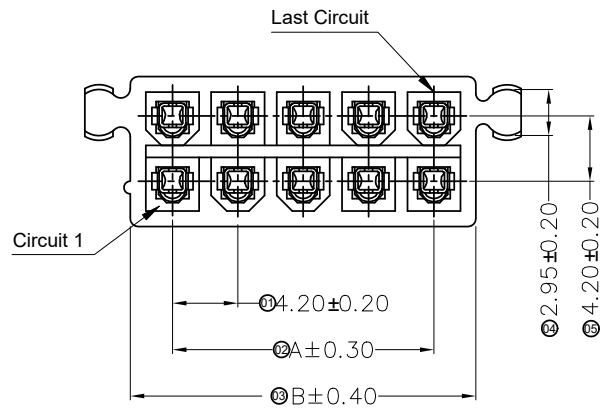
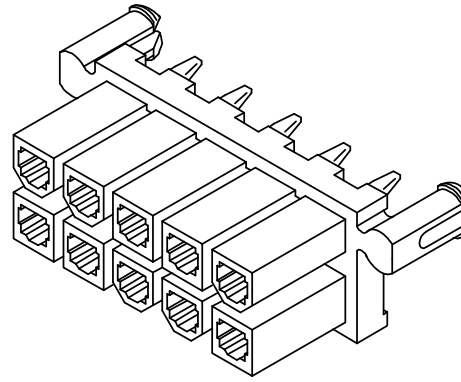
SWB CONNECTORS CO.,LTD

APPROVAL	CHECK	DRAWN	DATE
Robing	Robing	Yu wei	2017/11/15

PART NO.				
9357WV-2*XXDX-XXXX				
TITLE				
4.20 mm Crimp Style Connectors				
UNIT	SCALE	SHEET	REV	NUMBER
mm	1:1	1/1	H	A-053

RoHS

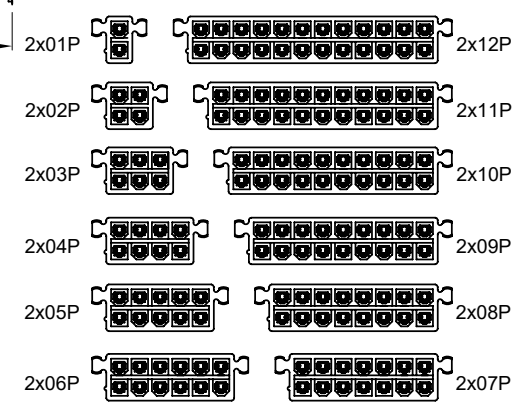
This products can apply to the SWB Doc NO. QA-3-04-005 of Environmental&Material Management Rules



- Specifications :
- Voltage rating: 600V AC / DC
 - Current rating: 9A AC / DC
 - Withstanding voltage: 1500V AC/minute
 - Temperature range: -25°C~+85°C
 - Insulation resistance: ≥1000MΩ
 - Contact resistance: ≤10mΩ
 - After environmental testing: ≤20mΩ
 - Material(Pin): Phosphor Bronze
 - Mates With SWB Housing: 9357HM-2xXX

9357 W V X-2*XX FSA-XX SN XX
 ① ② ③ ④ ⑤ ⑥ ⑦ ⑧ ⑨

- ① Series No.
- ② Category: W-WAFER
- ③ Connector Type: V- Stright 180°
- ④ Mouting Type: Blank-DIP
- ⑤ Row No.-Pin No.: 2*XX-2*01P~2*12P
- ⑥ Plug the Pin & Special No.:
 FSA-The hollow needle with positioning column
- ⑦ Material: N0-PA66 94V-0 ; N2-PA66 94V-2
- ⑧ Plating Code: SN-Bright tin Plating;
- ⑨ Color : Blank-Natural Color



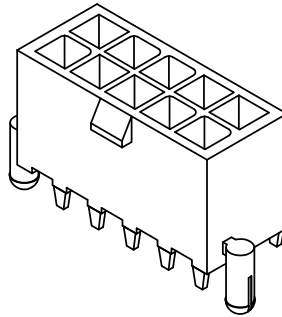
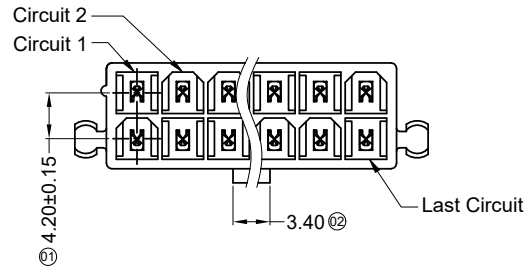
CIRCUIT SIZE LAYOUT

Poles	Dimensions (mm)			Poles	Dimensions (mm)		
	A	B	C		A	B	C
2*01	/	5.40	9.40	2*07	25.20	30.60	34.60
2*02	4.20	9.60	13.60	2*08	29.40	34.80	38.80
2*03	8.40	13.80	17.80	2*09	33.60	39.00	43.00
2*04	12.60	18.00	22.00	2*10	37.80	43.20	47.20
2*05	16.80	22.20	26.20	2*11	42.00	47.40	51.40
2*06	21.00	26.40	30.40	2*12	46.20	51.60	55.60

					GENERAL TOLERANCE .X ±0.30 .XX ±0.20 .XXX ±0.10 X.° ±0.2°				东莞市思索连接器有限公司 SWB CONNECTORS CO.,LTD				PART NO. 9357WV-2*XXFSA-XXSN																																																																		
					APPROVAL				CHECK				DRAWN				DATE				TITLE 4.20 mm Crimp Style Connectors																																																										
2020/03/26					B					EN20200326002					Update Drawing Frame					Zeng					Robing					APPROVAL					CHECK					DRAWN					DATE					UNIT					SCALE					SHEET					REV					NUMBER									
DATE					REV					ECN ON.					DESCRIPTION					MODIFY					APPROVAL					PROJECT					Robing					Zeng					Zeng					2019.08.25					mm					1:1					1/1					B					A-007				

RoHS

This products can apply to the SWB Doc NO. QA-3-04-005 of Environmental&Material Management Rules



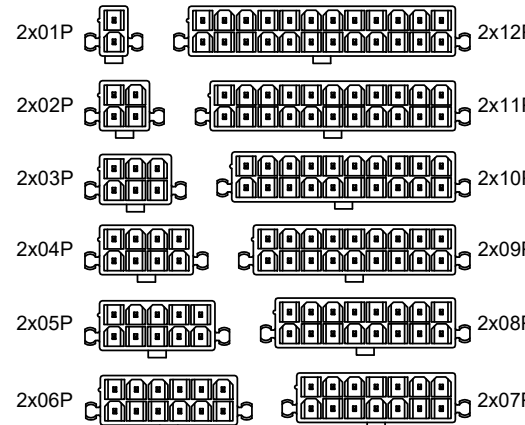
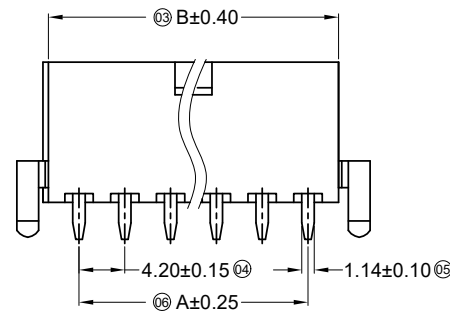
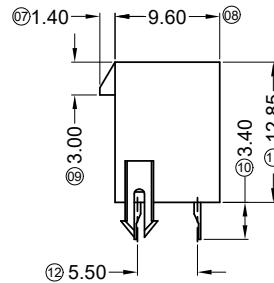
Specifications :

- Voltage rating: 600V AC / DC
- Current rating: 7A AC / DC
- Withstanding voltage: 1500V AC/minute
- Temperature range: -25°C~+85°C
- Insulation resistance: ≥1000MΩ
- Contact resistance: ≤10mΩ
- After environmental testing: ≤20mΩ
- Material(Pin): Brass
- Mates With SWB Housing: 9357HM-2xXX

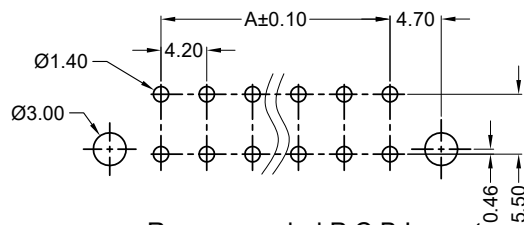
9357 W V X-2*XX FS-XX SN XX -07

①① ①② ①③ ①④ ①⑤ ①⑥ ①⑦ ①⑧ ①⑨

- ①① Series No.
- ①② Category: W-wafer
- ①③ Connetor Type: V-180°
- ①④ Mouting Type: Blank-DIP
- ①⑤ Row No.-Pin No.: 2*XX-Double
- ①⑥ Special NO.:
FS-The hollow needle with positioning column
- ①⑦ Material: N0-PA66 94V-0 ; N2-PA66 94V-2
- ①⑧ Plating Code: SN-Bright Tin
- ①⑨ Color: Blank-Natural Color



Poles	Dimensions(mm)	
	A	B
2*01	---	5.60
2*02	4.20	9.80
2*03	8.40	14.00
2*04	12.60	18.20
2*05	16.80	22.40
2*06	21.00	26.60
2*07	25.20	30.80
2*08	29.40	35.00
2*09	33.60	39.20
2*10	37.80	43.40
2*11	42.00	47.60
2*12	46.20	51.80



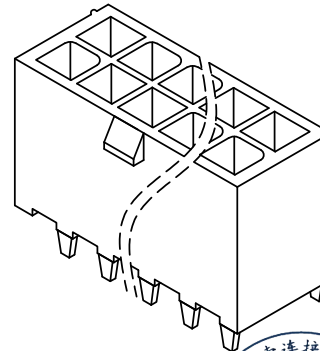
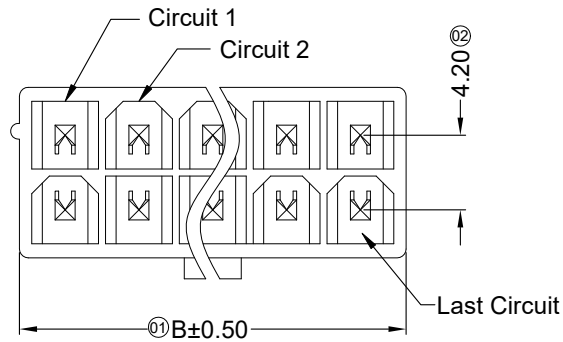
Recommended P.C.B Layout
General Tolerance±0.05

CIRCUIT SIZE LAYOUT

					<p>GENERAL TOLERANCE</p> <p>.X ±0.35</p> <p>.XX ±0.25</p> <p>.XXX ±0.15</p> <p>X.° ±2°</p>				<p>东莞市思索连接器有限公司</p> <p>SWB CONNECTORS CO.,LTD</p>				<p>PART NO.</p> <p>9357WV-2*XXFS-XXSN-07</p>												
					<p>APPROVAL</p> <p>Robing</p>				<p>CHECK</p> <p>z.w</p>				<p>DRAWN</p> <p>Mandy</p>				<p>DATE</p> <p>2019/12/11</p>				<p>TITLE</p> <p>4.20mm Crimp Style Connector</p>				
DATE	REV	ECN NO.	DESCRIPTION	MODIFY	APPROVAL	PROJECT	APPROVAL	CHECK	DRAWN	DATE	UNIT	SCALE	SHEET	REV	NUMBER										
											mm	1:1	1/1	A	A-007										

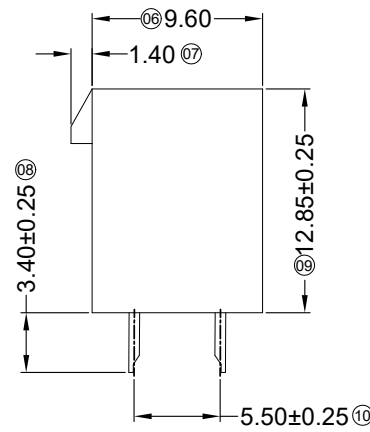
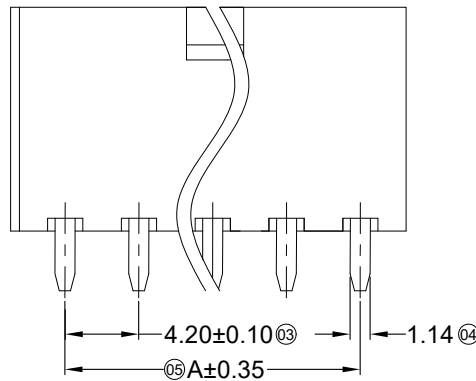
RoHS

This products can apply to the SWB Doc NO. QA-3-04-005 of Environmental&Material Management Rules



■ Specifications :

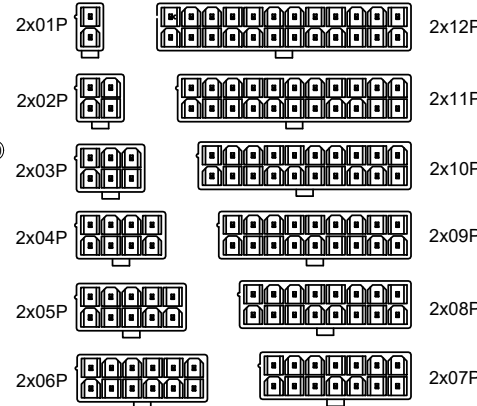
- Voltage rating: 600V AC / DC
- Current rating: 7A AC / DC
- Withstanding voltage: 1500V AC/minute
- Temperature range: -25°C~+85°C
- Insulation resistance: ≥1000MΩ
- Contact resistance: ≤10mΩ
- After environmental testing: ≤20mΩ
- Material(Pin): Brass
- Mates With SWB Housing: 9357HM-2*XX



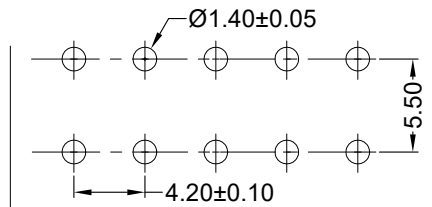
9357 W V X-2*XX HN-XX SN XX XX-07

① ② ③ ④ ⑤ ⑥ ⑦ ⑧ ⑨ ⑩

- ① Series No.
- ② Category: W-wafer
- ③ Connector Type: V-180°
- ④ Mouting Code: Blank-DIP
- ⑤ Row No.-Pin No.: 2*XX-Double
- ⑥ Special NO.: HN-The hollow needle
- ⑦ Material: N0-PA66 94V-0 ; N2-PA66 94V-2
- ⑧ Plating Code: SN-Bright tin plating
- ⑨ Halogen Free Coding: Blank-Ordinary; HF-Halogen-Free
- ⑩ Color: Blank-natural color



Poles	Dimensions(mm)		Poles	Dimensions(mm)	
	A	B		A	B
2*01	---	5.60	2*07	25.20	30.80
2*02	4.20	9.80	2*08	29.40	35.00
2*03	8.40	14.00	2*09	33.60	39.20
2*04	12.60	18.20	2*10	37.80	43.40
2*05	16.80	22.40	2*11	42.00	47.60
2*06	21.00	26.60	2*12	46.20	51.80



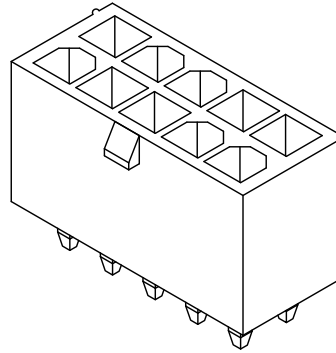
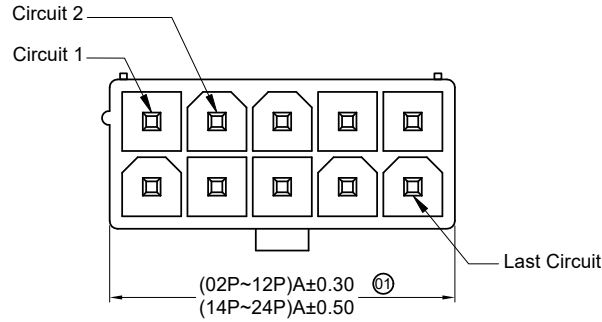
P.C.B. RECOMMENDED LAYOUT

CIRCUIT SIZE LAYOUT

						<p>GENERAL TOLERANCE</p> <p>.X ±0.30</p> <p>.XX ±0.20</p> <p>.XXX ±0.10</p> <p>X.° ±0.2°</p>				<p>东莞市思索连接器有限公司</p> <p>SWB CONNECTORS CO.,LTD</p>				<p>PART NO.</p> <p>9357WV-2*XXHN-XXSNXX-07</p>				
						<p>APPROVAL</p> <p>CHECK</p> <p>DRAWN</p> <p>DATE</p>				<p>TITLE</p> <p>4.20 mm Crimp Style Connectors</p>								
2020/03/26	B	EN20200326002	Update Drawing Frame	Zeng	Robing	Robing	Zeng	Zeng	Zeng	2019.08.25	UNIT	SCALE	SHEET	REV	NUMBER			
DATE	REV	ECN ON.	DESCRIPTION	MODIFY	APPROVAL	Robing	Zeng	Zeng	Zeng	2019.08.25	mm	1:1	1/1	B	A-007			

RoHS

This products can apply to the SWB Doc NO. QA-3-04-005 of Environmental&Material Management Rules

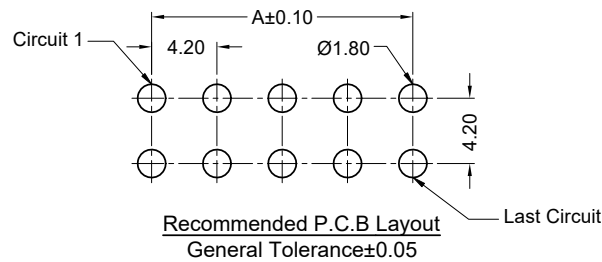
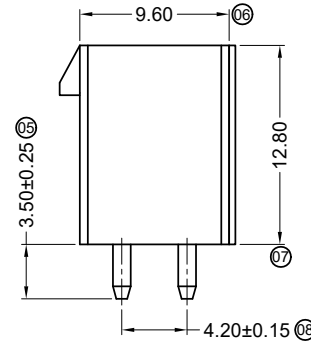
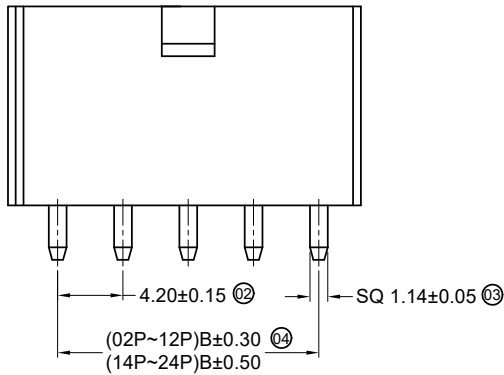


Specifications :

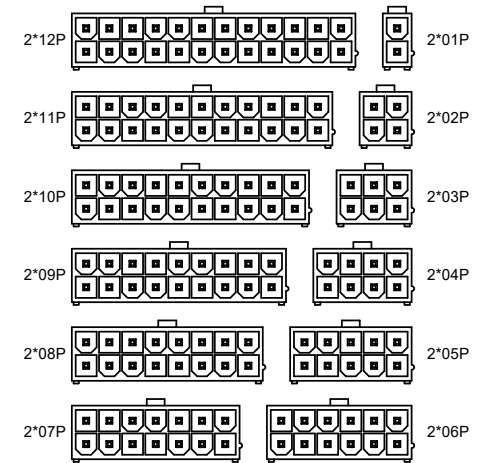
- Voltage rating: 600V AC / DC
- Current rating: 9A AC / DC(Brass)
10A AC / DC(High conductive Brass)
- Withstanding voltage: 1500V AC/minute
- Temperature range: -25°C~+85°C
- Insulation resistance: ≥1000MΩ
- Contact resistance: ≤10mΩ
- After environmental testing: ≤20mΩ
- Material(Pin):Brass
- Mates With SWB Housing: 9357HM-2*XX

9357 W V X-2*XX X-XX XX XX X
① ② ③ ④ ⑤ ⑥ ⑦ ⑧ ⑨ ⑩

- ① Series No.
- ② Category: W-WAFER
- ③ Connector Type: V- Stright 180° ;
- ④ Mounting Type: Blank-DIP
- ⑤ Row No.-Pin No Per Row: 2*XX-2*01P~2*12P
- ⑥ Special No.:Blank-Brass
H-High conductive Brass
- ⑦ Material: N0-PA66 94V-0 ; N2-PA66 94V-2
- ⑧ Plating Code: SN-Bright Tin Plating
SW-Matte Tin Plating
- ⑨ Color : Blank-Natural Color
- ⑩ Packing: Blank-Bag



Poles	Dimensions (mm)		Poles	Dimensions (mm)	
	A	B		A	B
2*01	5.40	--	2*07	30.60	25.20
2*02	9.60	4.20	2*08	34.80	29.40
2*03	13.80	8.40	2*09	39.00	33.60
2*04	18.00	12.60	2*10	43.20	37.80
2*05	22.20	16.80	2*11	47.40	42.00
2*06	26.40	21.00	2*12	51.60	46.20



CIRCUIT SIZE LAYOUT

DATE	REV	ECN NO.	DESCRIPTION	MODIFY	APPROVAL	GENERAL TOLERANCE				PART NO.	TITLE				
						.X	±0.30	.XX	±0.20			.XXX	±0.10	X.°	±2°
2020/03/26	C	EN20200326002	Update Drawing Frame, The Same ECR And ECN NO	Zeng	Robing					9357WV-2*XXX-XXXX	4.20 mm Crimp Style Connectors				
2017/11/21	B		New plate matte Tin specifications	Yu wei	Jacky					APPROVAL	CHECK	DRAWN	DATE		
						PROJECT	Jacky	Yu wei	sylvia	2016/11/28	UNIT	SCALE	SHEET	REV	NUMBER
							mm	1:1	1/1	C	A-053				



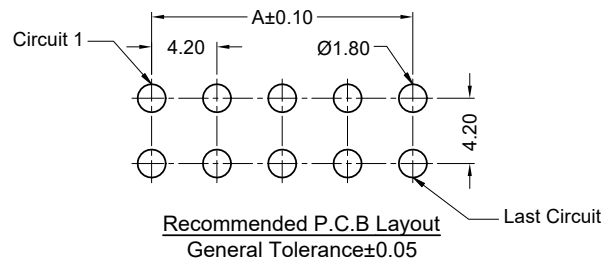
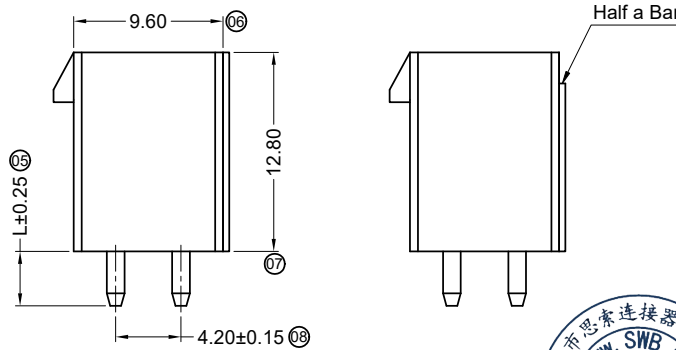
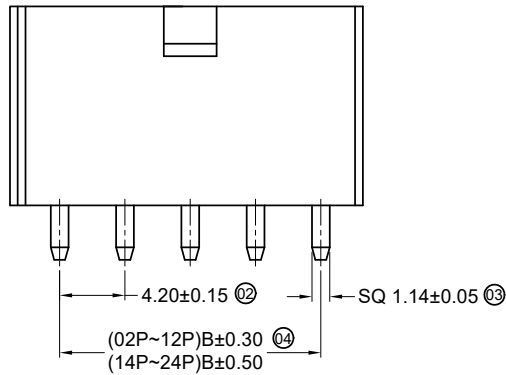
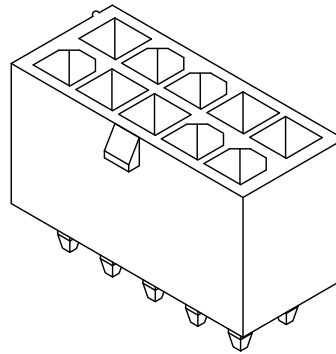
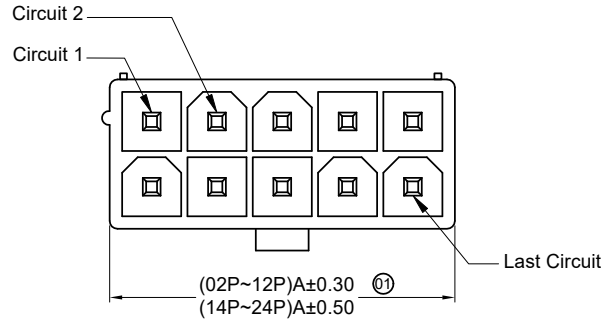
东莞市思索连接器有限公司

SWB CONNECTORS CO.,LTD

PART NO.				
9357WV-2*XXX-XXXX				
TITLE				
4.20 mm Crimp Style Connectors				
UNIT	SCALE	SHEET	REV	NUMBER
mm	1:1	1/1	C	A-053

RoHS

This products can apply to the SWB Doc NO. QA-3-04-005 of Environmental&Material Management Rules



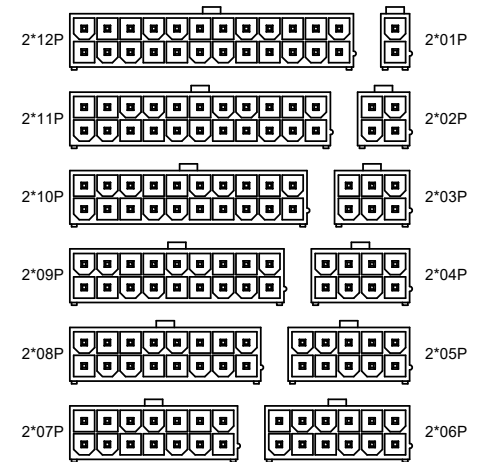
Poles	Dimensions (mm)		Poles	Dimensions (mm)	
	A	B		A	B
2*01	5.40	--	2*07	30.60	25.20
2*02	9.60	4.20	2*08	34.80	29.40
2*03	13.80	8.40	2*09	39.00	33.60
2*04	18.00	12.60	2*10	43.20	37.80
2*05	22.20	16.80	2*11	47.40	42.00
2*06	26.40	21.00	2*12	51.60	46.20

Specifications :

- Voltage rating: 600V AC / DC
- Current rating: 9A AC / DC
- Withstanding voltage: 1500V AC/minute
- Temperature range: -25°C~+85°C
- Insulation resistance: ≥1000MΩ
- Contact resistance: ≤10mΩ
- After environmental testing: ≤20mΩ
- Material(Pin):Brass
- Mates With SWB Housing: 9357HM-2*XX

9357 W V X-2*XX X-XX XX XX X - XX
① ② ③ ④ ⑤ ⑥ ⑦ ⑧ ⑨ ⑩ ⑪

- ① Series No.
- ② Category: W-WAFER
- ③ Connector Type: V- Stright 180° ;
- ④ Mouting Type: Blank-DIP
- ⑤ Row No.-Pin No Per Row: 2*XX-2*01P-2*12P
- ⑥ Special No.:Blank-L=3.50mm
Q-L=4.50mm
M-L=7.00mm
L-L=6.00mm
- ⑦ Material: N0-PA66 94V-0 ; N2-PA66 94V-2
- ⑧ Plating Code: SN-Bright Tin Plating
V01-Gold Flash
- ⑨ Color : Blank-Natural Color ; BK-Black Color
GY-Gray Color ; BL-Blue Color
RE-Red Color
- ⑩ Packing: Blank-Bag
- ⑪ Special No.: Blank-Full a Bar ; 01-Half a Bar



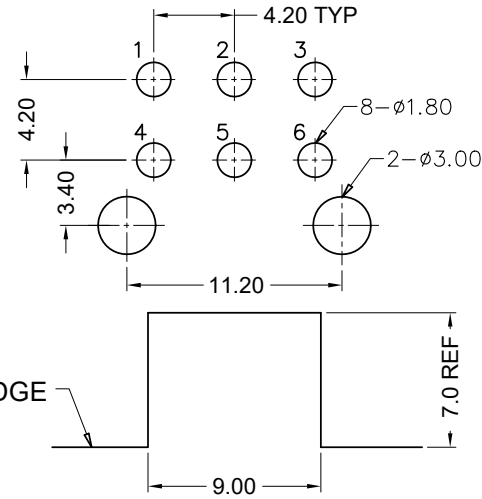
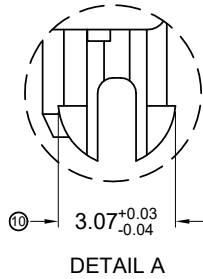
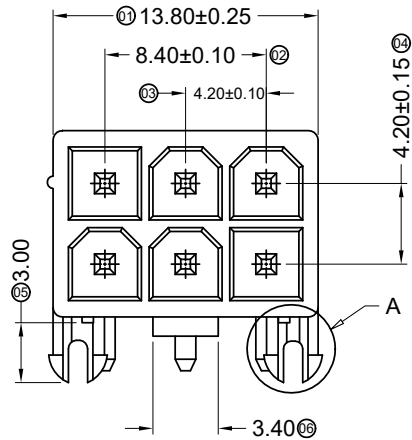
CIRCUIT SIZE LAYOUT



2020/03/26	H	EN20200326002	Update Drawing Frame, The Same ECR And ECN NO	Zeng	Robing	GENERAL TOLERANCE .X ±0.30 .XX ±0.20 .XXX ±0.10 X.° ±2° PROJECT 	东莞市思索连接器有限公司 SWB CONNECTORS CO.,LTD APPROVAL CHECK DRAWN DATE Bob Sun Jova Lau Jova 2007/05/03				PART NO.				
2015/05/06	G		Modify the drawing frame format	Feng Ping	Bob Sun						9357WV-2*XXX-XXXXXXXX-XX				
2015/01/26	F		Add the PIN schematic diagram	sylvia	Bob Sun						TITLE				
DATE	REV	ECN NO.	DESCRIPTION	MODIFY	APPROVAL						4.20 mm Crimp Style Connectors				
							UNIT	SCALE	SHEET	REV	NUMBER				
							mm	1 : 1	1/1	H	A-053				

RoHS

This products can apply to the SWB Doc NO. QA-3-04-005 of Environmental&Material Management Rules



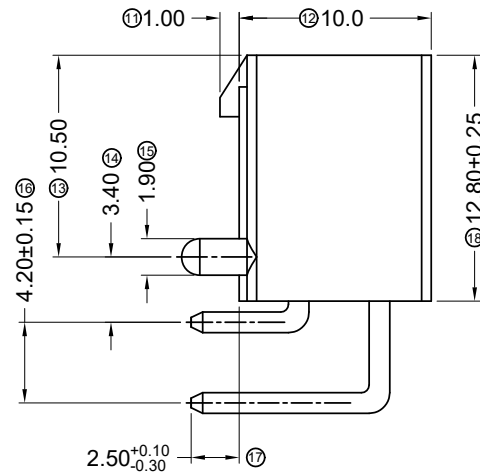
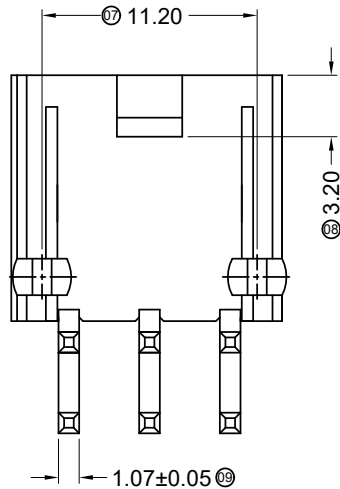
RECOMMEND P.C.B LAYOUT
TOLERANCE:±0.05

Specifications :

- Voltage rating: 600V AC / DC
- Current rating: 9A AC / DC
- Withstanding voltage: 1500V AC/minute
- Temperature range: -25°C~+85°C
- Insulation resistance:≥1000MΩ
- Contact resistance: ≤10mΩ
- After environmental testing: ≤20mΩ

9357 W R X-2*03 SE-LP SW XX H
① ② ③ ④ ⑤ ⑥ ⑦ ⑧ ⑨ ⑩

- ① Series No.
- ② Category: W-wafer
- ③ Welding Board Angle: R- Right Angle 90°
- ④ Welding Way: Blank-DIP
- ⑤ Row No.-Pin No.: 2*03-2*03P
- ⑥ Plug the Pin & Special No.:
SE-With Post, Reversrd Lock,
the 5th Pin Foolproof
- ⑦ Material: LP-LCP 94V-0
- ⑧ Planting Category: SW-Matte tin plating
- ⑨ Color: Blank-Natural Color Black
- ⑩ Blank-Brass H-High conductive Brass



9357WR-2*03SE-LPSWH	LCP UL 94V-0	High conductive Brass	Matte tin Plating	9357HM-2*03A-XXXX
9357WR-2*03SE-LPSWH		Brass		
PART NO	Material	Material(Pin)	Finish(Pin)	Mates With SWB Housing

2020.03.26	G	EN20200326002	Update Drawing Frame, The Same ECR And ECN NO	Zeng	Robing
2018/01/23	F	EN20180123002	New High Conductive Brass Speci	Yu wei	Jacky
2015/09/22	E		Modify the 3.07 ^{+0.03} _{-0.02} to 3.07 ^{+0.03} _{-0.04}	sylvia	Jova Lau
DATE	REV	ECN NO	DESCRIPTION	MODIFY	APPROVAL

GENERAL TOLERANCE	
.X	±0.30
.XX	±0.20
.XXX	±0.10
X°	±2°
PROJECT	



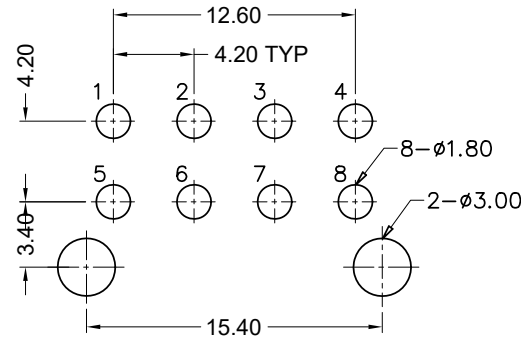
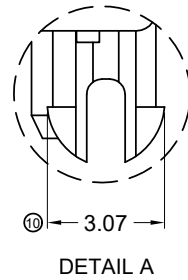
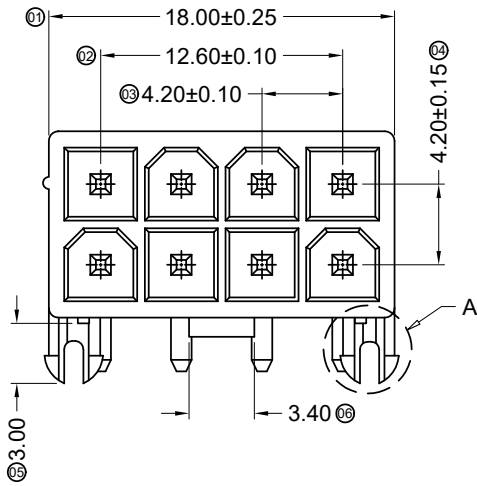
东莞市思索连接器有限公司
SWB CONNECTORS CO.,LTD

APPROVAL	CHECK	DRAWN	DATE
		sylvia	2015/03/26

PART NO. 9357WR-2*03SE-LPSW-X				
TITLE 4.20 mm Crimp Style Connectors				
UNIT	SCALE	SHEET	REV	NUMBER
mm	1:1	1/1	G	A-007

RoHS

This products can apply to the SWB Doc NO. QA-3-04-005 of Environmental&Material Management Rules



RECOMMEND P.C.B LAYOUT
TOLERANCE: ±0.05

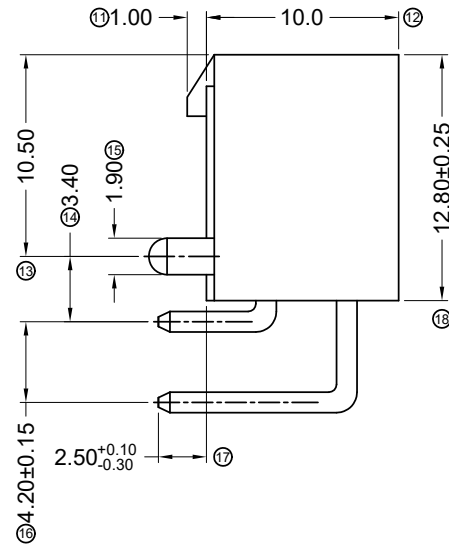
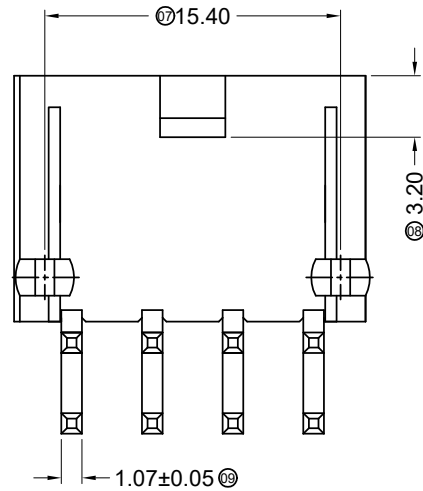
Specifications :

- Voltage rating: 600V AC / DC
- Current rating: 9A AC / DC
- Withstanding voltage: 1500V AC/minute
- Temperature range: -25°C~+85°C
- Insulation resistance: ≥1000MΩ
- Contact resistance: ≤10mΩ
- After environmental testing: ≤20mΩ

9357 W R X-2*04 SE-N0 SW XX

① ② ③ ④ ⑤ ⑥ ⑦ ⑧ ⑨

- ① Series No.
- ② Category: W-wafer
- ③ Welding Board Angle: R- Right Angle 90°
- ④ Welding Way: Blank-DIP
- ⑤ Row No.-Pin No.: 2*04-2*04P
- ⑥ Plug the Pin & Special No.:
SE-With Post,Reversrd Lock,
the 5th Pin Foolproof
- ⑦ Material: N0-PA66 UL94V-0
- ⑧ Planting Category: SW-Matte tin plating
- ⑨ Color: Blank-Natural Color Black

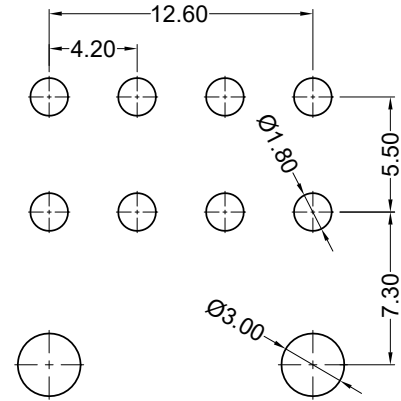
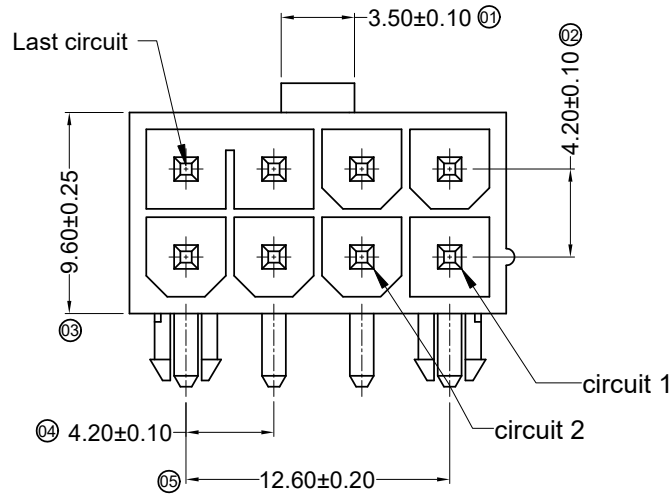


9357WR-2*04SE-N0SW	PA66 UL 94V-0	Brass	Matte tin Plating	9357H
PART NO	Material	Material(Pin)	Finish(Pin)	Mates With SWB Housing

					GENERAL TOLERANCE .X ±0.30 .XX ±0.20 .XXX ±0.10 X.° ±2°				东莞市思索连接器有限公司 SWB CONNECTORS CO.,LTD					PART NO. 9357WR-2*04SE-N0SW				
					PROJECT 				APPROVAL CHECK DRAWN DATE					TITLE 4.20 mm Crimp Style Connectors				
DATE	REV	ECN NO	DESCRIPTION	MODIFY	APPROVAL	sylvia				2015/03/26				UNIT	SCALE	SHEET	REV	NUMBER
1		2		4										mm	1:1	1/1	A	A-007

RoHS

This products can apply to the SWB Doc NO. QA-3-04-005 of Environmental&Material Management Rules



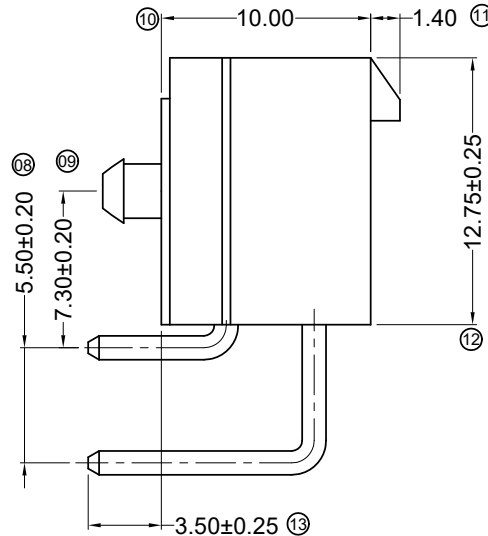
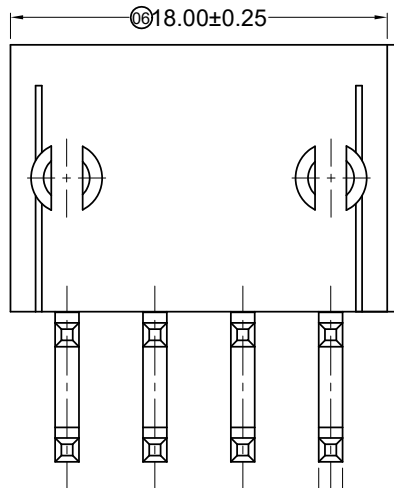
RECOMMENDED P.C.B. HOLE LAYOUT
(TOLERANCE:±0.05)

Specifications :

- Voltage rating: 600V AC / DC
- Current rating: 9A AC / DC
- Withstanding voltage: 1500V AC/minute
- Temperature range: -25°C~+85°C
- Insulation resistance:≥1000MΩ
- Contact resistance: ≤10mΩ

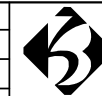
9357 W R X-2*04 EG X - XX XX XX
①②③④⑤⑥⑦⑧⑨

- ① Series No.
- ② Category: W-wafer
- ③ Welding Board Angle:R-180°
- ④ Welding Way:Blank-DIP
- ⑤ Row No.-Pin No.: 2*XX-Double
- ⑥ Plug the Pin & Special NO.
EG-interlinked hole With small buckle
F-Halogen free Black
- ⑦ Material: N0-PA66 94V-0 ; N2-PA66 94V-2
- ⑧ Planting Category:
SN-Bright tin plating 70u"
SW-Fog Tin plating
- ⑨ Color: Blank-natural color



9357WR-2*04EG-N0SN	Nylon 66 UL 94V-0	Brass	Tin-Plated	9357HM-2*04E-XX 9357HM-2*XX
9357WR-2*04EGF-N2SN	Nylon 66 UL 94V-2 Halogen free			
9357WR-2*04EG-N2SN	Nylon 66 UL 94V-2			
PART NO	Material	Material(Pin)	Finish(Pin)	Mates With SWB Housing

						GENERAL TOLERANCE	<p>东莞市思索连接器有限公司 SWB CONNECTORS CO.,LTD</p>	PART NO. 9357WR-2*04EG-XXXX					
						.X ±0.30		TITLE					
						.XX ±0.20		4.20mm Crimp Style Connectors					
2015.05.04	B		Modify the drawing frame format	Feng Ping	Bob Sun	.XXX ±0.10		APPROVAL	CHECK	DRAWN	DATE	UNIT	
DATE	REV	ECN NO	DESCRIPTION	MODIFY	APPROVAL	X° ±2°				Allen	2013/11/23	SCALE	SHEET
						PROJECT					REV	NUMBER	
											B	A-053	

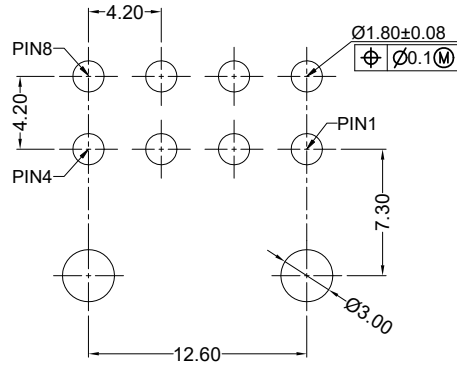
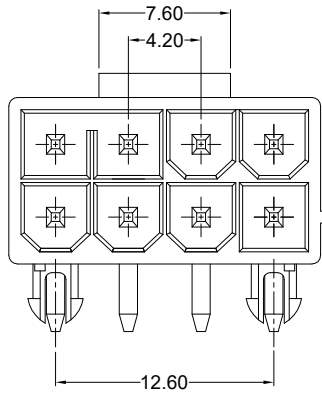


东莞市思索连接器有限公司
SWB CONNECTORS CO.,LTD

PART NO. 9357WR-2*04EG-XXXX				
TITLE 4.20mm Crimp Style Connectors				
UNIT	SCALE	SHEET	REV	NUMBER
mm	1:1	1/1	B	A-053

RoHS

This products can apply to the SWB Doc NO. QA-3-04-005 of Environmental&Material Management Rules



RECOMMENDED P.C.B. HOLE LAYOUT
(TOLERANCE:±0.05)

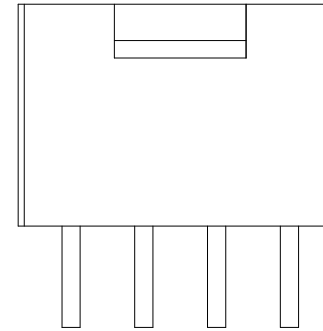
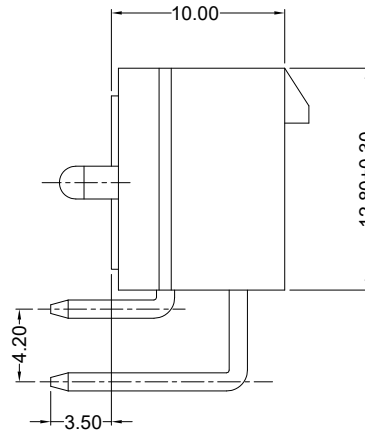
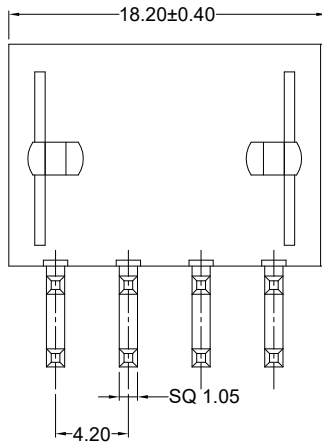
Specifications :

- Voltage rating: 600V AC / DC
- Current rating: 9A AC / DC
- Withstanding voltage: 1500V AC/minute
- Temperature range: -25°C~+85°C
- Insulation resistance:≥1000MΩ
- Contact resistance: ≤10mΩ
- After environmental testing(环境测试后): ≤20mΩ

9357 W R X-2*04 EH X - XX SN XX

① ② ③ ④ ⑤ ⑥ ⑦ ⑧ ⑨

- ① Series No.
- ② Category: W-wafer
- ③ Welding Board Angle:R-180°
- ④ Welding Way:Blank-DIP
- ⑤ Row No.-Pin No.: 2*XX-Double
- ⑥ Plug the Pin & Special NO.
EH-interlinked hole with positioning column
- ⑦ Material: N0-PA66 94V-0 ; N2-PA66 94V-2
LP-LCP UL 94V-0
- ⑧ Planting Category:SN-Bright tin plating 70u"
SW-Fog Tin plating
- ⑨ Color: Blank-natural color;



9357WR-2*04EH-LPSN	LCP UL 94V-0	Brass	Tin-Plated	9357HM-2*04E-XX 9357HM-2*XX
9357WR-2*04EH-N0SW	Nylon 66 UL 94V-0	Brass	Tin Plating Fog	9357HM-2*04E-XX 9357HM-2*XX
9357WR-2*04EH-N2SW	Nylon 66 UL 94V-2	Brass	Tin Plating Fog	9357HM-2*04E-XX 9357HM-2*XX
PART NO	Material	Material(Pin)	Finish(Pin)	Mates With SWB Housing

2015.05.04	B		Modify the drawing frame format	Feng Ping	Bob Sun
DATE	REV	ECN NO	DESCRIPTION	MODIFY	APPROVAL

GENERAL TOLERANCE
.X ±0.30
.XX ±0.20
.XXX ±0.10
X° ±2°
PROJECT

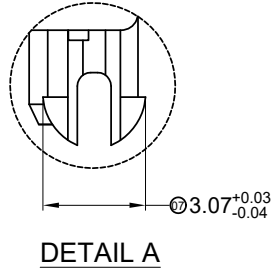
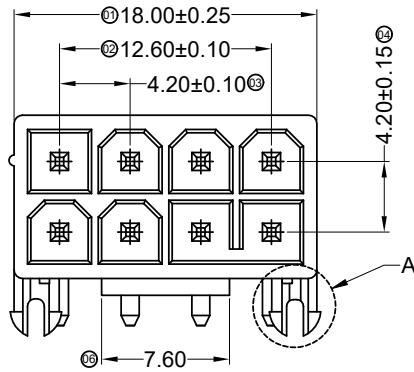
东莞市思索连接器有限公司
SWB CONNECTORS CO.,LTD

APPROVAL: [Signature] CHECK: [Signature] DRAWN: 刘燕 DATE: 2011/06/30

PART NO. 9357WR-2*04EH-XXXX				
TITLE 4.20 mm Crimp Style Connectors				
UNIT	SCALE	SHEET	REV	NUMBER
mm	1:1	1/1	B	A-007

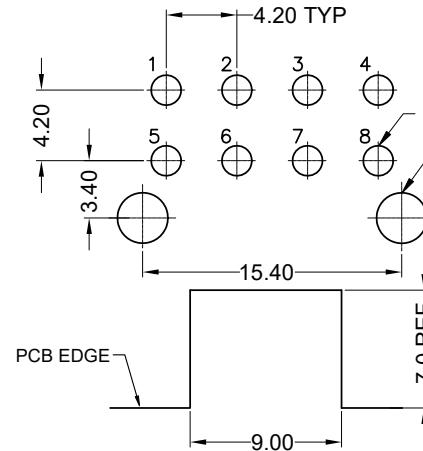
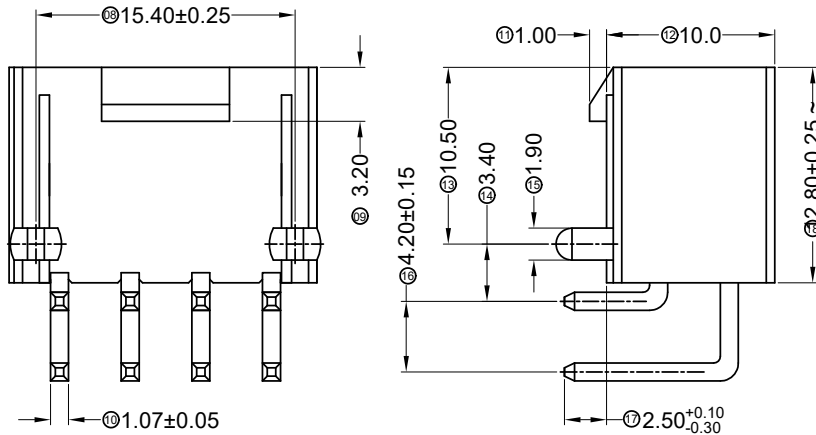
RoHS

This products can apply to the SWB Doc NO. QA-3-04-005 of Environmental&Material Management Rules



Specifications :

- Voltage rating: 600V AC / DC
- Current rating: 9A AC / DC
- Withstanding voltage: 1500V AC/minute
- Temperature range: -25°C~+85°C
- Insulation resistance: ≥1000MΩ
- Contact resistance: ≤10mΩ
- After environmental testing: ≤20mΩ



Recommended P.C.B Layout
General Tolerance±0.05

9357 W R X-2*04 FH-LP SW XX
① ② ③ ④ ⑤ ⑥ ⑦ ⑧ ⑨

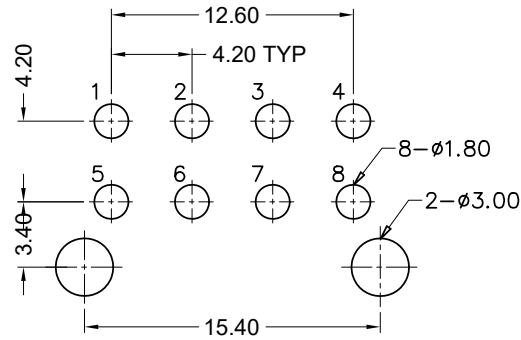
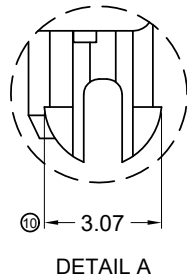
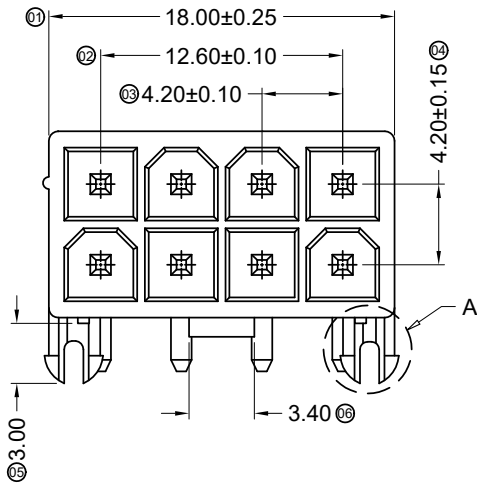
- ① Series No.
- ② Category: W-wafer
- ③ Welding Board Angle: R- Right Angle 90°
- ④ Welding Way: Blank-DIP
- ⑤ Row No.-Pin No.: 2*04-2*04P
- ⑥ Plug the Pin & Special No.:
FH-Mounting peg with linked holes,
With Post, Reversrd Lock,
- ⑦ Material: LP-LCP 94V-0
- ⑧ Planting Category: SW-Matte tin plating
- ⑨ Color: Blank- Black; NC-Natural Color

9357WR-2*04FH-LPSW	LCP UL 94V-0 (halogen free)	Brass	MatteTin-Plated	9357HM-2*XX
PART NO	Material	Material(Pin)	Finish(Pin)	Mates With SWB Housing

2020/03/26	E	EN20200326002	Update Drawing Frame, The Same ECR And ECN NO	sylvania	Jova Lau	GENERAL TOLERANCE .X ±0.30 .XX ±0.20 .XXX ±0.10 X° ±2° PROJECT 	东莞市思索连接器有限公司 SWB CONNECTORS CO.,LTD APPROVAL CHECK DRAWN DATE				PART NO. 9357WR-2*04FH-LPSW				
2015/09/22	D		Modify the 3.07+0.03/-0.02 to 3.07+0.03/-0.04	sylvania	Jova Lau						TITLE 4.20 mm Crimp Style Connectors				
2015/09/09	C		Modify the size	sylvania	Jova Lau						UNIT SCALE SHEET REV NUMBER				
DATE	REV	ECN NO	DESCRIPTION	MODIFY	APPROVAL						Kim Huang	Jova Lau	Allen	2013/06/25	mm

RoHS

This products can apply to the SWB Doc NO. QA-3-04-005 of Environmental&Material Management Rules



RECOMMEND P.C.B LAYOUT
TOLERANCE: ±0.05

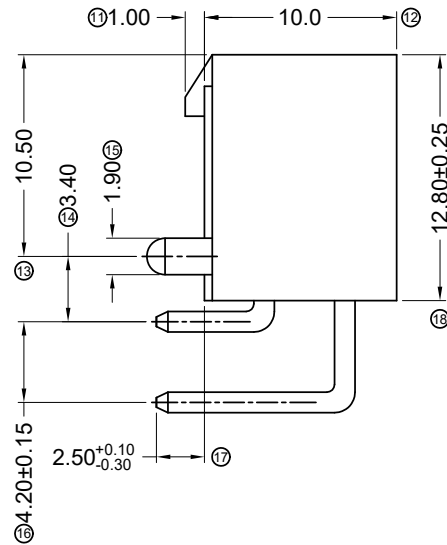
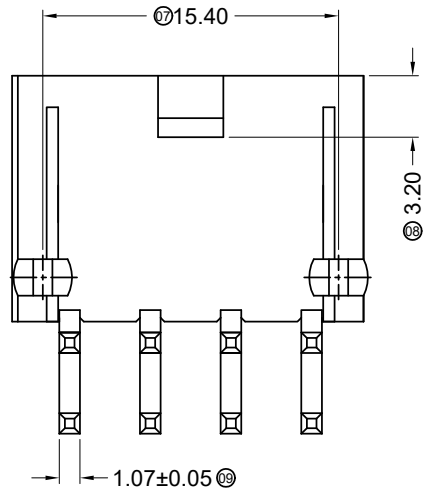
Specifications :

- Voltage rating: 600V AC / DC
- Current rating: 9A AC / DC
- Withstanding voltage: 1500V AC/minute
- Temperature range: -25°C~+85°C
- Insulation resistance: ≥1000MΩ
- Contact resistance: ≤10mΩ
- After environmental testing: ≤20mΩ

9357 W R X-2*04 SE-N0 SW XX

① ② ③ ④ ⑤ ⑥ ⑦ ⑧ ⑨

- ① Series No.
- ② Category: W-wafer
- ③ Welding Board Angle: R- Right Angle 90°
- ④ Welding Way: Blank-DIP
- ⑤ Row No.-Pin No.: 2*04-2*04P
- ⑥ Plug the Pin & Special No.:
SE-With Post, Reversrd Lock,
the 5th Pin Foolproof
- ⑦ Material: N0-PA66 UL94V-0
- ⑧ Planting Category: SW-Matte tin plating
- ⑨ Color: Blank-Natural Color Black

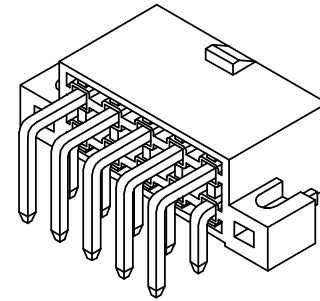
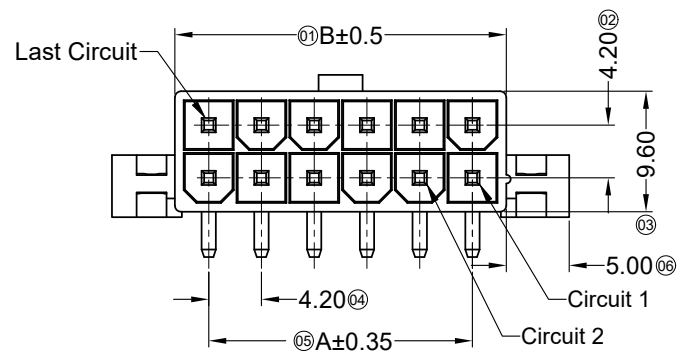


9357WR-2*04SE-N0SW	PA66 UL 94V-0	Brass	Matte tin Plating	9357H
PART NO	Material	Material(Pin)	Finish(Pin)	Mates With SWB Housing

					GENERAL TOLERANCE .X ±0.30 .XX ±0.20 .XXX ±0.10 X.° ±2° PROJECT				东莞市思索连接器有限公司 SWB CONNECTORS CO.,LTD				PART NO. 9357WR-2*04SE-N0SW TITLE 4.20 mm Crimp Style Connectors				
DATE	REV	ECN NO	DESCRIPTION	MODIFY	APPROVAL	APPROVAL	CHECK	DRAWN	DATE	UNIT	SCALE	SHEET	REV	NUMBER			
								sylvia	2015/03/26	mm	1:1	1/1	A	A-007			

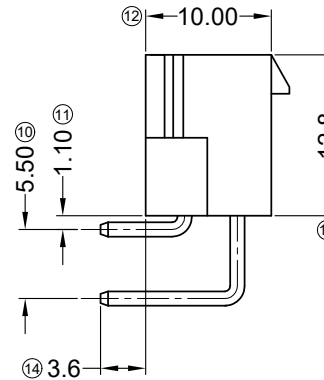
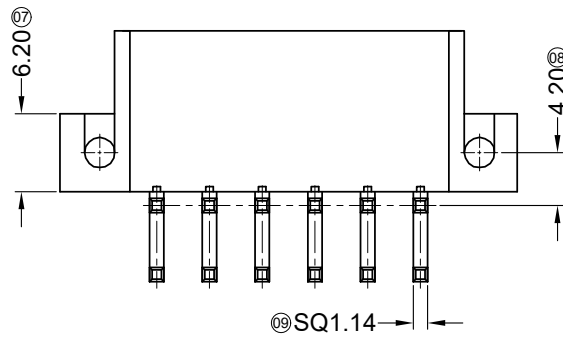
RoHS

This products can apply to the SWB Doc NO. QA-3-04-005 of Environmental&Material Management Rules



■ Specifications :

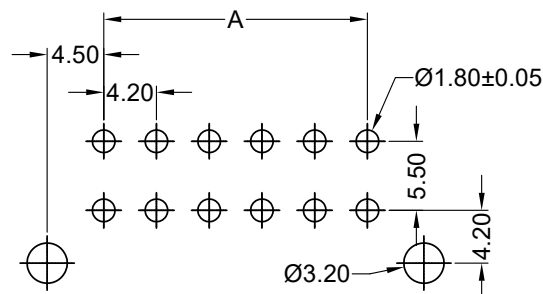
- Voltage rating: 600V AC / DC
- Current rating: 9A AC / DC
- Withstanding voltage: 1500V AC/minute
- Temperature range: -25°C~+85°C
- Insulation resistance: ≥1000MΩ
- Contact resistance: ≤10mΩ
- After environmental testing: ≤20mΩ
- Material(Pin): Brass
- Mates With SWB Housing: 9357HM



9357 W R X-2*XX ES-XX SN XX

① ② ③ ④ ⑤ ⑥ ⑦ ⑧ ⑨

- ① Series No.
- ② Category: W-wafer
- ③ Welding Board Angle: R-Right Angle 90°
- ④ Welding Way: Blank-DIP
- ⑤ Row No.-Pin No.: 2*XX-2*01P~2*12P
- ⑥ Plug the Pin & Special No.:
ES-With Ears and Screw Holes
- ⑦ Material: N0-PA66 94V-0 ; N2-PA66 94V-2
- ⑧ Planting Category: SN-Bright tin plating
- ⑨ Color: Blank-Natural Color



Recommended P.C.B Layout
General Tolerance±0.10



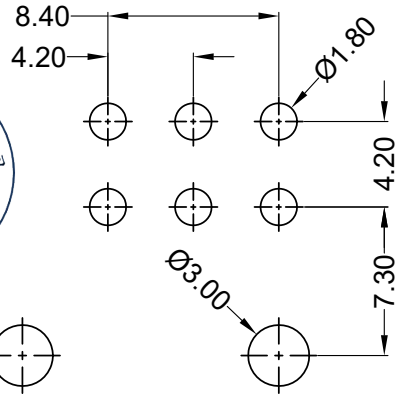
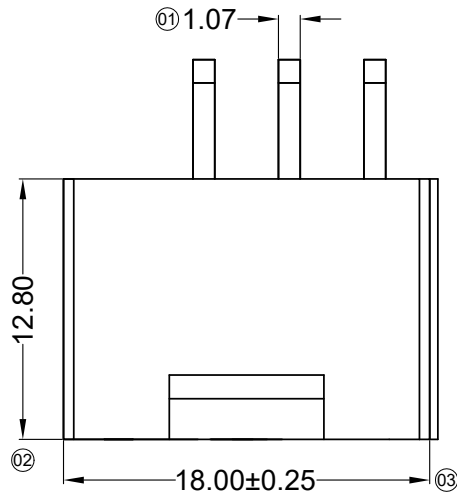
Poles	Dimensions(mm)		Poles	Dimensions(mm)	
	A	B		A	B
2*01	---	5.40	2*07	25.20	30.60
2*02	4.20	9.60	2*08	29.40	34.80
2*03	8.40	13.80	2*09	33.60	39.00
2*04	12.60	18.00	2*10	37.80	43.20
2*05	16.80	22.20	2*11	42.00	47.40
2*06	21.00	26.40	2*12	46.20	51.60

DATE	REV	ECN NO	DESCRIPTION	MODIFY	APPROVAL	PROJECT	APPROVAL	CHECK	DRAWN	DATE	UNIT	SCALE	SHEET	REV	NUMBER
2018/11/02	C	EN20181102002	Revise the surface according to the real object	Joshua	Smark	GENERAL TOLERANCE	东莞市思索连接器有限公司 SWB CONNECTORS CO.,LTD APPROVAL	CHECK	DRAWN	DATE	mm	1:1	1/1	C	A-053
2015/05/04	B		Modify the drawing frame format	Feng Ping	Bob Sun	.X ±0.30									
						.XX ±0.20									
						.XXX ±0.10									
						X° ±2°									
						PROJECT		Joshua	sylvia	2014/07/29					

PART NO.
9357WR-2*XXES-XXSN
TITLE
4.20 mm Crimp Style Connectors

RoHS

This products can apply to the SWB Doc NO. QA-3-04-005 of Environmental&Material Management Rules



Recommended P.C.B Layout
General Tolerance±0.05

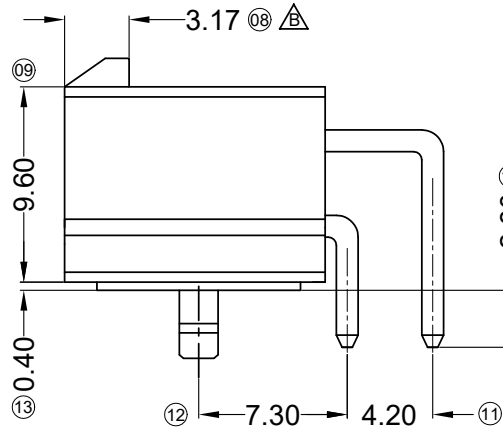
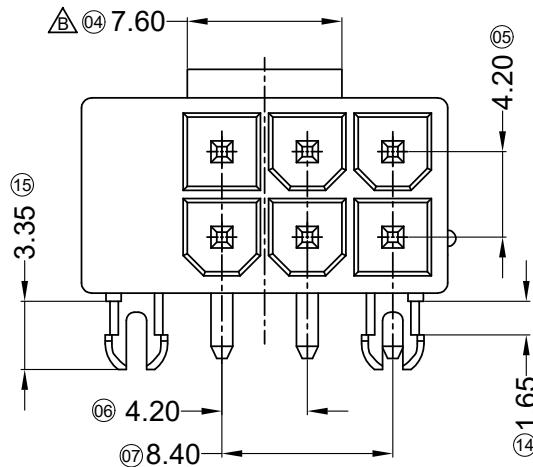
Specifications :

- Voltage rating: 600V AC / DC
- Current rating: 9A AC / DC
- Withstanding voltage: 1500V AC/minute
- Temperature range: -40°C~+105°C
- Insulation resistance: ≥1000MΩ
- Contact resistance: ≤10mΩ
- After environmental testing: ≤20mΩ

9357 W R X - 2*04 SCGF - LP SW XX-X-01

① ② ③ ④ ⑤ ⑥ ⑦ ⑧ ⑨ ⑩ ⑪

- ① Series No.
- ② Category: W-wafer
- ③ Welding Board Angle: R-90°
- ④ Welding Way: Blank-DIP ;
- ⑤ Row No.-Pin No.: 2*04-2X04P
- ⑥ Special NO. SC-With post and fool-proof pin ,Stitch distance=4.2mm, G-DIP=2.8;F-Halogen Free
- ⑦ Material: LP-LCP 94V-0 (Halogen Free)
- ⑧ Planting Category: SW-Matte tin plating Sn 100u" ; Ni:50u" MIN
- ⑨ Color: Blank-natural color ; B-BLACK
- ⑩ Package:T-Tary
- ⑪ Pecial NO : 01-taphole



9357WR-2*04SCGF-LPSWBXX-01	PA9T UL 94V-0 Halogen Free	Brass	Matte tin	
PART NO	Material	Material(Pin)	Finish(Pin)	Mates With SWB Housing

DATE	REV	ECN NO	DESCRIPTION	MODIFY	APPROVAL
2020/07/24	B	ER20200724005	Change the size of lock (3.00mm to 3.17mm,3.40mm to 7.60mm) according to customer requirements	zeng	Robing

GENERAL TOLERANCE	
.X	±0.35
.XX	±0.25
.XXX	±0.15
X°	±2°
PROJECT	

东莞市思索连接器有限公司
SWB CONNECTORS CO.,LTD
 APPROVAL CHECK DRAWN DATE
 Zeng 2020/02/26

PART NO.				
9357WR-2*04SCGF-LPSWBXX-01				
TITLE				
4.20mm Crimp Style Connectors				
UNIT	SCALE	SHEET	REV	NUMBER
mm	1:1	1/1	B	A-007

RoHS

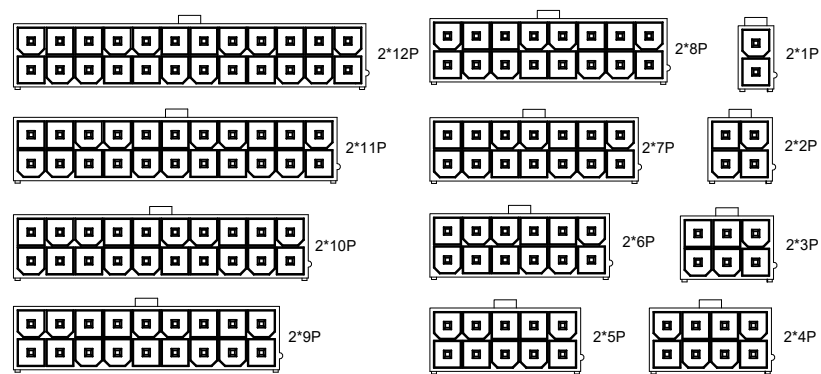
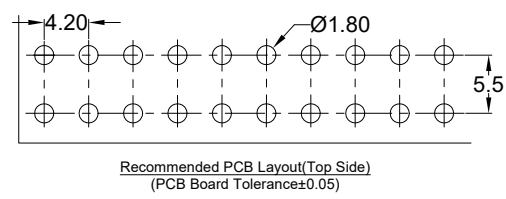
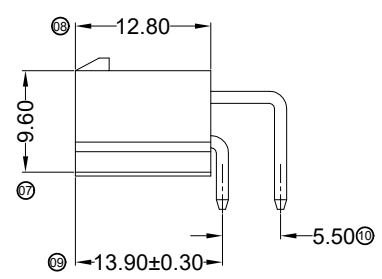
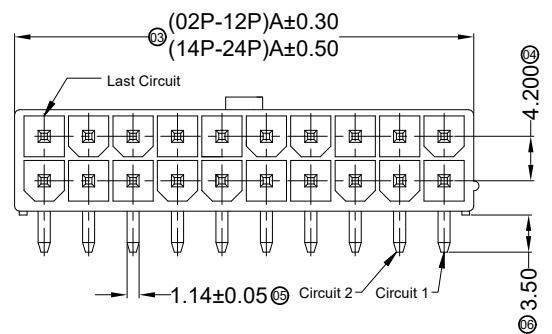
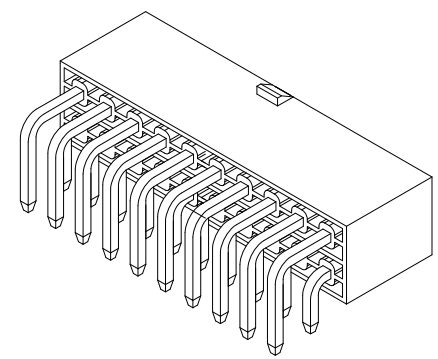
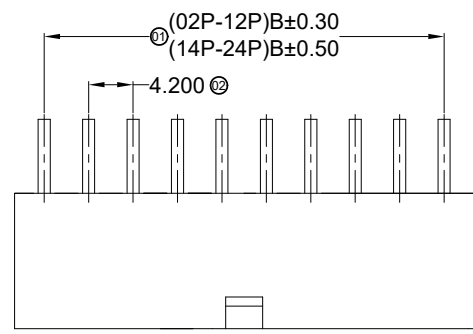
This products can apply to the SWB Doc NO. QA-3-04-005 of Environmental&Material Management Rules

■ Specifications :

- Voltage rating: 600V AC / DC
- Current rating: 9A AC / DC
- Withstanding voltage: 1500V AC/minute
- Temperature range: -25°C~+85°C
- Insulation resistance:≥1000MΩ
- Contact resistance: ≤10mΩ
- After environmental testing: ≤20mΩ
- Material(Pin): Brass
- Mates With SWB Housing:9357HM-2*XX

9357 W R X - 2*XX X - XX XX XX - XX
 ① ② ③ ④ ⑤ ⑥ ⑦ ⑧ ⑨ ⑩

- ① Series No.
- ② Category: W-wafer
- ③ Connector Type: R-90°
- ④ Mounting Type: Blank-DIP
- ⑤ Row No.-Pin No.: 2*XX-Double
- ⑥ Special NO. : F-HF
- ⑦ Material: N0-PA66 94V-0; N2-PA66 94V-2
- ⑧ Planting Code:
V01-Gold Flash ;
SN-Bright tin plating
- ⑨ Color: Blank-Natural Color BK-Black
- ⑩ Special NO: Blank ; 07



Poles	Dimensions(mm)		Poles	Dimensions(mm)	
	A	B		A	B
2*01	5.60	---	2*07	30.80	25.20
2*02	9.80	4.20	2*08	35.00	29.40
2*03	14.00	8.40	2*09	39.20	33.60
2*04	18.20	12.60	2*10	43.40	37.80
2*05	22.40	16.80	2*11	47.60	42.00
2*06	26.60	21.00	2*12	51.80	46.20

2015.05.04	G		Modify the drawing frame format	Feng Ping	Bob Sun	东莞市思索连接器有限公司 SWB CONNECTORS CO.,LTD				PART NO. 9357WR-2*XXX-XXXX				
2014/09/16	F		Add PIN schematic diagram	sylvia	Joshua					APPROVAL				TITLE 4.20mm Crimp Style Connectors
2014/05/09	E		Add Part N0	sylvia	Joshua	CHECK				UNIT	SCALE	SHEET	REV	NUMBER
DATE	REV	ECN NO	DESCRIPTION	MODIFY	APPROVAL	DRAWN				mm	1:1	1/1	G	A-007 A-053
						DATE								
						Robing								
						Guo								
						刘艳								
						2007/05/03								