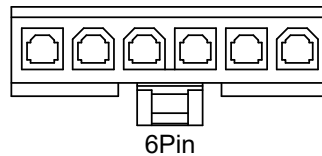
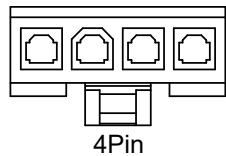
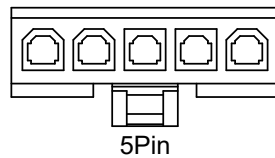
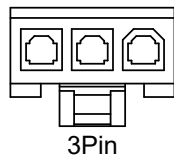
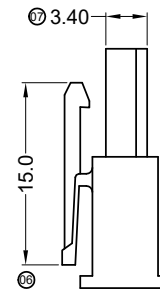
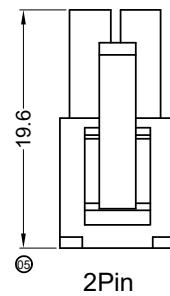
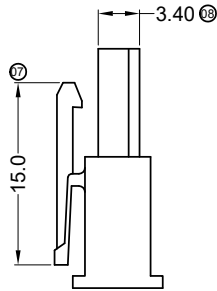
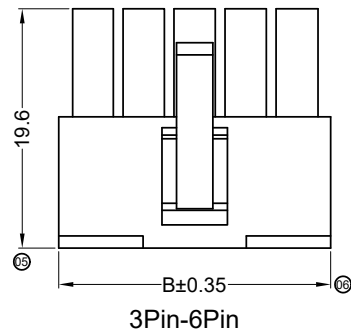
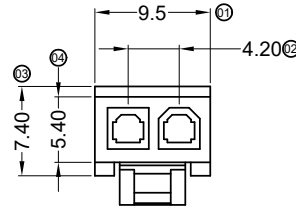
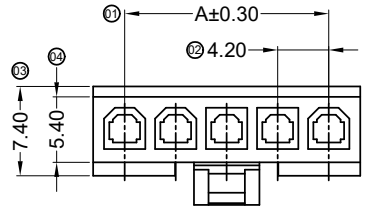




RoHS

This products can apply to the SWB Doc NO. QA-3-04-005 of Environmental&Material Management Rules



Specifications :

- Voltage rating: 600V AC / DC
- Current rating: 9A AC / DC
- Withstanding voltage: 1500V AC/minute
- Temperature range: -25°C~+85°C
- Insulation resistance: ≥1000MΩ
- Contact resistance: ≤10mΩ
- After environmental testing: ≤20mΩ
- Suitable SWB Terminal: 9357TF0/TF
- Mates With SWB Wafer Or Housing: 9357W Or 9357HF

9357 H M-XX XX-XX XX

① ② ③ ④ ⑤ ⑥ ⑦

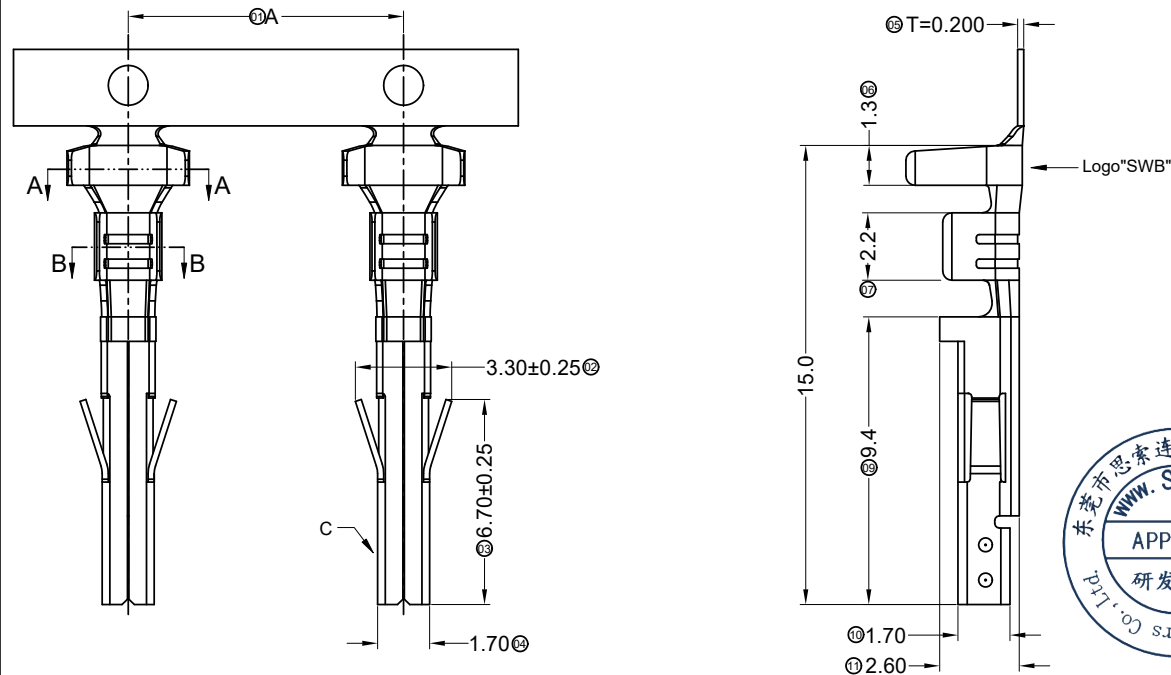
- ① Series No.
- ② Category: H-HSG
- ③ Welding Board Angle: M-Male housing
- ④ Row No.-Pin No.: XX-02P~06P
- ⑤ Plug the Pin & special No.:
- ⑥ Material: N0-PA66 94V-0; N2-PA66 94V-2
- ⑦ Color : Blank-Natural Color BK-Black Color

Poles	Dimensions(mm)	
	A	B
02	4.20	9.50
03	8.40	13.70
04	12.60	17.90
05	16.80	22.20
06	21.00	26.30

					<p>GENERAL TOLERANCE</p> <p>.X ±0.30</p> <p>.XX ±0.20</p> <p>.XXX ±0.10</p> <p>X.° ±2°</p>				<p>东莞市思索连接器有限公司</p> <p>SWB CONNECTORS CO.,LTD</p>				<p>PART NO.</p> <p>9357HM-XX-XX</p>												
					<p>APPROVAL</p> <p>Smak</p>				<p>CHECK</p> <p>Guo</p>				<p>DRAWN</p> <p>sylvia</p>				<p>DATE</p> <p>2014/09/23</p>				<p>TITLE</p> <p>4.20 mm Crimp Style Connectors</p>				
2015.05.04	B		Modify the drawing frame format	Feng Ping	Bob Sun									UNIT	SCALE	SHEET	REV	NUMBER							
DATE	REV	ECN NO.	DESCRIPTION	MODIFY	APPROVAL	PROJECT								MM	1:1	1/1	A-043	B							

RoHS

This products can apply to the SWB Doc NO. QA-3-04-005 of Environmental&Material Management Rules

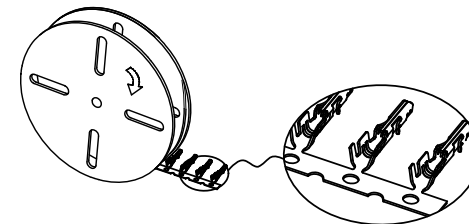


■ Specifications :

- Voltage rating: 600V AC / DC
- Current rating: 9A AC / DC
- Withstanding voltage: 1500V AC/minute
- Temperature range: -25°C~+85°C
- Insulation resistance:  $\geq 1000M\Omega$
- Contact resistance:  $\leq 10m\Omega$
- After environmental testing:  $\leq 20m\Omega$

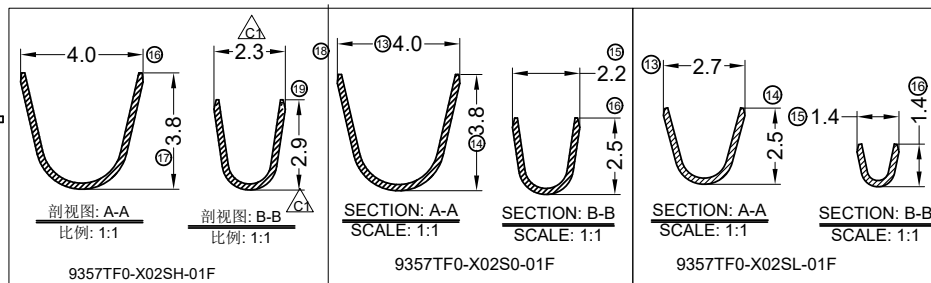
9357 T F 0 - X XX X X - 01 F  
① ② ③ ④ ⑤ ⑥ ⑦ ⑧ ⑨ ⑩

- ① Series Number
- ② Category: T-terminal
- ③ Shape: F-Female
- ④ Shape: 0-Ordinary
- ⑤ Material: B-Brass P-Phosphor Bronze
- ⑥ Plating style: 02-Ni 30 $\mu$ " Sn 80 $\mu$ " Min  
20-Ni 30 $\mu$ " Contact area G/F
- ⑦ Plating method: S-Stamping before plating
- ⑧ L-Ultra low foot, 0-Ordinary foot, H-Height foot
- ⑨ Water Code: 01
- ⑩ Special Code: F-Other connectors



Package way

SCALE 4:1



9357TF0-X02SL-01F	Barss or Phosphor Bronze	6.20mm $\Delta$	24~26 AWG	1.5mm(Max)	9357HM
9357TF0-X02S0-01F		9.00mm	18~22 AWG	2.10mm(Max)	
9357TF0-X02SH-01F		9.00mm	16~18 AWG	3.10mm(Max)	
PART NO	Material	DIM A	Wire Range	Insulation O.D.	Used In SWB Housing

2022/05/25	C1	EN20220525001	Added height specifications	Zeng	Robing	GENERAL TOLERANCE
2020/03/26	C	EN20200326002	Update Drawing Frame, The Same ECR And ECN NO	Zeng	Robing	.X $\pm 0.30$
2019/05/15	B	EN20190515002	Modify hole spacing of material belt $\Delta$	Joshua	Smarm	.XX $\pm 0.20$
DATE	REV	ECN ON.	DESCRIPTION	MODIFY	APPROVAL	.XXX $\pm 0.10$
						X. $^{\circ}$ $\pm 2^{\circ}$
						PROJECT
						Smarm



东莞市思索连接器有限公司  
SWB CONNECTORS CO.,LTD

PART NO.				
9357TF0-X02SX-01F				
TITLE				
4.20mm Crimp Style Connectors				
UNIT	SCALE	SHEET	REV	NUMBER
mm	1:1	1/1	C1	A-218

APPROVAL	CHECK	DRAWN	DATE
Smarm	Guo	Hai Lang	2018-06-28

RoHS

This products can apply to the SWB Doc NO. QA-3-04-005 of Environmental&Material Management Rules

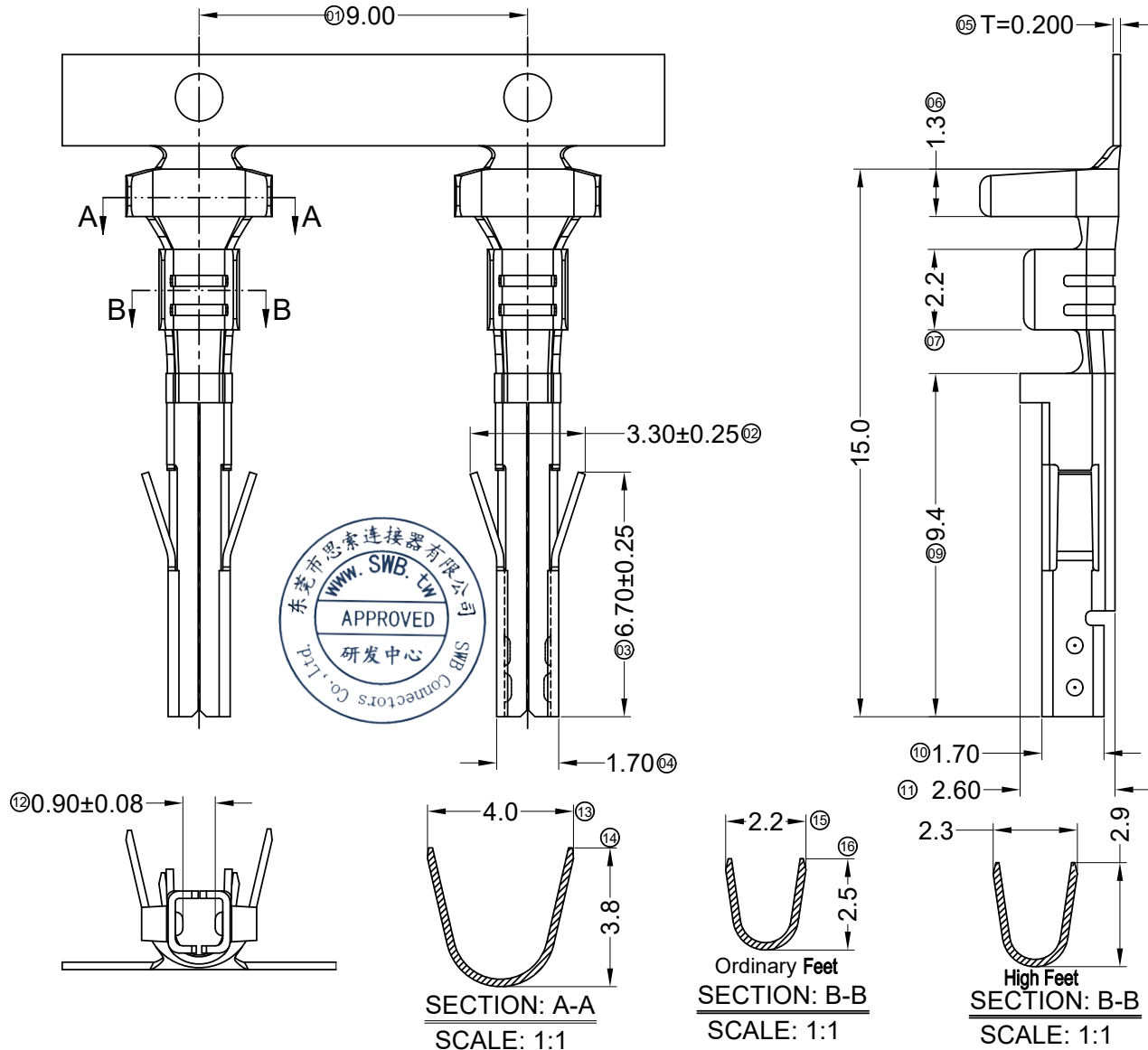
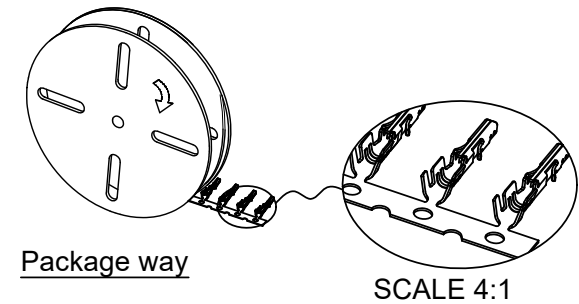
■ Specifications :

- Voltage rating: 600V AC / DC
- Current rating: 12.5A AC / DC(16 AWG)
- Withstanding voltage: 1500V AC/minute
- Temperature range: -25°C~+85°C
- Insulation resistance:≥1000MΩ
- Contact resistance: ≤10mΩ
- After environmental testing: ≤20mΩ
- Used In SWB Housing:9357HM

9357 T X F -H XX X-X

- ① Series Number
- ② Category: T-terminal
- ③ Special NO: Blank-Ordinary Feet ; H-High Feet;
- ④ Shape: F-Female
- ⑤ Material: H-High conductivity copper
- ⑥ Plating style:  
SN-60u" Ni;120u"Sn Min.  
G01-30u" Min Ni;Contact area Gold Flash  
G03-30u" Min Ni;Contact area gold 3u"
- ⑦ Plating method: Blank-Stamping before plating
- ⑧ Mold No./Mark/Special No.

9357TF-HXX	18~22AWG	2.10mm (Max)
9357THF-HXX	16~18AWG	3.10mm (Max)
P/N	Wire Range	Insulation O.D.

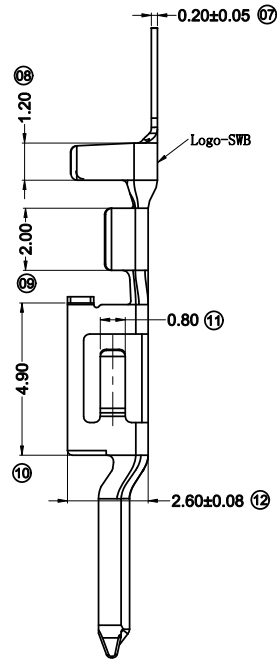
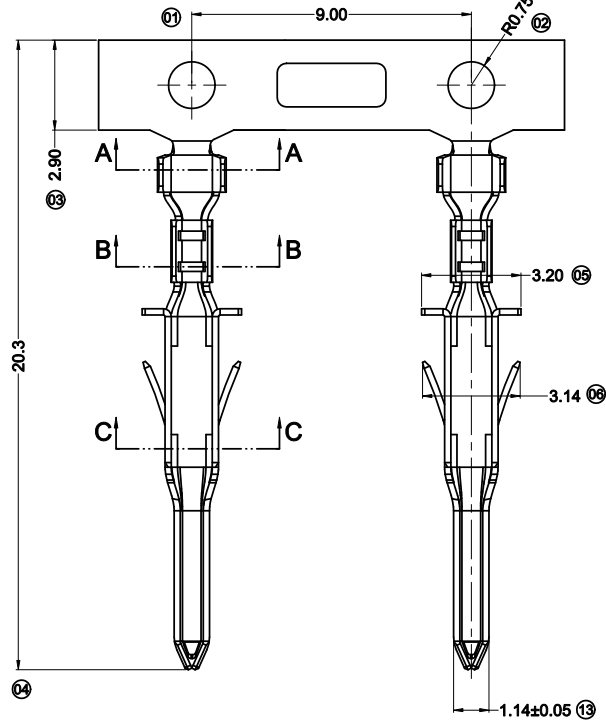


2022/05/23	B1	EN20220523001	Add High Feet	Zeng	Robing
2020/03/26	B	EN20200326002	Update Drawing Frame	Zeng	Robing
DATE	REV	ECN NO	DESCRIPTION	MODIFY	APPROVAL

GENERAL TOLERANCE .X ±0.30 .XX ±0.20 .XXX ±0.10 X° ±2°				PROJECT 				APPROVAL Smark Joshua Jason 2016/03/22			
东莞市思索连接器有限公司 SWB CONNECTORS CO.,LTD						PART NO. 9357TXF-HXXX					
TITLE 4.20mm Crimp Style Connectors						UNIT SCALE SHEET REV NUMBER mm 1:1 1/1 B1 A-218					

RoHS

This products can apply to the SWB Doc NO. QA-3-04-005 of Environmental&Material Management Rules



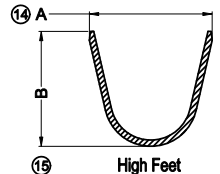
■ Specifications :

- Voltage rating: 600V AC / DC
- Current rating: 9A Max AC / DC
- Withstanding voltage: 1500V AC/minute
- Temperature range: -25°C~+85°C
- Insulation resistance: ≥1000MΩ
- Contact resistance: ≤10mΩ
- After environmental testing: ≤20mΩ

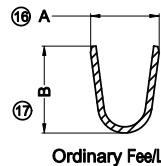
9357 T M-X SN X-X

① ② ③ ④ ⑤ ⑥ ⑦

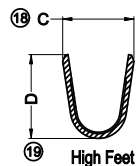
- ① Series No.
- ② Category: T-Terminal
- ③ Connector type: M-Male Terminal
- ④ Material: B-Brass; P-Phosphor Bronze
- ⑤ Plating code: SN-Bright Tin Plating
- ⑥ Plating Method :  
Blank-Stamping before Plating
- ⑦ Special N0: Blank-Ordinary Feet  
L-Low Feet ; H-High Feet;



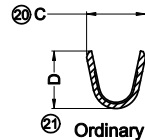
High Feet  
SECTION: A-A  
SCALE: 1:1



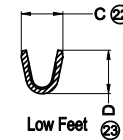
Ordinary Feet/Low Feet  
SECTION: A-A  
SCALE: 1:1



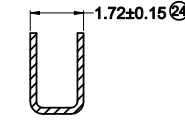
High Feet  
SECTION: B-B  
SCALE: 1:1



Ordinary Feet  
SECTION: B-B  
SCALE: 1:1



Low Feet  
SECTION: B-B  
SCALE: 1:1



SECTION: C-C  
SCALE: 1:1

9357TM-XXX-H	AWG#16~18 (0.8~1.00mm <sup>2</sup> )	2.1mm(Max)	3.95	3.70	2.30	2.70	9357HF
9357TM-XXX	AWG#20~22 (0.5~0.35mm <sup>2</sup> )	1.50mm(Max)	2.20	2.80	1.90	1.85	
9357TM-XXX-L	AWG#24~26 (0.22~0.13mm <sup>2</sup> )	1.30mm(Max)	2.20	2.80	1.34	1.40	

料号	线芯 O.D	绝缘 O.D	DIM a	DIM b	DIM c	DIM d	Used In SWB Housing
----	--------	--------	-------	-------	-------	-------	---------------------



DATE	REV	ECN NO	DESCRIPTION	MODIFY	APPROVAL
------	-----	--------	-------------	--------	----------

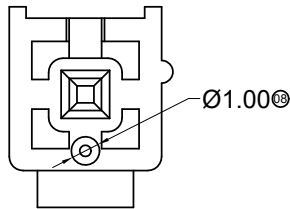
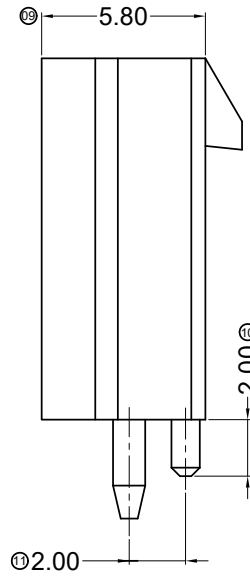
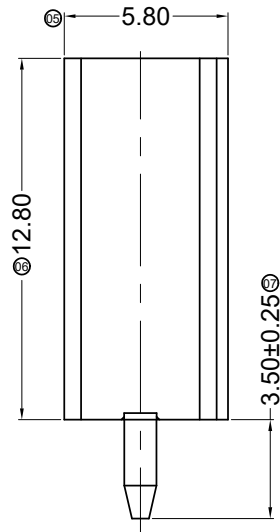
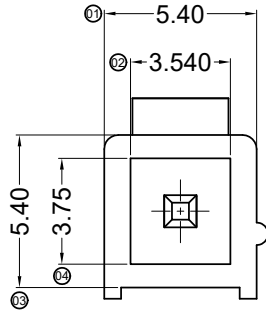
GENERAL TOLERANCE	
.X	±0.30
.XX	±0.20
.XXX	±0.10
X.°	±2°
PROJECT	

东莞市思索连接器有限公司 SWB CONNECTORS CO.,LTD				APPROVAL	CHECK	DRAWN	DATE
Larry				/	Zeng	2021/12/21	

PART NO. 9357TM-XSN-X				
TITLE 4.20 mm Crimp Style Connectors				
UNIT	SCALE	SHEET	REV	NUMBER
mm	1:1	1/1	A0	A-000

RoHS

This products can apply to the SWB Doc NO. QA-3-04-005 of Environmental&Material Management Rules



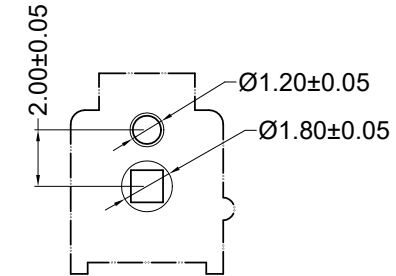
Specifications :

- Voltage rating: 600V AC / DC
- Current rating: 9A AC / DC
- Temperature range: -25°C~+85°C
- Contact resistance: ≤10mΩ

9357 W V X-01 P- N0 XX BK B

① ② ③ ④ ⑤ ⑥ ⑦ ⑧ ⑨ ⑩

- ① Series No.
- ② Category: W-wafer
- ③ Welding Board Angle:V-180°
- ④ Welding Way:Blank-DIP
- ⑤ Row No.-Pin No.: 01-1P
- ⑥ Special N0.: P-Post
- ⑦ Material: N0-PA66 94V-0
- ⑧ Planting Category:SW2-Matte Tin plating 120u" V01- All Gold Flash
- ⑨ Color: BK-Black
- ⑩ Packing Form: B-Bag



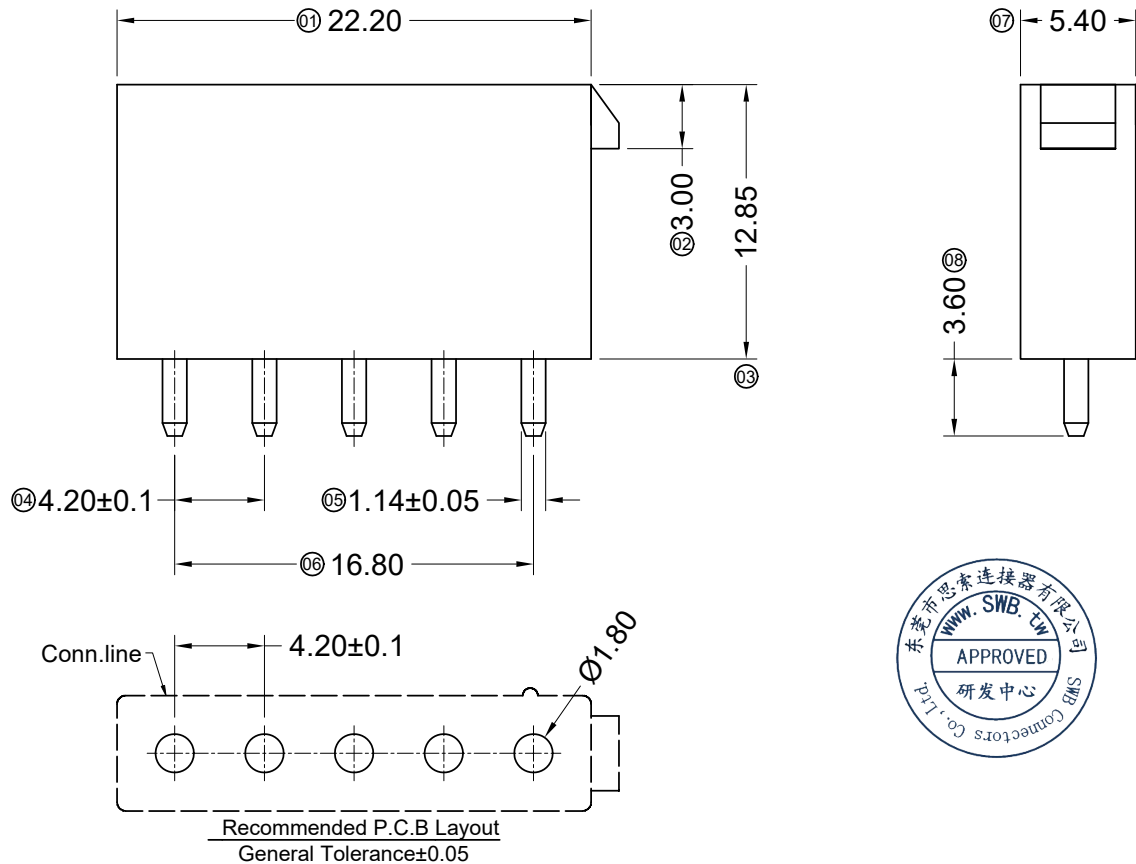
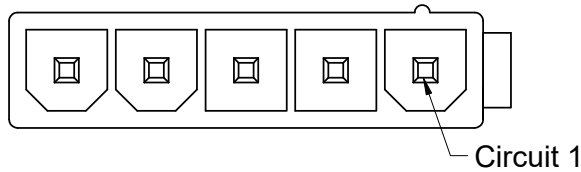
RECOMMEND P.C.B LAYOUT

9357WV-01P-N0SW2BK	PA66	Brass	Tin-Plated
9357WV-01P-N0V01BK	PA66	Brass	Gold-Flash
PART NO	Material	Material(Pin)	Finish(Pin)

						<p>GENERAL TOLERANCE</p> <p>.X ±0.30</p> <p>.XX ±0.20</p> <p>.XXX ±0.10</p> <p>X° ±2°</p>				<p>东莞市思索连接器有限公司</p> <p>SWB CONNECTORS CO.,LTD</p>				<p>PART NO.</p> <p>9357WV-01P-N0XXBK</p>													
						<p>APPROVAL</p> <p>Jacky</p>				<p>CHECK</p> <p>Jacky</p>				<p>DRAWN</p> <p>Yu wei</p>				<p>DATE</p> <p>2017/07/15</p>				<p>TITLE</p> <p>4.2 mm Crimp Style Connectors</p>					
2020.03.26	B	EN20200326002	Update Drawing Frame	Zeng	Robing	PROJECT		UNIT		SCALE		SHEET		REV		NUMBER		mm		1:1		1/1		B		A-000	

RoHS

This products can apply to the SWB Doc NO. QA-3-04-005 of Environmental&Material Management Rules



■ Specifications :

- Voltage rating: 600V AC / DC
- Current rating: 7A AC / DC
- Withstanding voltage: 1500V AC/minute
- Temperature range: -25°C~+85°C
- Insulation resistance:≥1000MΩ
- Contact resistance: ≤10mΩ
- After environmental testing: ≤20mΩ

9357 W V X - 1 x 05 - N2 B B 02 B R 001 F

① ② ③ ④ ⑤ ⑥ ⑦ ⑧ ⑨ ⑩ ⑪ ⑫ ⑬

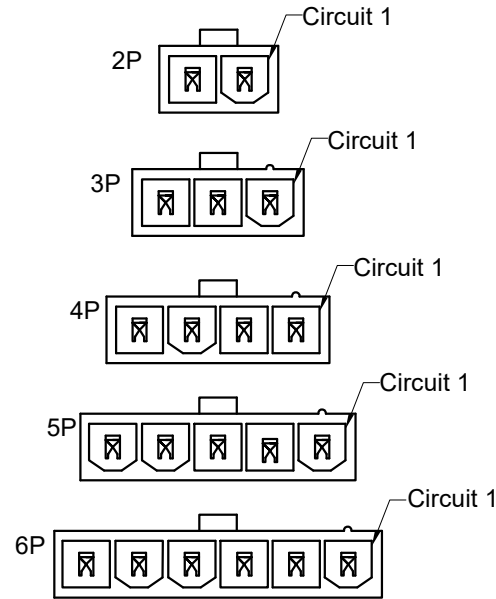
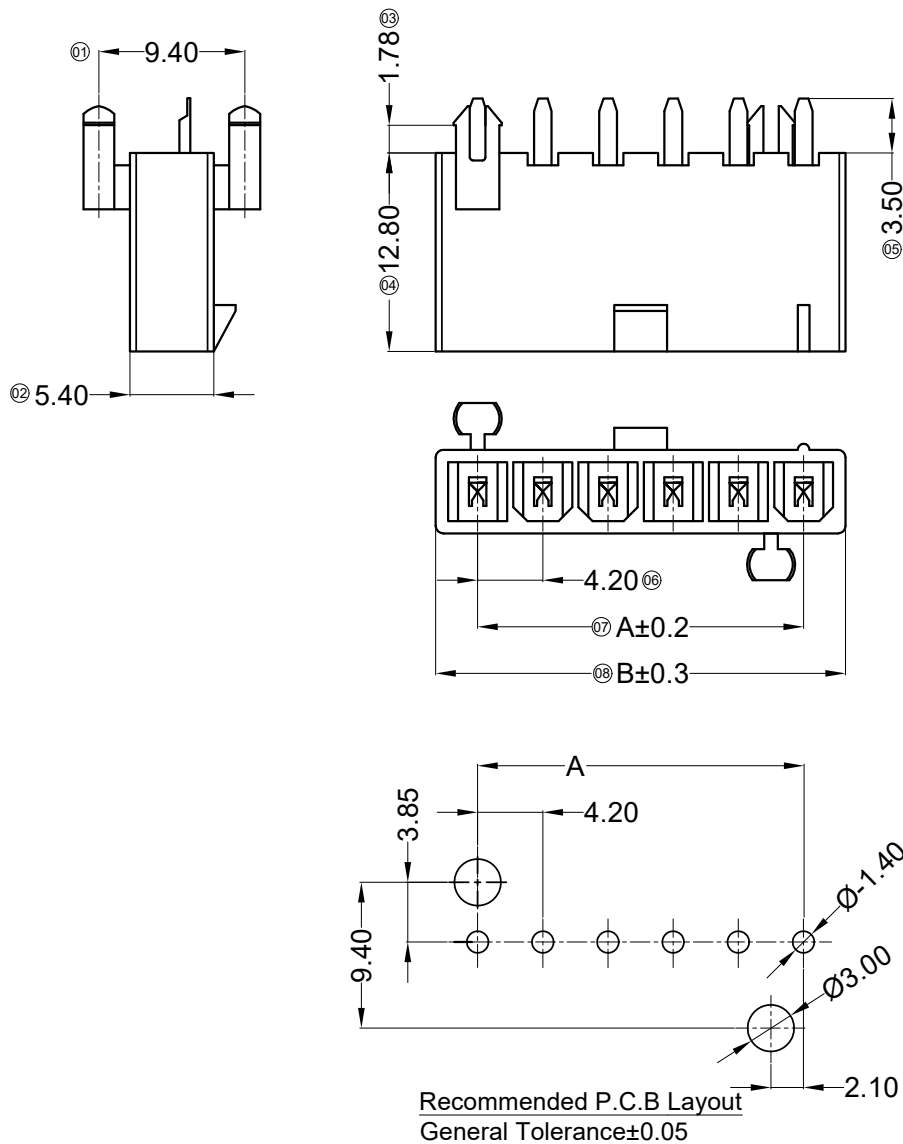
- ① Series No.
- ② Category: W-Wafer
- ③ Welding Board Angle: V- Straight 180°
- ④ Welding form: Blank-DIP
- ⑤ Row No.-Pin No.: 1x05-1x05P
- ⑥ Plastic material: N2-PA66 94V-2
- ⑦ Color : B-Black
- ⑧ Metal material: B-Brass
- ⑨ Plating Category:  
02-Bright Tin Plating(Ni:30u"Min,Sn:80u"Min)
- ⑩ Packag: B-Bag
- ⑪ Green code: R-RoHS
- ⑫ Water code: 001
- ⑬ F-Other Connectors



						东莞市思索连接器有限公司 SWB CONNECTORS CO.,LTD				PART NO. 9357WV-1x05-N2BB02BR001F				
						APPROVAL    CHECK    DRAWN    DATE				TITLE 4.20 mm Crimp Style Connectors				
2020.03.26	B	EN20200326002	Update Drawing Frame	Zeng	Robing	Smak	Guo	sylvia	2018/10/11	UNIT	SCALE	SHEET	REV	NUMBER
DATE	REV	ECN NO	DESCRIPTION	MODIFY	APPROVAL					mm	1:1	1/1	B	A-043

RoHS

This products can apply to the SWB Doc NO. QA-3-04-005 of Environmental&Material Management Rules



- Specifications :
- Voltage rating: 600V AC / DC
  - Current rating: 9A AC / DC
  - Withstanding voltage: 1500V AC/minute
  - Temperature range: -25°C~+85°C
  - Insulation resistance: ≥1000MΩ
  - Contact resistance: ≤10mΩ
  - After environmental testing: ≤20mΩ
  - Material(Pin): Brass
  - Mates With SWB Housing: 9357HM

9357 W V X-XX FS-XX SN XX

① ② ③ ④ ⑤ ⑥ ⑦ ⑧ ⑨

- ① Series No.
- ② Category: W-wafer
- ③ Welding Board Angle: V- Straight 180°
- ④ Welding Way: Blank-DIP
- ⑤ Row No.-Pin No.: XX-02P~06P
- ⑥ Special No.:  
FS-The hollow needle with positioning column
- ⑦ Material: N0-PA66 94V-0; N2-PA66 94V-0
- ⑧ Planting Category: SN-Bright tin plating ;
- ⑨ Color: Blank-natural color



Poles	Dimensions(mm)	
	A	B
02	4.20	9.60
03	8.40	13.80
04	12.60	18.00
05	16.80	22.20
06	21.00	26.40

Recommended P.C.B Layout  
General Tolerance±0.05

DATE	REV	ECN NO	DESCRIPTION	MODIFY	APPROVAL	PROJECT	APPROVAL	CHECK	DRAWN	DATE	UNIT	SCALE	SHEET	REV	NUMBER
2020/03/26	C	EN20200326002	Update Drawing Frame, The Same ECR And ECN NO	Zeng	Robing	GENERAL TOLERANCE	东莞市思索连接器有限公司 SWB CONNECTORS CO.,LTD APPROVAL	CHECK	DRAWN	DATE	mm	1:1	1/1	C	A-053
2015/05/06	B		Modify the drawing frame format	Feng Ping	Bob Sun	.X ±0.30									
						.XX ±0.20									
						.XXX ±0.10									
						X° ±2°									
						PROJECT	Kim Huang	Jova Lau	Luna	2013/07/31					

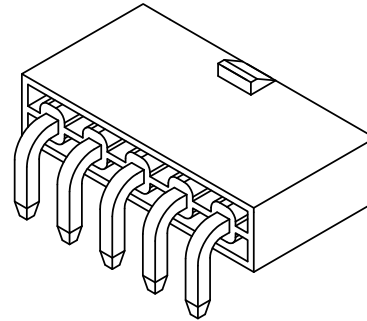
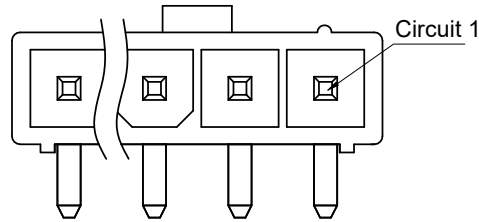
PART NO. 9357WV-XXFS-XXSN				
TITLE 4.20mm Crimp Style connectors				
UNIT	SCALE	SHEET	REV	NUMBER
mm	1:1	1/1	C	A-053





RoHS

This products can apply to the SWB Doc NO. QA-3-04-005 of Environmental&Material Management Rules



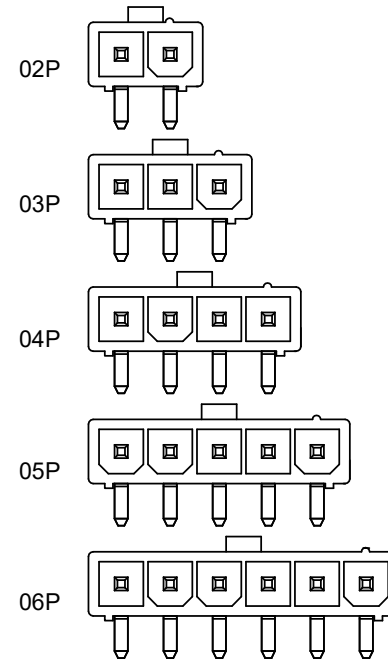
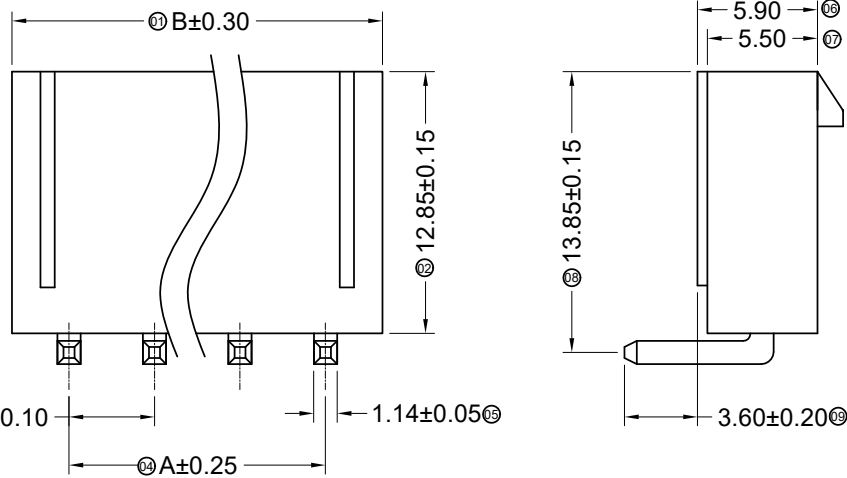
Specifications :

- Voltage rating: 600V AC / DC
- Current rating: 9A AC / DC
- Withstanding voltage: 1500V AC/minute
- Temperature range: -25°C~+85°C
- Insulation resistance: ≥100MΩ
- Contact resistance: ≤10mΩ
- After environmental testing: ≤20mΩ
- Mates With SWB Housing: 9357HM-1xXX

9357 W R X-1xXX-N2 N B 02 B X 001 F

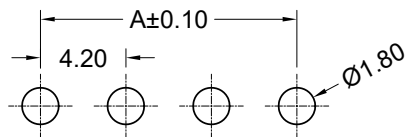
① ② ③ ④ ⑤ ⑥ ⑦ ⑧ ⑨ ⑩ ⑪ ⑫ ⑬

- ① Series No.
- ② Category: W-wafer
- ③ Welding Board Angle: R- 90°
- ④ Welding Way: Blank-DIP
- ⑤ Row No.-Pin No.: 1xXX-1x02~1x06P
- ⑥ Plastic Material: N0-PA66 94V-0 ;N2-PA66 94V-2
- ⑦ Color: N-Natural color ;B-Black
- ⑧ Hardware Material: B-Brass;H-High conductivity copper
- ⑨ Planting Category: 02-Bright tin plating
- ⑩ Packag: B-Bag
- ⑪ Green code: Y-Halogen ; H-Halogen Free
- ⑫ Water code:001
- ⑬ F-Other Connectors



CIRCUIT SIZE LAYOUT

PART NO.	Dimensions (mm)	
	A	B
02	4.20	9.80
03	8.40	14.00
04	12.60	18.20
05	16.80	22.40
06	21.00	26.60



Recommended P.C.B Layout  
General Tolerance  $\pm 0.05$



DATE	REV	ECN NO	DESCRIPTION	MODIFY	APPROVAL	GENERAL TOLERANCE				PROJECT	APPROVAL				PART NO.							
						.X	.XX	.XXX	X°		Robing	Zeng	Yu wei	2018/06/06	9357WR-1xXX-XXNB02BX001F							
2020/03/26	B	EN20200326002	Update Drawing Frame	Zeng	Robing	.X	$\pm 0.30$	.XX	$\pm 0.20$	.XXX	$\pm 0.10$	X°	$\pm 2^\circ$	APPROVAL	CHECK	DRAWN	DATE	TITLE				
																		4.20mm Crimp Style Connectors				
																		UNIT	SCALE	SHEET	REV	NUMBER
																		mm	1:1	1/1	B	A-007



东莞市思索连接器有限公司

SWB CONNECTORS CO.,LTD

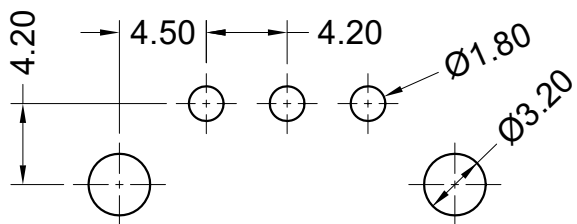
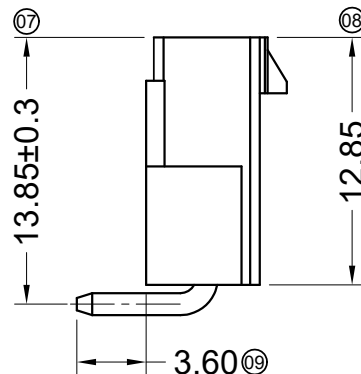
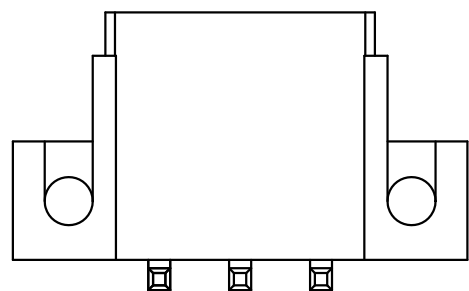
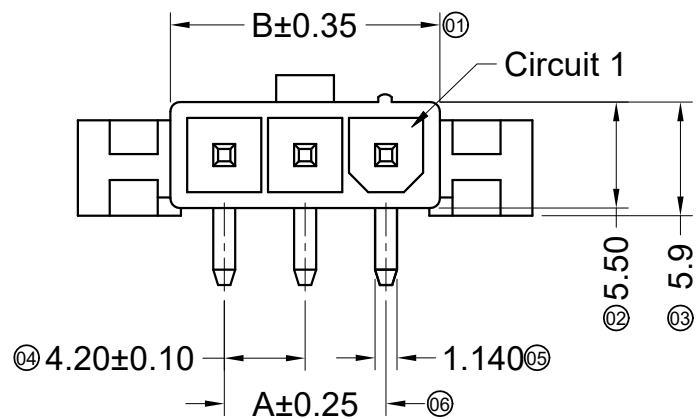
PART NO.  
9357WR-1xXX-XXNB02BX001F

TITLE  
4.20mm Crimp Style Connectors

UNIT: mm  
SCALE: 1:1  
SHEET: 1/1  
REV: B  
NUMBER: A-007

RoHS

This products can apply to the SWB Doc NO. QA-3-04-005 of Environmental&Material Management Rules



RECOMMENDED P.C.B LAYOUT (TOLERANCE:±0.05)

Poles	Dimensions (mm)	
	A	B
02	4.20	9.80
03	8.40	14.00
04	12.60	18.20
05	16.80	22.40
06	21.00	26.60

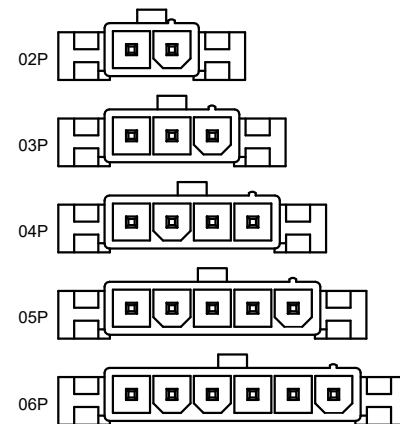
Specifications :

- Voltage rating: 600V AC / DC
- Current rating: 7A AC / DC
- Withstanding voltage: 1500V AC/minute
- Temperature range: -25°C~+85°C
- Insulation resistance: ≥1000MΩ
- Contact resistance: ≤10mΩ
- After environmental testing: ≤20mΩ
- Material(Pin): Brass
- Mates With SWB Housing: 9357HM

9357 W R X-XX ES-XX SN XX

① ② ③ ④ ⑤ ⑥ ⑦ ⑧ ⑨

- ① Series No.
- ② Category: W-wafer
- ③ Connector Type: R-Right Angle 90°
- ④ Mounting Type: Blank-DIP
- ⑤ Row No.-Pin No Per Row: XX-Single Row
- ⑥ Special No.: ES-With Ears and Screw Holes
- ⑦ Plastic material: N2- PA66 UL94V-2; N0-PA66 UL94V-0
- ⑧ Plating Code: SN-Bright Tin Plating
- ⑨ Color: Blank-Natural Color



GENERAL TOLERANCE

- .X ±0.30
- .XX ±0.20
- .XXX ±0.10
- X.° ±2°

PROJECT



东莞市思索连接器有限公司

SWB CONNECTORS CO.,LTD

APPROVAL

Robing

CHECK

Robing

DRAWN

sylvia

DATE

2018/09/16

PART NO.

9357WR-XXES-XXSN

TITLE

4.20mm Crimp Style Connectors

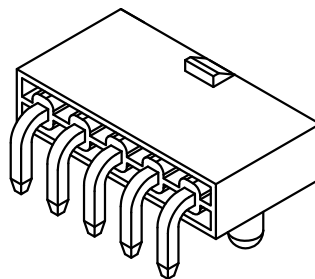
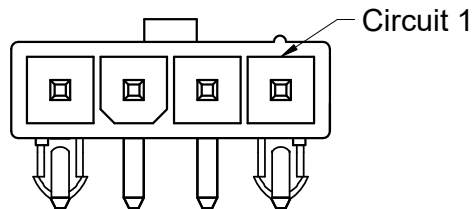
UNIT	SCALE	SHEET	REV	NUMBER
mm	1:1	1/1	A	A-007

DATE	REV	ECN NO.	DESCRIPTION	MODIFY	APPROVAL

1 2 3 4 5 6 7 8

RoHS

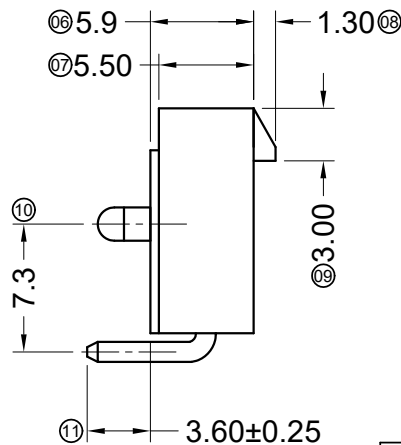
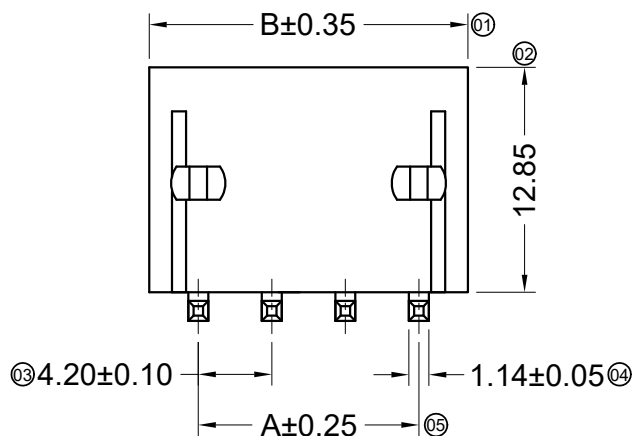
This products can apply to the SWB Doc NO. QA-3-04-005 of Environmental&Material Management Rules



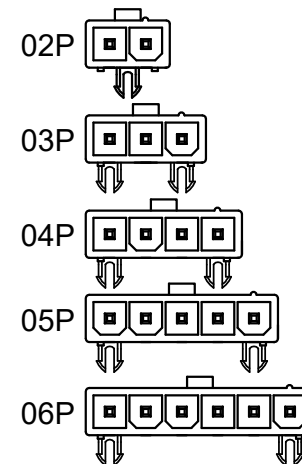
- Specifications :
- Voltage rating: 600V AC / DC
  - Current rating: 7A AC / DC
  - Withstanding voltage: 1500V AC/minute
  - Temperature range: -25°C~+85°C
  - Insulation resistance: ≥1000MΩ
  - Contact resistance: ≤10mΩ
  - After environmental testing: ≤20mΩ
  - Material(Pin): Brass
  - Mates With SWB Housing: 9357HM-XX

9357 W R X-XX S-XX SN XX-07  
① ② ③ ④ ⑤ ⑥ ⑦ ⑧ ⑨ ⑩

- ① Series No.
- ② Category: W-wafer
- ③ Connector Type: R-Right Angle 90°
- ④ Mounting Type: Blank-DIP
- ⑤ Row No.-Pin No Per Row: XX-Single Row
- ⑥ Special No.:S-With Post
- ⑦ Plastic material: N2- PA66 UL94V-2;  
N0-PA66 UL94V-0
- ⑧ Plating Code: SN-Bright Tin Plating
- ⑨ Color: Blank-Natural Color
- ⑩ Sequence Number:07



Poles	Dimensions (mm)	
	A	B
02	4.20	9.80
03	8.40	14.00
04	12.60	18.20
05	16.80	22.40
06	21.00	26.60



CIRCUIT SIZE LAYOUT

DATE	REV	ECN NO.	DESCRIPTION	MODIFY	APPROVAL

GENERAL TOLERANCE	
.X	±0.30
.XX	±0.20
.XXX	±0.10
X.°	±2°
PROJECT	
⊕	□

**东莞市思索连接器有限公司**  
**SWB CONNECTORS CO.,LTD**

APPROVAL	CHECK	DRAWN	DATE
Robing	Robing	sylvia	2018/09/16

PART NO.				
9357WR-XXS-XXSN-07				
TITLE				
4.20mm Crimp Style Connectors				
UNIT	SCALE	SHEET	REV	NUMBER
mm	1:1	1/1	A	A-007

RoHS

This products can apply to the SWB Doc NO. QA-3-04-005 of Environmental&Material Management Rules

**Specifications :**

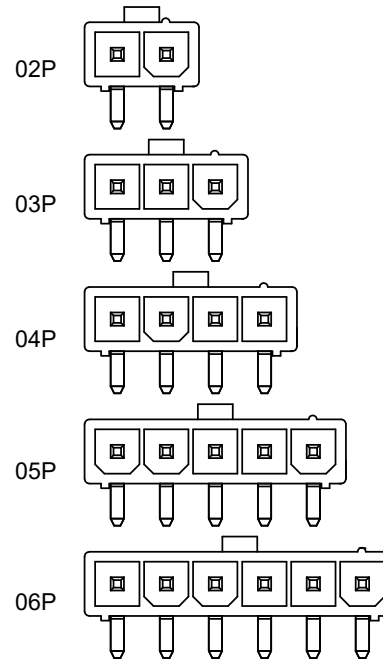
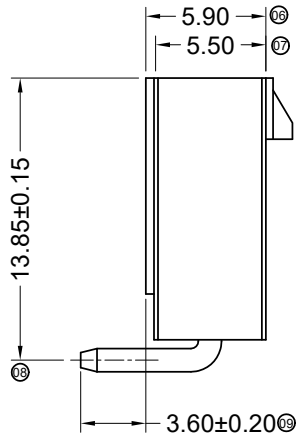
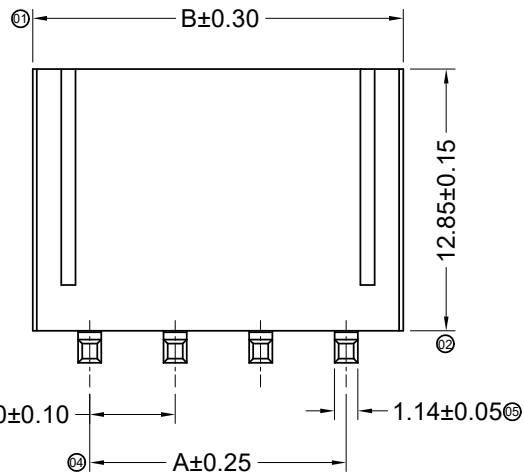
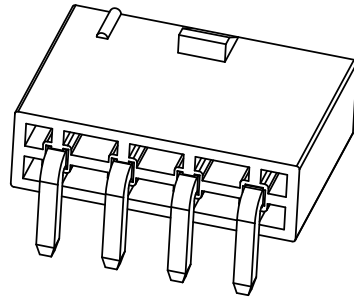
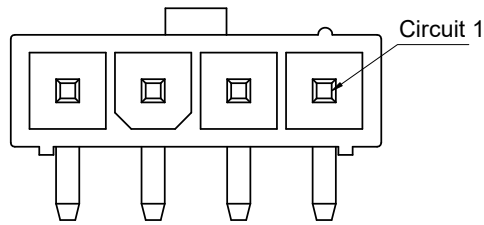
- Voltage rating: 600V AC / DC
- Current rating: 7A AC / DC
- Withstanding voltage: 1500V AC/minute
- Temperature range: -25°C~+85°C
- Insulation resistance: ≥1000MΩ
- Contact resistance: ≤10mΩ
- After environmental testing: ≤20mΩ
- Mates With SWB Housing: 9357HM-1xXX

9357 W R X-XX-XX XX XX XX-07

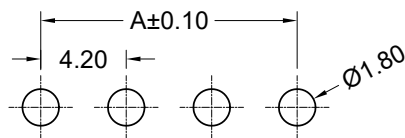
① ② ③ ④ ⑤ ⑥ ⑦ ⑧ ⑨ ⑩

- ① Series No.
- ② Category: W-wafer
- ③ Connector Type: R-90°
- ④ Mounting Type: Blank-DIP
- ⑤ Row No.-Pin No.: XX-02~06P
- ⑥ Special NO.:
- ⑦ Material: N0-PA66 94V-0 ; N2-PA66 94V-2
- ⑧ Plating Code: SN-Bright tin plating
- ⑨ Color: Blank-Natural Color BK-Black
- ⑩ Special NO: Blank ; 07

PART NO.	Dimensions (mm)	
	A	B
02	4.20	9.80
03	8.40	14.00
04	12.60	18.20
05	16.80	22.40
06	21.00	26.60



CIRCUIT SIZE LAYOUT



Recommended P.C.B Layout  
General Tolerance±0.05



DATE	REV	ECN NO	DESCRIPTION	MODIFY	APPROVAL	PROJECT	APPROVAL	CHECK	DRAWN	DATE	PART NO.
						Robing	Zeng	Yu wei	2018/06/06		9357WR-XX-XXSN-07
<p>GENERAL TOLERANCE</p> <p>.X ±0.35</p> <p>.XX ±0.25</p> <p>.XXX ±0.15</p> <p>X.° ±2°</p>											
<p>东 莞 市 思 索 连 接 器 有 限 公 司</p> <p>SWB CONNECTORS CO.,LTD</p>											
<p>TITLE</p> <p>4.20mm Crimp Style Connectors</p>											
<p>UNIT SCALE SHEET REV NUMBER</p> <p>mm 1:1 1/1 A A-007</p>											