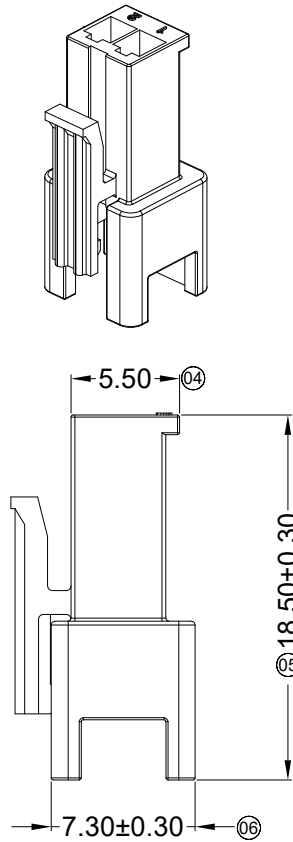
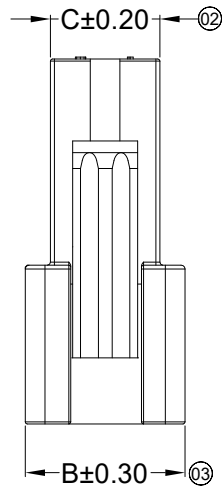
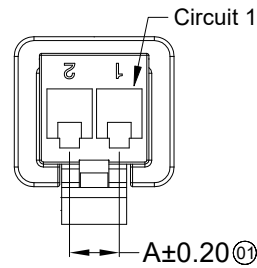


RoHS

This products can apply to the SESO Doc NO. QA-3-04-005 of Environmental&Material Management Rules



■ Specifications :

- Voltage rating: 250V AC / DC
- Current rating: 3A AC / DC
- Withstanding voltage: 1500V AC/minute
- Temperature range: -40°C~+105°C
- Insulation resistance: ≥500MΩ
- Contact resistance: ≤10mΩ
- After environmental testing: ≤20mΩ

- Suitable SESO Terminal: 8854TM
- Mates With SESO Housing: 8854HM

8854 H F-SXX N0-B B R 01Q

① ② ③ ④ ⑤ ⑥ ⑦ ⑧ ⑨

- ① Series No.
- ② Category: H-Housing
- ③ Welding Board Angle: F- Female
- ④ Row No.-Pin No.: SXX-Single Row 02~12P
- ⑤ Material: N0-PA66 94V-0
- ⑥ Color: B-Black Color
- ⑦ Packag: B-Bag
- ⑧ Green code: R-ROHS
- ⑨ Water code: 01
Q---Automotive Connector

Poles	Dimensions (mm)		
	A	B Δ	C Δ
02	2.50	8.10	5.60
03	5.00	10.60	8.10
04	7.50	13.10	10.60
05	10.00	15.60	13.10
06	12.50	18.10	15.60
07	15.00	20.60	18.10
08	17.50	23.10	20.60
09	20.00	25.60	23.10
10	22.50	28.10	25.60
11	25.00	30.60	28.10
12	27.50	33.10	30.60

DATE	REV	ECN NO.	DESCRIPTION	MODIFY	APPROVAL
2020/03/04	H	EN20200304001	Modify the size according to the mold design and material object	Mandy	Robing

GENERAL TOLERANCE	
.X	±0.30
.XX	±0.20
.XXX	±0.10
X.°	±2°

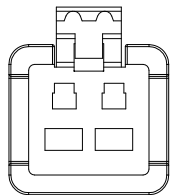
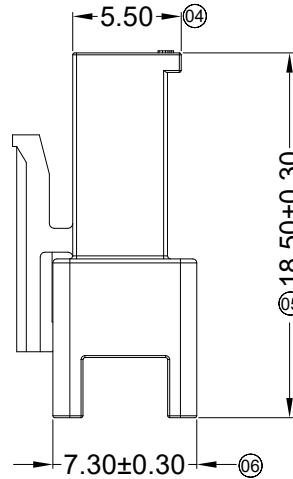
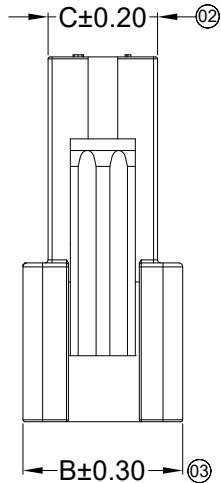
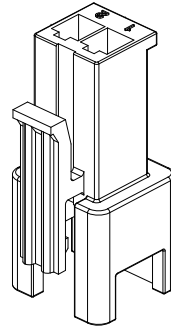
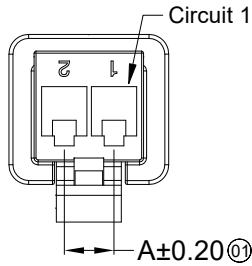
SMS 东莞市思索技术股份有限公司
Dongguan SESO Technology Co.,Ltd.

APPROVAL	CHECK	DRAWN	DATE
Jova	W.X.T	Jason	2018/07/13

PART NO.				
8854HF-SXXN0-BBR01Q				
TITLE				
2.50mm Crimp Style Connector				
UNIT	SCALE	SHEET	REV	NUMBER
mm	1:1	1/1	H	A-022

RoHS

This products can apply to the SESO Doc NO. QA-3-04-005 of Environmental&Material Management Rules



■ Specifications :

- Voltage rating: 250V AC / DC
- Current rating: 3A AC / DC
- Withstanding voltage: 1500V AC/minute
- Temperature range: -25°C~+85°C
- Insulation resistance: ≥500MΩ
- Contact resistance: ≤10mΩ
- After environmental testing: ≤20mΩ

- Suitable SESO Terminal: 8854TM
- Mates With SESO Housing: 8854HM

8854 H F-XX X-N0 XX

① ② ③ ④ ⑤ ⑥ ⑦

- ① Series No.
- ② Category: H-HSG
- ③ Appearance type: F-Female
- ④ Row No.-Pin No.: XX-Single Row
- ⑤ Special No. Blank-Ordinary
- ⑥ Material : N0-PA66 94V-0
- ⑦ Color: Blank -Black Color

Poles	Dimensions (mm)		
	A	B [△]	C [△]
02	2.50	8.10	5.60
03	5.00	10.60	8.10
04	7.50	13.10	10.60
05	10.00	15.60	13.10
06	12.50	18.10	15.60
07	15.00	20.60	18.10
08	17.50	23.10	20.60
09	20.00	25.60	23.10
10	22.50	28.10	25.60
11	25.00	30.60	28.10
12	27.50	33.10	30.60

2020/03/04	H	EN20200304001	Modify the size according to the mold design and material object	Mandy	Robing	GENERAL TOLERANCE .X ±0.30 .XX ±0.20 .XXX ±0.10 X.° ±2° PROJECT
2015/05/11	G		Modify drawing frame format	jian.He	Jova Lau	
2014/12/02	F		Modify drawing frame format	sylvia	Jova Lau	
DATE	REV	ECN NO.	DESCRIPTION	MODIFY	APPROVAL	

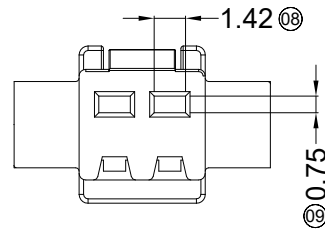
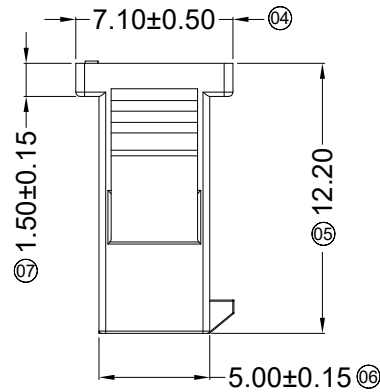
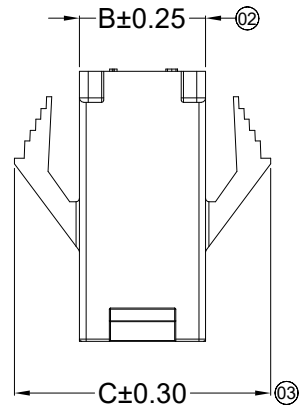
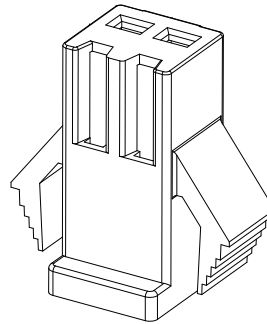
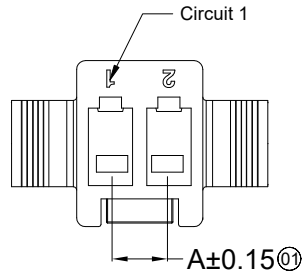
SMS 东莞市思索技术股份有限公司
Dongguan SESO Technology Co.,Ltd.

APPROVAL	CHECK	DRAWN	DATE
Jova	W.X.T	Jova	2007/05/03

PART NO.				
8854HF-XX-N0				
TITLE				
2.50mm Crimp Style Connector				
UNIT	SCALE	SHEET	REV	NUMBER
mm	1:1	1/1	H	A-022

RoHS

This products can apply to the SESO Doc NO. QA-3-04-005 of Environmental&Material Management Rules



■ Specifications :

- Voltage rating: 250V AC / DC
- Current rating: 3A AC / DC
- Withstanding voltage: 1500V AC/minute
- Temperature range: -40°C~+105°C
- Insulation resistance:≥500MΩ
- Contact resistance: ≤10mΩ
- After environmental testing: ≤20mΩ

- Suitable SESO Terminal: 8854TF
- Mates With SESO Housing: 8854HF

8854 H M-SXX N0-B B R 01Q

① ② ③ ④ ⑤ ⑥ ⑦ ⑧ ⑨

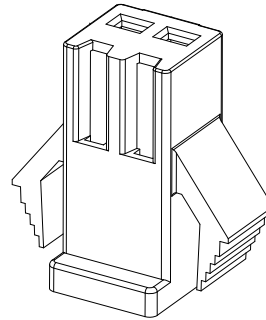
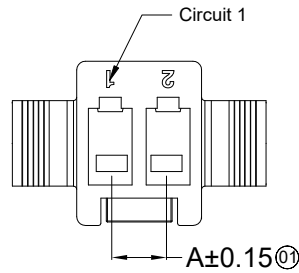
- ① Series No.
- ② Category: H-Housing
- ③ Welding Board Angle: M- Male Housing
- ④ Row No.-Pin No.: SXX-Single Row 02~12P
- ⑤ Material: N0-PA66 94V-0
- ⑥ Color: B-Black Color
- ⑦ Packag: B-Bag
- ⑧ Green code: R-ROHS
- ⑨ Water code: 01
- Q----Automotive Connector

Poles	Dimensions (mm)		
	A	B	C
02	2.50	5.65	11.60
03	5.00	8.15	14.10
04	7.50	10.65	16.60
05	10.00	13.15	19.10
06	12.50	15.65	21.60
07	15.00	18.15	24.10
08	17.50	20.65	26.60
09	20.00	23.15	29.10
10	22.50	25.65	31.60
11	25.00	28.15	34.10
12	27.50	30.65	36.60

DATE	REV	ECN NO.	DESCRIPTION	MODIFY	APPROVAL	PROJECT	APPROVAL	CHECK	DRAWN	DATE	PART NO.	TITLE			
						GENERAL TOLERANCE	SMS 东莞市思索技术股份有限公司 Dongguan SESO Technology Co.,Ltd.	Smark	Joshua	Jason	2018/07/13	8854HM-SXXN0-BBR01Q	2.50mm Crimp Style Connector		
					.X ±0.30										
					.XX ±0.20										
					.XXX ±0.10										
					X.° ±2°						UNIT	SCALE	SHEET	REV	NUMBER
											mm	1:1	1/1	F	A-022

RoHS

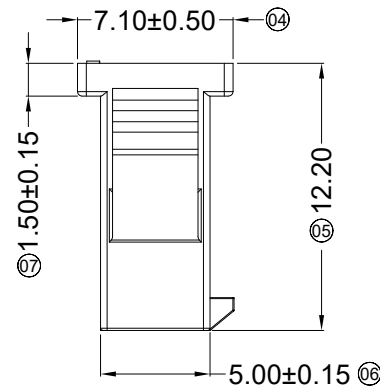
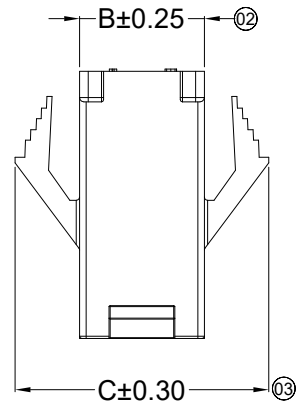
This products can apply to the SESO Doc NO. QA-3-04-005 of Environmental&Material Management Rules



■ Specifications :

- Voltage rating: 250V AC / DC
- Current rating: 3A AC / DC
- Withstanding voltage: 1500V AC/minute
- Temperature range: -25°C~+85°C
- Insulation resistance: ≥500MΩ
- Contact resistance: ≤10mΩ
- After environmental testing: ≤20mΩ

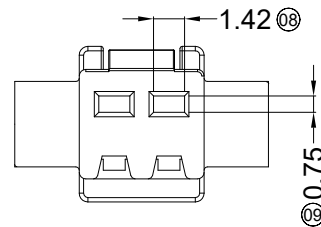
- Suitable SESO Terminal: 8854TF
- Mates With SESO Housing: 8854HF



8854 H M-XX X-N0 XX

① ② ③ ④ ⑤ ⑥ ⑦

- ① Series No.
- ② Category: H-HSG
- ③ Appearance type: M-Male
- ④ Row No.-Pin No.: XX-Single Row
- ⑤ Plug the Pin & Special No.:
- ⑥ Material : N0-PA66 94V-0
- ⑦ Color: Blank-Black Color

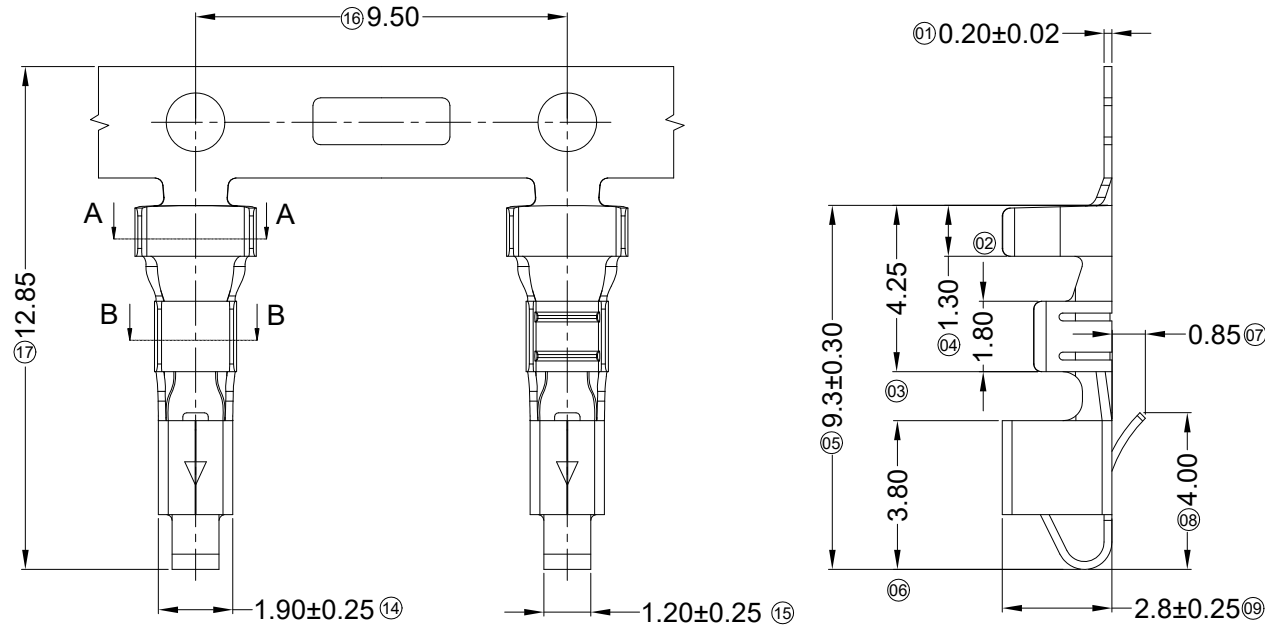


Poles	Dimensions (mm)		
	A	B	C
02	2.50	5.65	11.60
03	5.00	8.15	14.10
04	7.50	10.65	16.60
05	10.00	13.15	19.10
06	12.50	15.65	21.60
07	15.00	18.15	24.10
08	17.50	20.65	26.60
09	20.00	23.15	29.10
10	22.50	25.65	31.60
11	25.00	28.15	34.10
12	27.50	30.65	36.60

2020/03/04	F	EN20200304001	Modify drawing frame format	Mandy	Robing	GENERAL TOLERANCE .X ±0.30 .XX ±0.20 .XXX ±0.10 X.° ±2° PROJECT 	东莞市思索技术股份有限公司 Dongguan SESO Technology Co.,Ltd.	PART NO. 8854HM-XX-N0XX					
2015/05/11	E		Modify drawing frame format	jian.He	Jova Lau			APPROVAL CHECK DRAWN DATE Smark Joshua Jova 2007/05/03	TITLE 2.50mm Crimp Style Connector				
2013/08/26	D		Modify drawing frame format	Jova	Jova Lau				UNIT SCALE SHEET REV NUMBER				
DATE	REV	ECN NO.	DESCRIPTION	MODIFY	APPROVAL				mm 1:1 1/1 F A-022				

RoHS

This products can apply to the SESO Doc NO. QA-3-04-005 of Environmental&Material Management Rules

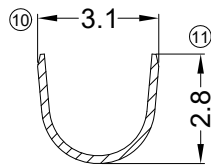


Specifications :

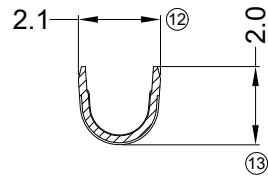
- Voltage rating: 250V AC / DC
- Current rating: 3A AC / DC
- Withstanding voltage: 1500V AC/minute
- Temperature range: -25°C~+85°C
- Insulation resistance: ≥500MΩ
- Contact resistance: ≤10mΩ
- After environmental testing: ≤20mΩ

8854 T F-P XXX X-X
① ② ③ ④ ⑤ ⑥ ⑦

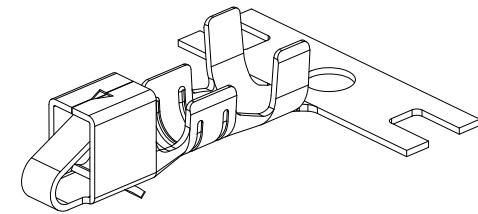
- ① Series No.
- ② Category: T-Terminal
- ③ Appearance type: F-Female
- ④ Material: P-Phosphor bronze
- ⑤ Plating Style: SN-Bright Tin Plating
G01-Gold Flash Plated Contact
- ⑥ Plating Method :
Blank-Stamping before Plating
B-Plating before stamping
- ⑦ Mold No./Mark/Special No.



SECTION A-A
SCALE 1:1



SECTION B-B
SCALE 1:1

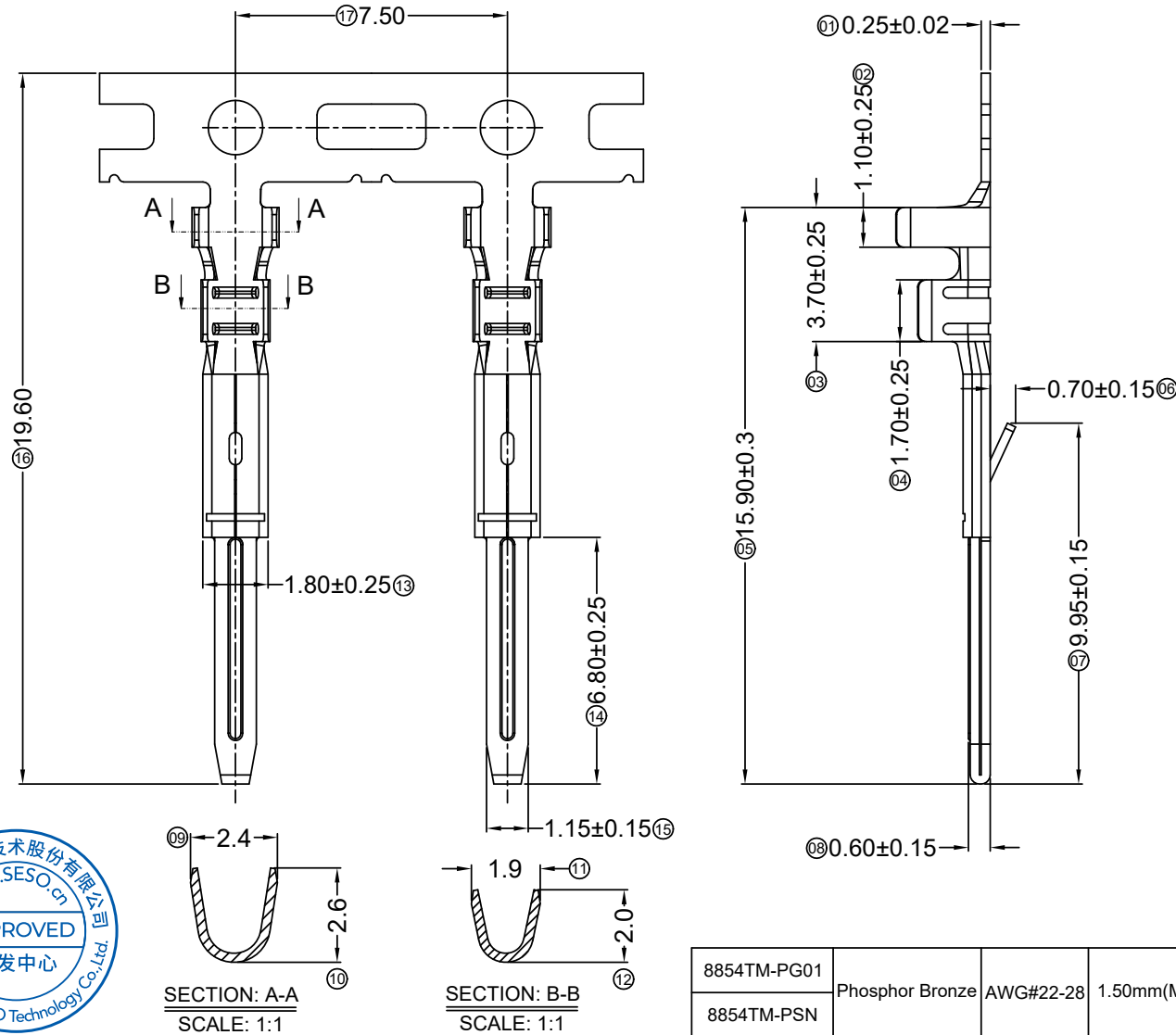


8854TF-PG01	Phosphor Bronze	AWG#22-28	1.50mm(Max)	Stamping Before Plating:30u" Ni;Gold Flash Plated Contact	8854HM
8854TF-PSN				Stamping Before Plating:30u" Ni;70u"Sn	
PART NO	Material	Wire Range	Insulation O.D.	Finish	Used In SESO Housing

2020/03/23	D	EN20200323001	Update Drawing Frame, The Same ECR And ECN NO	Zeng	Robing	SMS 东莞市思索技术股份有限公司 Dongguan SESO Technology Co.,Ltd.	PART NO. 8854TF-PXXX				
2015/06/18	C		Add P/N 8854TF-PG01	Wu xiao tao	Jova Lau		TITLE 2.50mm Crimp Style Connectors				
2015/05/11	B		Modify drawing frame format	jian.He	Jova Lau		APPROVAL	CHECK	DRAWN	DATE	UNIT SCALE SHEET REV NUMBER
DATE	REV	ECN NO	DESCRIPTION	MODIFY	APPROVAL	PROJECT	Jova	W.X.T	Allen	2013/12/23	mm 1:1 1/1 D A-000

RoHS

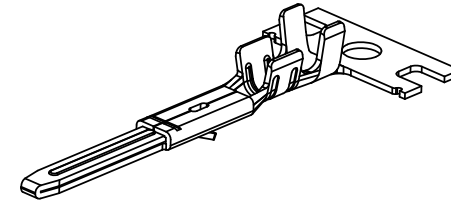
This products can apply to the SESO Doc NO. QA-3-04-005 of Environmental&Material Management Rules



- Specifications :
- Voltage rating: 250V AC / DC
 - Current rating: 3A AC / DC
 - Withstanding voltage: 1500V AC/minute
 - Temperature range: -25°C~+85°C
 - Insulation resistance: ≥500MΩ
 - Contact resistance: ≤10mΩ
 - After environmental testing: ≤20mΩ

8854 T M-P XXX X-X
① ② ③ ④ ⑤ ⑥ ⑦

- ① Series No.
- ② Category: T-Terminal
- ③ Appearance type: M-Male
- ④ Material: P-Phosphor bronze
- ⑤ Plating Style: SN-Bright Tin Plating
G01-Gold Flash Plated Contact
- ⑥ Plating Method :
Blank-Stamping before Plating
B-Plating before stamping
- ⑦ Mold No./Mark/Special No.



SECTION: A-A
SCALE: 1:1

SECTION: B-B
SCALE: 1:1

8854TM-PG01	Phosphor Bronze	AWG#22-28	1.50mm(Max)	Stamping Before Plating:30u" Ni; Gold Flash Plated Contact	8854HF
8854TM-PSN				Stamping Before Plating:30u" Ni;70u"Sn	
PART NO	Material	Wire Range	Insulation O.D.	Finish	Used In SESO Housing

2020/03/23	D	EN20200323001	Update Drawing Frame, The Same ECR And ECN NO	Zeng	Robing
2015/06/18	C		Add P/N 8854TM-PG01	Wu xiao tao	Jova Lau
2015/05/11	B		Modify drawing frame format	jian.He	Jova Lau
DATE	REV	ECN NO	DESCRIPTION	MODIFY	APPROVAL

GENERAL TOLERANCE

.X	±0.30
.XX	±0.20
.XXX	±0.10
X.°	±2°

PROJECT:

APPROVAL:

CHECK:

DRAWN:

DATE: 2014/01/16

APPROVAL: Bob Sun

CHECK: Jova Lau

DRAWN: Sylvia

DATE: 2014/01/16

PART NO. 8854TM-PXXX				
TITLE 2.50mm Crimp Style Connectors				
UNIT	SCALE	SHEET	REV	NUMBER
mm	1:1	1/1	D	A-000

SMS 东莞市思索技术股份有限公司
Dongguan SESO Technology Co.,Ltd.