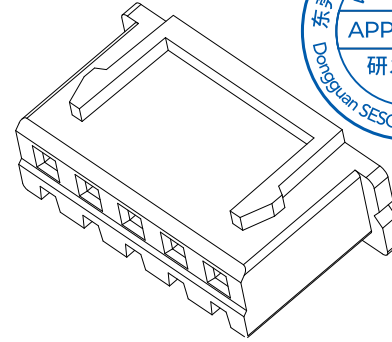


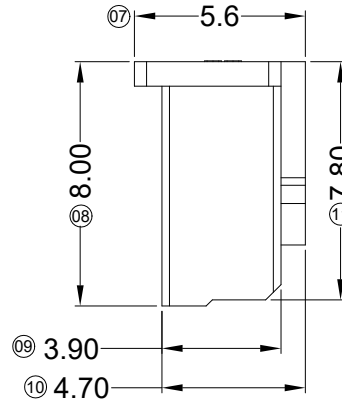
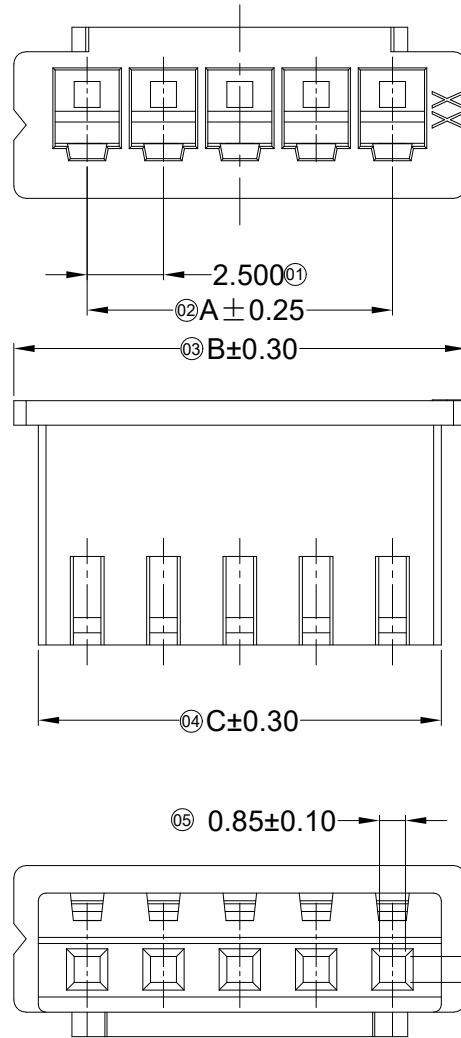
RoHS

This products can apply to the SESO Doc NO. QA-3-04-005 of Environmental&Material Management Rules



Specifications :

- Voltage rating: 250V AC / DC
- Current rating: 3A AC / DC
- Withstanding voltage: 1000V AC/minute
- Temperature range: -25°C~+85°C
- Insulation resistance: ≥1000MΩ
- Contact resistance: ≤10mΩ
- After environmental testing: ≤20mΩ
- Suitable SESO Terminal: 8821T
- Mates With SESO Wafer :8821W



8821 H X-XX X-N0 XX

① ② ③ ④ ⑤ ⑥ ⑦

- ① Series No.
- ② Category: H-HSG
- ③ Appearance type: Blank-Ordinary
- ④ Row No.-Pin No.: XX-Single Row
- ⑤ Special No. Blank-Ordinary
- ⑥ Material : N0-PA66 94V-0
- ⑦ Color: Blank : Natural Color

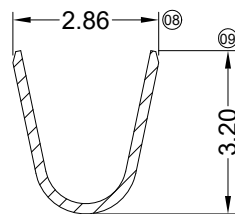
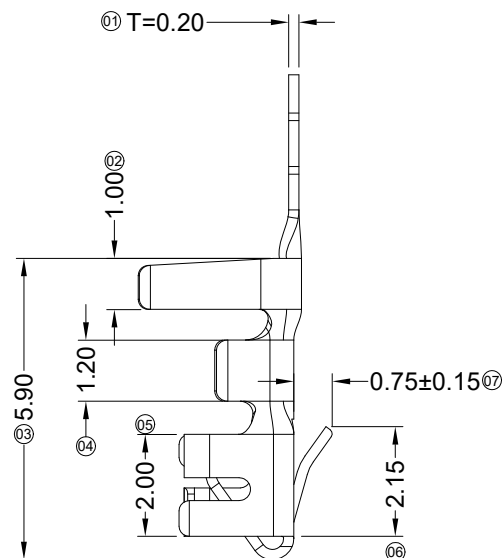
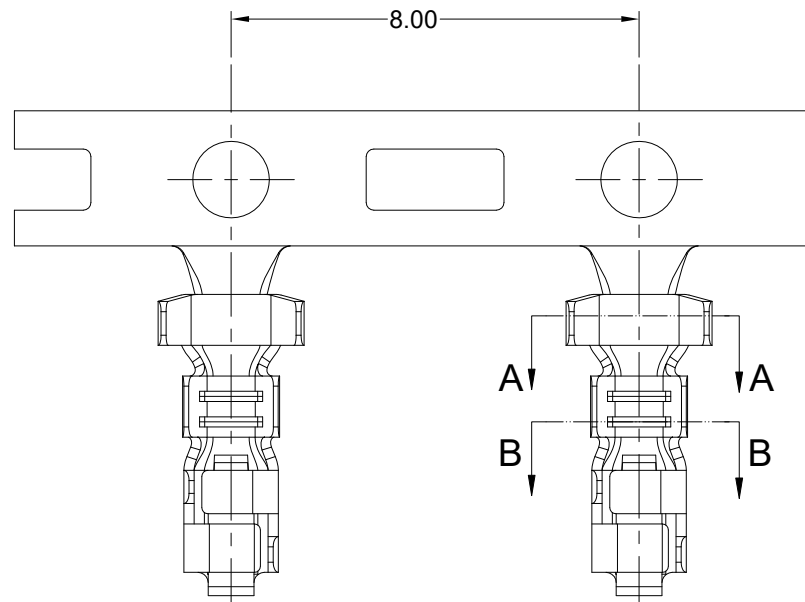
Poles	Dimensions(mm)			Poles	Dimensions(mm)		
	A	B	C		A	B	C
02	2.50	7.30	5.70	10	22.50	27.30	25.70
03	5.00	9.80	8.20	11	25.00	29.80	28.20
04	7.50	12.30	10.70	12	27.50	32.30	30.70
05	10.00	14.80	13.20	13	30.00	34.80	33.20
06	12.50	17.30	15.70	14	32.50	37.30	35.70
07	15.00	19.80	18.20	15	35.00	39.80	38.20
08	17.50	22.30	20.70	16	37.50	42.30	40.70
09	20.00	24.80	23.20				

					GENERAL TOLERANCE				PART NO.								
					.X ±0.30				8821H-XX-N0								
					.XX ±0.20				TITLE								
					.XXX±0.10				2.50mm Crimp style Connector								
					X.' ±2'				APPROVAL				CHECK	DRAWN	DATE		
					PROJECT				Robing	/	Zeng	2015/07/25	UNIT	SCALE	SHEET	REV	NUMBER
DATE	REV	ECN NO.	DESCRIPTION		MODIFY	APPROVAL	PROJECT	UNIT	SCALE	SHEET	REV	NUMBER	mm	1:1	1/1	H	A-000

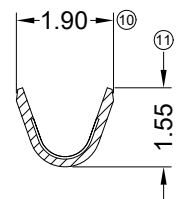
SMS 东莞市思索技术股份有限公司
Dongguan SESO Technology Co.,Ltd.

RoHS

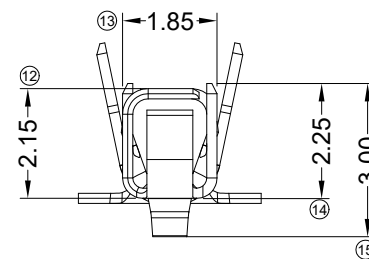
This products can apply to the SESO Doc NO. QA-3-04-005 of Environmental&Material Management Rules



剖视图 A-A
比例: 1:1



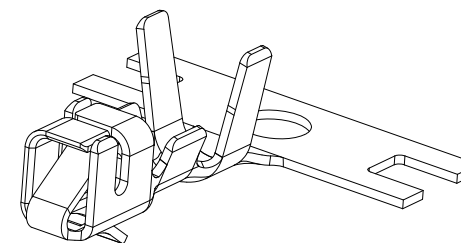
剖视图 B-B
比例: 1:1



- Specifications :
- Voltage rating: 250V AC / DC
 - Current rating: 3A AC / DC
 - Withstanding voltage: 1000V AC/minute
 - Temperature range: -25°C~+85°C
 - Insulation resistance: ≥1000MΩ
 - Contact resistance: ≤10mΩ
 - After environmental testing: ≤20mΩ
 - Wire Range: AWG#22-26
 - Insulation O.D.: 1.90mm(Max)
 - Used In SESO Housing: 8821H

8821 T X-B SN X - X
① ② ③ ④ ⑤ ⑥ ⑦

- ① Series Number
- ② Category: T-terminal
- ③ Shape: Blank-ordinary
- ④ Material: B-Brass P-Phosphor bronze
- ⑤ Plating style: SN-Bright tin plating
- ⑥ Plating method:
Blank-Stamping before plating
- ⑦ Mold No./Mark/Special No.



					GENERAL TOLERANCE				PART NO. 8821T-XSN				
					.X ±0.30				TITLE				
					.XX ±0.20				2.50mm Crimp Style Connectors				
					.XXX±0.10				UNIT				
					X.' ±2'				SCALE				
					PROJECT				SHEET				
					APPROVAL				REV				
					Robing				NUMBER				
					CHECK				mm				
					DRAWN				1:1				
					DATE				1/1				
					2014/06/23				A				
									A-000				

SMS 东莞市思索技术股份有限公司
Dongguan SESO Technology Co.,Ltd.

APPROVAL: Robing
CHECK: /
DRAWN: Zeng
DATE: 2014/06/23

UNIT	SCALE	SHEET	REV	NUMBER
mm	1:1	1/1	A	A-000

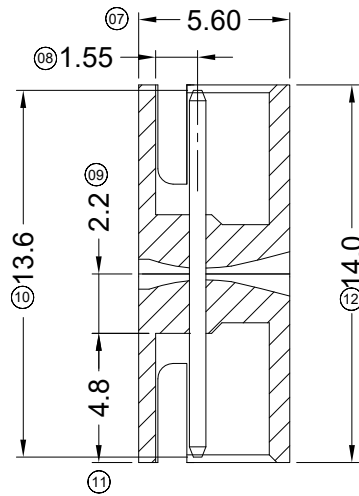
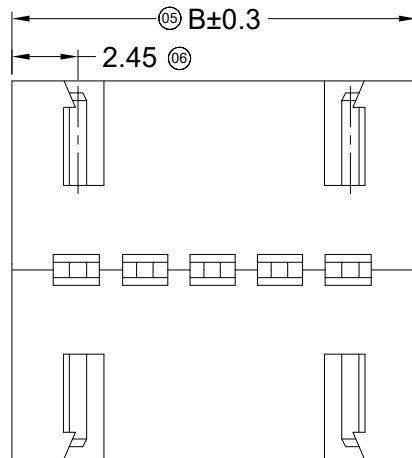
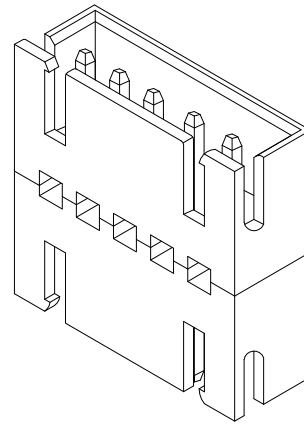
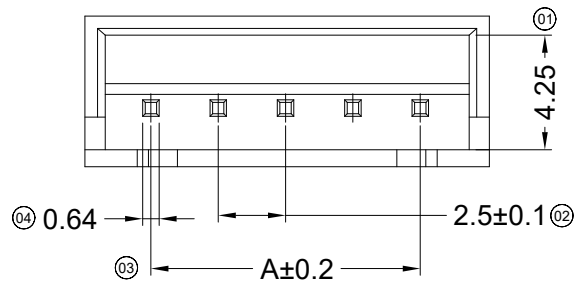
RoHS

This products can apply to the SESO Doc NO. QA-3-04-005 of Environmental&Material Management Rules



Specifications :

- Voltage rating: 250V AC / DC
- Current rating: 3A AC / DC
- Withstanding voltage: 1000V AC/minute
- Temperature range: -25°C~+85°C
- Insulation resistance: ≥1000MΩ
- Contact resistance: ≤10mΩ
- After environmental testing: ≤20mΩ



8821 W V X-XX H2 -N0 XX XX
① ② ③ ④ ⑤ ⑥ ⑦ ⑧ ⑨

- ① Series No.
- ② Category: W-WAFER
- ③ Welding Board Angle: V-180° ; R-90°
- ④ Welding Way: Blank-DIP ; S-SMT
- ⑤ Row No.-Pin No.: XX-Single Row ; 2*XX-Double Row
- ⑥ Plug the Pin & Special No.: H2-Double-Faced Wafer
- ⑦ Material: N0 -PA66 94V-0
- ⑧ Plating Category: SN-Bright Tin Plating (70u")
- ⑨ Color : Blank-Natural Color ;

Poles	Dimensions (mm)		Poles	Dimensions (mm)	
	A	B		A	B
02	2.50	7.50	11	25.00	30.00
03	5.00	10.00	12	27.50	32.50
04	7.50	12.50	13	30.00	35.00
05	10.00	15.00	14	32.50	37.50
06	12.50	17.50	15	35.00	40.00
07	15.00	20.00	16	37.50	42.50
08	17.50	22.50	17	40.00	45.00
09	20.00	25.00	18	42.50	47.50
10	22.50	27.50	19	45.00	50.00
11	25.00	30.00	20	47.50	52.50

8821WV-XXH2-N0SN	Nylon 66 UL 94V-0	Brass	Tin-Plated	8821H
PART NO	Material	Material(Pin)	Finish(Pin)	Mates With SESO Housing

DATE	REV	ECN NO	DESCRIPTION	MODIFY	APPROVAL
2015/05/09	D		Modify drawing frame format	jian.He	
2013/08/23	C		Modify drawing frame format	Jova	

GENERAL TOLERANCE

.X	±0.30
.XX	±0.20
.XXX	±0.10
X.°	±2°

PROJECT:

SMS 东莞市思索技术股份有限公司
Dongguan SESO Technology Co.,Ltd.

APPROVAL	CHECK	DRAWN	DATE
Success	Sun Kaibao	Jova	2007/05/03

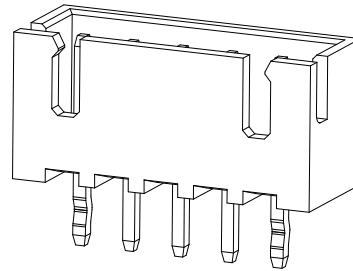
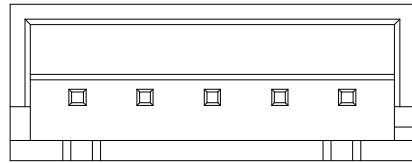
PART NO. 8821WV-XXH2-N0SN

TITLE: 2.50 mm Crimp style Connector

UNIT	SCALE	SHEET	REV	NUMBER
mm	1:1	1/1	D	A-000

RoHS

This products can apply to the SESO Doc NO. QA-3-04-005 of Environmental&Material Management Rules



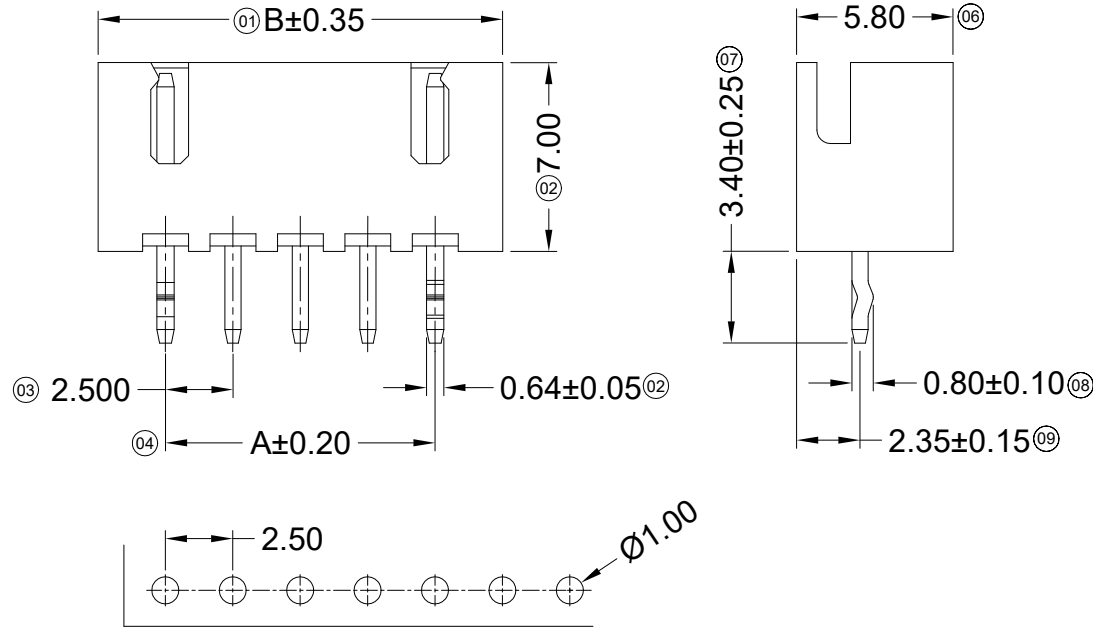
Specifications :

- Voltage rating: 250V AC / DC
- Current rating: 3A AC / DC
- Withstanding voltage: 1000V AC/minute
- Temperature range: -25°C~+85°C
- Insulation resistance: ≥1000MΩ
- Contact resistance: ≤10mΩ
- After environmental testing: ≤20mΩ
- Material(Pin):Brass
- Mates With SESO Housing: 8821H

8821 W V X-XX K -N0 SN XX-07

① ② ③ ④ ⑤ ⑥ ⑦ ⑧ ⑨

- ① Series No.
- ② Category: W-WAFER
- ③ Welding Board Angle: V- 180°
- ④ Welding Way: Blank-DIP ;
- ⑤ Row No.-Pin No.: XX-Single Row ;
- ⑥ Special No.: K-KINK
- ⑦ Material: N0 -PA66 94V-0
- ⑧ Plating Category: SN-Bright Tin Plating
- ⑨ Color : Blank-Natural Color



Poles	Dimensions(mm)		Poles	Dimensions(mm)	
	A	B		A	B
02	2.50	7.50	12	27.50	32.50
03	5.00	10.00	13	30.00	35.00
04	7.50	12.50	14	32.50	37.50
05	10.00	15.00	15	35.00	40.00
06	12.50	17.50	16	37.50	42.50
07	15.00	20.00	17	40.00	45.00
08	17.50	22.50	18	42.50	47.50
09	20.00	25.00	19	45.00	50.00
10	22.50	27.50	20	47.50	52.50
11	25.00	30.00			

Recommended P.C.B Layout
General Tolerance±0.05

						GENERAL TOLERANCE				PART NO. 8821WV-XXK-N0SN-07			
						.X ±0.30				TITLE			
						.XX ±0.20				2.50mm Crimp style Connector			
						.XXX ±0.10				APPROVAL CHECK DRAWN DATE			
						X° ±2°				Smark Joshua Yu wei 2018/05/30			
						PROJECT				UNIT SCALE SHEET REV NUMBER			
						PROJECT				mm 1:1 1/1 B A-007			
20200318	B	EN20200318001	Update Drawing Frame	Zeng	Robing	SMS 东莞市思索技术股份有限公司 Dongguan SESO Technology Co.,Ltd.							
DATE	REV	ECN NO	DESCRIPTION	MODIFY	APPROVAL								

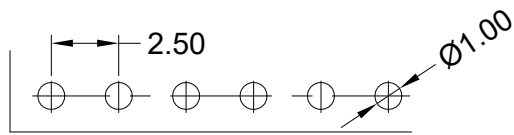
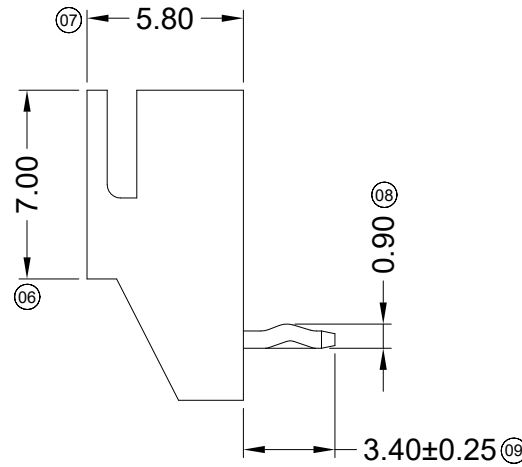
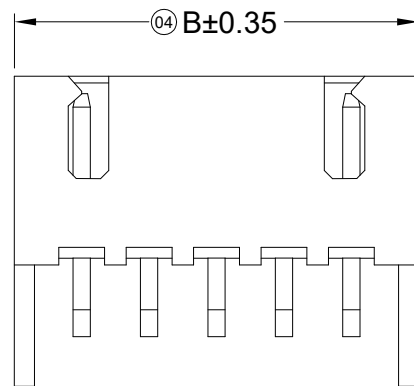
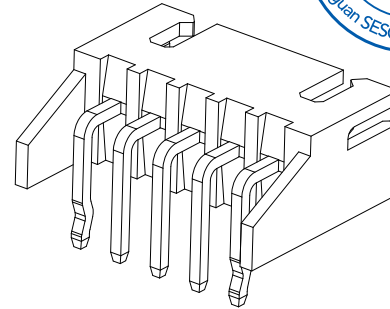
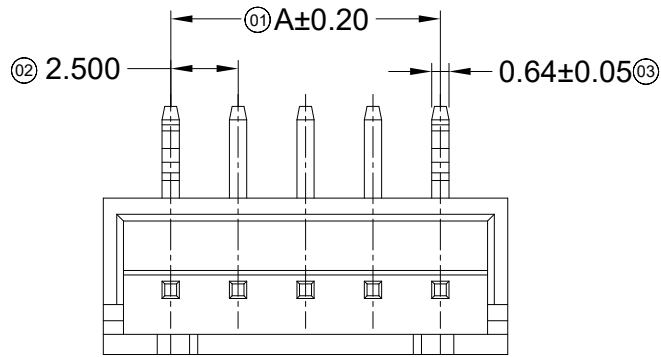
RoHS

This products can apply to the SESO Doc NO. QA-3-04-005 of Environmental&Material Management Rules



Specifications :

- Voltage rating: 250V AC / DC
- Current rating: 3A AC / DC
- Withstanding voltage: 1000V AC/minute
- Temperature range: -25°C~+85°C
- Insulation resistance: ≥1000MΩ
- Contact resistance: ≤10mΩ
- After environmental testing: ≤20mΩ
- Material(Pin):Brass
- Mates With SESO Housing:8821H



Recommended P.C.B Layout
General Tolerance±0.05

8821 W R X-XX K -N0 SN XX-07

- ① ② ③ ④ ⑤ ⑥ ⑦ ⑧ ⑨

- ① Series No.
- ② Category: W-WAFER
- ③ Welding Board Angle: R-Right Angle 90°
- ④ Welding Way: Blank-DIP ;
- ⑤ Row No.-Pin No.: XX-Single Row ;
- ⑥ Special No.: K-KINK
- ⑦ Material: N0 -PA66 94V-0
- ⑧ Plating Category: SN-Bright Tin Plating
- ⑨ Color : Blank-Natural Color

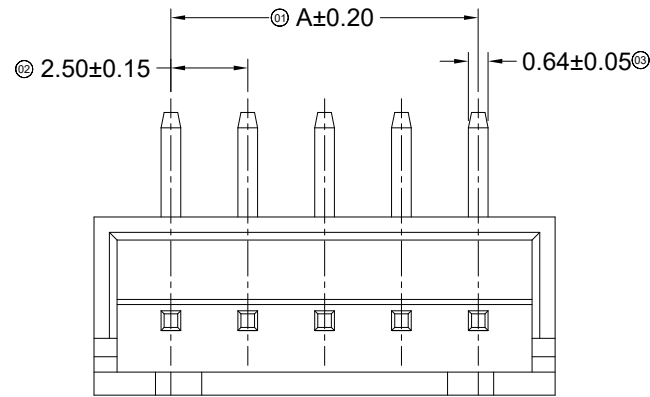
Poles	Dimensions(mm)		Poles	Dimensions(mm)	
	A	B		A	B
02	2.50	7.50	12	27.50	32.50
03	5.00	10.00	13	30.00	35.00
04	7.50	12.50	14	32.50	37.50
05	10.00	15.00	15	35.00	40.00
06	12.50	17.50	16	37.50	42.50
07	15.00	20.00	17	40.00	45.00
08	17.50	22.50	18	42.50	47.50
09	20.00	25.00	19	45.00	50.00
10	22.50	27.50	20	47.50	52.50
11	25.00	30.00			

						GENERAL TOLERANCE				PART NO. 8821WR-XXK-N0SN-07			
						.X ±0.30				TITLE 2.50mm Crimp style Connector			
						.XX ±0.20				UNIT SCALE SHEET REV NUMBER			
						.XXX ±0.10				mm 1:1 1/1 B A-007			
						X° ±2°				APPROVAL CHECK DRAWN DATE			
20200318	B	EN20200318001	Update Drawing Frame	Zeng	Robing	PROJECT Smark Guo Yu wei 2018/05/15							
DATE	REV	ECN NO	DESCRIPTION	MODIFY	APPROVAL								

SMS 东莞市思索技术股份有限公司
Dongguan SESO Technology Co.,Ltd.

RoHS

This products can apply to the SESO Doc NO. QA-3-04-005 of Environmental&Material Management Rules



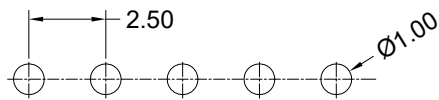
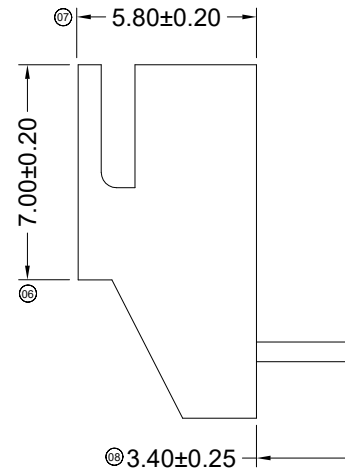
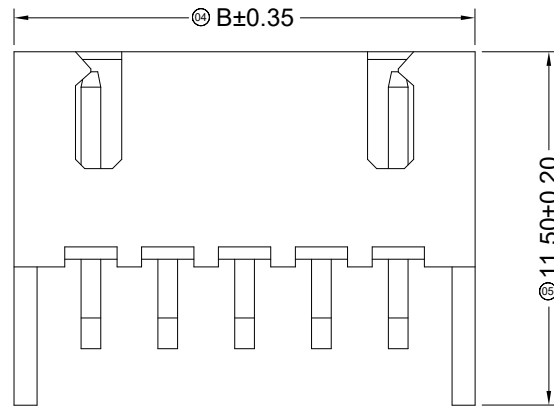
Specifications :

- Voltage rating: 250V AC / DC
- Current rating: 3A AC / DC
- Withstanding voltage: 1000V AC/minute
- Temperature range: -25°C~+85°C
- Insulation resistance: ≥1000MΩ
- Contact resistance: ≤10mΩ
- After environmental testing: ≤20mΩ
- Material(Pin):Brass
- Mates With SESO Housing:8821H

8821 W R X-XX X-N0 SN XX-07

① ② ③ ④ ⑤ ⑥ ⑦ ⑧ ⑨

- ① Series No.
- ② Category: W-WAFER
- ③ Welding Board Angle: R-Right Angle 90°
- ④ Welding Way: Blank-DIP ;
- ⑤ Row No.-Pin No.: XX-Single Row ;
- ⑥ Special No.:
- ⑦ Material: N0 -PA66 94V-0
- ⑧ Plating Category: SN-Bright Tin Plating
- ⑨ Color : Blank-Natural Color



Recommended P.C.B Layout
General Tolerance±0.05

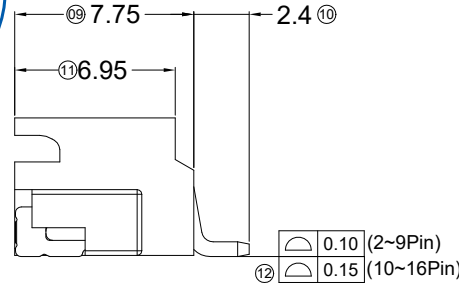
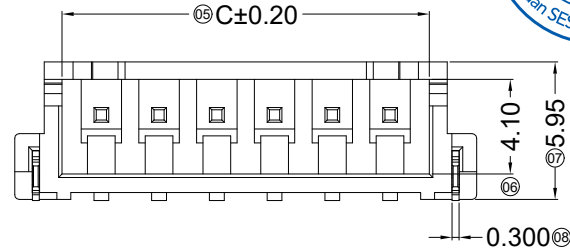
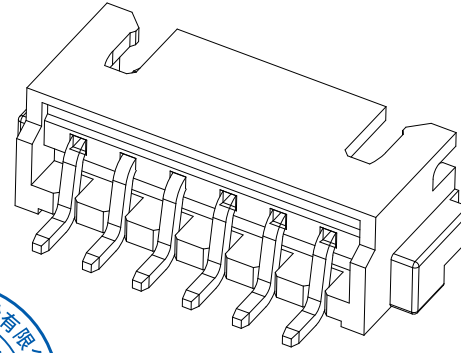
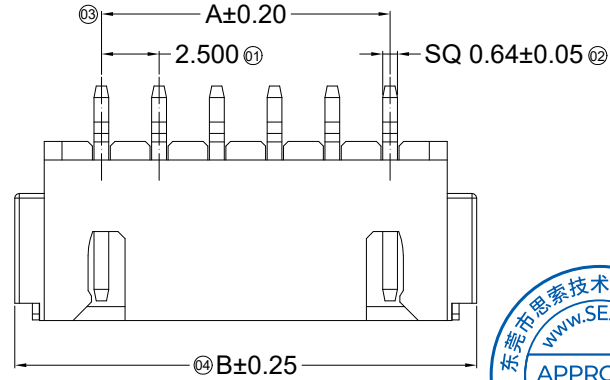
Poles	Dimensions(mm)		Poles	Dimensions(mm)	
	A	B		A	B
02	2.50	7.50	12	27.50	32.50
03	5.00	10.00	13	30.00	35.00
04	7.50	12.50	14	32.50	37.50
05	10.00	15.00	15	35.00	40.00
06	12.50	17.50	16	37.50	42.50
07	15.00	20.00	17	40.00	45.00
08	17.50	22.50	18	42.50	47.50
09	20.00	25.00	19	45.00	50.00
10	22.50	27.50	20	47.50	52.50
11	25.00	30.00			

					GENERAL TOLERANCE				PART NO.				
					.X ±0.30				8821WR-XX-N0SN-07				
					.XX ±0.20				TITLE				
					.XXX ±0.10				2.50 mm Crimp style Connector				
					X° ±2°				APPROVAL CHECK DRAWN DATE				
20200318	B	EN20200318001	Update Drawing Frame	Zeng	Robing	Smark	Yu wei	Mandy	2018/07/02	UNIT SCALE SHEET REV NUMBER			
DATE	REV	ECN NO	DESCRIPTION	MODIFY	APPROVAL					mm 1:1 1/1 B A-007			

SMS 东莞市思索技术股份有限公司
Dongguan SESO Technology Co.,Ltd.

RoHS

This products can apply to the SESO Doc NO. QA-3-04-005 of Environmental&Material Management Rules



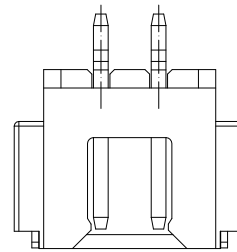
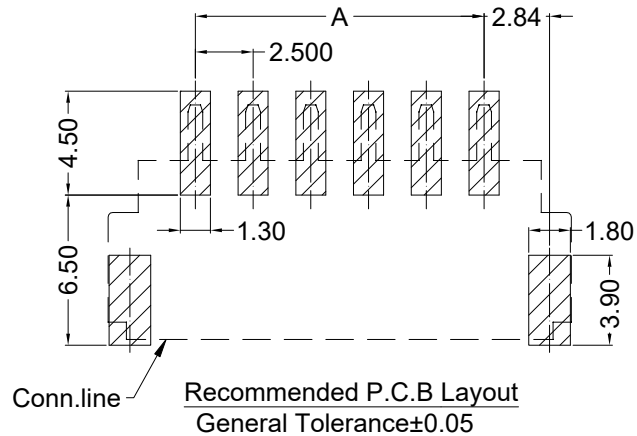
Specifications :

- Voltage rating: 250V AC / DC
- Current rating: 3A AC / DC
- Withstanding voltage: 1000V AC/minute
- Temperature range: -25°C~+85°C
- Insulation resistance: ≥1000MΩ
- Contact resistance: ≤10mΩ
- After environmental testing: ≤20mΩ

8821 W R S-XX X-XX XX XX - S

① ② ③ ④ ⑤ ⑥ ⑦ ⑧ ⑨

- ① Series No.
- ② Category: W-WAFER
- ③ Welding Board Angle: R-Right Angle 90°
- ④ Welding Way: S-SMT
- ⑤ Row No.-Pin No.: XX-02P~16P
- ⑥ Plug the Pin & Special No.:
- ⑦ Material: 4T -PA4T UL 94V-0
- ⑧ Plating Category: SN-Bright Tin Plating
V01-All Gold Flash
- ⑨ Color : Blank-Natural Color



2P Shape
SCALE 1:1

Poles	Dimensions (mm)			Poles	Dimensions (mm)		
	A	B	C		A	B	C
02	2.50	10.00	5.90	10	22.50	30.00	25.90
03	5.00	12.50	8.40	11	25.00	32.50	28.40
04	7.50	15.00	10.90	12	27.50	35.00	30.90
05	10.00	17.50	13.40	13	30.00	37.50	33.40
06	12.50	20.00	15.90	14	32.50	40.00	35.90
07	15.00	22.50	18.40	15	35.00	42.50	38.40
08	17.50	25.00	20.90	16	37.50	45.00	40.90
09	20.00	27.50	23.40				

					GENERAL TOLERANCE				PART NO. 8821WRS-XX-4TXX-S							
					.X ±0.30				TITLE 2.50mm Crimp Style Connector							
					.XX ±0.20											
					.XXX±0.10				APPROVAL							
					X.' ±2'				CHECK							
					PROJECT				DRAWN							
					APPROVAL				DATE							
DATE	REV	ECN NO.	DESCRIPTION	MODIFY	APPROVAL	PROJECT	APPROVAL	Robing	Guo	Yu wei	2017/06/12	UNIT	SCALE	SHEET	REV	NUMBER
												mm	1:1	1/1	A	A-000