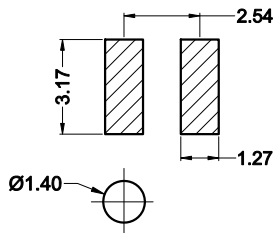
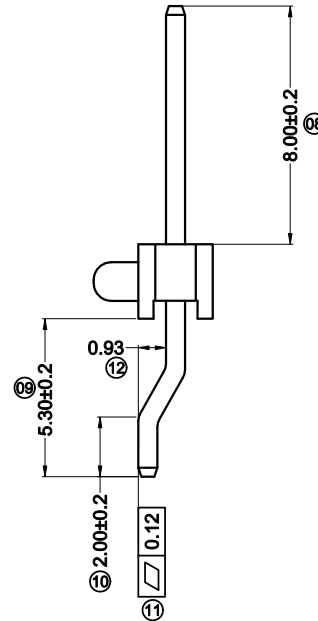
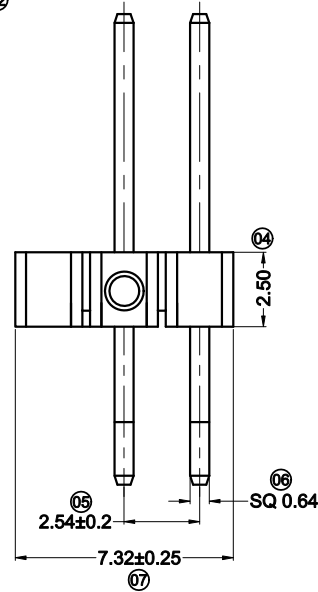
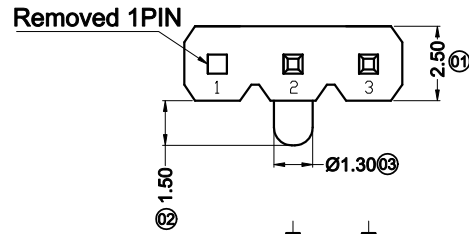


RoHS

This products can apply to the SWB Doc NO. QA-3-04-005 of Environmental&Material Management Rules

RD-1



Recommended P.C.B Layout
General Tolerance±0.05

Specifications :

- Current rating: 3 AMP
- Contact resistance:20 MΩ MAX
- Insulation resistance: 1000 MΩ MIN
- Withstanding voltage: 500V AC/minute
- Temperature range: -40℃~+105℃
- Material(Pin):Brass

6501 W R S- 03N01 P - 9T V01 B -04

① ② ③ ④ ⑤ ⑥ ⑦ ⑧ ⑨ ⑩

- ① Series No.
- ② Category: W-Wafer
- ③ Connector Type: R- Right Angle 90°
- ④ Mouting Type: S-SMT
- ⑤ Row No.-Pin No.: 03-3PIN N01-Removed 1 PIN
- ⑥ Special No.:P-With Post
- ⑦ Material: 9T-PA9T+30%GF UL94V-0
- ⑧ Plating Category:
V01-0.8u"Min gold plating over all
30u" Min nickel underplating over all
- ⑨ Color: B-Black Color
- ⑩ 04-8.0/2.5/5.3



					<p>GENERAL TOLERANCE</p> <p>X ±0.30</p> <p>XX ±0.20</p> <p>XXX ±0.10</p> <p>X° ±2°</p>				<p>东莞市思索连接器有限公司</p> <p>SWB CONNECTORS CO.,LTD</p>				<p>PART NO.</p> <p>6501WRS-03N01P-9TV01B-04</p>																																																			
					<p>APPROVAL</p> <p>Jason</p>				<p>CHECK</p> <p>John Yang</p>				<p>DRAWN</p> <p>Jiang</p>				<p>DATE</p> <p>2020/09/12</p>				<p>TITLE</p> <p>2.54mm Crimp Style Connector</p>																																											
DATE					REV					ECN NO					DESCRIPTION					MODIFY					APPROVAL					PROJECT					UNIT					SCALE					SHEET					REV					NUMBER									
1					2					3					4					5					6					7					8					mm					4:1					1/1					A					A-013				