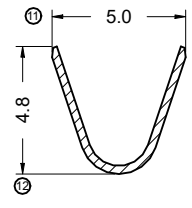
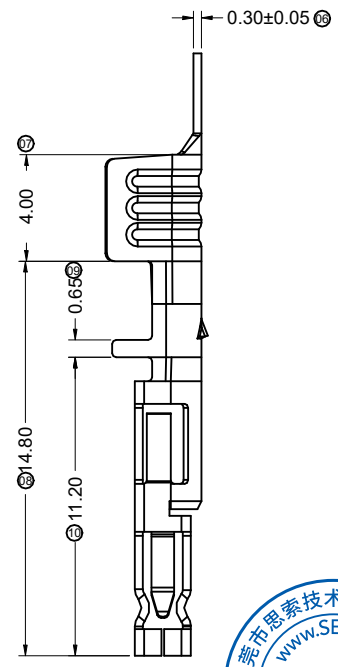
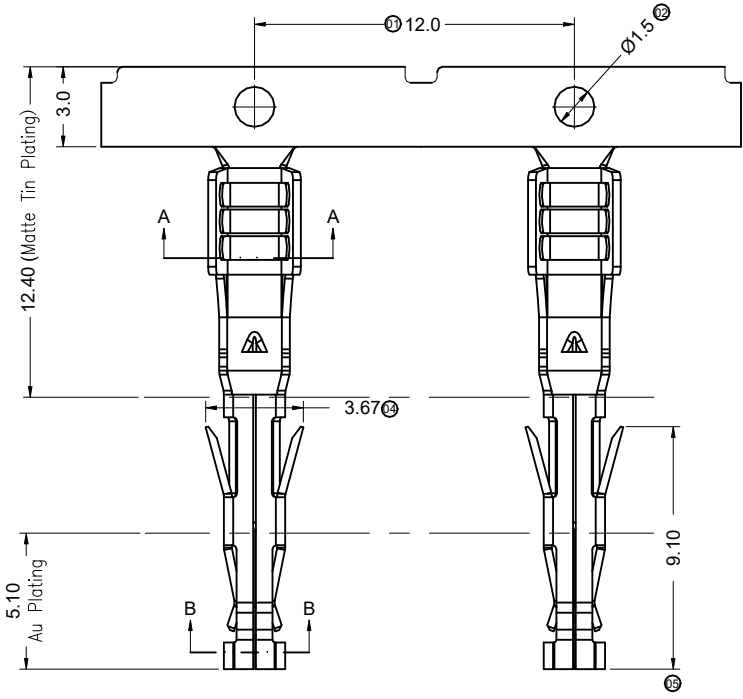
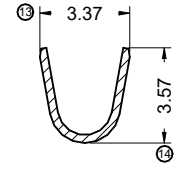


RoHS

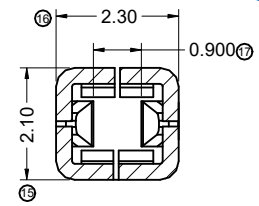
This products can apply to the SESO Doc NO. QA-3-04-005 of Environmental&Material Management Rules



SECTION A-A  
SCALE 1:1  
CONDUCTOR CRIMP 12 AWG



SECTION A-A  
SCALE 1:1  
CONDUCTOR CRIMP 14/16 AWG



SECTION B-B  
SCALE 2:1

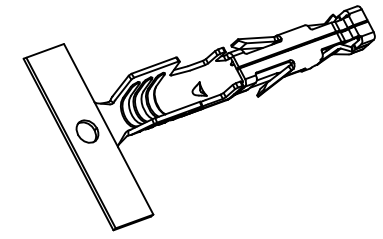


- Specifications :
- Voltage rating: 600V AC / DC
  - Current rating: Table
  - Withstanding voltage: 2200V AC/minute
  - Temperature range: -40°C~+105°C
  - Insulation resistance: ≥1000MΩ
  - Contact resistance: ≤5mΩ
  - After environmental testing: ≤10mΩ
  - Used In SWB Housing: 5700H
  - Wire Range: AWG#12-16
  - Insulation O.D.: 1.85mm(Max)

5700 T X- H XX X -XX  
① ②③ ④ ⑤ ⑥ ⑦

- ① Series Number
- ② Category: T-terminal
- ③ Shape:
- ④ Material: H-High conductive Brass
- ⑤ Plating Code:  
GW30- Contact Area gold 30u"Min, Ni 20u"Min, Sn 100u"Min  
GW15- Contact Area gold 15u"Min, Ni 20u"Min, Sn 100u"Min  
GW01- Contact Area gold 0.8u"Min, Ni 20u"Min, Sn 100u"Min  
SN-Bright tin plating 100u" Min Sn, Ni 50u"Min
- ⑥ Plating method: Blank-Stamping before plating
- ⑦ Mold No./Mark/Special No.  
L- Low foot (applicable to 14#/16 #)  
H-Height (applicable to 12 #)

| Current rating             |      |      |      |      |
|----------------------------|------|------|------|------|
| Ckt. Size                  | 2    | 4    | 6    | 8~12 |
| 12 AWG, 4.0mm <sup>2</sup> | 21 A | 18 A | 16 A | 14 A |
| 14 AWG, 2.5mm <sup>2</sup> | 19 A | 15 A | 13 A | 11 A |
| 16 AWG, 1.5mm <sup>2</sup> | 15 A | 13 A | 11 A | 10 A |



|            |     |               |                      |        |          |
|------------|-----|---------------|----------------------|--------|----------|
| 2023/06/02 | B1  | /             | ADD Plating          | Zhou   | Robing   |
| 2020/07/20 | B   | EN20200720001 | Update Drawing Frame | Zeng   | Robing   |
| DATE       | REV | ECN NO.       | DESCRIPTION          | MODIFY | APPROVAL |

|                   |       |
|-------------------|-------|
| GENERAL TOLERANCE |       |
| .X                | ±0.30 |
| .XX               | ±0.20 |
| .XXX              | ±0.10 |
| X°                | ±2°   |
| PROJECT           |       |
|                   |       |

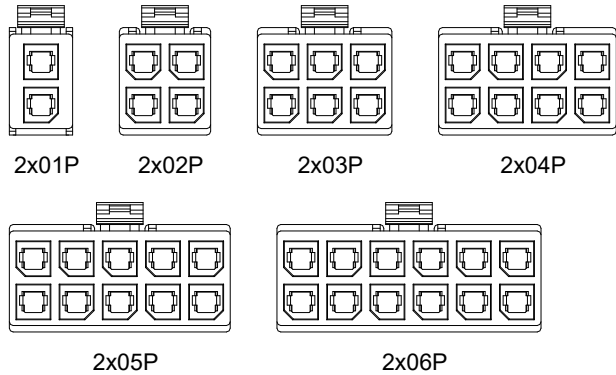
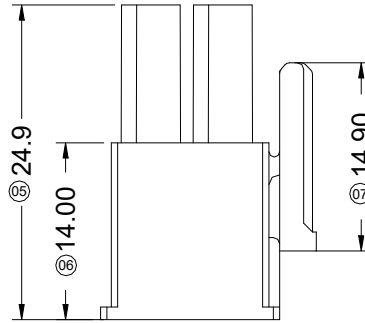
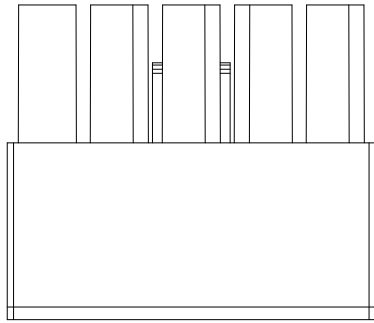
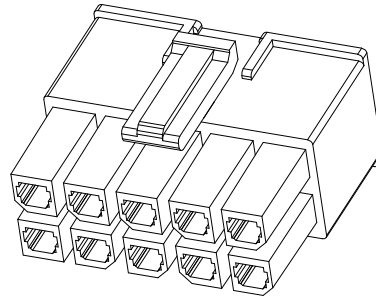
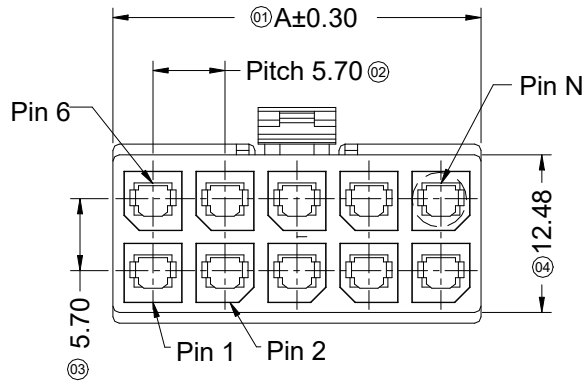
**SMS** 东莞市思索技术股份有限公司  
Dongguan SESO Technology Co.,Ltd.

|          |       |        |            |
|----------|-------|--------|------------|
| APPROVAL | CHECK | DRAWN  | DATE       |
|          |       | Yu wei | 2017/09/08 |

|                                      |       |       |     |        |
|--------------------------------------|-------|-------|-----|--------|
| PART NO. 5700T-HXX-X                 |       |       |     |        |
| TITLE: 5.70mm Crimp Style Connectors |       |       |     |        |
| UNIT                                 | SCALE | SHEET | REV | NUMBER |
| mm                                   | 1:1   | 1/1   | B1  | A-000  |

RoHS

This products can apply to the SESO Doc NO. QA-3-04-005 of Environmental&Material Management Rules



Specifications :

- Voltage rating: 600V AC / DC
- Current rating: 23A AC / DC
- Withstanding voltage: 2200V AC/minute
- Temperature range: -40°C~+105°C
- Insulation resistance: ≥1000MΩ
- Contact resistance: ≤2mΩ
- After environmental testing: ≤10mΩ
- Suitable SWB Terminal: 5700T
- Mates With SWB Wafer: 5700W

5700 H X-2\*XX X-N0 BK

① ② ③ ④ ⑤ ⑥ ⑦

- ① Series No.
- ② Category: H-HSG
- ③ Welding Board Angle:
- ④ Row No.-Pin No.: 2\*XX-2\*01P~2\*06P
- ⑤ Plug the Pin & special No.:
- ⑥ Material: N0-PA66 94V-0
- ⑦ Color: Bk-Black



| Poles | Dimensions (mm) |  |
|-------|-----------------|--|
|       | A               |  |
| 2*01  | 8.35            |  |
| 2*02  | 12.05           |  |
| 2*03  | 17.75           |  |
| 2*04  | 23.45           |  |
| 2*05  | 29.15           |  |
| 2*06  | 34.85           |  |

|            |     |               |                      |        |          |
|------------|-----|---------------|----------------------|--------|----------|
| 2020/07/20 | B   | EN20200720001 | Update Drawing Frame | Zeng   | Robing   |
| DATE       | REV | ECN NO.       | DESCRIPTION          | MODIFY | APPROVAL |

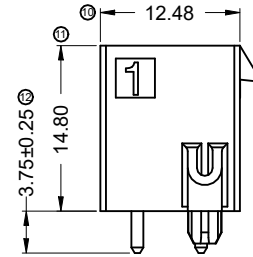
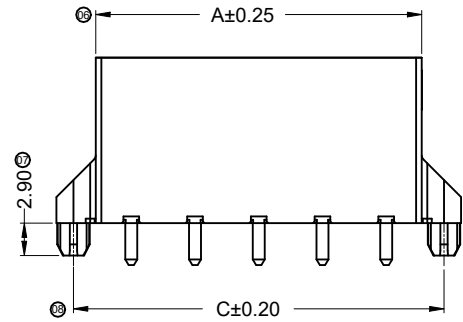
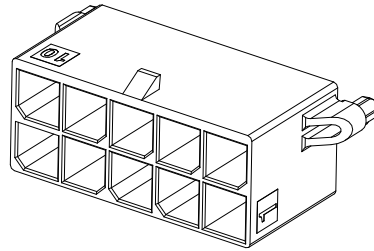
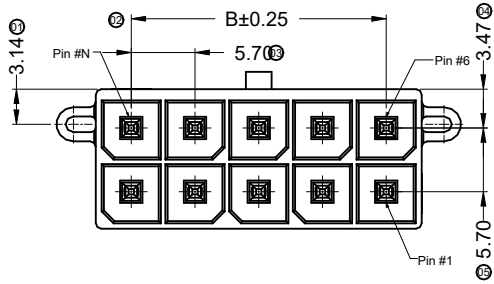
|                   |       |
|-------------------|-------|
| GENERAL TOLERANCE |       |
| .X                | ±0.30 |
| .XX               | ±0.20 |
| .XXX              | ±0.10 |
| X.°               | ±2°   |
| PROJECT           |       |
|                   |       |

|  |  |     |  |          |       |            |      |
|--|--|-----|--|----------|-------|------------|------|
| 东莞市思索技术股份有限公司<br>Dongguan SESO Technology Co.,Ltd. |  |     |  | APPROVAL | CHECK | DRAWN      | DATE |
| Smark  |  | Guo |  | Yu wei   |       | 2017/09/08 |      |

|                                |       |       |     |        |
|--------------------------------|-------|-------|-----|--------|
| PART NO.                       |       |       |     |        |
| 5700HX-2*XX-N0BK               |       |       |     |        |
| TITLE:                         |       |       |     |        |
| 5.70 mm Crimp Style Connectors |       |       |     |        |
| UNIT                           | SCALE | SHEET | REV | NUMBER |
| mm                             | 1:1   | 1/1   | B   | A-000  |

RoHS

This products can apply to the SESO Doc NO. QA-3-04-005 of Environmental&Material Management Rules



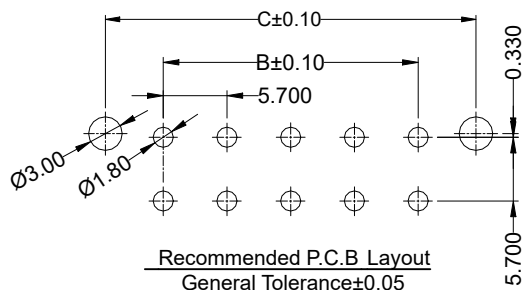
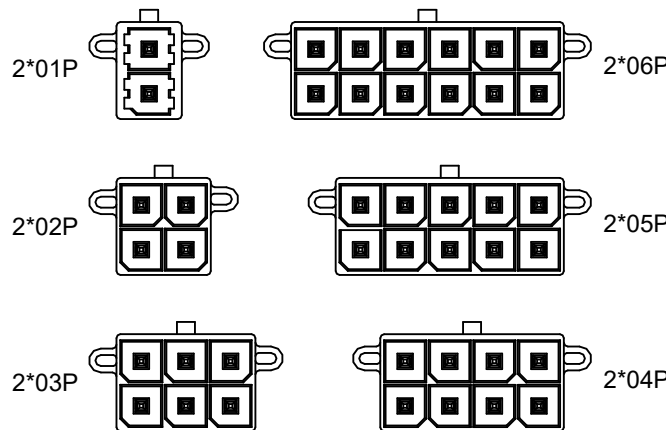
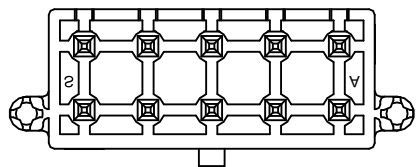
■ Specifications :

- Voltage rating: 600V AC / DC
- Current rating: 23A AC / DC
- Withstanding voltage: 2200V AC/minute
- Temperature range: -40°C~+105°C
- Insulation resistance: ≥1000MΩ
- Contact resistance: ≤2mΩ
- After environmental testing: ≤10mΩ
- Mates With SWB Housing: 5700H

5700 W V X-2\*XX X -LP SW BK T

① ② ③ ④ ⑤ ⑥ ⑦ ⑧ ⑨ ⑩

- ① Series No.
- ② Category: W-WAFER
- ③ Welding Board Angle: V-Straight 180°
- ④ Welding Way: Blank-DIP
- ⑤ Row No.-Pin No.: 2\*XX-2\*02P~2\*06P
- ⑥ Plug the Pin & Special No.: H-High conductive Brass
- ⑦ Material: LP -LCP 94V-0
- ⑧ Plating Category: SW-Matte Tin Plating
- ⑨ Color : Bk-Black
- ⑩ Packing Form: T-Tray

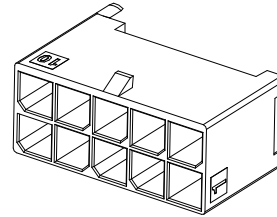
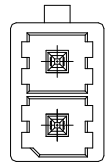
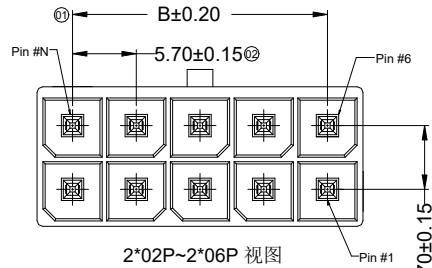


| Poles | Dimensions (mm) |       |       |
|-------|-----------------|-------|-------|
|       | A               | B     | C     |
| 2*01  | 8.35            | 5.70  | 12.34 |
| 2*02  | 12.05           | 5.70  | 16.04 |
| 2*03  | 17.75           | 11.40 | 21.74 |
| 2*04  | 23.45           | 17.10 | 27.44 |
| 2*05  | 29.15           | 22.80 | 33.14 |
| 2*06  | 34.85           | 28.50 | 38.84 |

|            |  |  |  |  |   |  |  |  |   |               |  |  |                                  |  |                      |  |  |  |  |        |  |  |  |  |          |  |  |  |  |
|------------|--|--|--|--|---|--|--|--|---|---------------|--|--|----------------------------------|--|----------------------|--|--|--|--|--------|--|--|--|--|----------|--|--|--|--|
|            |  |  |  |  | GENERAL TOLERANCE<br>.X ±0.30<br>.XX ±0.20<br>.XXX ±0.10<br>X.° ±2° |  |  |  | <b>SMS</b> 东莞市思索技术股份有限公司<br>Dongguan SESO Technology Co.,Ltd. |               |  |  | PART NO.<br>5700WV-2*XXH-LPSWBKT |  |                      |  |  |  |  |        |  |  |  |  |          |  |  |  |  |
|            |  |  |  |  | APPROVAL<br>Smark   |  |  |  | CHECK<br>Guo  |               |  |  | DRAWN<br>Yu wei                  |  |                      |  | TITLE:<br>5.70 mm Crimp Style Connectors |  |  |        |  |  |  |  |          |  |  |  |  |
| 2020/07/20 |  |  |  |  | B   |  |  |  |   | EN20200720001 |  |  |                                  |  | Update Drawing Frame |  |  |  |  | Zeng   |  |  |  |  | Robing   |  |  |  |  |
| DATE       |  |  |  |  | REV   |  |  |  |   | ECN NO.       |  |  |                                  |  | DESCRIPTION          |  |  |  |  | MODIFY |  |  |  |  | APPROVAL |  |  |  |  |
|            |  |  |  |  |   |  |  |  |   |               |  |  |                                  |  |                      |  |  |  |  |        |  |  |  |  |          |  |  |  |  |

RoHS

This products can apply to the SESO Doc NO. QA-3-04-005 of Environmental&Material Management Rules



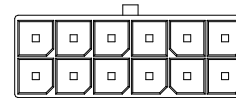
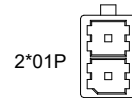
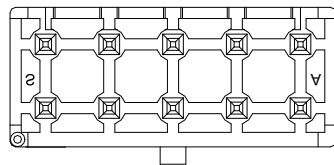
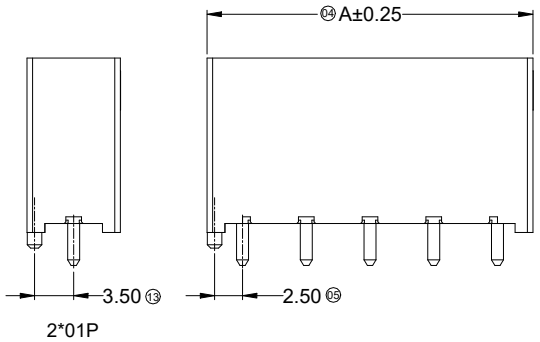
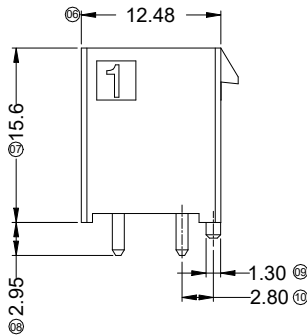
■ Specifications :

- Voltage rating: 600V AC / DC
- Current rating: 23A AC / DC
- Withstanding voltage: 2200V AC/minute
- Temperature range: -40°C~+105°C
- Insulation resistance: ≥1000MΩ
- Contact resistance: ≤2mΩ
- After environmental testing: ≤10mΩ
- Mates With SWB Housing: 5700H-2\*XX

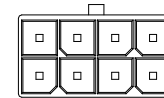
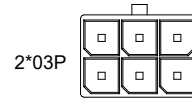
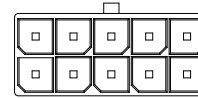
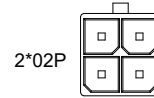
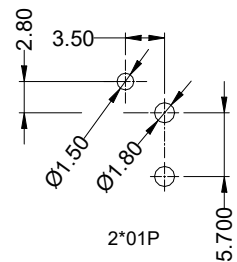
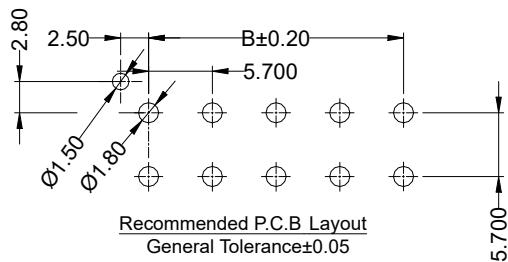
5700 W V - 2 x XX-LP B H 05 B H 001 F

① ② ③ ④ ⑤ ⑥ ⑦ ⑧ ⑨ ⑩ ⑪ ⑫

- ① Series No.
- ② Category: W-wafer
- ③ Connector Type: V- 180°
- ④ Bay Number: 2-Double Row
- ⑤ Row No.-Pin No: XX ( 2x2=4P... )
- ⑥ Plastic Material: LP-LCP 94V-0 ;
- ⑦ Color: B-BLACK
- ⑧ Hardware Material: H-High conductivity copper;B-Brass
- ⑨ Planting Code: 05-Matte tin plating
- ⑩ Packing: B-Bag
- ⑪ ROHS/HF: H-Halogen Free
- ⑫ Sequence Number: 001-Left single positioning column



| Poles | Dimensions (mm) |       |       |
|-------|-----------------|-------|-------|
|       | A               | B     | C     |
| 2*01  | 8.35            | 5.70  | 12.34 |
| 2*02  | 12.05           | 5.70  | 16.04 |
| 2*03  | 17.75           | 11.40 | 21.74 |
| 2*04  | 23.45           | 17.10 | 27.44 |
| 2*05  | 29.15           | 22.80 | 33.14 |
| 2*06  | 34.85           | 28.50 | 38.84 |

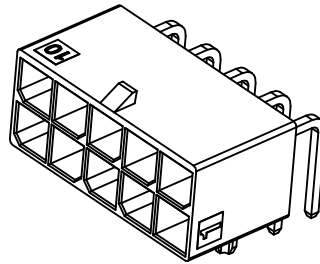
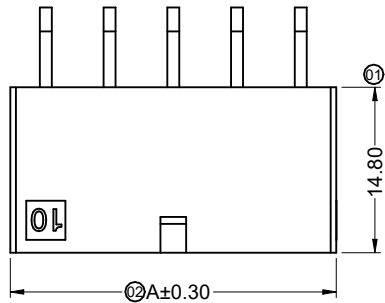


2\*01P~2\*06P 视图

| DATE       | REV | ECN NO.       | DESCRIPTION                        | MODIFY | APPROVAL | PROJECT           | APPROVAL  |          |       |       | PART NO. |                                |       |       |     |        |
|------------|-----|---------------|------------------------------------|--------|----------|-------------------|---|----------|-------|-------|----------|--------------------------------|-------|-------|-----|--------|
| 2023/06/07 | D   | /             | Add 2*01P view size and PCB layout | Zhou   | Robing   | GENERAL TOLERANCE | <b>东莞市思索技术股份有限公司</b><br>Dongguan SESO Technology Co.,Ltd. | APPROVAL | CHECK | DRAWN | DATE     | PART NO.                       |       |       |     |        |
| 2020/11/23 | C   | EN20201123001 | Change Stand off                   | Zeng   | Robing   | .X ±0.30          |   |          |       |       |          | 5700WV-2xXX-LPBX05BH001F       |       |       |     |        |
| 2020/07/20 | B   | EN20200720001 | Update Drawing Frame               | Zeng   | Robing   | .XX ±0.20         |   |          |       |       |          | TITLE:                         |       |       |     |        |
|            |     |               |                                    |        |          | .XXX ±0.10        |   |          |       |       |          | 5.70 mm Crimp Style Connectors |       |       |     |        |
|            |     |               |                                    |        |          | X° ±2°            |   |          |       |       |          | UNIT                           | SCALE | SHEET | REV | NUMBER |
|            |     |               |                                    |        |          | PROJECT           | mm  | 1:1      | 1/1   | D     | A-000    |                                |       |       |     |        |

RoHS

This products can apply to the SESO Doc NO. QA-3-04-005 of Environmental&Material Management Rules



| Poles | Dimensions (mm) |       |
|-------|-----------------|-------|
|       | A               | B     |
| 2*01  | 8.35            |       |
| 2*02  | 12.05           | 5.70  |
| 2*03  | 17.75           | 11.40 |
| 2*04  | 23.45           | 17.10 |
| 2*05  | 29.15           | 22.80 |
| 2*06  | 34.85           | 28.50 |

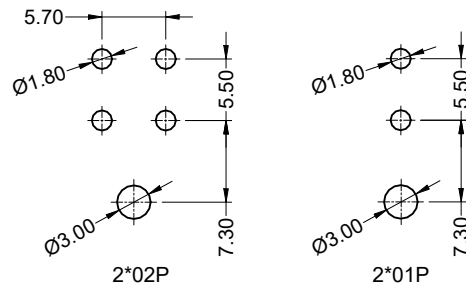
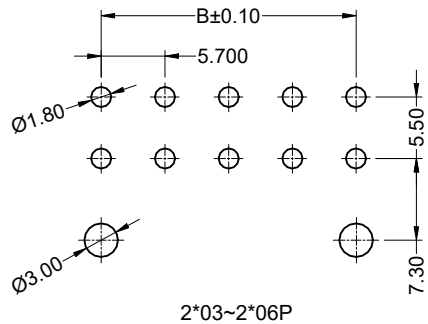
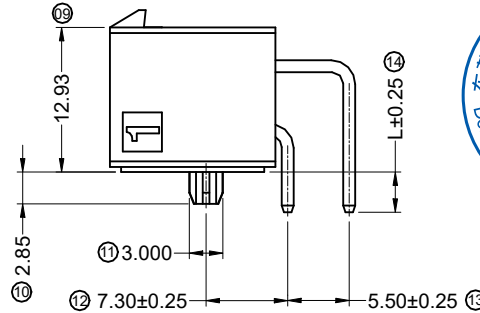
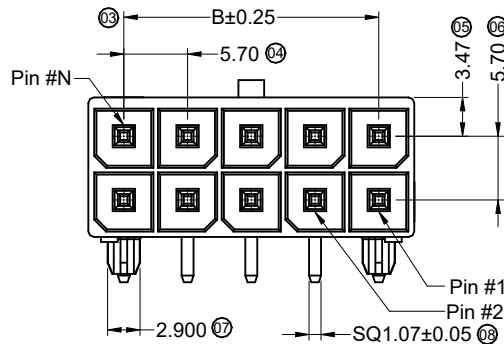
■ Specifications :

- Voltage rating: 600V AC / DC
- Current rating: 23A AC / DC
- Withstanding voltage: 2200V AC/minute
- Temperature range: -40°C~+105°C
- Insulation resistance: ≥1000MΩ
- Contact resistance: ≤2mΩ
- After environmental testing: ≤10mΩ
- Mates With SWB Housing: 5700H

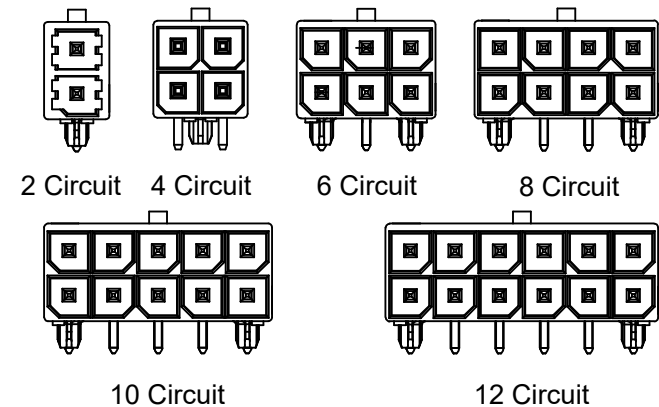
5700 W R X-2\*XX X -LP SW BK X

① ② ③ ④ ⑤ ⑥ ⑦ ⑧ ⑨ ⑩

- ① Series No.
- ② Category: W-WAFER
- ③ Connector Type: R-Straight 90°
- ④ Mounting Type: Blank-DIP
- ⑤ Row No.-Pin No Per Row: 2\*XX-2\*02P~2\*06P
- ⑥ Special No.: H-High conductive Brass, Pin length over Plug board-L3.60mm  
HA-High conductive Brass, Pin length over Plug board-L1.35mm  
HB-High conductive Brass, Pin length over Plug board-L2.15mm
- ⑦ Material: LP -LCP 94V-0
- ⑧ Plating Code: SW-Matte Tin Plating
- ⑨ Color : BK-Black Color
- ⑩ Packing : T-Tray ; R-Reel



Recommended P.C.B Layout  
General Tolerance±0.05



| DATE       | REV | ECN NO.       | DESCRIPTION          | MODIFY | APPROVAL |
|------------|-----|---------------|----------------------|--------|----------|
| 2020/12/05 | C   | EN20201205001 | 新增规格插板外漏针长L1.35mm规格  | Zeng   | Robing   |
| 2020/07/20 | B   | EN20200720001 | Update Drawing Frame | Zeng   | Robing   |

| GENERAL TOLERANCE |        |
|-------------------|--------|
| .X                | ±0.30  |
| .XX               | ±0.20  |
| .XXX              | ±0.10  |
| X°                | ±2°    |
| PROJECT           |        |
| Symbol            | Symbol |

**SMS** 东莞市思索技术股份有限公司  
Dongguan SESO Technology Co.,Ltd.

APPROVAL: Smark    CHECK: Guo    DRAWN: Yu wei    DATE: 2017/02/25

| PART NO.                       |       |       |     |        |
|--------------------------------|-------|-------|-----|--------|
| 5700WR-2*XXHX-LPSWBKT          |       |       |     |        |
| TITLE:                         |       |       |     |        |
| 5.70 mm Crimp Style Connectors |       |       |     |        |
| UNIT                           | SCALE | SHEET | REV | NUMBER |
| mm                             | 1:1   | 1/1   | B   | A-000  |