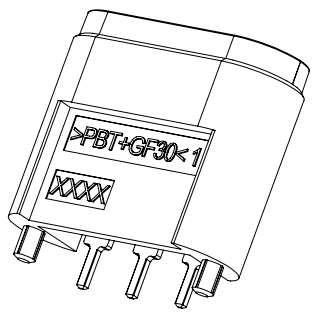


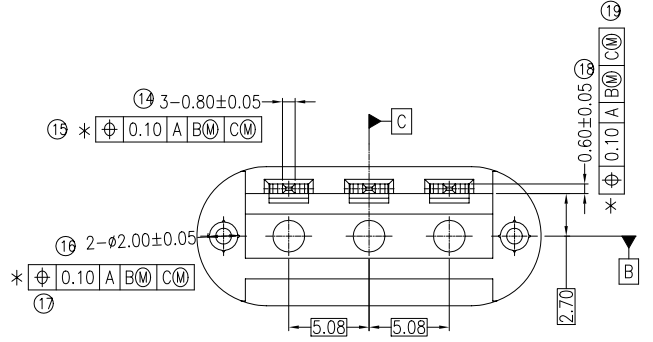
RoHS

This products can apply to the SESO Doc NO. QA-3-04-005 of Environmental&Material Management Rules

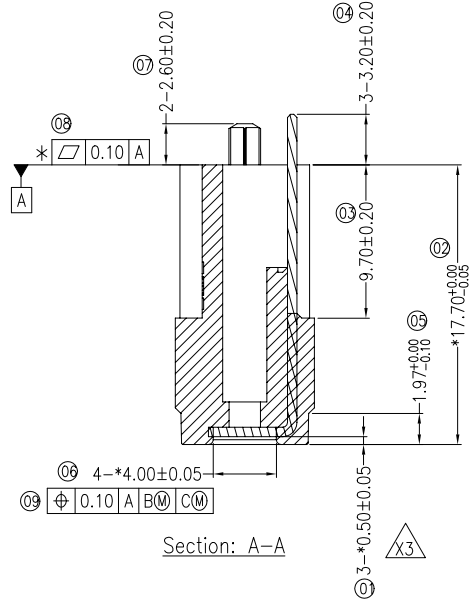
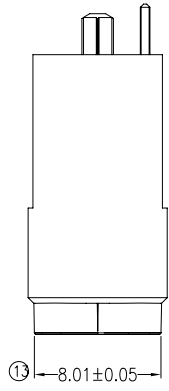
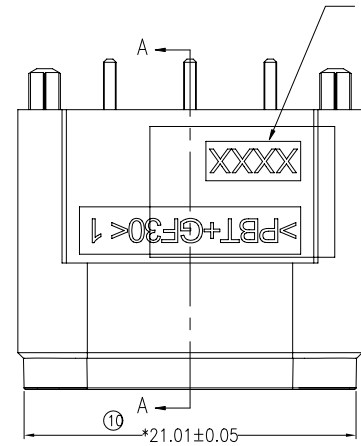


Preliminary drawing  
This is subject to change without notice

- Specifications :
- Voltage rating: 20V AC/DC
  - Current rating: 5A AC/DC
  - Temperature range: -40°C~+150°C

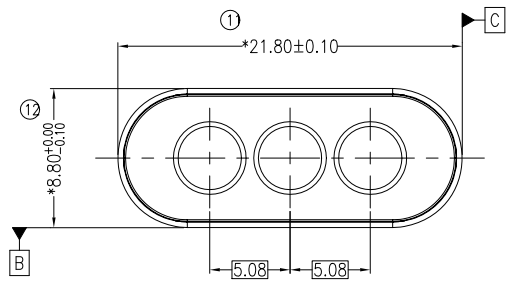


Date Code  
Example: "1023"  
The 10th week of 2023



5084 W V X-03-PT XXX B I  
① ② ③ ④ ⑤ ⑥ ⑦ ⑧ ⑨

- ① Series No.:
- ② Category:W-Wafer
- ③ Connector Type:V-Straight 180°
- ④ Mouting Type:Blank-DIP
- ⑤ Row No.-Pin No.:03-03Pin
- ⑥ Plastic Material:PT-PBT UL94V-0
- ⑦ Planting Code:SN1-Bright Tin Planting  
GW01-Contact Area Au FU Planting X6  
GW10-Contact Area Au 10u" Planting X5
- ⑧ Color:B-Black
- ⑨ Packing:T-Tray



A	20240109	x7	/	Update Drawing	Maple Jane	Larry Yang	东莞市思索技术股份有限公司 Dongguan SESO Technology Co.,Ltd.				PART NO: 5084WV-03-PTXXXBT					
	20231128	x6	/	ADD Planting Au FU	Maple Jane	Larry Yang					TITLE: 5.084 mm Crimp Style Connectors					
	20230926	x5	/	ADD Planting	Maple Jane	Larry Yang					APPROVAL	CHECK	DRAWN	DATE		
	DATE	REV	ECN NO.	DESCRIPTION	MODIFY	APPROVAL					Jack Zhang	Larry Yang	Maple Jane	2023/03/08	UNIT	SCALE
										mm	1:1	1/1	x7	CD		