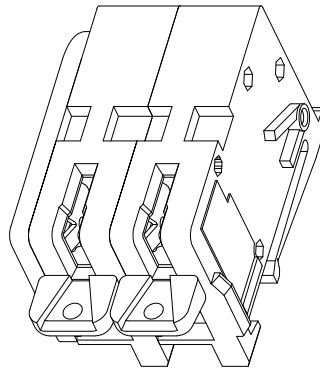
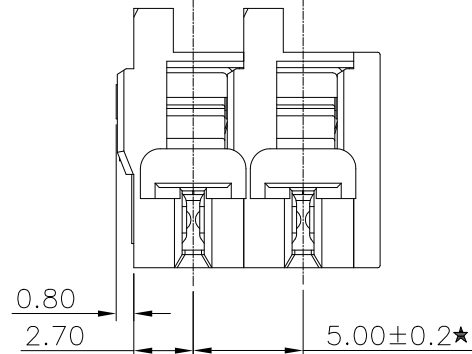


RoHS

This products can apply to the SESO Doc NO. QA-3-04-005 of Environmental&Material Management Rules

RD-1

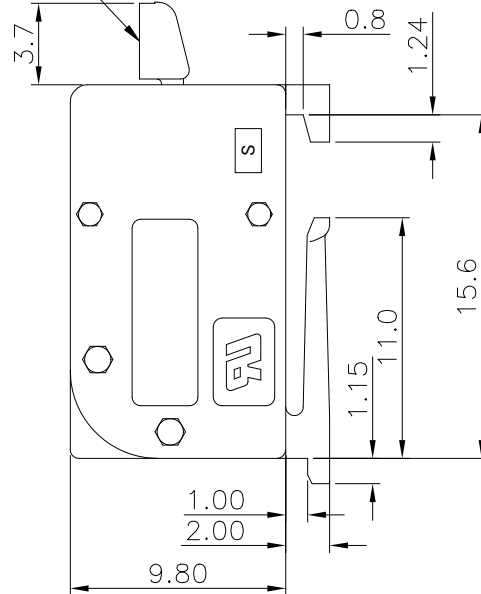
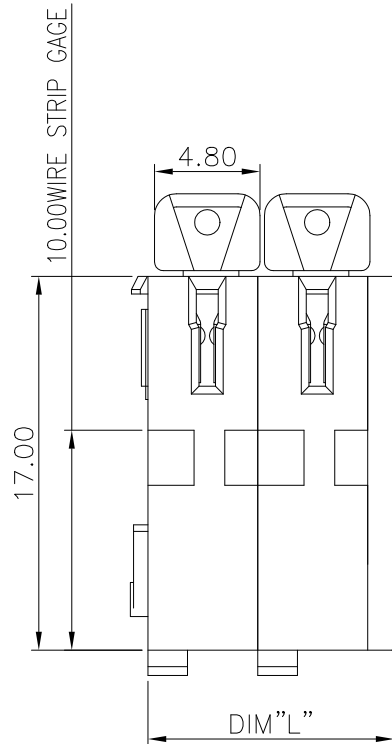
Preliminary drawing  
This is subject to change without notice



RELEASE LEVER

■ Specifications :

- Voltage rating: 250V AC/DC
- Current rating: 5A(18AWG) 3A(20-24AWG)
- Withstanding voltage: 1500V AC/minute
- Temperature range: -40°C~+85°C
- Insulation resistance: ≥1000MΩ
- Contact resistance: ≤10mΩ
- After environmental testing: ≤20mΩ
- Material(Pin): Copper ALLOY
- Mates With WAFER: 2318770
- Symbols for SPC dimensions: " ★ "
- Product Specification: PS-XXXX-11
- Packaging: see SWB drawing PK-XXXX



5004 H-XX - PT NC -X  
① ② ③ ④ ⑤ ⑥

- ① Series No.
- ② Category: H-HSG
- ③ Row No.-Pin No.: 02-08P
- ④ Plastic material: PT-PBT GF
- ⑤ Color: NC-natural color
- ⑥ Special code

CIRCUITS	L(±0.2)
2	11.2
3	16.2
4	21.2
5	26.2
6	31.2
7	36.2
8	41.2

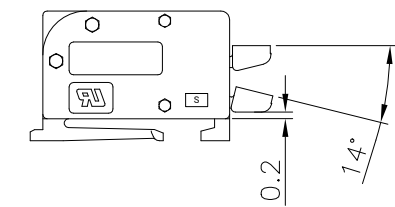
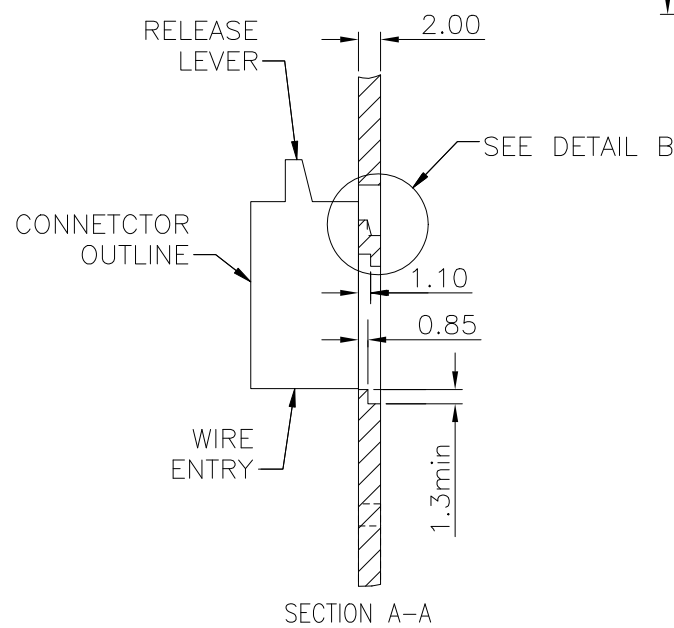
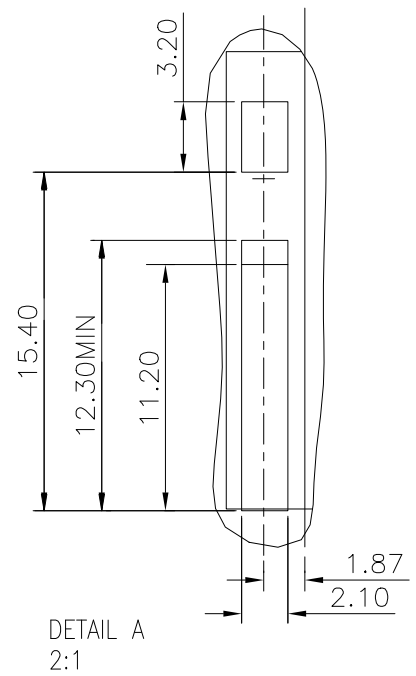
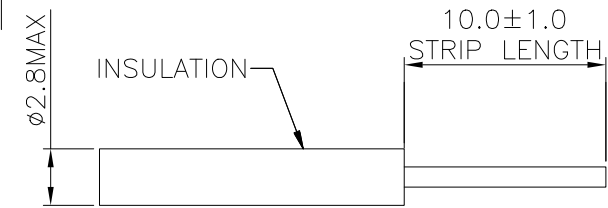
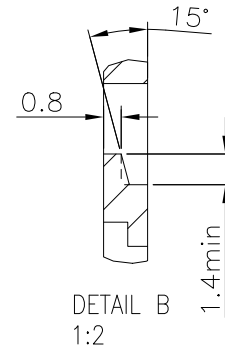
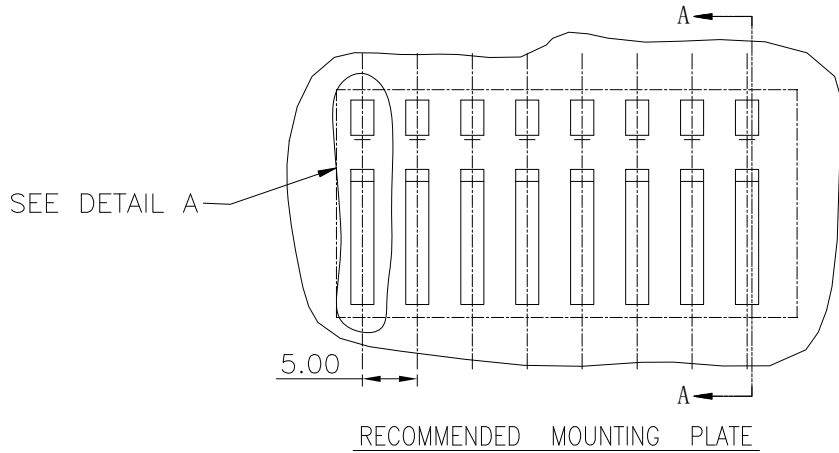
GENERAL TOLERANCE						PART NO.			
.X ±0.35						5004HI-XX-PTSN1NT			
.XX ±0.25						TITLE			
.XXX ±0.15						5.00 POKE-IN CONN			
X.° ±2°						APPROVAL	CHECK	DRAWN	DATE
DATE	REV	ECN NO.	DESCRIPTION	MODIFY	APPROVAL	Kevin Yu	John Yang	Sally Hu	2021/11/2
PROJECT						UNIT	SCALE	SHEET	REV
						mm	1:3	1/2	X0
						NUMBER			
						XXXX			

**SMS** 东莞市思索技术股份有限公司  
Dongguan SESO Technology Co.,Ltd.

RoHS

This products can apply to the SESO Doc NO. QA-3-04-005 of Environmental&Material Management Rules

RD-1



					<p>GENERAL TOLERANCE</p> <p>.X ±0.35</p> <p>.XX ±0.25</p> <p>.XXX ±0.15</p> <p>X.° ±2°</p>				<p><b>SMS</b> 东莞市思索技术股份有限公司 Dongguan SESO Technology Co.,Ltd.</p>				PART NO. 5004HI-XX-PTSN1NT				
					<p>PROJECT</p> <p>APPROVAL Kevin Yu</p> <p>CHECK John Yang</p> <p>DRAWN Sally Hu</p> <p>DATE 2021/11/2</p>								TITLE 5.00 POKE-IN CONN				
DATE	REV	ECN NO.	DESCRIPTION	MODIFY	APPROVAL					UNIT	SCALE	SHEET	REV	NUMBER			
1										mm	2:3	2/2	X0	XXXX			