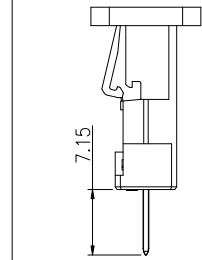
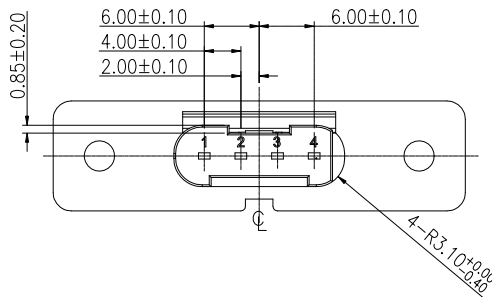
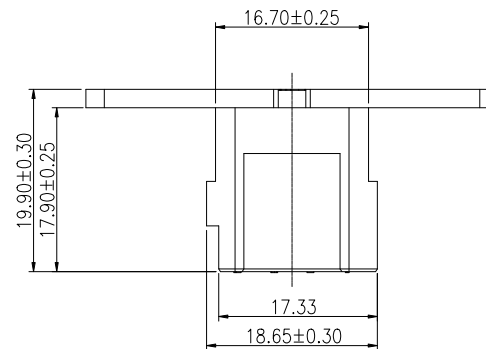
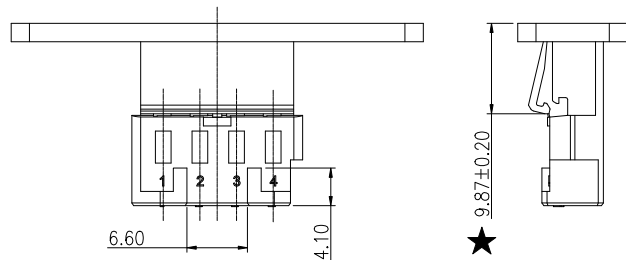
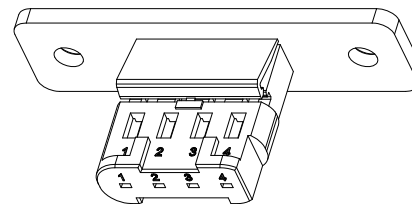
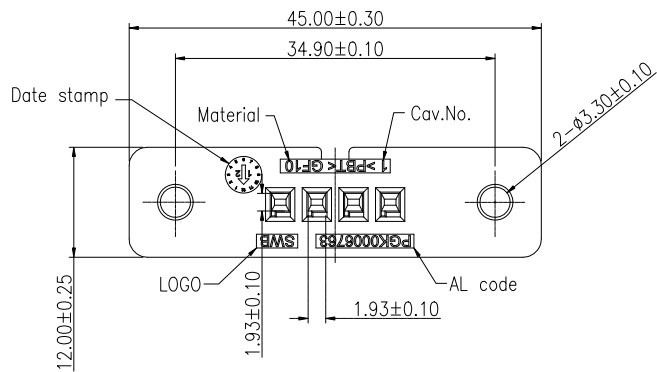


RoHS

This products can apply to the SESO Doc NO. QA-3-04-005 of Environmental&Material Management Rules



PIN exposed size



Specifications :

- Voltage rating: 63V AC / DC
- Current rating: 8A AC / DC
- Withstanding voltage: 800V AC/minute
- Temperature range: -40°C~+105°C
- Insulation resistance: ≥1000MΩ
- Contact resistance: ≤20mΩ
- After environmental testing: ≤40mΩ
- Symbols for SPC dimensions: " ★ "

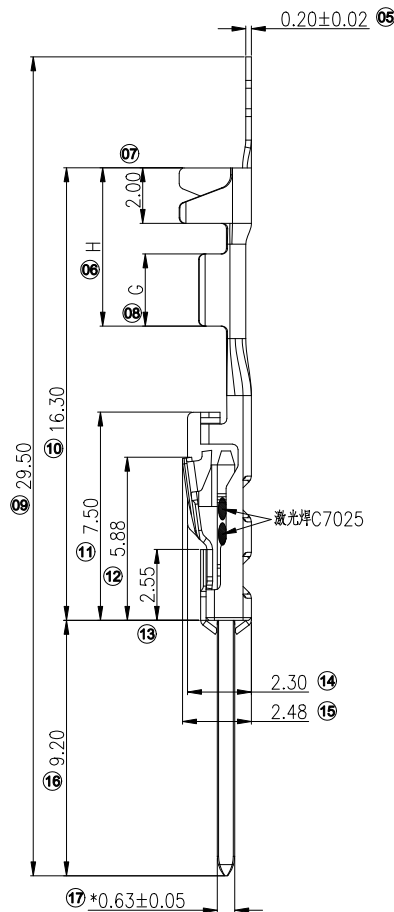
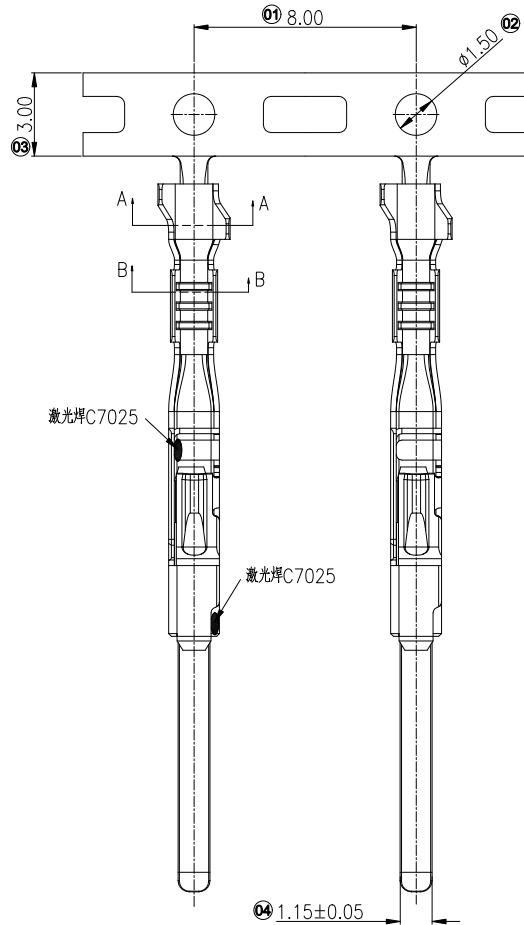
4016 H M - 04 - PT BK
① ② ③ ④ ⑤ ⑥

- ① Series No.
- ② Category: H-Housing
- ③ Connector Type: M-Male Housing
- ④ Row No.-Pin No: 04-04PIN
- ⑤ Plastic material: PT-PBT
- ⑥ Color: BK-Black

						GENERAL TOLERANCE				PART NO. 4016HM-04-PTBK				
						.X ±0.35				TITLE 4.00mm Housing				
						.XX ±0.25				APPROVAL				
						.XXX±0.15				CHECK				
						X.' ±2'				DRAWN				
2022/08/03						A0				DATE				
/						Initial release				Wangcheng				
Initial release						Wangcheng				LarryYang				
DATE						REV				ECN NO.				
DESCRIPTION						MODIFY				APPROVAL				
						PROJECT				Jason Huang				
										Larry Yang				
										Wangcheng				
										2022/08/03				
										UNIT				
										SCALE				
										SHEET				
										REV				
										NUMBER				
										mm				
										1:1				
										1/1				
										A0				
										CD				

RoHS

This products can apply to the SESO Doc NO. QA-3-04-005 of Environmental&Material Management Rules

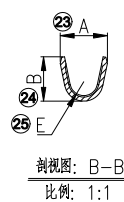
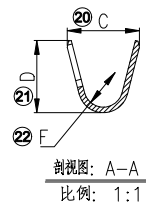
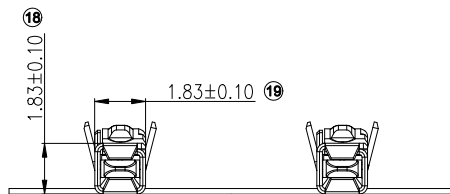


Specifications :

- Voltage rating: 63V AC / DC
- Current rating: 8A AC / DC
- Withstanding voltage: 800V AC/minute
- Temperature range: -40°C~+105°C
- Insulation resistance: ≥1000MΩ
- Contact resistance: ≤20mΩ
- After environmental testing: ≤40mΩ
- Mates With SESO Housing: 4016H

4016 I X M - H Y2 B
① ② ③ ④ ⑤ ⑥ ⑦

- ① Series No.
- ② Category: T-terminal
- ③ Shape: Blank-Common Feet ; H-High Feet ;
- ④ Connector Type: M-Male terminal
- ⑤ Material: H-High Conductivity Copper(C7025)
- ⑥ Plating code: Y2-40~120u"(1.0~3.0um)Tin, 40~100u"(1.0~2.5um)Ni
- ⑦ Plating Process: B-Stamping After Plating



4016THM-HXXX	AWG#18~20 (0.75~0.50mm ²)	1.60~1.90mm	2.10	2.20	2.80	3.00	φ1.10	φ1.60	3.00	6.10
4016TM-HXXX	AWG#22~24 (0.35~0.22mm ²)	1.20~1.45mm	1.70	1.70	2.60	2.60	φ1.00	φ1.40	2.60	5.70
Part NO.	Wire Range	Insulation O.D.	DIM A	DIM B	DIM C	DIM D	DIM E	DIM F	DIM G	DIM H

2022/10/11	X1	/	Modify drawings	Wangcheng	LarryYang
2022/08/03	X0	/	Initial release	Wangcheng	LarryYang
DATE	REV	ECN NO.	DESCRIPTION	MODIFY	APPROVAL

GENERAL TOLERANCE
.X ±0.35
.XX ±0.25
.XXX±0.15
X.' ±2'

PROJECT
Jason Huang

SMS 东莞市思索技术股份有限公司
Dongguan SESO Technology Co.,Ltd.

APPROVAL: Jason Huang, Larry Yang, Wangcheng

DATE: 2022/08/03

PART NO. 4016TXM-HY2B				
TITLE 4.00mm Terminal				
UNIT	SCALE	SHEET	REV	NUMBER
mm	1:1	1/1	X1	A-000