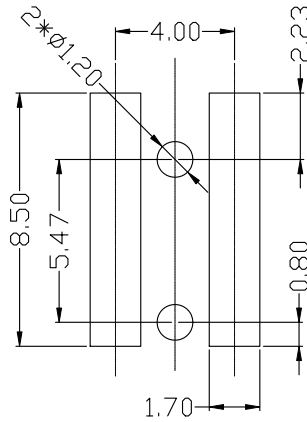
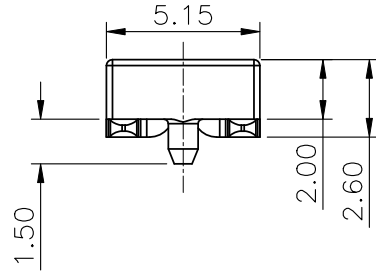
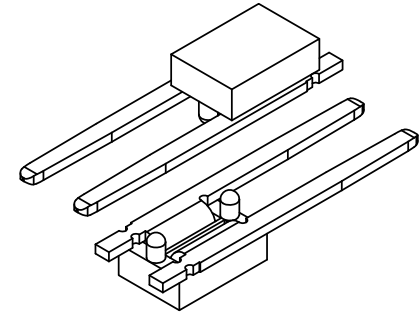
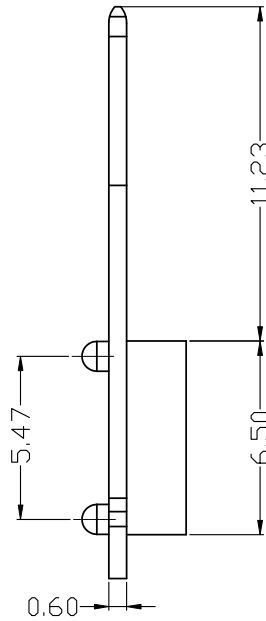
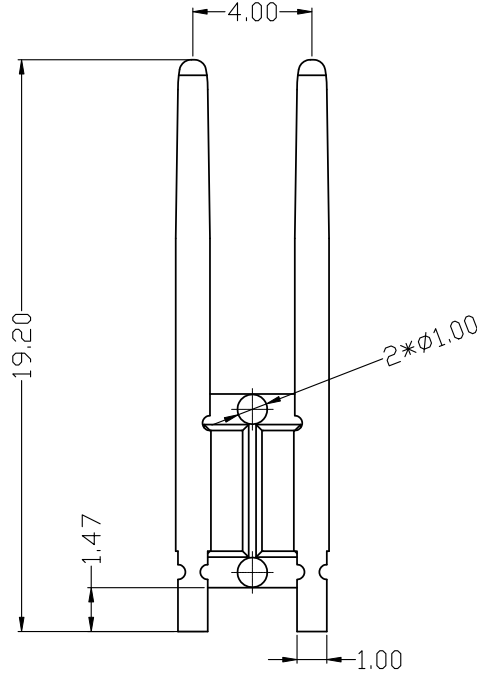


RoHS

This products can apply to the SWB Doc NO. QA-3-04-005 of Environmental&Material Management Rules



Recommended P.C.B Layout
General Tolerance±0.05




Specifications :

- Insulating material: High temp. Thermoplast UL94V-0
- Contat material: Brass H65 (C2680)
- Plating: Tin
- Voltage rating: 250V Max. AC / DC
- Current rating: 3A Max.AC / DC
- Withstanding voltage: 500V AC/minute
- Temperature range: -40°C~+125°C
- Max.processing temp: 260°C for 10seconds

4011 W R S - 02 P - 9T XX X R

① ② ③ ④ ⑤ ⑥ ⑦ ⑧ ⑨ ⑩

- ① Series No.
- ② Category: W-Wafer
- ③ Connector Type: R- 90°
- ④ Mouting Type: S-SMT
- ⑤ Row No.-Pin No Per Row: 02-02P
- ⑥ Special No.: P-With Post Blank-Without Post
- ⑦ Material: 9T-PA9T 94V-0
- ⑧ Plating Category:
SW1-Matte Tin100u" Min. ; Ni 50u" Min.
- ⑨ Color:Blank-Black Color
- ⑩ Packing: R-Reel

| | | | | | | | | | | | | | | |
|------|-----|--------|-------------|--------|----------|---|--|--|--|---|--|--|--|--|
| | | | | | |  东莞市思索连接器有限公司 SWB CONNECTORS CO.,LTD | | | | PART NO. 4011WRS-02P-9TSW1R | | | | |
| | | | | | | APPROVAL CHECK DRAWN DATE | | | | TITLE 4.0mm Crimp Style Connector | | | | |
| | | | | | | Jason Robing Larry 2021/02/06 | | | | UNIT SCALE SHEET REV NUMBER | | | | |
| | | | | | | | | | | mm 4:1 1/1 A0 A-013 | | | | |
| DATE | REV | ECN NO | DESCRIPTION | MODIFY | APPROVAL | PROJECT | | | | | | | | |