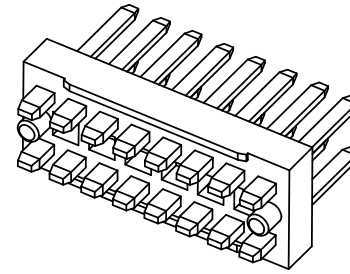
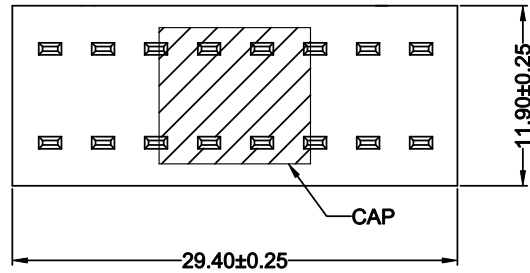


RoHS

This products can apply to the SWB Doc NO. QA-3-04-005 of Environmental&Material Management Rules

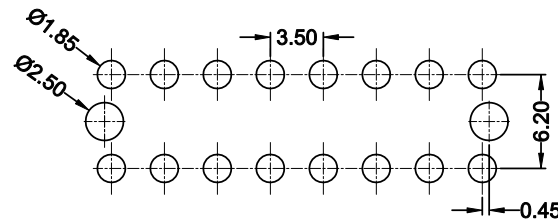
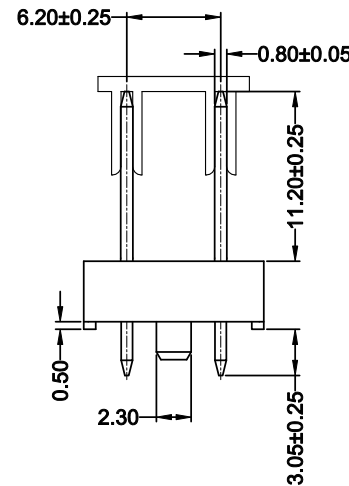
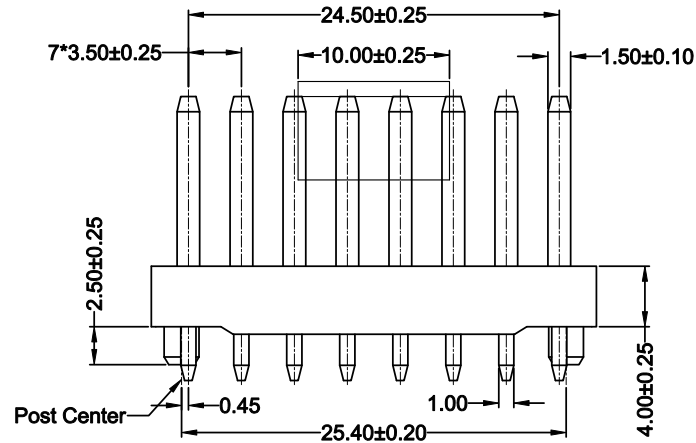


■ Specifications :

- Voltage rating: 250V Max. AC / DC
- Current rating: 3A Max.AC / DC
- Withstanding voltage: 500V AC/minute
- Temperature range: -40°C~+105°C
- Max.processing temp: 260°C for 10seconds
- Insulating material:
High temp.Thermoplast UL94V-0
- Contat material: Copper Alloy
- Plating: Matte Tin

3500 W V X - 2*08 P - 9T XX X C - 01
① ② ③ ④ ⑤ ⑥ ⑦ ⑧ ⑨ ⑩ ⑪

- ① Series No.
- ② Category: W-Wafer
- ③ Connector Type: V- 180°
- ④ Mouting Type: Blank-DIP
- ⑤ Row No.-Pin No.: 2*08-Double Row
- ⑥ Special No.: P-With Post Blank-Without Post
- ⑦ Material: 9T-PA9T 94V-0
- ⑧ Plating Category:
SW1-Matte Tin100u" Min. ; Ni 50u" Min.
- ⑨ Color:Blank-Black Color
- ⑩ Packing: C-Reel With CAP
- ⑪ 01-3.05/4.00/11.20



Recommended P.C.B Layout
General Tolerance±0.05



					<p>GENERAL TOLERANCE</p> <p>.X ±0.30</p> <p>.XX ±0.20</p> <p>.XXX ±0.10</p> <p>X° ±2°</p>				<p>东莞市思索连接器有限公司</p> <p>SWB CONNECTORS CO.,LTD</p>				<p>PART NO.</p> <p>3500WV-2*08P-9TSW1C-01</p>			
					<p>PROJECT</p> <p>Jason Robing Larry</p>				<p>TITLE</p> <p>3.50 mm Pin Header Connectors</p>							
2021/09/25	A1	/	增加物料孔	卿欣	杨蒙	APPROVAL	CHECK	DRAWN	DATE	UNIT	SCALE	SHEET	REV	NUMBER		
DATE	REV	ECN NO.	DESCRIPTION	MODIFY	APPROVAL	Jason	Robing	Larry	2021/01/13	mm	3:1	1/1	A1	A-013		