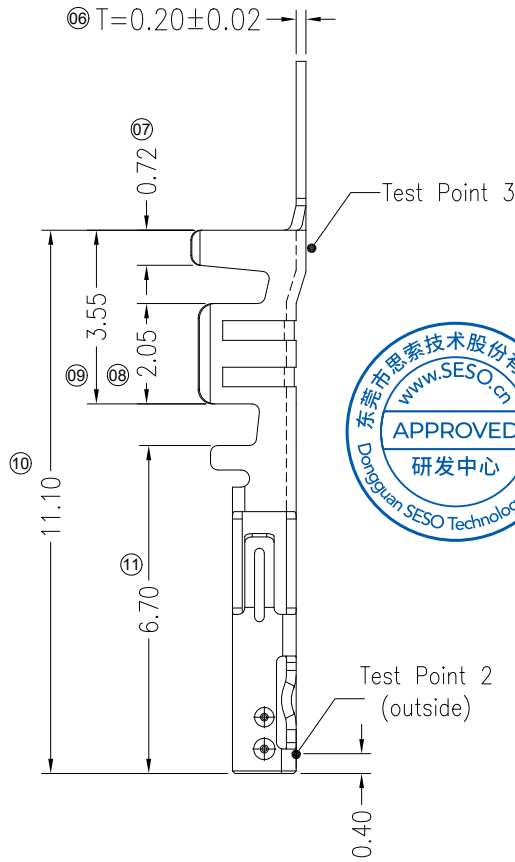
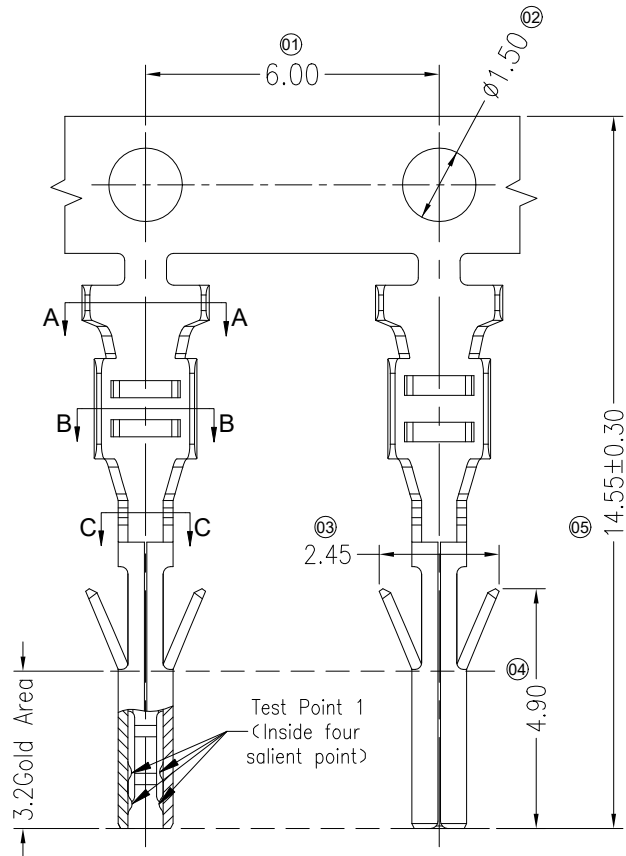




RoHS

This products can apply to the SESO Doc NO. QA-3-04-005 of Environmental&Material Management Rules

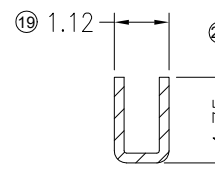
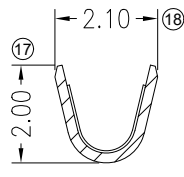
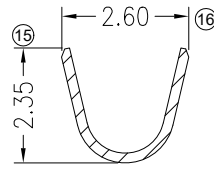
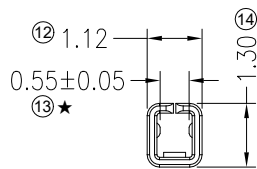


- Specifications :
- Voltage rating: 250V AC / DC
  - Current rating: 5A Max AC / DC
  - Withstanding voltage: 1000V AC/minute
  - Temperature range: -40°C~+105°C
  - Insulation resistance: ≥1000MΩ
  - Contact resistance: <10mΩ
  - After environmental testing: <20mΩ

- Wire Size: AWG#20~22(0.5~0.35mm<sup>2</sup>)
- Insulation O.D.: 1.85mm Max
- Used In SESO Housing: 3025HM
- "★"Critical dimension

3025 T F-P XX X- V  
 ① ② ③ ④ ⑤ ⑥ ⑦

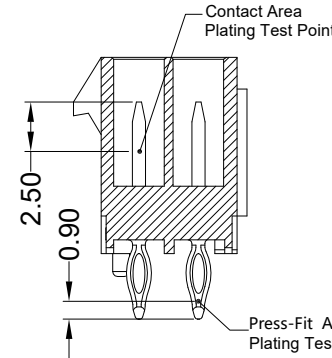
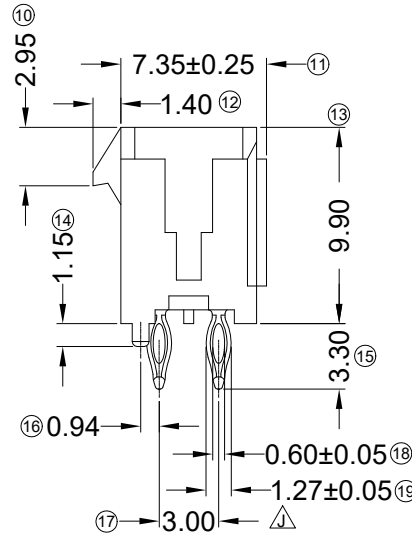
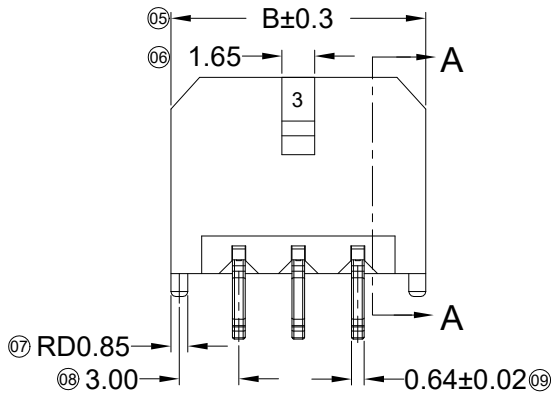
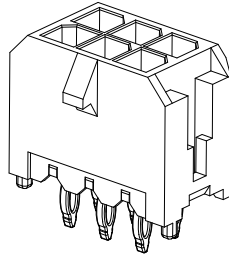
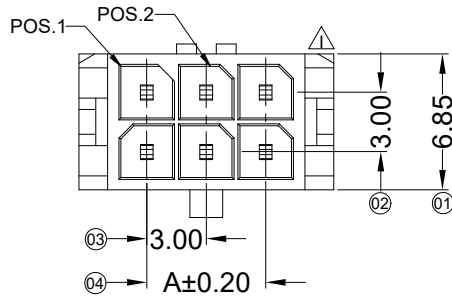
- ① Series Number
- ② Category: T-terminal
- ③ Shape: F-Female Terminal
- ④ Material: P-Phosphor bronze
- ⑤ Plating Code:  
 GW30-Contact point gold 30u"(inside test point 1)  
 Gold area1u"(outside test point 2)  
 Matte tin plating(outside test point 3)
- G30- Contact point gold 30u"(inside test point 1)  
 Gold area1u"(outside test point 2)  
 Other area Ni 30u" Min
- G15- Contact point gold 15u"(inside test point 1)  
 Gold area1u"(outside test point 2)  
 Other area Ni 30u" Min
- G01-Contact Area Gold Flash (outside test point 2)  
 SN-Bright tin plating(outside test point 2)
- ⑥ Plating method: Blank-Stamping before plating
- ⑦ V- Convex hull limit



					GENERAL TOLERANCE				PART NO: 3025TF-PXXX-V					
					.X ±0.35				<b>东莞市思索技术股份有限公司</b> Dongguan SESO Technology Co.,Ltd.					
					.XX ±0.25									
					.XXX±0.15				TITLE: 3.00mm Crimp Style Connectors					
					X' ±2'				APPROVAL    CHECK    DRAWN    DATE					
					PROJECT				UNIT    SCALE    SHEET    REV    NUMBER					
									mm    1:1    1/1    B1    CD					
A	20230406	B1	/	Add Plating	Gu	Larry	Larry Yang	Jane	Alan qin	2017/09/14				
	20200318	B	EN20200318001	Update Drawing Frame	Alan qin	Robing								
	DATE	REV	ECN NO.	DESCRIPTION	MODIFY	APPROVAL								

RoHS

This products can apply to the SESO Doc NO. QA-3-04-005 of Environmental&Material Management Rules



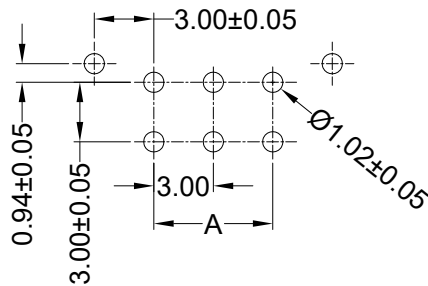
Section: A-A

■ Specifications :

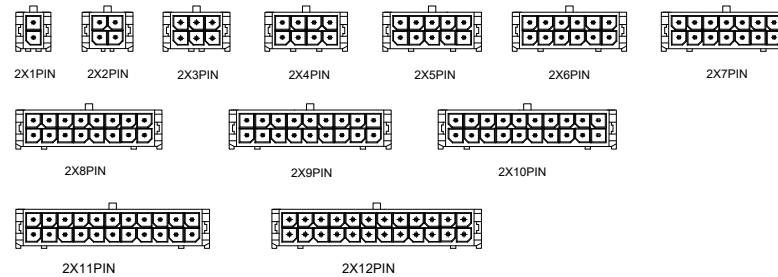
- Voltage rating: 250V AC / DC
- Current rating: 5A Max AC / DC
- Withstanding voltage: 1000V AC/minute
- Temperature range: -40°C~+105°C
- Insulation resistance: ≥1000MΩ
- Contact resistance: ≤10mΩ
- After environmental testing: ≤20mΩ
- Material(Pin&Solder tab): Phosphor Bronze
- Mates With SWB Housing 3025H-2\*XX

3025 W V X-2\*XX CE -LP XX XX-XX  
① ② ③ ④ ⑤ ⑥ ⑦ ⑧ ⑨ ⑩

- ① Series No.
- ② Category: W-WAFER
- ③ Connector Type: V-Straight 180°
- ④ Mounting Type: Blank-DIP
- ⑤ Row No.-Pin No.: 2\*XX-2\*01P~2\*22P
- ⑥ Special No.: CE-Press-fit Type
- ⑦ Material: LP-LCP 94V-0
- ⑧ Plating Category:  
SW-Contact Area Gold Matte Tin Plating 100u" Min.  
Press-Fit Area Matte Tin 20~60u" Ni: 70u" Min  
G01-Contact Area Gold 0.8u"Min.  
Press-Fit Area Matte Tin 20~60u" Ni: 70u" Min  
G15-Contact Area Gold 15u"Min.  
Press-Fit Area Matte Tin 20~60u" Ni: 70u" Min  
G30-Contact Area Gold 30u"Min.  
Press-Fit Area Matte Tin 20~60u" Ni: 70u" Min
- ⑨ Color : Blank- Black Color
- ⑩ DC-With Date Code Blank-No Date Code



Recommended P.C.B Layout



Poles	Dimensions (mm)		Poles	Dimensions (mm)	
	A	B		A	B
2*01	---	6.85	2*07	18.00	24.85
2*02	3.00	9.85	2*08	21.00	27.85
2*03	6.00	12.85	2*09	24.00	30.85
2*04	9.00	15.85	2*10	27.00	33.85
2*05	12.00	18.85	2*11	30.00	36.85
2*06	15.00	21.85	2*12	33.00	39.85

DATE	REV	ECN NO.	DESCRIPTION	MODIFY	APPROVAL	GENERAL TOLERANCE				APPROVAL				PROJECT					
						.X	±0.30	.XX	±0.20	.XXX	±0.10	X.'	±2'	Larry	Larry	Alan qin	2017/02/27	UNIT	SCALE
2023-02-08	L1	EN20230207001	Update Planting thickness	Alan qin	Larry yang	SMS 东莞市思索技术股份有限公司 Dongguan SESO Technology Co.,Ltd.				PART NO. 3025WV-2*XXCE-LPXXXX-XX				TITLE 3.00mm Crimp Style Connector					
2020-07-24	L	EN20200420002	Update drawing frame	Joshua	Joshua	APPROVAL				DATE					MM	1:1	1/1	L1	A-000