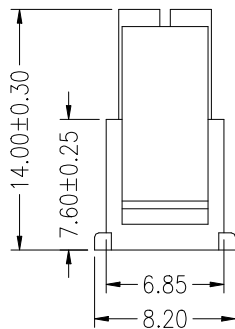
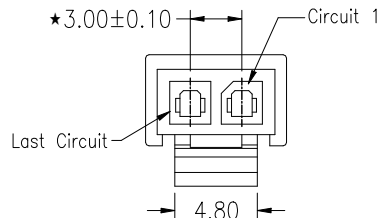
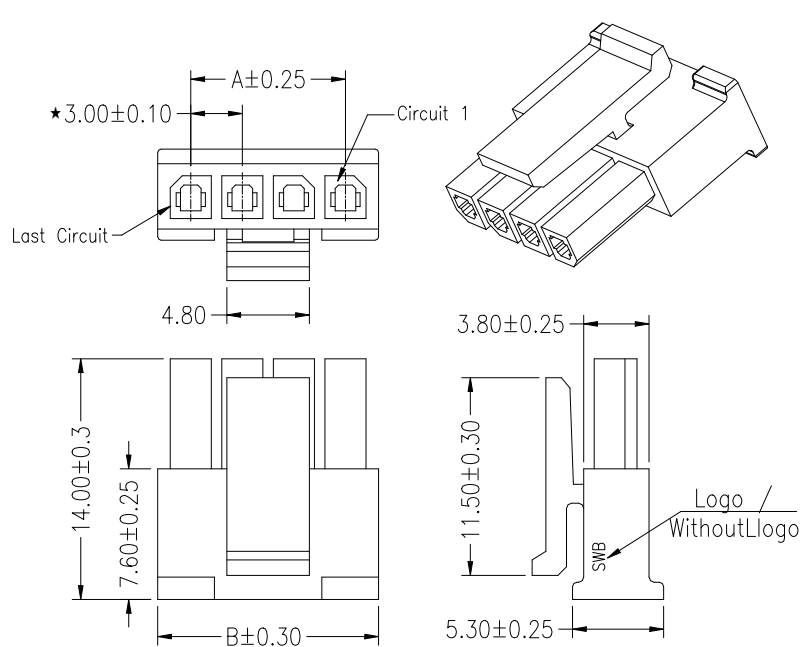
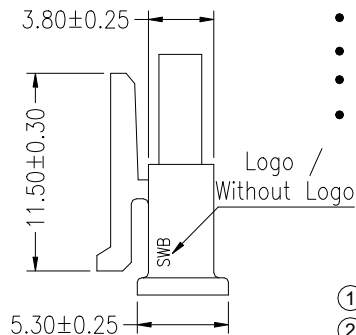


RoHS

This products can apply to the SESO Doc NO. QA-3-04-005 of Environmental&Material Management Rules



2PIN

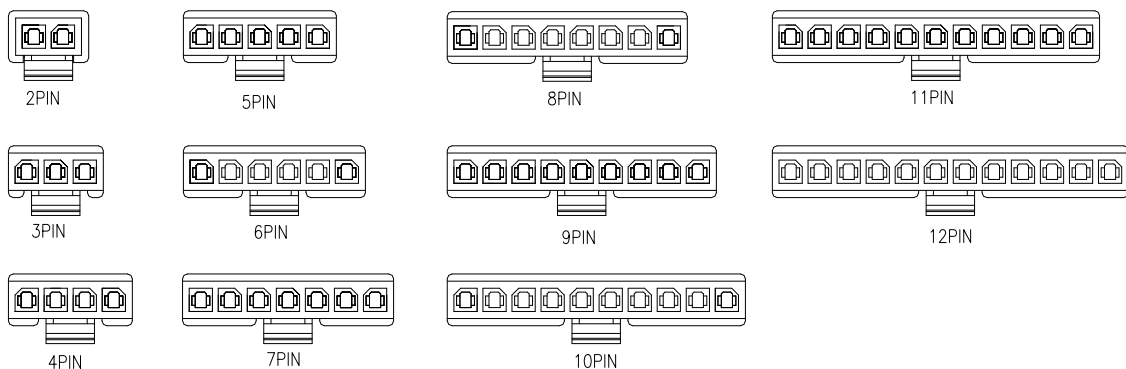


Specifications :

- Voltage rating: 250V AC / DC
- Current rating: 7A Max AC / DC
- Withstanding voltage: 1000V AC/minute
- Temperature range: -40°C~+105°C
- Insulation resistance: ≥1000MΩ
- Contact resistance: ≤10mΩ
- After environmental testing: ≤20mΩ
- Suitable SESO Terminal: 3025THF
- Mates With SESO Wafer: 3025W
- "★"Critical dimension

3025 H M-XX X-N0 XX-X
① ② ③ ④ ⑤ ⑥ ⑦ ⑧

- ① Series No.
- ② Category: H-HSG
- ③ Connector Type: M-Male HGS
- ④ Row No.-Pin No Per Row: XX-02P~12P
- ⑤ Special No.: Blank-Ordinary / Without Logo
S-Ordinary / With "SWB" Logo
- ⑥ Material: N0-PA66 94V-0
- ⑦ Color: Blank-Black;BE-Beige
- ⑧ Special No.: Blank-Ordinary;C-GWFI 750℃



Poles	Dimensions (mm)		Poles	Dimensions (mm)	
	A	B		A	B
03	6.00	9.85	08	21.00	24.85
04	9.00	12.85	09	24.00	27.85
05	12.00	15.85	10	27.00	30.85
06	15.00	18.85	11	30.00	33.85
07	18.00	21.85	12	33.00	36.85

20221029	G1	EN20211029001	Add New Model "SWB"LOGO	Gu	Larry
20200318	G	EN20200318001	Update Drawing Frame	Alan qin	Robing
20170425	F		Add Material Option	Wei yu	Jacky
DATE	REV	ECN NO.	DESCRIPTION	MODIFY	APPROVAL

GENERAL TOLERANCE
.X ±0.35
.XX ±0.25
.XXX±0.15
X' ±2'
PROJECT

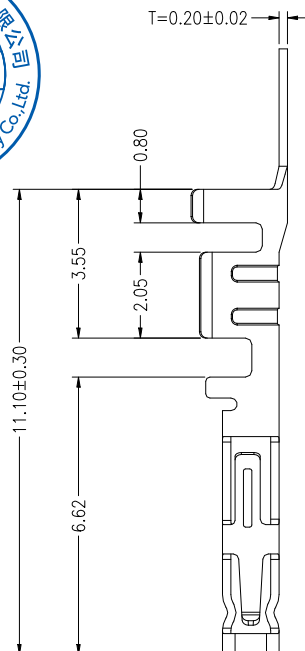
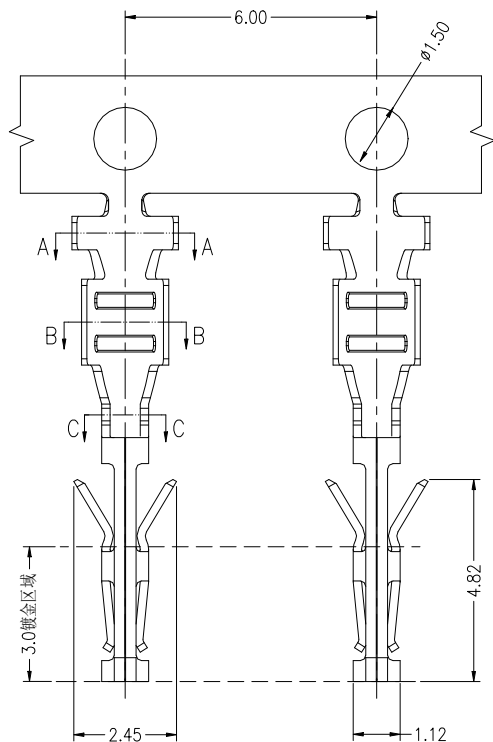
SMS 东莞市思索技术股份有限公司
Dongguan SESO Technology Co.,Ltd.

APPROVAL	CHECK	DRAWN	DATE
Robing	Alan qin	Liu Yan	2007/05/03

PART NO: 3025HM-XXX-XXXX-X				
TITLE: 3.00 mm Crimp Style Connectors				
UNIT	SCALE	SHEET	REV	NUMBER
mm	1:1	1/1	G1	CD

RoHS

This products can apply to the SESO Doc NO. QA-3-04-005 of Environmental&Material Management Rules

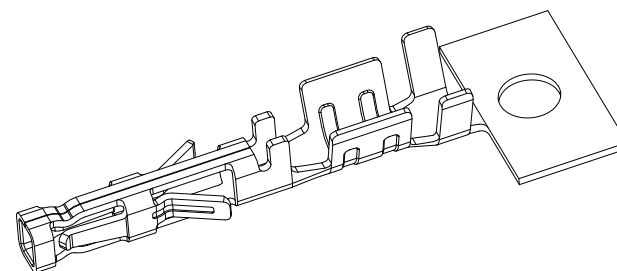
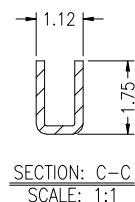
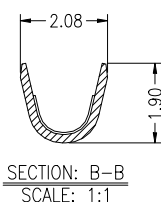
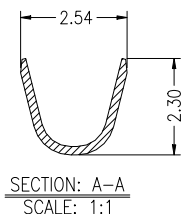
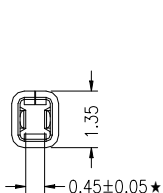


■ Specifications :

- Voltage rating: 250V AC / DC
- Current rating: 5A Max AC / DC
- Withstanding voltage: 1000V AC/minute
- Temperature range: -40°C~+105°C
- Insulation resistance: >1000M Ω
- Contact resistance: <10m Ω
- After environmental testing: <20m Ω
- Wire Range: AWG #20-22(0.50~0.35mm²)
- Insulation O.D: 1.85mm Max
- Used In SESO Housing: 3025HM
- ★Critical dimension

3025 T F-P XXX X-B
① ② ③ ④ ⑤ ⑥ ⑦

- ① Series Number
- ② Category: T-terminal
- ③ Connector type: F-Female Terminal
- ④ Material: P-Phosphor bronze
- ⑤ Plating Code:
G30- Ni 20u" Min ; Contact Area 30u" Au
G15- Ni 20u" Min ; Contact Area 15u" Au
G03- Ni 50u" Min ; Contact Area Gold Flash
G01- Ni 50u" Min ; Contact Area Gold Flash
SN- Ni: 50u" Min Bright Tin 100u" Min
- ⑥ Plating method: Blank-Stamping before plating
- ⑦ Mold No./Mark/Special No. B-B Type



20221230	F1	/	Update Drawing Add Plating	Jane	Larry
20200318	F	EN20180330002	Update Drawing Frame, The Same ECR And ECN No	Alan qin	Robing
20180330	E	EN20180330002	Chenge the drawing	Jacky	Robing
DATE	REV	ECN NO.	DESCRIPTION	MODIFY	APPROVAL

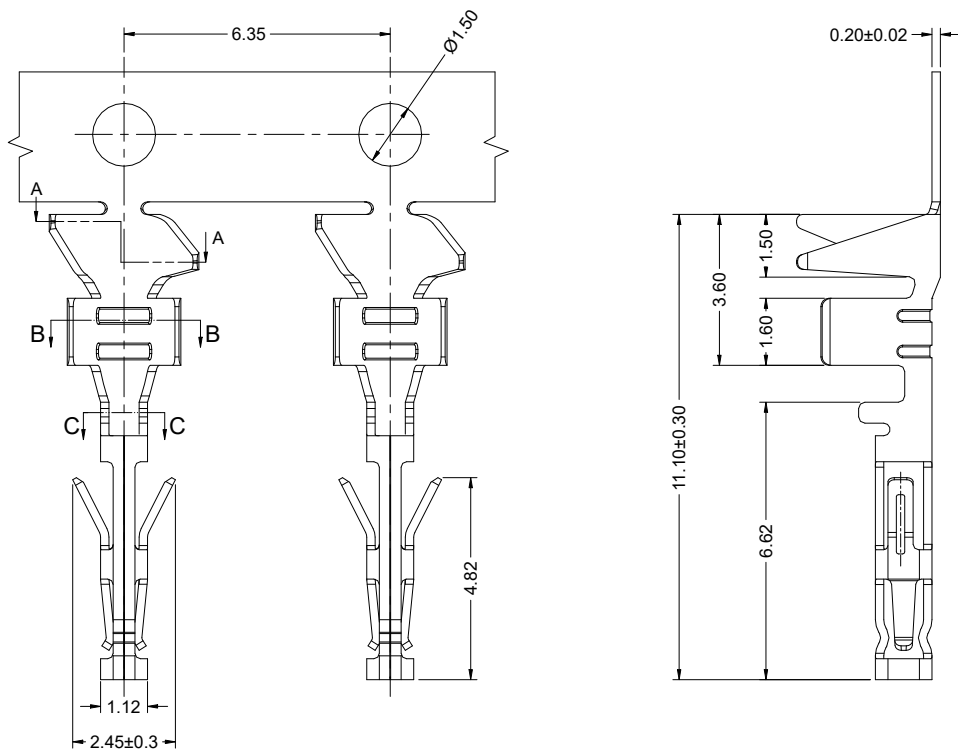
GENERAL TOLERANCE
.X ±0.35
.XX ±0.25
.XXX±0.15
X' ±2'
PROJECT

SMS 东莞市思索技术股份有限公司 Dongguan SESO Technology Co.,Ltd.			
APPROVAL	CHECK	DRAWN	DATE
Larry	Jane	sylvia	2016/07/19

PART NO: 3025TF-PXXX-B				
TITLE: 3.00mm Crimp Style Connectors				
UNIT	SCALE	SHEET	REV	NUMBER
mm	1:1	1/1	F1	CD

RoHS

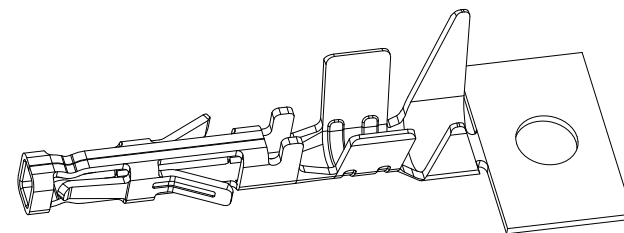
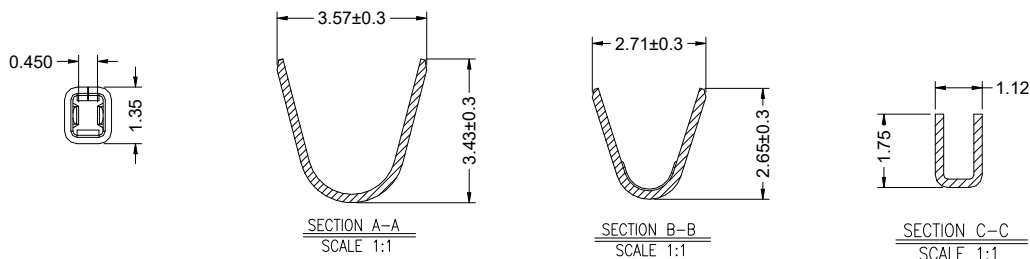
This products can apply to the SESO Doc NO. QA-3-04-005 of Environmental&Material Management Rules



- Specifications :
- Voltage rating: 250V AC / DC
 - Current rating: 5A Max AC / DC
 - Withstanding voltage: 1000V AC/minute
 - Temperature range: -40°C~+105°C
 - Insulation resistance: ≥1000MΩ
 - Contact resistance: ≤10mΩ
 - After environmental testing: ≤20mΩ
 - Wire Range: AWG #18
 - Insulation O.D: 1.90mm Max
 - Used In SWB Housing: 3025HM

3025 TH F-X SN X-B
① ② ③ ④ ⑤ ⑥ ⑦

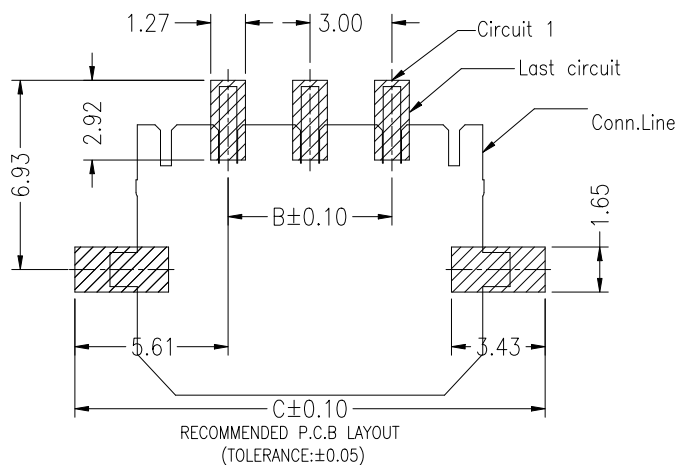
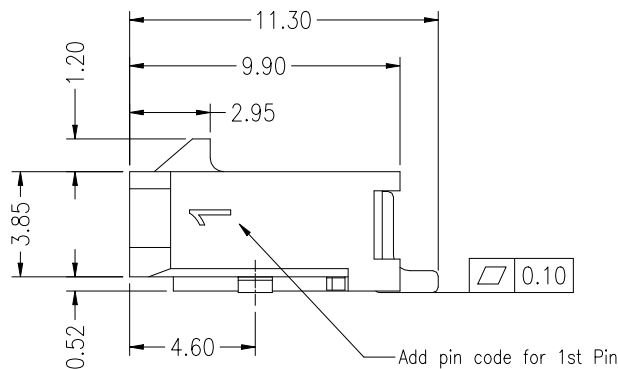
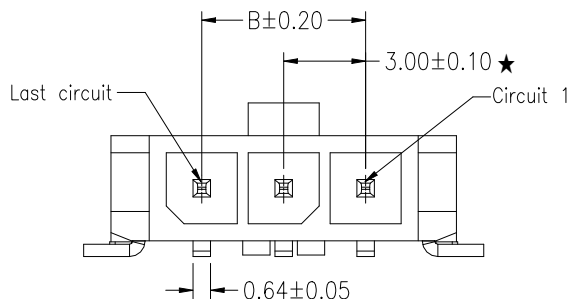
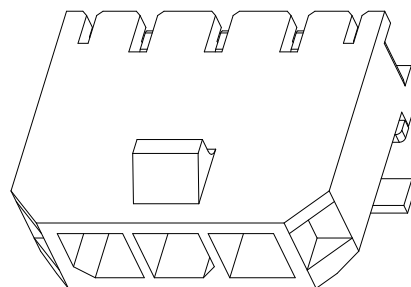
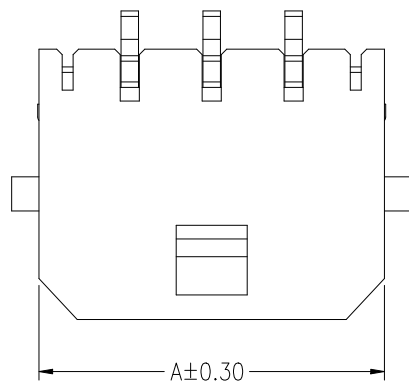
- ① Series Number
- ② Category: TH-High Crimp terminal
- ③ Shape: F-Female Terminal
- ④ Material: P-Phosphor bronze
H-High conductivity copper
- ⑤ Plating style:
SN- Ni: 50u" Min Bright Tin 100u" Min
- ⑥ Plating method:
Blank-Stamping before plating
- ⑦ Mold No./Mark/Special No. B-B Type



						<p>SMS 东莞市思索技术股份有限公司 Dongguan SESO Technology Co.,Ltd.</p>				PART NO: 3025THF-XSN-B				
						<p>APPROVAL CHECK DRAWN DATE</p>				TITLE: 3.00mm Crimp Style Connectors				
						<p>PROJECT</p>				<p>UNIT SCALE SHEET REV NUMBER</p>				
						<p>Larry Jane Alan qin 2018/08/06</p>				<p>mm 1:1 1/1 C2 CD</p>				
20220525	C1	/	ADD High conductivity copper Specification	Jane	Larry									
20200318	C	EN20180330002	Update Drawing Frame, The Same ECR And ECN No	Alan qin	Robing									
DATE	REV	ECN NO.	DESCRIPTION	MODIFY	APPROVAL									

RoHS

This products can apply to the SESO Doc NO. QA-3-04-005 of Environmental&Material Management Rules



Specifications :

- Voltage rating: 250V AC / DC
- Current rating: 5A Max AC / DC
- Withstanding voltage: 1000V AC/minute
- Temperature range: -40°C~+105°C
- Insulation resistance: ≥1000MΩ
- Contact resistance: <10mΩ
- After environmental testing: <20mΩ
- Material(Pin): Brass
- Material(Solder Tabs): Brass
- Finish(Solder Tabs): Matte Tin
- Mates With SESO Housing: 3025HM-XX
- "★"Critical dimension

3025 W R S- XX D-LP SW XX

① ②③④ ⑤ ⑥ ⑦ ⑧ ⑨

- ① Series No.
- ② Category: W-Wafer
- ③ Connector Type: R-Right Angle 90°
- ④ Mounting Type: S-SMT
- ⑤ Row No.-Pin No Per Row: XX-Single Row
- ⑥ Special NO. : D-Solder Tabs
- ⑦ Material: LP-LCP 94V-0
- ⑧ Plating Code:
SW- Ni 50u" Min ; Matte Tin 100u"Min
G15- Contact Area Au 15u" Min
Solder Area Ni 50u" Min ; Matte Tin 100u"Min
- ⑨ Color: Blank-Black Color

Poles	Dimensions(mm)		
	A	B	C
02	9.65	3.00	14.20
03	12.65	6.00	17.20
04	15.65	9.00	20.20
05	18.65	12.00	23.20
06	21.65	15.00	26.20
07	24.65	18.00	29.20
08	27.65	21.00	32.20
09	30.65	24.00	35.20
10	33.65	27.00	38.20
11	36.65	30.00	41.20
12	39.65	33.00	44.20

20240311	E2	/	Update the surface	Bless Guo	Larry Yang
20220428	E1	/	Add Conn.Line	Jane	Larry
20220415	E	EN20200415001	Add pin code for 1st Pin	Alan qin	Robing
DATE	REV	ECN NO.	DESCRIPTION	MODIFY	APPROVAL

GENERAL TOLERANCE	
.X	±0.30
.XX	±0.20
.XXX	±0.10
X.' ±2'	
PROJECT	

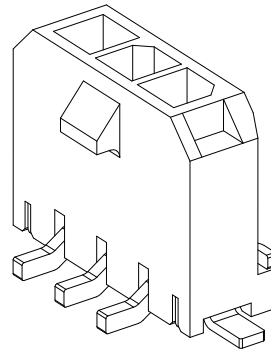
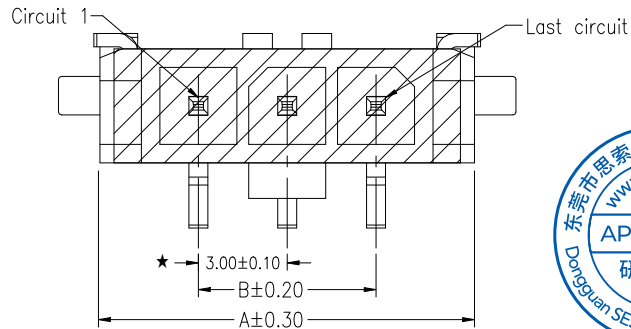
SMS 东莞市思索技术股份有限公司
Dongguan SESO Technology Co.,Ltd.

APPROVAL	CHECK	DRAWN	DATE
Jack Zhang	Larry Yang	Bless Guo	2007/05/03

PART NO.				
3025WRS-XXD-LPXXX				
TITLE				
3.00 mm Crimp Style Connectors				
UNIT	SCALE	SHEET	REV	NUMBER
mm	1:1	1/1	E2	CD

RoHS

This products can apply to the SESO Doc NO. QA-3-04-005 of Environmental&Material Management Rules

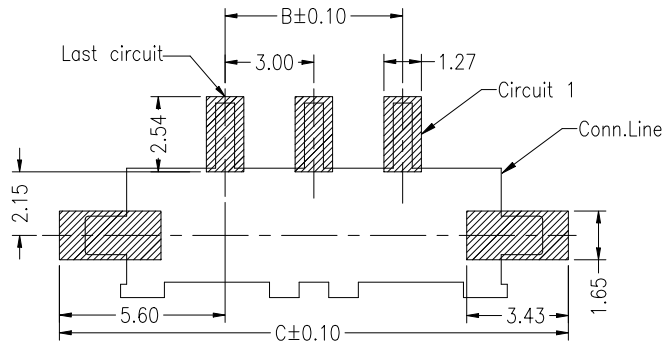
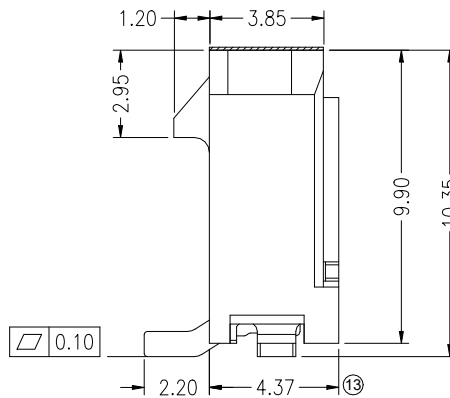
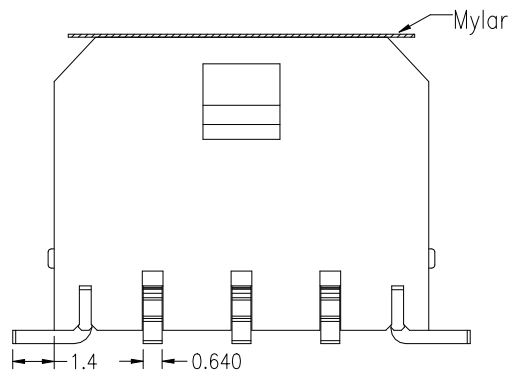


Specifications :

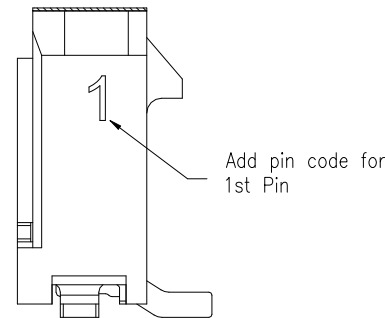
- Voltage rating: 250V AC / DC
- Current rating: 5A Max AC / DC
- Withstanding voltage: 1000V AC/minute
- Temperature range: -40°C~+105°C
- Insulation resistance: ≥1000MΩ
- Contact resistance: <10mΩ
- After environmental testing: <20mΩ
- Material(Pin&Solder Tabs):Brass
- Finish(Solder Tabs):Matte Tin Plating
- Mates With SESO Housing:3025HM-XX
- "★"Critical dimension

3025 W V S- XX D-LP XX X W
① ② ③ ④ ⑤ ⑥ ⑦ ⑧ ⑨ ⑩

- ① Series No.
- ② Category: W-Wafer
- ③ Connector Type: V-180°
- ④ Mounting Type: S-SMT
- ⑤ Row No.-Pin No Per Row: XX-Single Row
- ⑥ Special No.: D-Solder Tabs
- ⑦ Material:LP-LCP 94V-0
- ⑧ Plating Code:
SW- Matte Tin
G30-Contact Area Au 30u" Min;
- ⑨ Color:Blank-Black
- ⑩ Packing: W-Mylar+Reel



Recommended P.C.B Layout
General Tolerance±0.05



Poles	Dimensions(mm)		
	A	B	C
02	9.65	3.00	14.20
03	12.65	6.00	17.20
04	15.65	9.00	20.20
05	18.65	12.00	23.20
06	21.65	15.00	26.20
07	24.65	18.00	29.20
08	27.65	21.00	32.20
09	30.65	24.00	35.20
10	33.65	27.00	38.20
11	36.65	30.00	41.20
12	39.65	33.00	44.20

2024/03/12	B2	/	Update the surface	Bless Guo	Larry Yang
2022/04/28	B1	/	Add Conn.Line	Jane	Larry
2020/04/15	B	EN20200415001	Add pin code for 1st Pin	Alan qin	Robing
DATE	REV	ECN NO.	DESCRIPTION	MODIFY	APPROVAL

GENERAL TOLERANCE	
.X	±0.30
.XX	±0.20
.XXX	±0.10
X.' ±2'	
PROJECT	

SMS 东莞市思索技术股份有限公司
Dongguan SESO Technology Co.,Ltd.

APPROVAL	CHECK	DRAWN	DATE
Jack Zhang	Larry Yang	Bless Guo	2019/02/20

PART NO. 3025WVS-XXD-LPXXXW				
TITLE 3.00mm Crimp Style Connectors				
UNIT	SCALE	SHEET	REV	NUMBER
mm	1:1	1/1	B2	CD