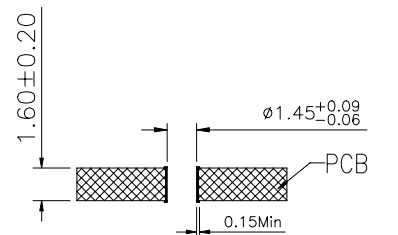
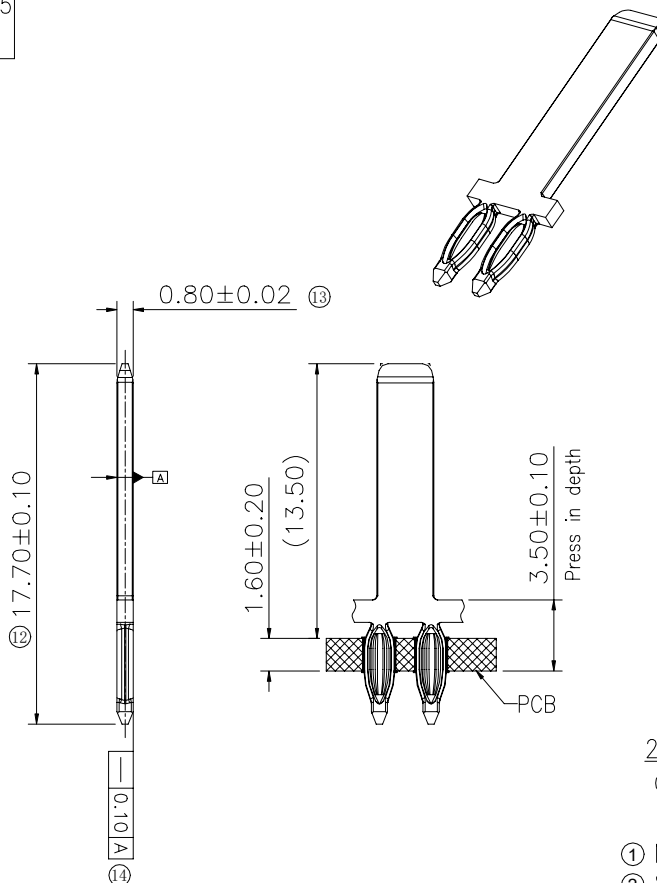
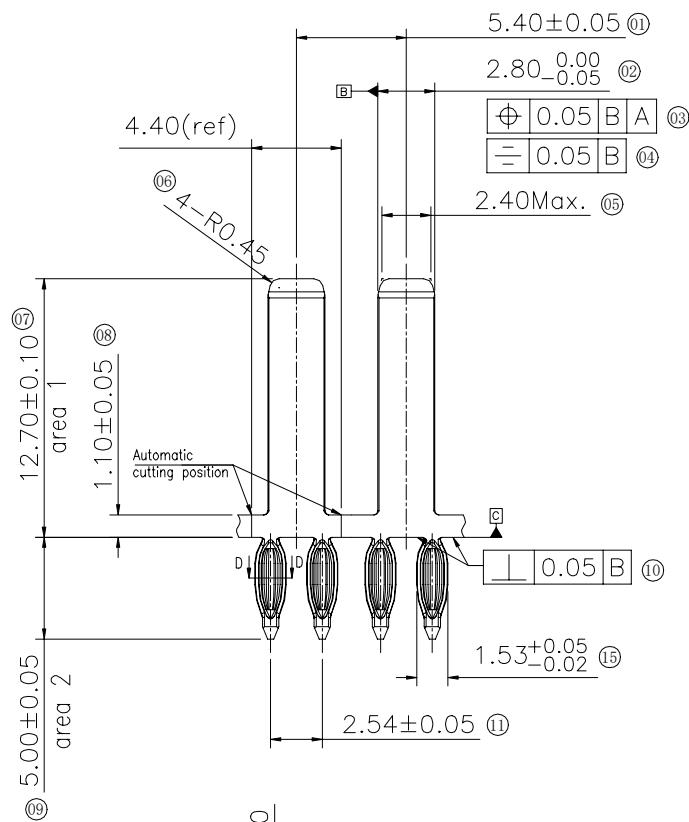


RoHS

This products can apply to the SESO Doc NO. QA-3-04-005 of Environmental&Material Management Rules



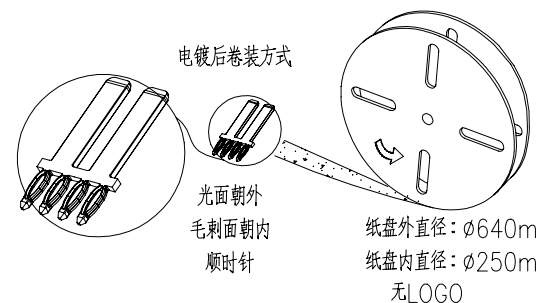
APPLICABLE P.C.B LAYOUT(REF.)
P.C.B THICKNESS t=1.6mm

Specifications :

- Current rating: 24A AC/DC
 - Withstanding voltage: 500V AC/minute
 - Temperature range: -40°C~+125°C
 - Insulation resistance: ≥1000MΩ
 - Contact resistance: ≤20mΩ
 - After environmental testing: <40mΩ
 - Material(Pin): High Conductivity Copper
 - Symbols for SPC dimensions: "★"
 - Product Specification: PS-XXXX-11
 - Packaging: 40Kpcs/REEL
- (Outer diameter of paper plate: φ640mm
Inside diameter of paper plate: φ250mm)

280 080 - 500 * 1270 - VQ - H SR1
① ② ③ ④ ⑤ ⑥ ⑦

- ① Material Width : 280-2.80mm
- ② Special No.: 080-Thickness 0.80mm
- ③ Special No.: 500-length 5.0mm
- ④ Special No.: 1270-length 12.70mm
- ⑤ Connector Type: VQ-180°
- ⑥ Plastic Material: H-High Conductivity Copper
- ⑦ Plating Code:
SR1-area1 100u"MIN(2.5um)Ni,40~120u"(1~3um)Tin
area2 100u"MIN(2.5um)Ni,20~40u"(0.5~1um)Tin



					GENERAL TOLERANCE				PART NO.				
					.X ±0.35				280080-500*1270-VQ-HSR1				
					.XX ±0.25				TITLE:				
					.XXX±0.15				2.8x0.8 PIN Header connectors				
					X.' ±2'				UNIT SCALE SHEET REV NUMBER				
					PROJECT				mm 1:1 1/1 A1 A-000				
					APPROVAL				DATE				
2024.2.26	A1	/	Change plating specification	Eric Xue	Jack Zhang	APPROVAL	CHECK	DRAWN	DATE				
DATE	REV	ECN NO.	DESCRIPTION	MODIFY	APPROVAL	Jack Zhang	Larry Yang	Eric Xue	2023/05/22				

SMS 东莞市思索技术股份有限公司
Dongguan SESO Technology Co.,Ltd.