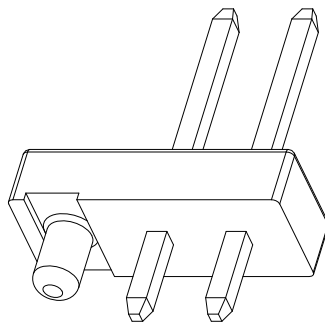
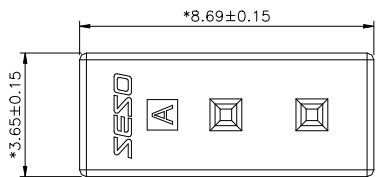
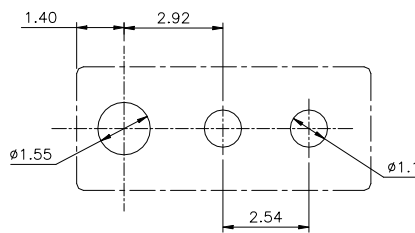
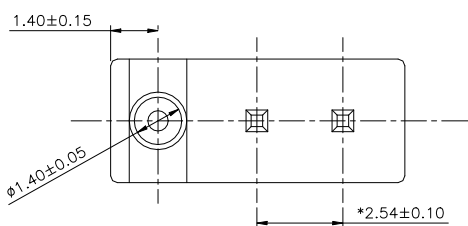
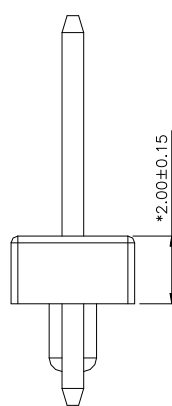
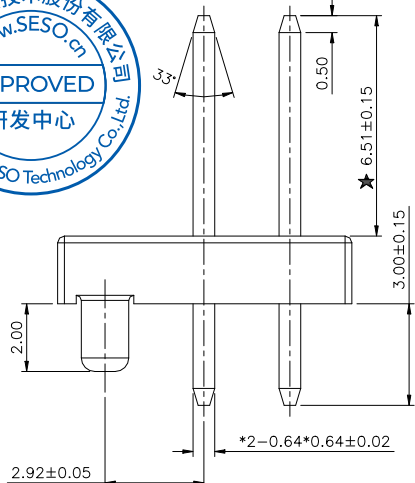
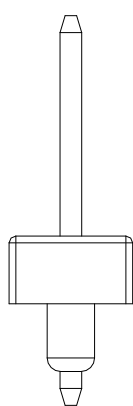


RoHS

This products can apply to the SESO Doc NO. QA-3-04-005 of Environmental&Material Management Rules



- Specifications :
- Voltage rating: 250V Max. AC/DC
  - Current rating: 3A Max. AC/DC
  - Withstanding voltage: 500V AC/minute
  - Temperature range: -40°C~+105°C
  - Insulation resistance: ≥1000MΩ
  - Contact resistance: <10mΩ
  - After environmental testing: <25mΩ
  - Material(Pin):Phosphorous copper
  - Mates With SESO Housing:2570
  - Symbols for SPC dimensions:” ★ ”
  - Product Specification: PS-2570-01



Recommended P.C.B Layout(T=1.6mm)  
(TOLERANCE:±0.05)

2570 W V -02 P -NO SW1 B G-Q  
① ② ③ ④ ⑤ ⑥ ⑦ ⑧ ⑨ ⑩

- ① Series No.:2570
- ② Category:W-Wafer
- ③ Connector Type:V= Straight 180”
- ④ Row No.-Pin No.:02-Single Row-02Pin
- ⑤ Special No.: P-with post
- ⑥ Plastic Material:NO-PA66 (UL94V-0)
- ⑦ Planting Code:SW1-Matte Tin  
Underplate:Ni 50~100u”(1.25~2.5um) overall  
Top Plating:Mist tin 100~180u”(2.5~4.5um) overall
- ⑧ Color:B-Black
- ⑨ Packing:G-Tube Mounting
- ⑩ Types of cars:Q-Automobile category

2023/05/08	A0	/	Initial release	Yuan Zhou	Larry Yang
DATE	REV	ECN NO.	DESCRIPTION	MODIFY	APPROVAL

GENERAL TOLERANCE	.X ±0.35
	.XX ±0.25
	.XXX±0.15
	.X.* ±2*
PROJECT	

**SMS** 东莞市思索技术股份有限公司  
Dongguan SESO Technology Co.,Ltd.

APPROVAL	CHECK	DRAWN	DATE
Jack Zhang	Larry Yang	Yuan Zhou	2023/05/08

PART NO. 2570WV-02P-NOSW1BG-Q-Y				
TITLE 2.54mm Pin Header connectors				
UNIT	SCALE	SHEET	REV	NUMBER
mm	1:1	1/1	A0	CD