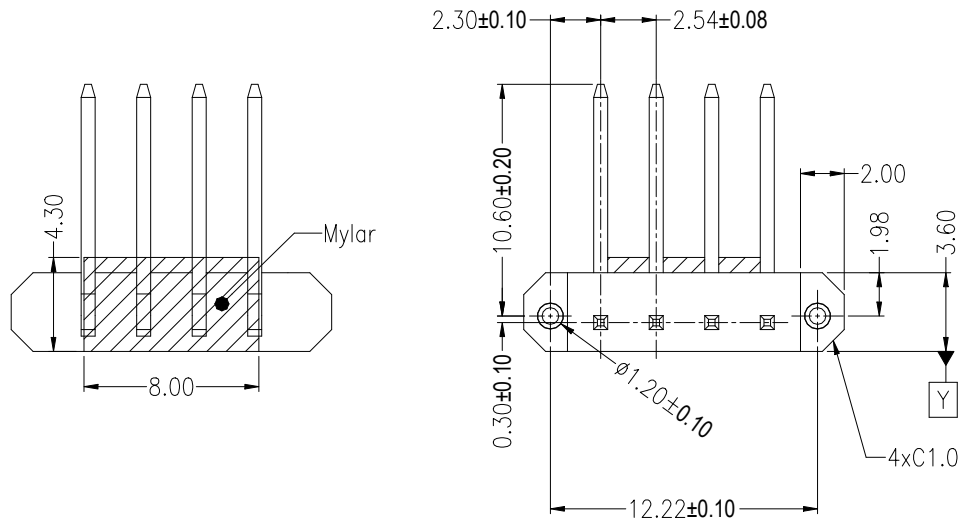


RoHS

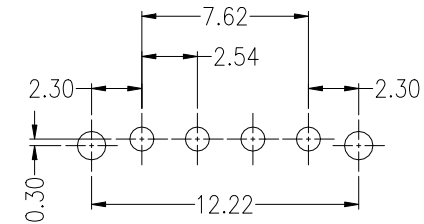
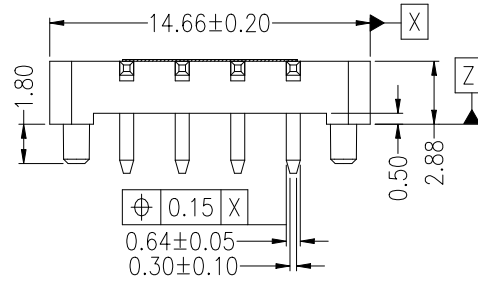
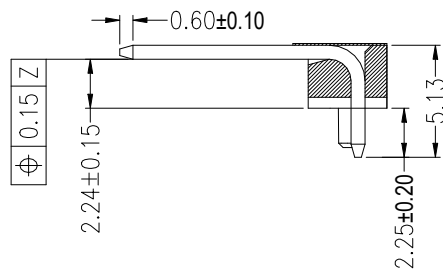
This products can apply to the SESO Doc NO. QA-3-04-005 of Environmental&Material Management Rules



- Specifications :
- Voltage rating: 250V AC / DC
 - Current rating: 5A AC / DC
 - Withstanding voltage: 1000V AC/minute
 - Temperature range: -40°C~+105°C
 - Insulation resistance: ≥1000MΩ
 - Contact resistance: <20mΩ
 - Material(Pin):Brass
 - Must Meet Kechenda drawing Specification

2544 W R X-04 P -LP SW1 B X-04
 ① ② ③ ④ ⑤ ⑥ ⑦ ⑧ ⑨ ⑩ ⑪

- ① Series No.
- ② Category: W-Wafer
- ③ Welding Board Angle: R-Right Angle 90°
- ④ Welding Way: Blank-DIP
- ⑤ Row No.-Pin No.: XX-04P
- ⑥ Plug the Pin & Special No.P-With Post
- ⑦ Material: LP -LCP 94V-0
- ⑧ Plating Code: SW1-Matte Tin Plating
- ⑨ Color : B-Black
- ⑩ Packing: R-Reel Without Mylar; W-Reel With Mylar
- ⑪ 04-10.60/3.60/2.25



Recommended P.C.B Layout(Top Side)
 General Tolerance±0.05

2024/02/21	A4	/	Update the surface	Bless Guo	Larry Yang
2022/08/24	A3	/	Change the Mylar size	Alan qin	Larry Yang
2022/08/17	A2	/	Add Mylar specifications	Alan qin	Larry Yang
DATE	REV	ECN NO.	DESCRIPTION	MODIFY	APPROVAL

GENERAL TOLERANCE	
.X	±0.30
.XX	±0.20
.XXX	±0.15
X.'	±2'
PROJECT	

SMS 东莞市思索技术股份有限公司
 Dongguan SESO Technology Co.,Ltd.

APPROVAL	CHECK	DRAWN	DATE
Jack Zhang	Larry Yang	Bless Guo	2021/9/18

PART NO. 2544WR-04P-LPSW1BX-04				
TITLE 2.54 mm Crimp Style Connectors				
UNIT	SCALE	SHEET	REV	NUMBER
mm	1:1	1/1	A4	CD

RoHS

This products can apply to the SESO Doc NO. QA-3-04-005 of Environmental&Material Management Rules

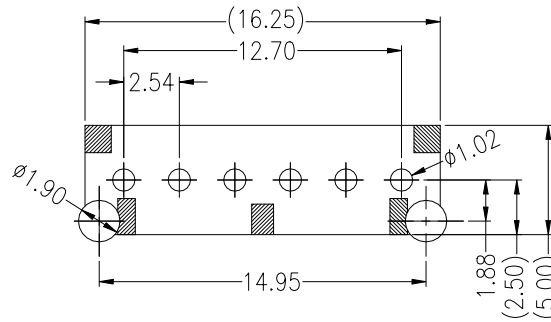
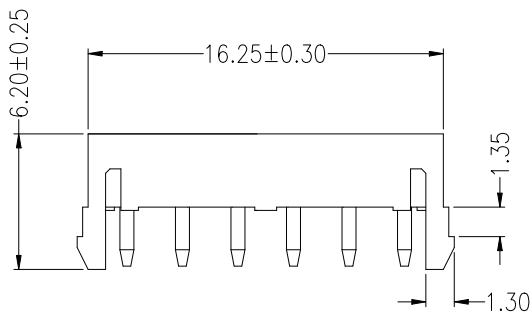
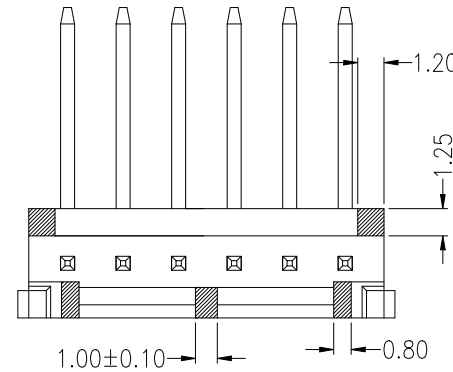
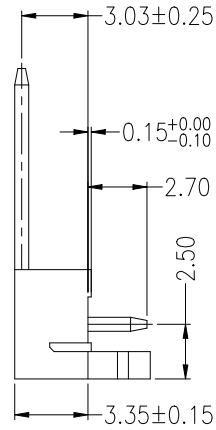
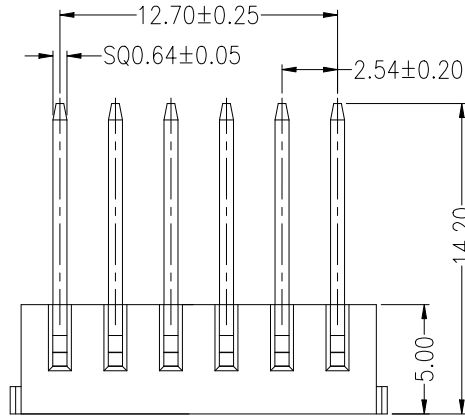
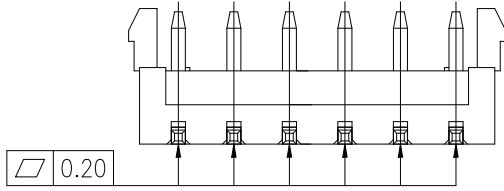


■ Specifications :

- Voltage rating: 250V AC / DC
- Current rating: 3A AC / DC
- Withstanding voltage: 1000V AC/minute
- Temperature range: -40°C~+105°C
- Insulation resistance: ≥1000MΩ
- Contact resistance: ≤20mΩ
- Material(Pin):Brass

2544 W R X-06 P X -LP SW1 B X
 ① ② ③ ④ ⑤ ⑥ ⑦ ⑧ ⑨ ⑩ ⑪

- ① Series No.
- ② Category: W-Wafer
- ③ Welding Board Angle: R-Right Angle 90°
- ④ Welding Way: Blank-DIP
- ⑤ Row No.-Pin No.: 06-06P
- ⑥ Plug the Pin & Special No.: P-With Post
- ⑦ Plastic height: Blank-H=3.35mm.
- ⑧ Material: LP-LCP 94V-0
- ⑨ Plating Code: SW1-Matte Tin Plating
- ⑩ Color : B-Black
- ⑪ Packing: R-Reel(Natural);R1-Reel(Blank);



6Pin Recommended P.C.B Layout(Top Side)
 General Tolerance±0.05

					GENERAL TOLERANCE .X ±0.30 .XX ±0.20 .XXX±0.15 X.' ±2' PROJECT 				SMS 东莞市思索技术股份有限公司 Dongguan SESO Technology Co.,Ltd.				PART NO. 2544WR-06P-LPSW1BX											
					APPROVAL Jack Zhang				CHECK Larry Yang				DRAWN Bless Guo				DATE 2021/12/09							
Update the surface Bless Guo Larry Yang									TITLE 2.54 mm Crimp Style Connectors															
DATE 20240221					REV A1				ECN NO. /				DESCRIPTION Update the surface				MODIFY Bless Guo				APPROVAL Larry Yang			
					UNIT mm				SCALE 1:1				SHEET 1/1				REV A1				NUMBER CD			