

RoHS

This products can apply to the SWB Doc NO. QA-3-04-005 of Environmental&Material Management Rules

Specifications :

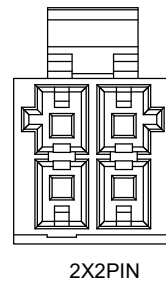
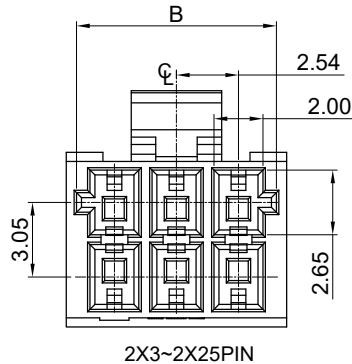
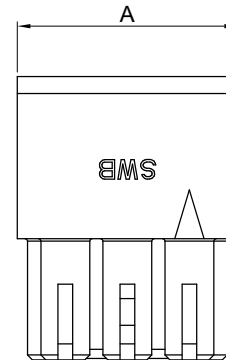
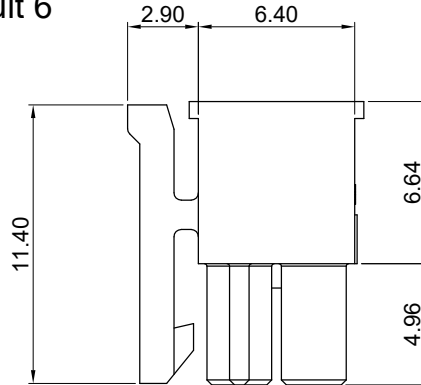
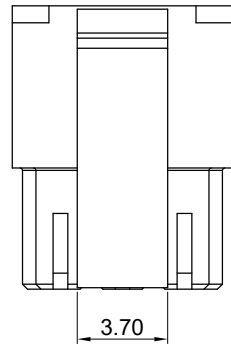
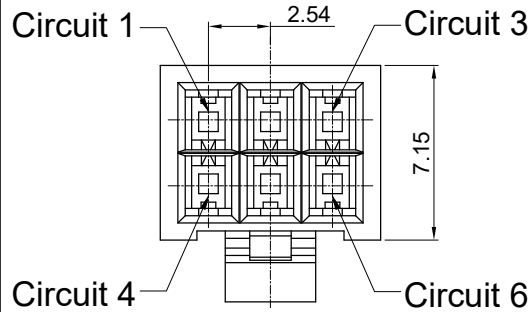
- Current rating: 3A Max. AC / DC
- Withstanding voltage: 1000V AC/minute
- Temperature range: -40°C~+125°C
- Insulation resistance: ≥1000MΩ
- Contact resistance: ≤20mΩ
- After environmental testing: ≤40mΩ
- Material(Pin): Barss
- Mates With SWB Housing: 2543T

2543 H M - 2\*XX N0 HF BK  
 ① ② ③ ④ ⑤ ⑥ ⑦

- ① Series No.
- ② Category: H-Housing
- ③ Connector Type: M-Male HGS
- ④ Row No.-Pin No: 2\*XX-Double Row 02-25Pin
- ⑤ Plastic material: N0- PA66 UL94V-0
- ⑥ HF-Halogen Free
- ⑦ Color: BK-Black color

F  
E  
D  
C  
B  
A

F  
E  
D  
C  
B  
A



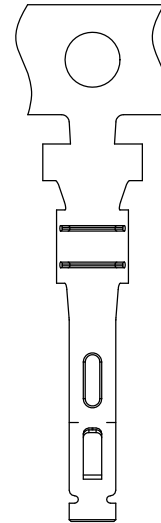
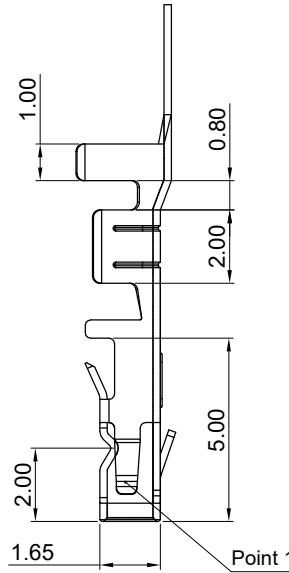
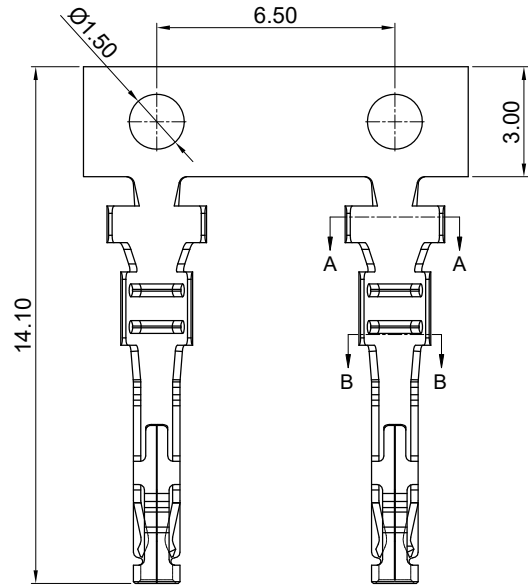
Poles	Dimensions (mm)		Poles	Dimensions (mm)	
	A	B		A	B
2X2	6.48	5.64	2X14	36.96	36.12
2X3	9.02	8.18	2X15	39.50	38.66
2X4	11.56	10.72	2X16	42.04	41.20
2X5	14.10	13.26	2X17	44.58	43.74
2X6	16.64	15.80	2X18	47.12	46.28
2X7	19.18	18.34	2X19	49.66	48.82
2X8	21.72	20.88	2X20	52.20	51.36
2X9	24.26	23.42	2X21	54.74	53.90
2X10	26.80	25.96	2X22	57.28	56.44
2X11	29.34	28.50	2X23	59.82	59.98
2X12	31.88	31.04	2X24	62.36	61.52
2X13	34.42	33.58	2X25	64.90	64.06

					GENERAL TOLERANCE .X ±0.35 .XX ±0.25 .XXX ±0.15 X.° ±2°				东莞市思索连接器有限公司 SWB CONNECTORS CO.,LTD				PART NO. 2543HM-2*XX-N0HFBK																																														
					APPROVAL ROBING				CHECK ROBING				DRAWN BIN				DATE 2021/07/02																																										
DATE					REV					ECN NO					DESCRIPTION					MODIFY					APPROVAL					PROJECT					UNIT					SCALE					SHEET					REV					NUMBER				
1					2					3					4					5					6					7					8																								

1 2 3 4 5 6 7 8

RoHS

This products can apply to the SWB Doc NO. QA-3-04-005 of Environmental&Material Management Rules



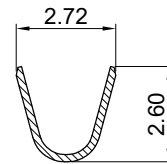
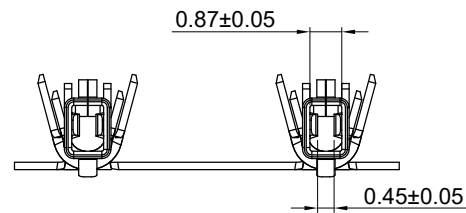
■ Specifications :

- Current rating: 3A Max. AC / DC
- Withstanding voltage: 1000V AC/minute
- Temperature range: -40°C~+125°C
- Insulation resistance: ≥1000MΩ
- Contact resistance: ≤20mΩ
- After environmental testing: ≤40mΩ
- Material(Pin): Phosphor Bronze
- Wire Size: AWG #20~22
- Insulation O.D.: 1.55mm (Max)
- Mates With SWB Housing: 2543H

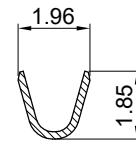
2543 T F - P SN1

- ① ② ③ ④ ⑤

- ① Series No.
- ② Category: T-terminal
- ③ Shape: F-Female Terminal
- ④ Material: P-Phosphor Bronze
- ⑤ Plating Code: SN1- Tin plating 100u" Min. overall Nickel 50u" Min. Under plating (Point 1)



SECTION A-A



SECTION B-B



					<p>GENERAL TOLERANCE</p> <p>.X ±0.35</p> <p>.XX ±0.25</p> <p>.XXX ±0.15</p> <p>X.° ±2°</p>				<p>东莞市思索连接器有限公司</p> <p>SWB CONNECTORS CO.,LTD</p>				<p>PART NO.</p> <p>2543TF-PSN1</p>																
					<p>PROJECT</p> <p>ROBING</p>				<p>APPROVAL</p> <p>ROBING</p>				<p>CHECK</p> <p>ROBING</p>				<p>DRAWN</p> <p>BIN</p>				<p>DATE</p> <p>2021/07/02</p>				<p>TITLE</p> <p>2.54mm Crimp Style Connectors</p>				
DATE	REV	ECN NO	DESCRIPTION	MODIFY	APPROVAL									UNIT	SCALE	SHEET	REV	NUMBER											
1														mm	5:1	1/1	A0	A-XXX											

RoHS

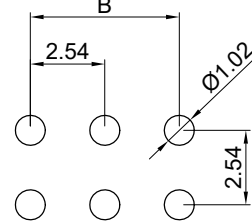
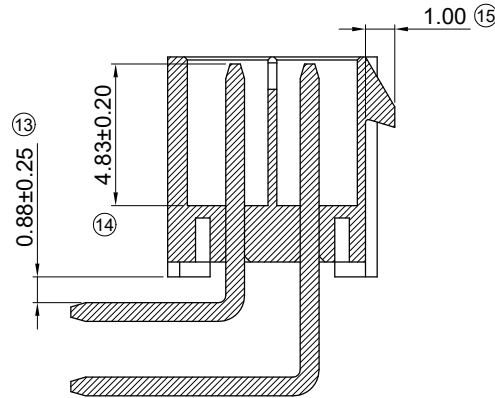
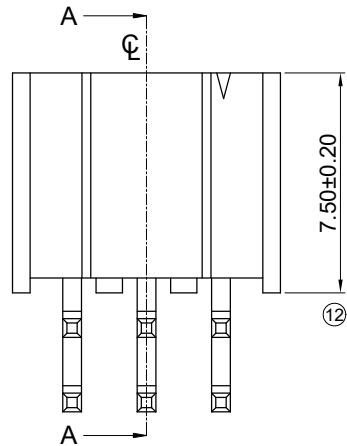
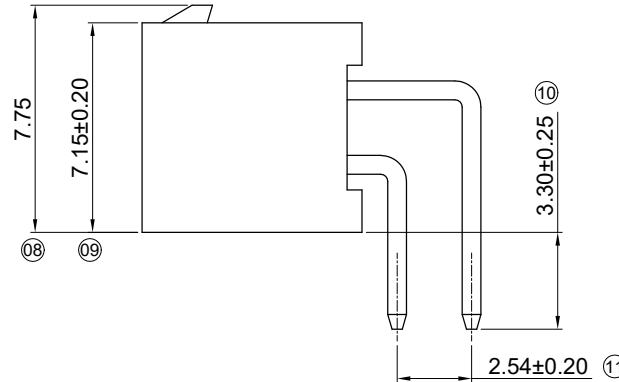
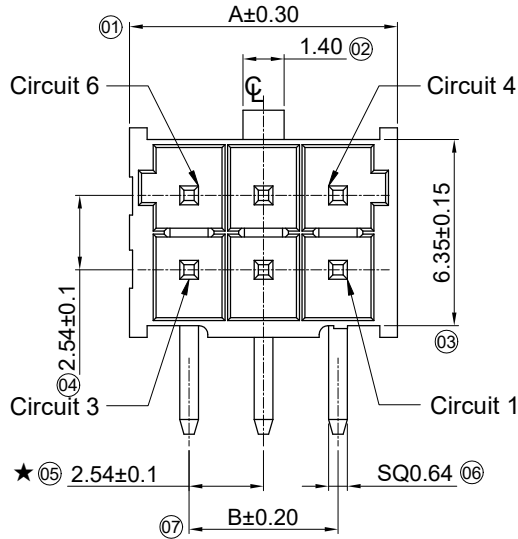
This products can apply to the SWB Doc NO. QA-3-04-005 of Environmental&Material Management Rules

Specifications :

- Current rating: 3A Max. AC / DC
- Withstanding voltage: 1000V AC/minute
- Temperature range: -40°C~+125°C
- Insulation resistance: ≥1000MΩ
- Contact resistance: ≤20mΩ
- After environmental testing: ≤40mΩ
- Material(Pin): Barss
- Mates With SWB Housing: 2543H
- "★"Represents special characteristics

2543 W R - 2\*XX - LP XXX B X  
 ① ② ③ ④ ⑤ ⑥ ⑦ ⑧

- ① Series No.
- ② Category: W-wafer
- ③ Connector Type: R-Right Angle 90°
- ④ Row No.-Pin No: 2\*XX-Double Row 02-25Pin
- ⑤ Plastic material: LP- LCP UL94V-0
- ⑥ Plating Code:  
 SW1-Matte Tin plating 100u" Min. overall,  
 Ni50u" Min. under plating.
- ⑦ Color: B-Black color
- ⑧ Packing: G-Tube ;T-Tary



Recommended PCB Layout  
 (General Tolerance: ±0.05)

Poles	Dimensions (mm)		Poles	Dimensions (mm)	
	A	B		A	B
2X2	6.60	2.54	2X14	37.08	33.02
2X3	9.14	5.08	2X15	39.62	35.56
2X4	11.68	7.62	2X16	42.16	38.10
2X5	14.22	10.16	2X17	44.70	40.64
2X6	16.76	12.70	2X18	47.24	43.18
2X7	19.30	15.24	2X19	49.78	45.72
2X8	21.84	17.78	2X20	52.32	48.26
2X9	24.38	20.32	2X21	54.86	50.80
2X10	26.92	22.86	2X22	57.40	53.34
2X11	29.46	25.40	2X23	59.94	55.88
2X12	32.00	27.94	2X24	62.48	58.42
2X13	34.54	30.48	2X25	65.02	60.96

					GENERAL TOLERANCE .X ±0.35 .XX ±0.25 .XXX ±0.15 X.° ±2°				东莞市思索连接器有限公司 SWB CONNECTORS CO.,LTD				PART NO. 2543WR-2*XX-LPXXXBX								
					PROJECT ROBING				APPROVAL ROBING				DRAWN Larry				DATE 2021/07/02				
DATE	REV	ECN NO	DESCRIPTION	MODIFY	APPROVAL						TITLE 2.54mm Crimp Style Connectors										
												UNIT	SCALE	SHEET	REV	NUMBER					
												mm	4:1	1/1	A0	A-XXX					

RoHS

This products can apply to the SWB Doc NO. QA-3-04-005 of Environmental&Material Management Rules

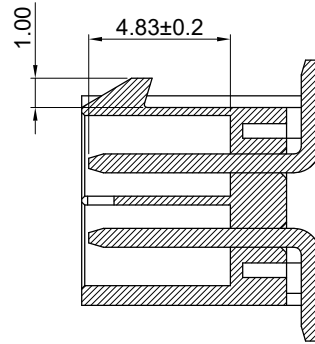
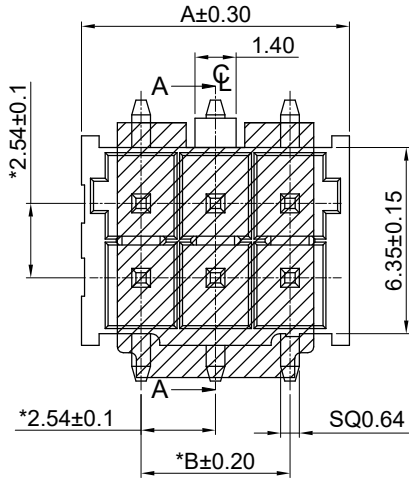
Specifications :

- Current rating: 3A Max. AC / DC
- Withstanding voltage: 1000V AC/minute
- Temperature range: -40°C~+125°C
- Insulation resistance: ≥1000MΩ
- Contact resistance: ≤20mΩ
- After environmental testing: ≤40mΩ
- Material(Pin): Barss
- Mates With SWB Housing: 2543H

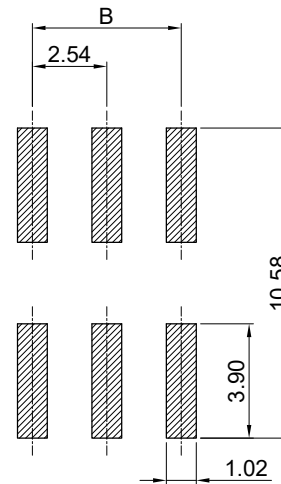
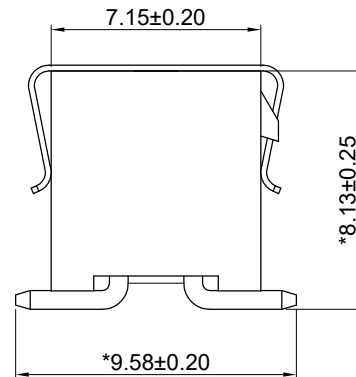
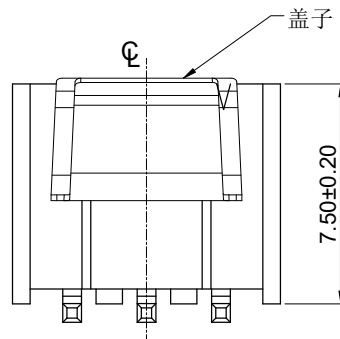
2543 W V S - 2\*XX - LP XXX B C  
 ① ② ③ ④ ⑤ ⑥ ⑦ ⑧ ⑨

- ① Series No.
- ② Category: W-wafer
- ③ Connector Type: V-Straight 180°
- ④ Mouting Type: S-SMT
- ⑤ Row No.-Pin No: 2\*XX-Double Row 02-25Pin
- ⑥ Plastic material: LP- LCP UL94V-0
- ⑦ Plating Code:  
SW1-Matte Tin plating 100u" Min. overall,  
Ni50u" Min. under plating.
- ⑧ Color: B-Black color
- ⑨ Packing: C-Carrier tape (with CAP)

Poles	Dimensions (mm)		Poles	Dimensions (mm)	
	A	B		A	B
2X2	6.60	2.54	2X14	37.08	33.02
2X3	9.14	5.08	2X15	39.62	35.56
2X4	11.68	7.62	2X16	42.16	38.10
2X5	14.22	10.16	2X17	44.70	40.64
2X6	16.76	12.70	2X18	47.24	43.18
2X7	19.30	15.24	2X19	49.78	45.72
2X8	21.84	17.78	2X20	52.32	48.26
2X9	24.38	20.32	2X21	54.86	50.80
2X10	26.92	22.86	2X22	57.40	53.34
2X11	29.46	25.40	2X23	59.94	55.88
2X12	32.00	27.94	2X24	62.48	58.42
2X13	34.54	30.48	2X25	65.02	60.96



SECTION A-A



Recommended PCB Layout  
(General Tolerance: ±0.05)



					GENERAL TOLERANCE .X ±0.35 .XX ±0.25 .XXX ±0.15 X.° ±2°				东莞市思索连接器有限公司 SWB CONNECTORS CO.,LTD				PART NO. 2543WVS-2*XX-LPXXXBC								
					APPROVAL ROBING				CHECK ROBING				DRAWN BIN				DATE 2021/07/02				
PROJECT 															TITLE 2.54mm Crimp Style Connectors						
DATE	REV	ECN NO	DESCRIPTION	MODIFY	APPROVAL						UNIT	SCALE	SHEET	REV	NUMBER						
1		2	3	4	5						mm	4:1	1/1	A0	A-XXX						