

RoHS

This products can apply to the SWB Doc NO. QA-3-04-005 of Environmental&Material Management Rules

RD-1

Poles	Dimensions/mm		
	A	B	C
2	2.50	5.50	4.10
3	5.00	8.00	6.60
4	7.50	10.50	9.10
5	10.00	13.00	11.60
6	12.50	15.50	14.10
7	15.00	18.00	16.60
8	17.50	20.50	19.10
9	20.00	23.00	21.60
10	22.50	25.50	24.10
11	25.00	28.00	26.60
12	27.50	30.50	29.10
13	30.00	33.00	31.60
14	32.50	35.50	34.10
15	35.00	38.00	36.60

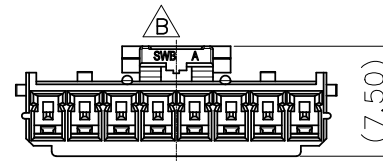
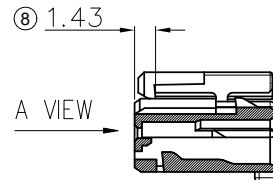
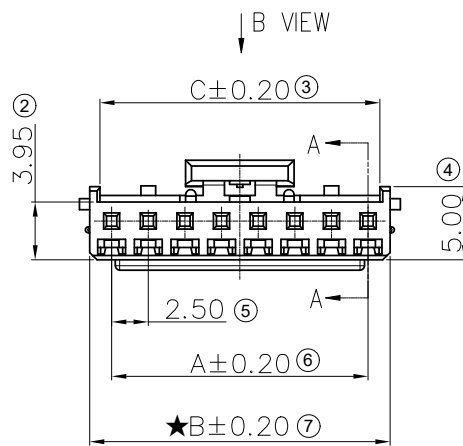
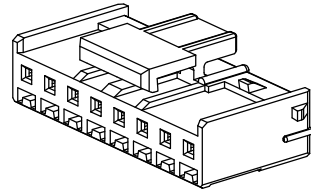
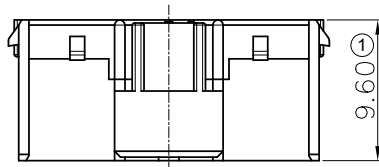
Specifications

- Voltage Rating: 50V AC/DC
- Withstanding Voltage: 1000V AC/Minute
- Temperature Range: -40°C~+125°C
- Insulation Resistance: 100MΩ Min./500V DC/Minute
- Mates With SWB Terminal: 2512TX-XXX
- Mates With SWB TPA: C2512-XX
- Mates With SWB Wafer: 2512WX-XX
- Product Specification: PS-2512-01 or PS-2512-02
- Packaging Drawing: PK-2512H-XX-NOHFC
- Symbols for SPC Dimensions: ★

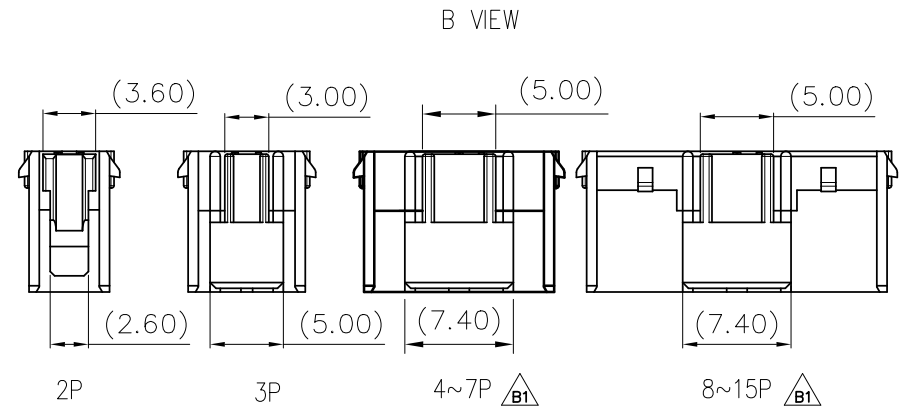
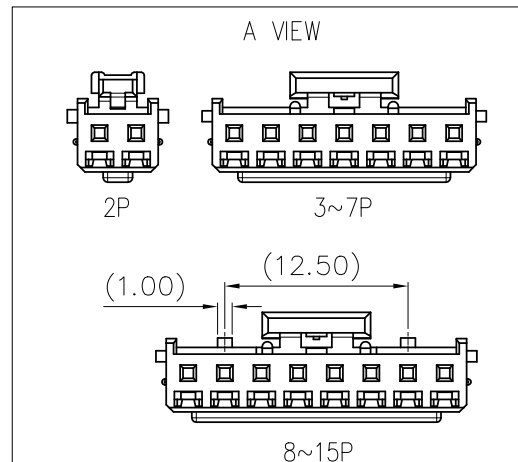
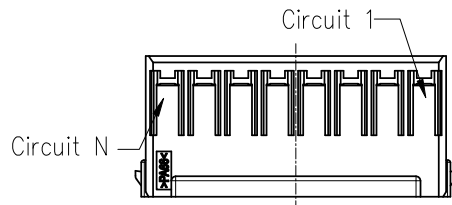


2512 H -XX -NOHF NC
 ① ② ③ ④ ⑤

- ① Series No.: 2512
- ② Connector Type: H-Housing
- ③ Row No.-Pin No: XX-Single Row 02~15Pin
- ④ Plastic Material: NO-PA66 (UL94-V0)
HF-Halogen Free
- ⑤ Color: NC-Natural



SECTION A-A

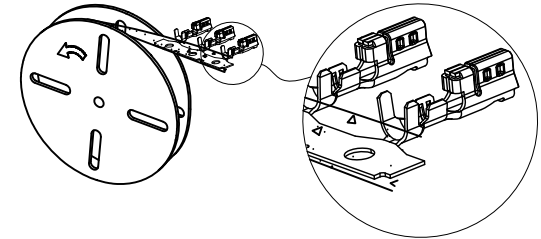
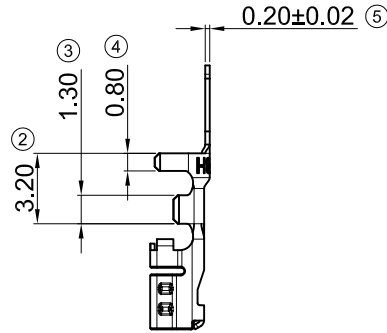
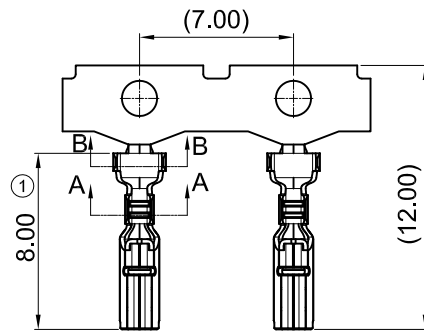


A	20221116	B1	/	Correct incorrect expressions	Sylvia	Larry	东莞市思索连接器有限公司 SWB CONNECTORS CO.,LTD				PART NO. 2512H-XX-NOHFC				
	20210122	B	ER120210122005	Modify the SWB Logo	Cai Zhao	John Yang					TITLE 2.50 WTB CONN. Housing				
	20200218	A	/	Initial release	Cai Zhao	John Yang	APPROVAL	CHECK	DRAWN	DATE	UNIT	SCALE	SHEET	REV	NUMBER
	DATE	REV	ECN NO.	DESCRIPTION	MODIFY	APPROVAL	PROJECT	Jason Huang	John Yang	Cai Zhao	2020/02/18	mm	2:1	1/1	B1

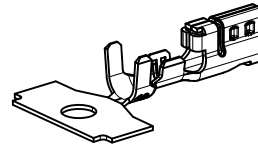
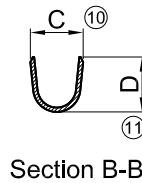
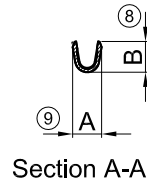
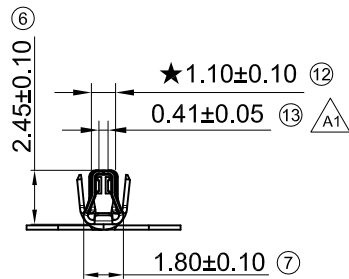
RoHS

This products can apply to the SWB Doc. NO. QA-3-04-005 of Environmental&Material Management Rules

RD-1



- Specifications:
- Current Rating: 2.5A AC/DC(0.22mm² Wire)
3A AC/DC(0.35mm² Wire)
3.5A AC/DC(0.5mm² Wire)
 - Temperature Range: -40°C~+125°C
 - Contact Resistance: ≤10mΩ(Initial)
≤20mΩ(After Testing)
 - Mates With SWB Housing:2512H-XX
 - Packaging Drawing:PK-2512TX-XXX
 - Product Specification:PS-2512-02
 - Symbols for SPC Dimensions:★





2512 T X - H Y2 B
① ② ③ ④ ⑤ ⑥

- ① Series No.:2512
- ② Category:T-Terminal
- ③ Shape:L-Low Feet ; H-High Feet
- ④ Material:H-High conductivity copper
- ⑤ Plating Code:
Y2-40~120u"(1~3um) TIN
- ⑥ Plating Process:
B-Stamping After Plating

Table:

2512TH-HY2B	AWG#22~20 (0.35~0.5mm ²)	1.50~1.80mm	1.90	2.05	2.90	2.50
2512TL-HY2B	AWG#24 (0.22mm ²)	1.28~1.42mm	1.30	1.40	2.40	2.50
Part N0.	Wire Range	Insulation O.D.	Dim.A	Dim.B	Dim.C	Dim.D

A	20220815	A1	/	Increase the terminal clip size	Wangcheng	John Yang	 东莞市思索连接器有限公司 SWB CONNECTORS CO.,LTD				PART NO. 2512TX-HY2B					
	20200218	A	/	Initial release	Cai Zhao	John Yang					TITLE 2.50 WTB CONN. Terminal					
	DATE	REV	ECN NO.	DESCRIPTION	MODIFY	APPROVAL	PROJECT	APPROVAL	CHECK	DRAWN	DATE	UNIT	SCALE	SHEET	REV	NUMBER
								Jason Huang	John Yang	Cai Zhao	2020/02/18	mm	3:1	1/1	A1	A-000

RoHS

This products can apply to the SWB Doc. NO. QA-3-04-005 of Environmental&Material Management Rules

RD-1

Specifications:

- Current Rating: 2A AC/DC(0.13mm² Wire)
2.5A AC/DC(0.22mm² Wire)
3A AC/DC(0.35mm² Wire)
3.5A AC/DC(0.5mm² Wire)
- Temperature Range:
-40°C~+105°C(Phosphor Bronze)
-40°C~+125°C(High conductivity copper)
- Contact Resistance:≤10mΩ(Initial)
≤20mΩ(After Testing)
- Mates With SWB Housing:2512H-XX
- Packaging Drawing:PK-2512TX-XXX
- Product Specification:PS-2512-01
- Symbols for SPC Dimensions:★

Note:

1.Material mark:

" SWBH " represent C7025

" SWB " represent Phosphor bronze



2512 T X - X XXX
① ② ③ ④ ⑤

- ① Series No.:2512
- ② Category:T-Terminal
- ③ Barrel Type:L-Low Feet ; H-High Feet
- ④ Material:P-Phosphor Bronze; H-High conductivity copper
- ⑤ Plating code:
SN1-Underplate Ni 40~120u"(1~3um) ;
Top plating Sn 80~200u"(2~5um)
G5-Contact area gold 5u"Min.
Underplate Ni 40~120u"(1~3um) ;

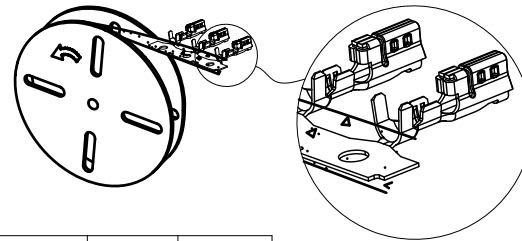
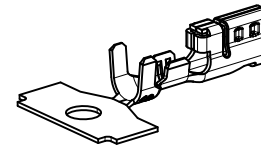
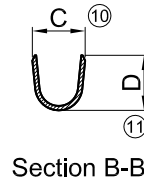
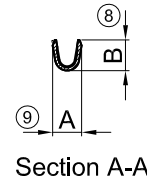
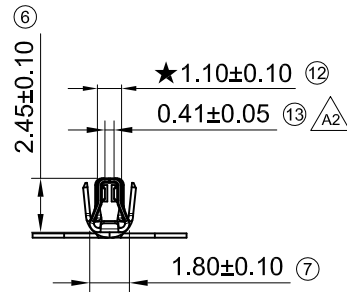
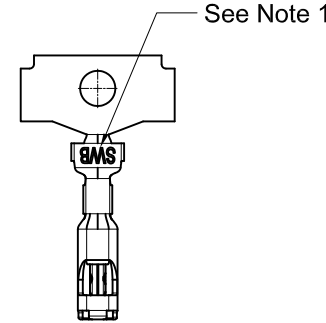
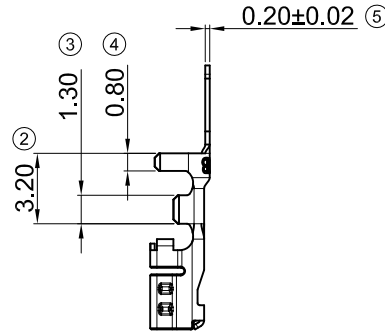
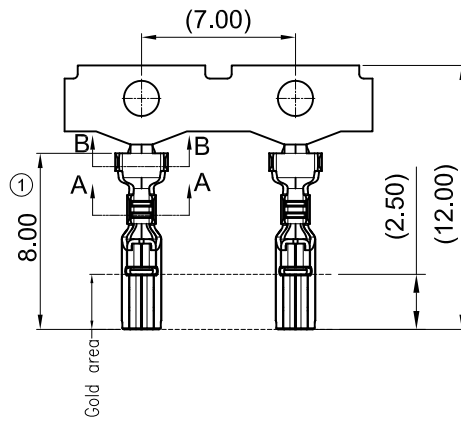


Table:

2512TH-HXXX	AWG#22~20 (0.35~0.5mm ²)	1.50~1.80mm	1.90	2.05	2.90	2.50
2512TH-PXXX						
2512TL-HXXX	AWG#26~24 (0.13~0.22mm ²)	1.28~1.42mm	1.30	1.40	2.40	2.50
2512TL-PXXX						
Part N0.	Wire Range	Insulation O.D.	Dim.A	Dim.B	Dim.C	Dim.D

A	20220815	A2	/	Increase the terminal clip size	Wangcheng	Larry Yang	GENERAL TOLERANCE				PART NO. 2512TX-XXXX						
	20220507	A1	/	New plating specifications	Wangcheng	Larry Yang	.X ±0.35	APPROVAL				TITLE 2.50 WTB CONN. Terminal					
20200218	A	/	Initial release	Cai Zhao	John Yang	.XX ±0.25	CHECK										DRAWN
	DATE	REV	ECN NO.	DESCRIPTION	MODIFY	APPROVAL	.XXX ±0.15	PROJECT	Jason Huang	John Yang	Cai Zhao	2020/02/18	mm	3:1	1/1	A2	A-000
							X.° ±2°										

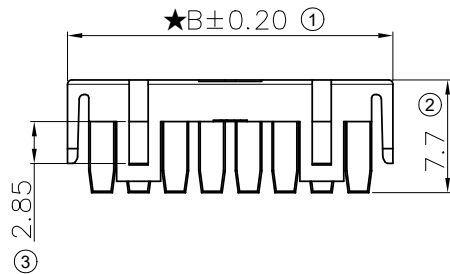


东莞市思索连接器有限公司
SWB CONNECTORS CO.,LTD

RoHS

This products can apply to the SWB Doc NO. QA-3-04-005 of Environmental&Material Management Rules

RD-1



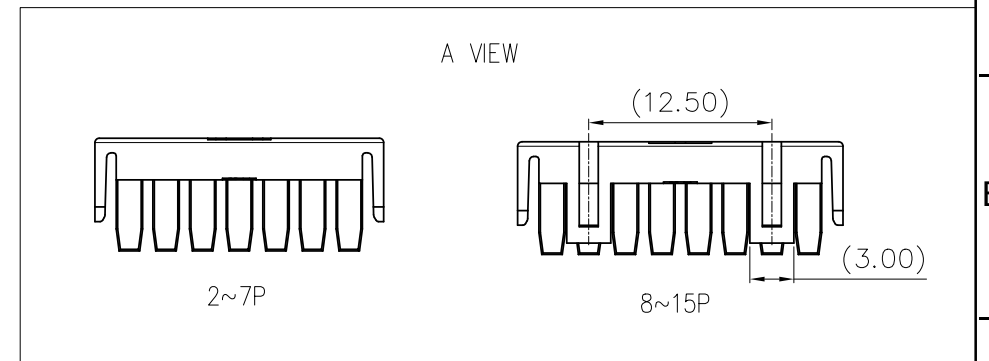
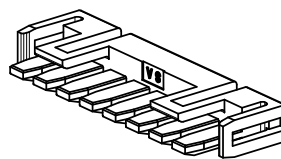
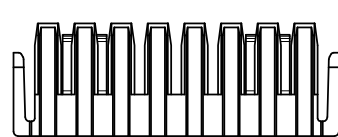
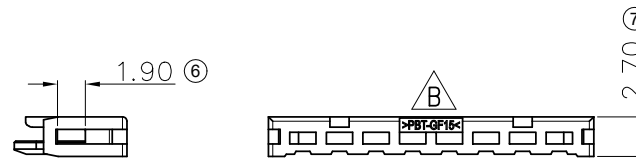
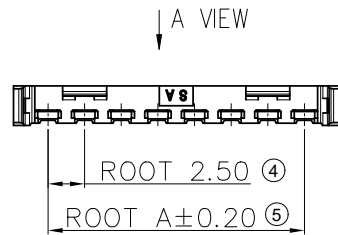
Poles	Dimensions/mm		Poles	Dimensions/mm	
	A	B		A	B
2	2.50	7.20	9	20.00	24.70
3	5.00	9.70	10	22.50	27.20
4	7.50	12.20	11	25.00	29.70
5	10.00	14.70	12	27.50	32.20
6	12.50	17.20	13	30.00	34.70
7	15.00	19.70	14	32.50	37.20
8	17.50	22.20	15	35.00	39.70

■ Specifications

- Voltage Rating: 50V AC/DC
- Withstanding Voltage: 1000V AC/Minute
- Temperature Range: -40°C~+125°C
- Insulation Resistance: 100MΩ Min./500V DC/Minute
- Mates With SWB Housing: 2512H-XX
- Packaging Drawing: PK-C2512-XX-PTXX
- Symbols for SPC Dimensions: ★

C 2512 - XX - PT XX
 ① ② ③ ④ ⑤ B

- ① Connector Type: C-TPA
- ② Series No.: 2512
- ③ Row No.-Pin No.: XX-Single Row 02~15Pin
- ④ Plastic Material: PT-PBT-GF
- ⑤ Color: BK-Black; GY-Gray B



						GENERAL TOLERANCE				PART NO. C2512-XX-PTXX								
A	20210304	B	EN120210304001	Add the color "gray" and material mark	Cai Zhao	John Yang	.X	±0.35	东莞市思索连接器有限公司 SWB CONNECTORS CO.,LTD				TITLE 2.50 WTB CONN. TPA					
	20200218	A	/	Initial release	Cai Zhao	John Yang	.XX	±0.25					APPROVAL	CHECK	DRAWN	DATE	UNIT	SCALE
	DATE	REV	ECN NO.	DESCRIPTION	MODIFY	APPROVAL	.XXX	±0.15	Jason Huang	John Yang	Cai Zhao	2020/02/18	mm	2:1	1/1	B	A-000	
							X.°	±2°	PROJECT									

RoHS

This products can apply to the SWB Doc NO. QA-3-04-005 of Environmental&Material Management Rules



Poles	Dimensions/mm				
	A	E	B	C	D
2	2.50	5.70	3.90	7.40	
3	5.00	8.20	6.40	9.90	
4	7.50	10.70	8.90	12.40	
5	10.00	13.20	11.40	14.90	
6	12.50	15.70	13.90	17.40	
7	15.00	18.20	16.40	19.90	
8	17.50	20.70	18.90	22.40	
9	20.00	23.20	21.40	24.90	
10	22.50	25.70	23.90	27.40	
11	25.00	28.20	26.40	29.90	
12	27.50	30.70	28.90	32.40	
13	30.00	33.20	31.40	34.90	
14	32.50	35.70	33.90	37.40	
15	35.00	38.20	36.40	39.90	

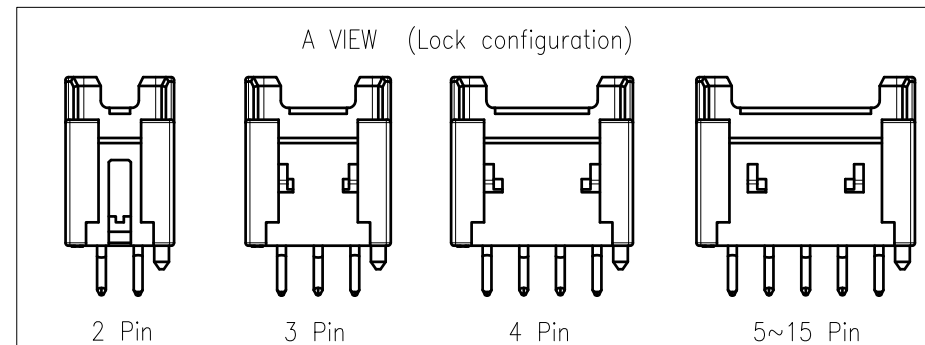
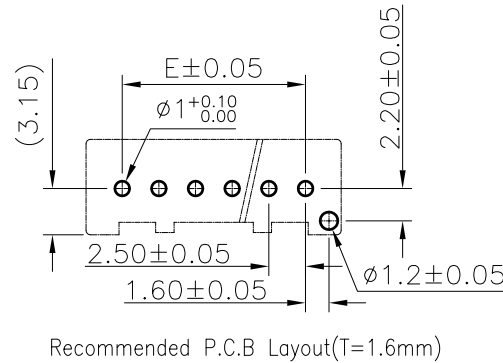
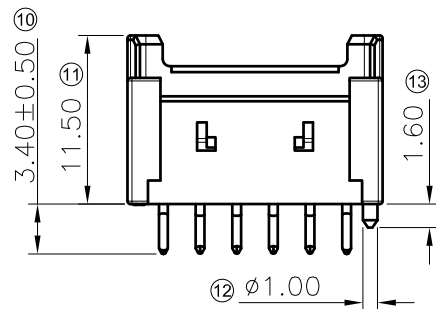
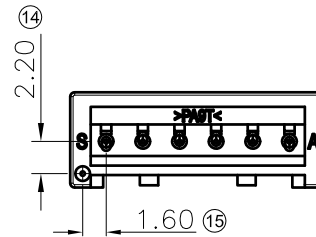
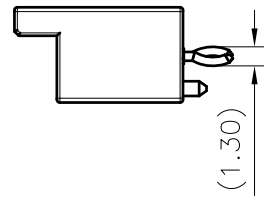
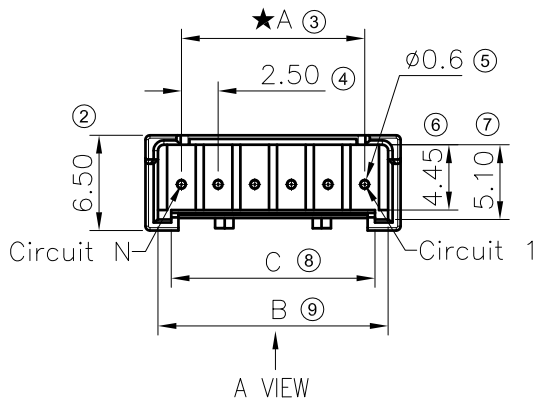
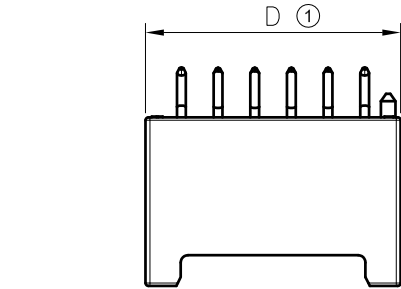
RD-1

2512 W V X-XX P-9T SW1 N I
① ② ③ ④ ⑤ ⑥ ⑦ ⑧ ⑨ ⑩

- ① Series No.:2512
- ② Category:W-Wafer
- ③ Connector Type:V-Straight 180°
- ④ Mouting Type:Blank-DIP
- ⑤ Row No.-Pin No.:XX-02~15Pin
- ⑥ Special No.:P-With a post
- ⑦ Plastic Material:9T-PA9T UL94V-0
- ⑧ Planting Code:SW1-Matte Tin
Underplate:Ni 40~120u"(1~3um) overall
Top Plating:Sn 80~200u"(2~5um) overall
- ⑨ Color:N-Natural
- ⑩ Packing:T-Tray

Specifications:

- Voltage Rating:50V AC/DC
- Current Rating:3.5A AC/DC
- Withstanding Voltage:1000V AC/Minute
- Temperature Range:-40°C~+125°C
- Insulation Resistance:100MΩ Min./500V DC/Minute
- Contact Resistance:≤10mΩ (Initial)
≤20mΩ (After Testing)
- Mates With Housing:2512H-XX
- Product Specification:PS-2512-01 or PS-2512-02
- Packaging Drawing:PK-2512WV-XXP-9TSW1NT
- Symbols for SPC Dimensions:"★"



DATE	REV	ECN NO.	DESCRIPTION	MODIFY	APPROVAL
20220424	A1	/	Modify the LAYOUT	Wangcheng	Larry Yang
20200610	A	/	Initial release	Cai Zhao	John Yang

GENERAL TOLERANCE		APPROVAL	CHECK	DRAWN	DATE
.X	±0.35				
.XX	±0.25				
.XXX	±0.15				
X.°	±2°				
PROJECT		Jason Huang	John Yang	Cai Zhao	2020/06/10

PART NO. 2512WV-XXP-9TSW1NT				
TITLE 2.5 W/B CONN WAFER ASSY WITH KINK				
UNIT	SCALE	SHEET	REV	NUMBER
mm	2:1	1/1	A1	A-000

RoHS

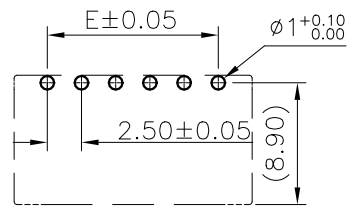
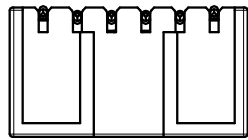
This products can apply to the SWB Doc NO. QA-3-04-005 of Environmental&Material Management Rules

Poles	Dimensions/mm				
	A	E	B	C	D
2	2.50	5.70	3.90	7.40	
3	5.00	8.20	6.40	9.90	
4	7.50	10.70	8.90	12.40	
5	10.00	13.20	11.40	14.90	
6	12.50	15.70	13.90	17.40	
7	15.00	18.20	16.40	19.90	
8	17.50	20.70	18.90	22.40	
9	20.00	23.20	21.40	24.90	
10	22.50	25.70	23.90	27.40	
11	25.00	28.20	26.40	29.90	
12	27.50	30.70	28.90	32.40	
13	30.00	33.20	31.40	34.90	
14	32.50	35.70	33.90	37.40	
15	35.00	38.20	36.40	39.90	

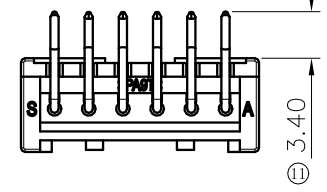
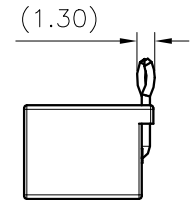
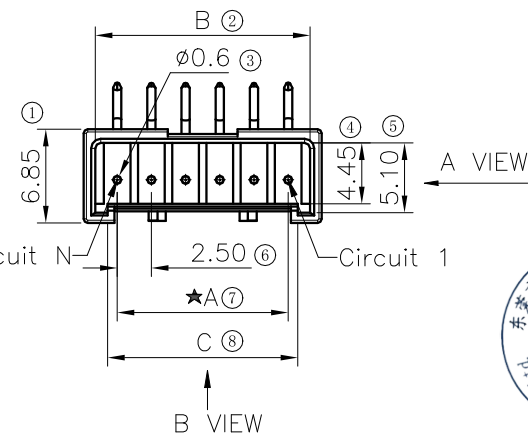
RD-1

2512 W R X-XX-9T SW1 N I
① ②③④ ⑤ ⑥ ⑦ ⑧⑨

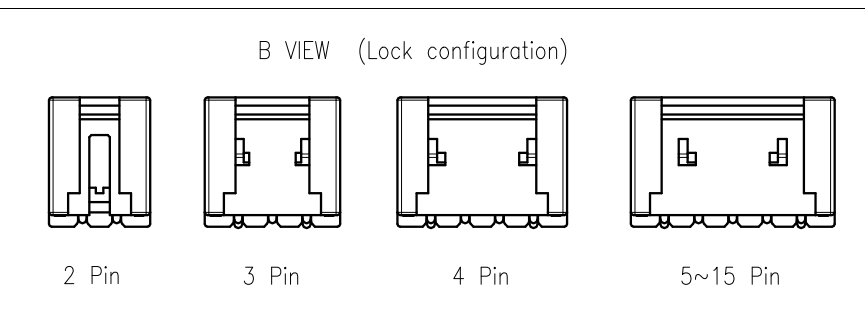
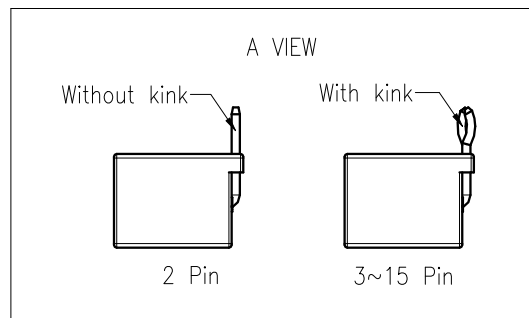
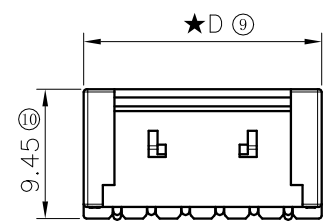
- ① Series No.:2512
- ② Category:W-Wafer
- ③ Connector Type:R-Right angle 90°
- ④ Mounting Type:Blank-DIP
- ⑤ Row No.-Pin No.:XX-02~15Pin
- ⑥ Plastic Material:9T-PA9T UL94V-0
- ⑦ Planting Code:SW1-Matte Tin
Underplate:Ni 40~120u"(1~3um) overall
Top Plating:Sn 80~200u"(2~5um) overall
- ⑧ Color:N-Natural
- ⑨ Packing:T-Tray



Recommended P.C.B Layout(T=1.6mm)



- Specifications:
- Voltage Rating:50V AC/DC
- Current Rating:3.5A AC/DC
- Withstanding Voltage:1000V AC/Minute
- Temperature Range:-40°C~+125°C
- Insulation Resistance:100MΩ Min./500V DC/Minute
- Contact Resistance:<10mΩ (Initial)
<20mΩ (After Testing)
- Mates With Housing:2512H-XX
- Product Specification:PS-2512-01 or PS-2512-02
- Packaging Drawing:PK-2512WR-XX-9TSW1NT
- Symbols for SPC Dimensions:"★"



					GENERAL TOLERANCE .X ±0.35 .XX ±0.25 .XXX ±0.15 X.° ±2° PROJECT				东莞市思索连接器有限公司 SWB CONNECTORS CO.,LTD				PART NO. 2512WR-XX-9TSW1NT TITLE 2.5 W/B CONN WAFER ASSY RIGHT ANGLE WITH KINK			
20200610	A	/	Initial release	Cai Zhao	John Yang	APPROVAL	CHECK	DRAWN	DATE	UNIT	SCALE	SHEET	REV	NUMBER		
DATE	REV	ECN NO.	DESCRIPTION	MODIFY	APPROVAL	Jason Huang	John Yang	Cai Zhao	2020/06/10	mm	2:1	1/1	A	A-000		