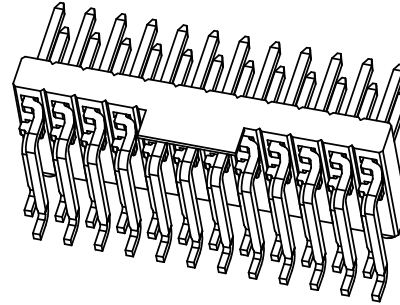
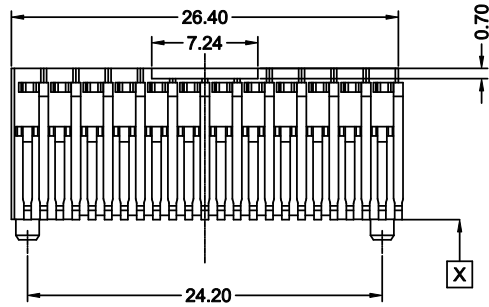


RoHS

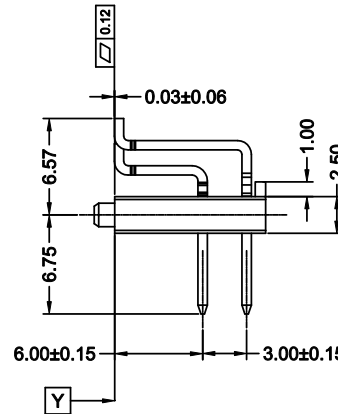
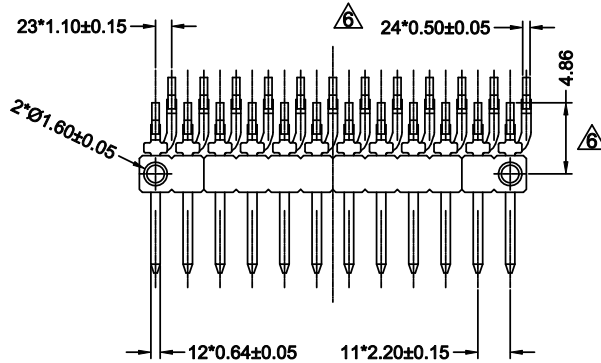
This products can apply to the SWB Doc NO. QA-3-04-005 of Environmental&Material Management Rules

RD-1



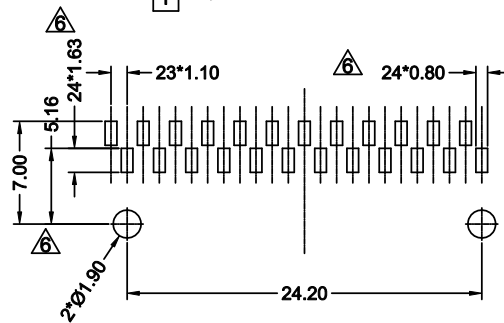
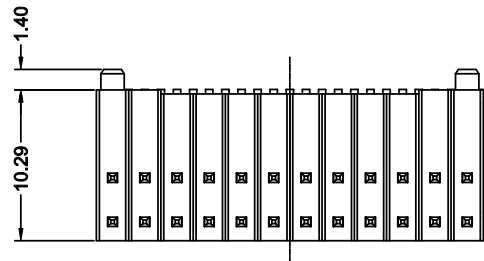
Specifications :

- Voltage rating: 125V Max. AC / DC
- Current rating: 3A Max.AC / DC
- Withstanding voltage: 500V AC/minute
- Temperature range: -40°C~+125°C
- Insulation resistance:≥100MΩ
- Contact resistance: ≤10mΩ
- After environmental testing: ≤20mΩ
- Material(Pin): Brass
- Material(HSG): PA9T UL94V-0
- Plating Code:  
SR-Underplate:Ni 30~80u"Min(0.75~2um)overall  
REFLOW-TIN:40~120u" Min(1~3u")overall



2202 W R S - 2x12 P- 9T XX R - 01  
① ② ③ ④ ⑤ ⑥ ⑦ ⑧ ⑨ ⑩

- ① Series No.:2202
- ② Category: W-wafer
- ③ Connector Type: R-Right Angle 90°
- ④ Mouting Type:S-SMT
- ⑤ Row No.-Pin No:2x12-double row 2x12Pin
- ⑥ P-With Post
- ⑦ Plastic material:9T- PA9T UL94V-0;
- ⑧ Plating Code: SR-See remarks  
SW1- All Area Matte Tin 100u" Min.; Ni 50"Min.
- ⑨ Packing: R-Reel
- ⑩ Special code:01-6.75/2.50/6.57mm



Recommended P.C.B LAYOUT  
General Tolerance±0.05



2021.08.18	A0		Glue the top of the plastic	脚欣	杨蒙	GENERAL TOLERANCE .X ±0.35 .XX ±0.25 .XXX ±0.15 X° ±2°	APPROVAL	CHECK	DRAWN	DATE	PART NO. 2202WRS-2*12P-9TXXR-01	TITLE 2.20 mm Pin Header Connectors	UNIT mm	SCALE 2:1	SHEET X/X	REV A0	NUMBER A-13
2021.05.11	6		Change the size of solder foot width	Alan qin	Robing												
2021.03.01	5		Update the tolerance	Jiang	JohnYang												
DATE	REV	ECN NO.	DESCRIPTION	MODIFY	APPROVAL												



PROJECT	Jiang	2020/10/06
APPROVAL	CHECK	DRAWN
DATE	Jiang	2020/10/06