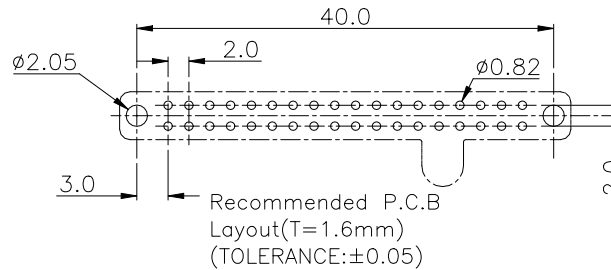
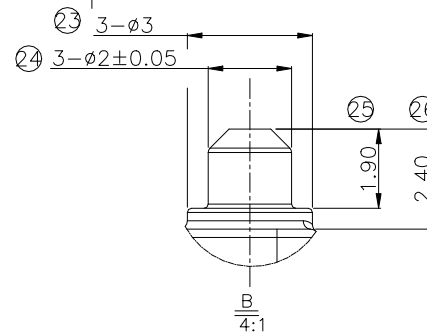
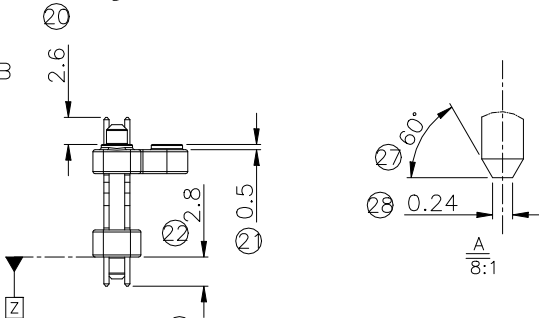
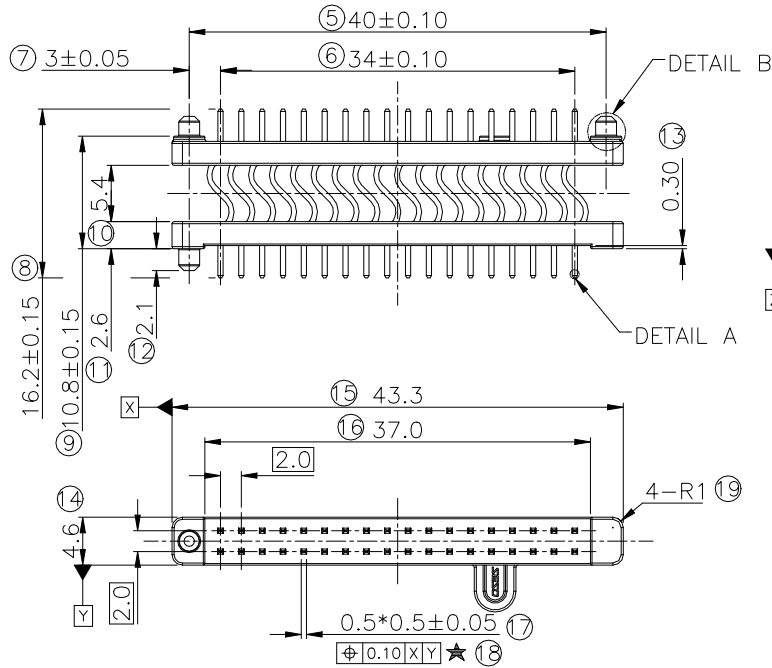
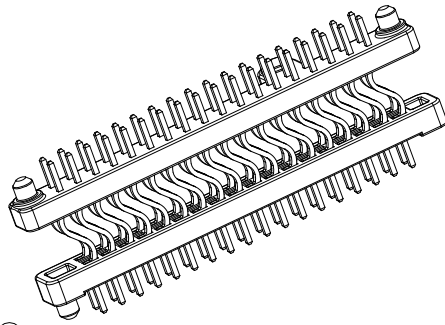
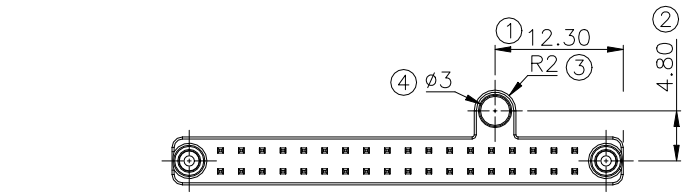


RoHS

This products can apply to the SESO Doc NO. QA-3-04-005 of Environmental&Material Management Rules

Preliminary drawing
This is subject to change without notice



Specifications :

- Voltage rating: 250V Max. AC/DC
- Current rating: 2A Max. AC/DC
- Withstanding voltage: 500V AC/minute
- Temperature range: -40°C~+130°C
- Insulation resistance: >1000MΩ
- Contact resistance: <10mΩ
- After environmental testing: <25mΩ
- Material(Pin):Phosphor bronze;
- Mates With SESO Housing:2057
- Symbols for SPC dimensions:" ★ "
- Product Specification: PS-2057-01
- Packaging: see SESO drawing:
PK-2057WV-2*18-10TSW2BT-Q

2057 W V -2*18 -10T SW2 B I-Q
① ② ③ ④ ⑤ ⑥ ⑦ ⑧ ⑨

- ① Series No.:2507
- ② Category:W-Wafer
- ③ Connector Type:V= Straight 180"
- ④ Row No.-Pin No.:2*18-Double Row-2x18Pin
- ⑤ Plastic Material:10T-PA10T (UL94V-0)
- ⑥ Planting Code:SW2-Matte Tin
Underplate:Ni 50~110u"(1.25~2.5um) overall
Top Plating:Sn 120~200u"(3~5um) overall
- ⑦ Color:B-Black
- ⑧ Packing:T-Tray
- ⑨ Types of cars:Q-Automobile category



2023/05/31	x1	EN20230531001	Customer requires changes to part number and packaging materials	YUAN	Larry Yang
2023/02/20	x0	/	Initial release	YUAN	Larry Yang
DATE	REV	ECN NO.	DESCRIPTION	MODIFY	APPROVAL

GENERAL TOLERANCE	
.X	±0.35
.XX	±0.25
.XXX	±0.15
X.*	±2*
PROJECT	
⊕	⊖

SMS 东莞市思索技术股份有限公司
Dongguan SESO Technology Co.,Ltd.

APPROVAL	CHECK	DRAWN	DATE
Jack Zhang	Larry Yang	YUAN	2023/02/20

PART NO. 2057WV-2*18-10TSW2BT-Q				
TITLE 2.00 BTB CONN				
UNIT	SCALE	SHEET	REV	NUMBER
mm	1:1	1/1	X1	CD