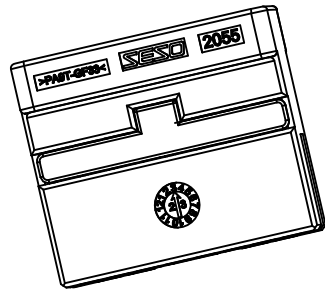
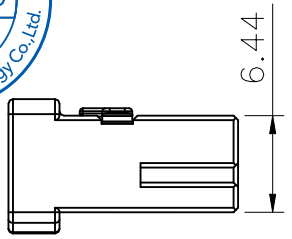
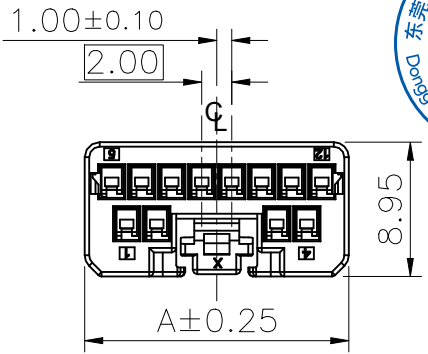


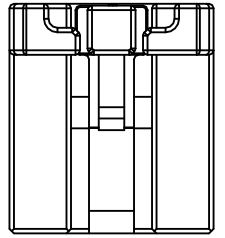
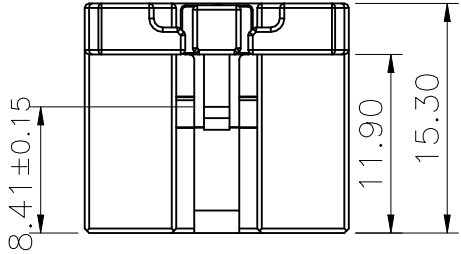
RoHS

This products can apply to the SESO Doc NO. QA-3-04-005 of Environmental&Material Management Rules

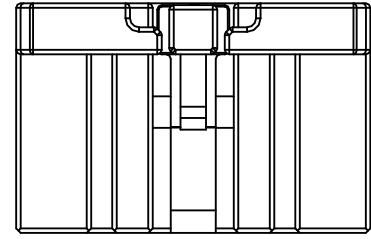


3D Views

- Specifications :**
- Voltage rating: 60V Max. AC/DC
 - Current rating: 2A Max. AC/DC
 - Withstanding voltage: 500V AC/minute
 - Temperature range: -40°C~+125°C
 - Insulation resistance: ≥100MΩ
 - Contact resistance: ≤10mΩ
 - After environmental testing: ≤20mΩ
 - Symbols for SPC dimensions: "★"
 - Product Specification: PS-2055-1
 - Packaging: see SESO drawing PK-2055A-DXX-9TBK

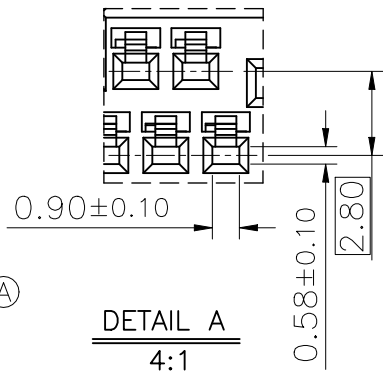
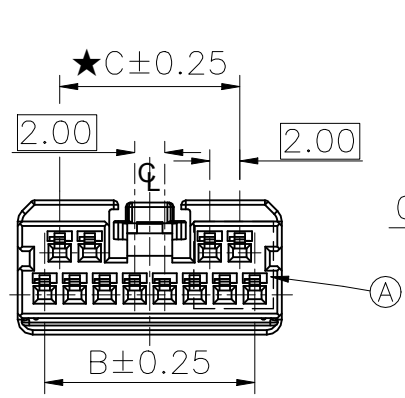


8-12Pin

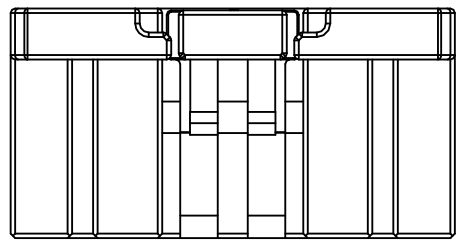


16Pin

No.of Pos.	Dimensions/mm		
	A	B	C
08	13.60	10.00	8.00
12	17.60	14.00	12.00
16	23.60	18.00	20.00
20	29.60	26.00	24.00
24	33.60	30.00	28.00



DETAIL A
4:1



20-24Pin

2055 A-D XX-9T BK
① ② ③ ④ ⑤ ⑥

- ① Series No.:2055
- ② Category:A-Housing Sub-Assembly
- ③ Row No:Double Row
- ④ Pin No.:XX-08~24Pin
- ⑤ Plastic Material:9T-PA9T UL94V-0
- ⑥ Color:BK-Black

DATE	REV	ECN NO.	DESCRIPTION	MODIFY	APPROVAL
20230905	X1	/	Modify SPC control size	DingPing Ou	Larry Yang
20230428	X0	/	Initial release	DingPing Ou	Larry Yang

GENERAL TOLERANCE

.X	±0.35
.XX	±0.25
.XXX	±0.15
X.*	±2*

PROJECT:

SMS 东莞市思索技术有限公司
Dongguan SESO Technology Co.,Ltd.

APPROVAL	CHECK	DRAWN	DATE
Jack Zhang	Larry Yang	DingPing OU	2023/04/28

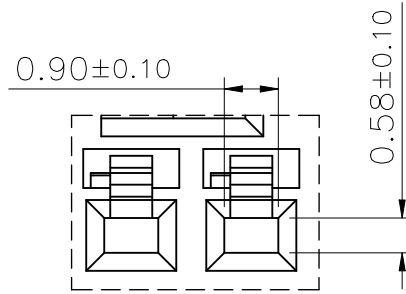
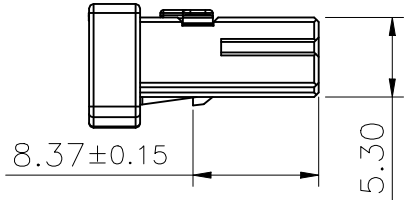
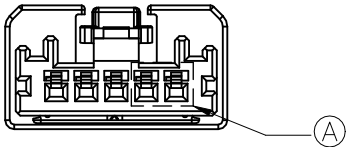
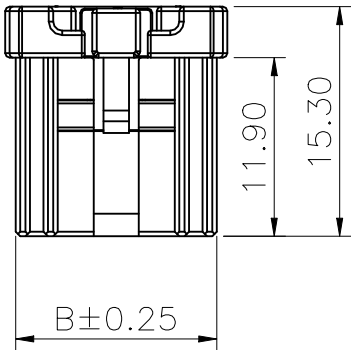
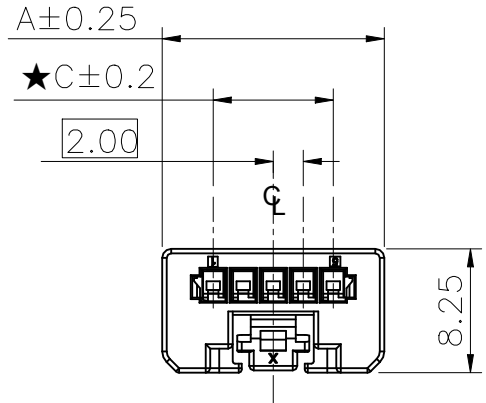
PART NO. 2055A-DXX-9TBK

TITLE 2.00mm WTB CONN

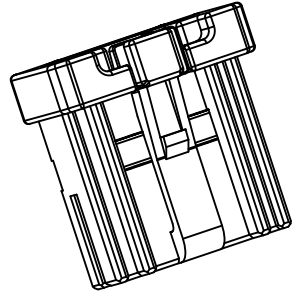
UNIT	SCALE	SHEET	REV	NUMBER
mm	1:1	1/1	X1	CD

RoHS

This products can apply to the SESO Doc NO. QA-3-04-005 of Environmental&Material Management Rules



DETAIL A
4:1



3D Views



- Specifications :
- Voltage rating: 60V Max. AC/DC
 - Current rating: 2A Max. AC/DC
 - Withstanding voltage: 500V AC/minute
 - Temperature range: -40°C~+125°C
 - Insulation resistance: ≥100MΩ
 - Contact resistance: ≤10mΩ
 - After environmental testing: ≤20mΩ
 - Symbols for SPC dimensions: "★"
 - Product Specification: PS-2055-1
 - Packaging: see SESO drawing PK-2055A-XX-9TBK

No.of Pos.	Dimensions/mm		
	A	B	C
02	8.80	7.40	2.00
04	12.80	11.40	6.00
05	14.80	13.40	8.00

2055 A-XX-9T BK
① ② ③ ④ ⑤

- ① Series No.:2055
- ② Category:A-Housing Sub-Assembly
- ③ Pin No.:XX-02~05Pin
- ④ Plastic Material:9T-PA9T UL94V-0
- ⑤ Color:BK-Black

20230905	X1	/	Modify SPC control size	DingPing Ou	Larry Yang
20230428	X0	/	Initial release	DingPing Ou	Larry Yang
DATE	REV	ECN NO.	DESCRIPTION	MODIFY	APPROVAL

GENERAL TOLERANCE	
.X	±0.35
.XX	±0.25
.XXX	±0.15
X.*	±2*
PROJECT	
⊕	⊖

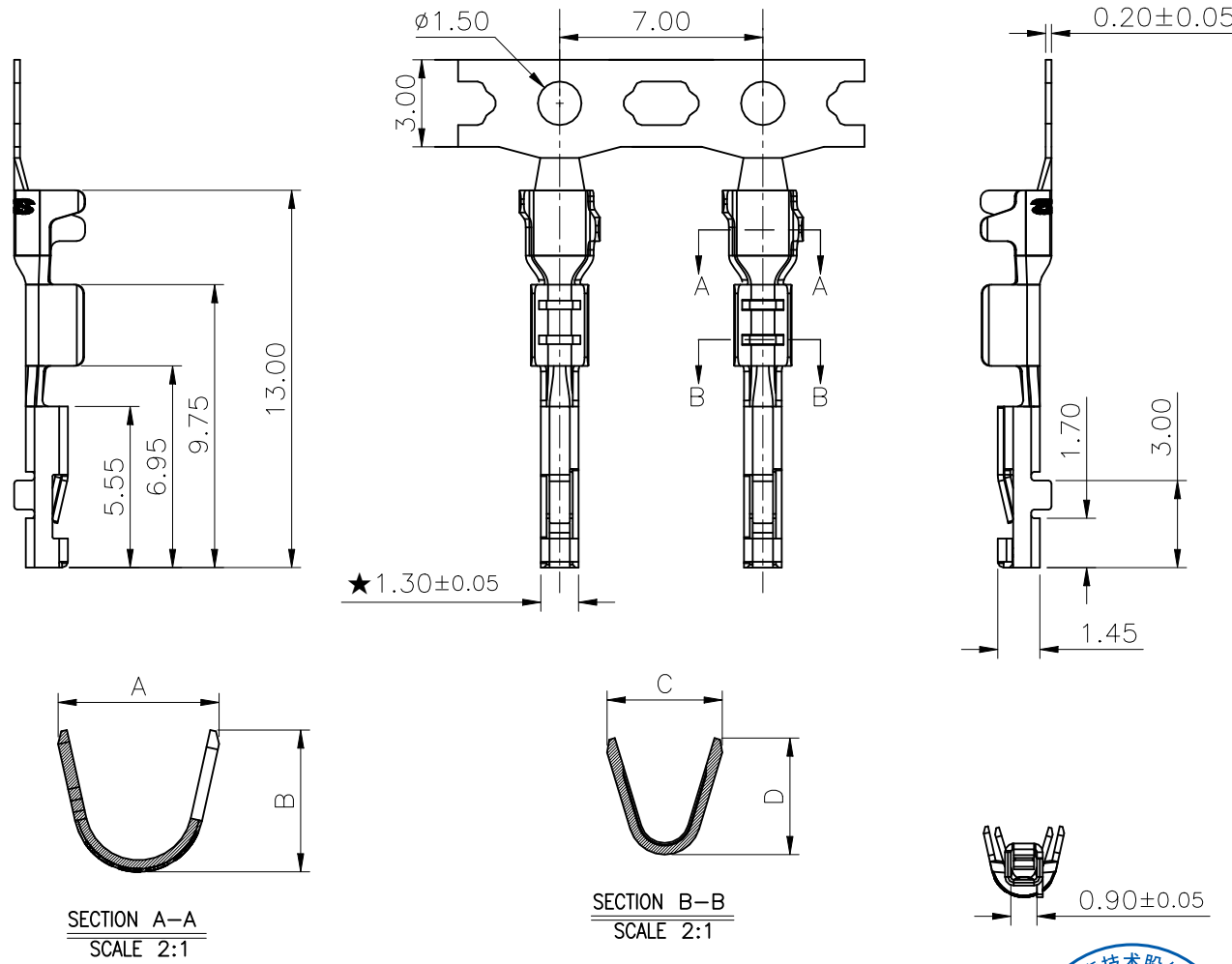
SMS 东莞市思索技术股份有限公司
Dongguan SESO Technology Co.,Ltd.

APPROVAL	CHECK	DRAWN	DATE
Jack Zhang	Larry Yang	DingPing OU	2023/04/28

PART NO. 2055A-XX-9TBK				
TITLE 2.00mm WTB CONN				
UNIT	SCALE	SHEET	REV	NUMBER
mm	1:1	1/1	X1	CD

RoHS

This products can apply to the SESO Doc NO. QA-3-04-005 of Environmental&Material Management Rules



■ Specifications :

- Voltage rating: 60V Max. AC / DC
- Current rating: 2A Max. AC / DC
- Withstanding voltage: 500V AC/minute
- Temperature range: $-40^{\circ}\text{C} \sim +125^{\circ}\text{C}$
- Insulation resistance: $\geq 100\text{M}\Omega$
- Contact resistance: $\leq 10\text{m}\Omega$
- After environmental testing: $\leq 20\text{m}\Omega$
- Material: Copper Alloy
- Mates With SESO Housing: 2055A
- Symbols for SPC Dimensions:★

2055 I X-H Y2 B

① ②③④⑤⑥

- ① Series No.: 2055
- ② Category: T-Terminal
- ③ Appearance type: Blank-Ordinary
L-Low Feet
- ④ Material: H-Copper Alloy
- ⑤ Plating Code: Y2-40~120u"(1~3um) TIN
- ⑥ Plating Process: B-Stamping After Plating



2055TL-HY2B	AWG#22~24 (0.22~0.35mm ²)	$\phi 1.4\text{mm Max}$	2.22	1.85	1.75	1.60
2055T-HY2B	AWG#20~22 (0.35~0.5mm ²)	$\phi 1.6\text{mm Max}$	2.77	2.44	1.98	2.01
Part NO.	Wire Range	Insulation O.D.	DIM A	DIM B	DIM C	DIM D

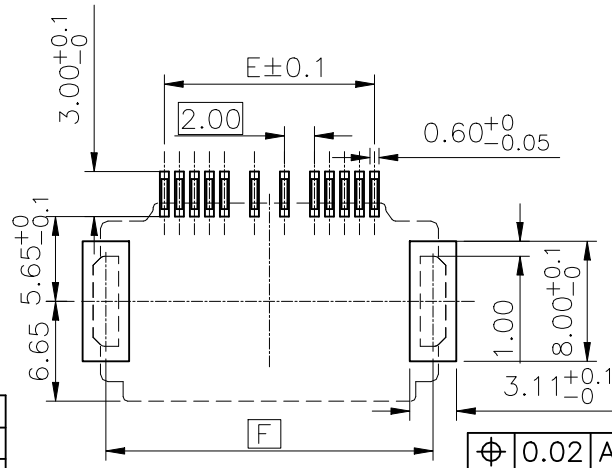
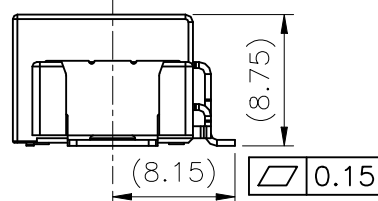
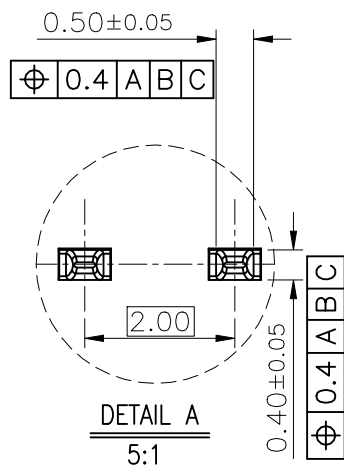
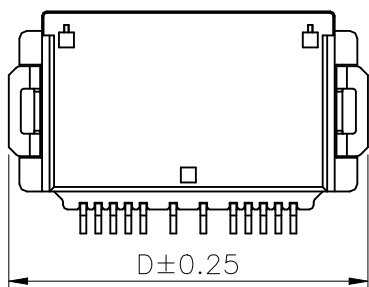
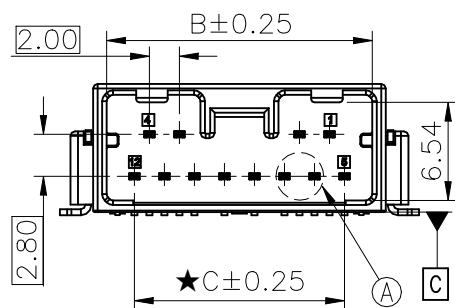
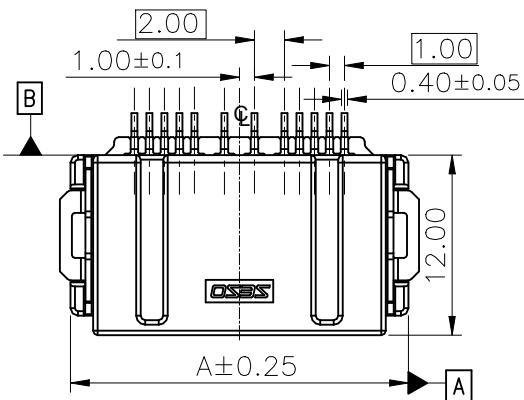
20230503	X0	/	Initial release	DingPing Ou	Larry Yang
DATE	REV	ECN NO.	DESCRIPTION	MODIFY	APPROVAL

GENERAL TOLERANCE				东莞市思索技术股份有限公司 Dongguan SESO Technology Co.,Ltd.						
.X	± 0.35	APPROVAL						CHECK	DRAWN	DATE
.XX	± 0.25	PROJECT						Jack Zhang	Larry Yang	DingPing OU
.XXX	± 0.15	APPROVAL								
X.	$\pm 2'$									

PART NO. 2055TX-HY2B					
TITLE 2.00mm Cimp Terminal					
UNIT	SCALE	SHEET	REV	NUMBER	
mm	1:1	1/1	X0	CD	

RoHS

This products can apply to the SESO Doc NO. QA-3-04-005 of Environmental&Material Management Rules



PCB THICKNESS :1.6
GENERAL TOLERANCES:±0.05



- Specifications :
- Voltage rating: 60V Max. AC/DC
 - Current rating: 2A Max. AC/DC
 - Withstanding voltage: 500V AC/minute
 - Temperature range: -40°C~+125°C
 - Insulation resistance: ≥100MΩ
 - Contact resistance: <10mΩ
 - After environmental testing: <20mΩ
 - Material(Pin): Brass
 - Mates With SESO Housing: 2055A
 - Symbols for SPC dimensions: "★"
 - Product Specification: PS-2055-1
 - Packaging: see SESO drawing
PK-2055WRS-DXX-9TSW1BR

2055 W R S-D XX-9T SW1 B R
① ② ③ ④ ⑤ ⑥ ⑦ ⑧ ⑨ ⑩

- ① Series No.:2055
- ② Category:W-Wafer
- ③ Connector Type:R-Right Angle 90°
- ④ Mounting Type:S-SMT
- ⑤ Row No.:D-Double Row
- ⑥ Pin No.:XX-08~24Pin
- ⑦ Plastic Material:9T-PA9T UL94V-0
- ⑧ Plating Code:SW1-Matte Tin
Underplate:Ni 40~120u"(1~3um) overall
Top Plating:Sn 80~200u"(2~5um) overall
- ⑨ Color:B-Black
- ⑩ Packing: R-Reel

No.of Pos.	Dimensions/mm					
	A	B	C	D	E	F
08	18.52	13.70	10.00	19.93	10.00	17.80
12	22.52	17.70	14.00	23.93	14.00	21.80
16	28.52	23.70	20.00	29.93	20.00	27.80
20	34.52	29.70	26.00	35.93	26.00	33.80
24	38.52	33.70	30.00	39.93	30.00	37.80

DATE	REV	ECN NO.	DESCRIPTION	MODIFY	APPROVAL	PROJECT	APPROVAL	CHECK	DRAWN	DATE	UNIT	SCALE	SHEET	REV	NUMBER
20230905	X1	/	Modify SPC control size; Change logo position	DingPing Ou	Larry Yang	GENERAL TOLERANCE .X ±0.35 .XX ±0.25 .XXX±0.15 X.' ±Z'	APPROVAL	CHECK	DRAWN	DATE	mm	1:1	1/1	X1	CD
20230428	X0	/	Initial release	DingPing Ou	Larry Yang	PROJECT									

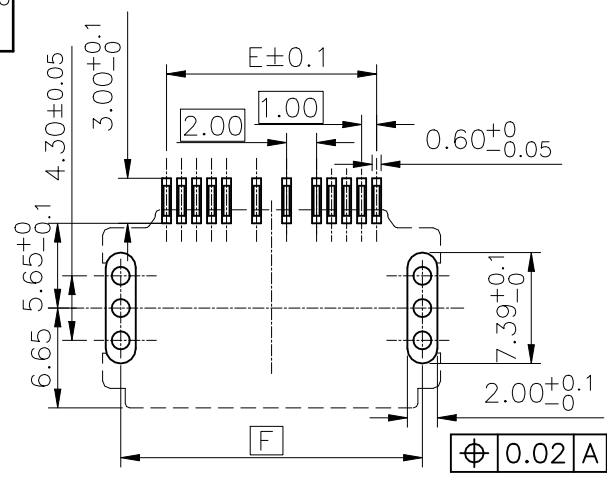
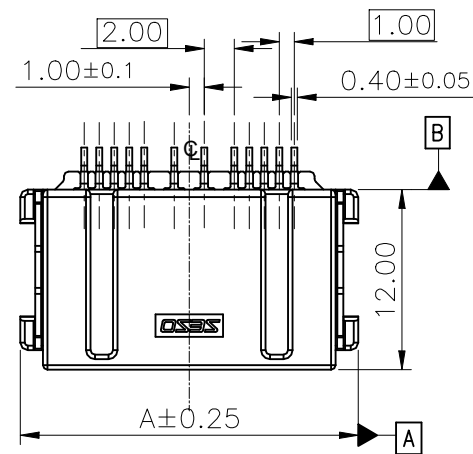
SMS 东莞市思索技术股份有限公司
Dongguan SESO Technology Co.,Ltd.

PART NO.
2055WRS-DXX-9TSW1BR

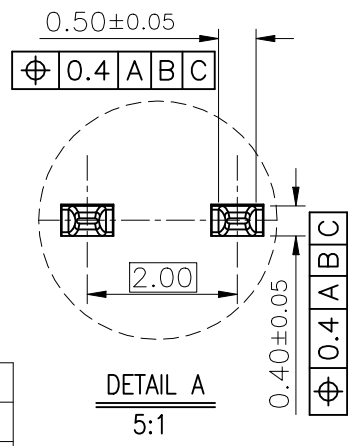
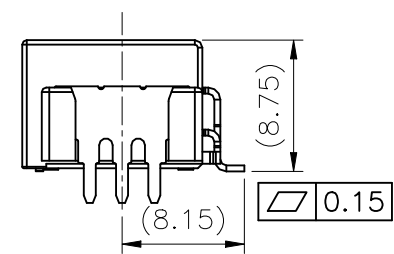
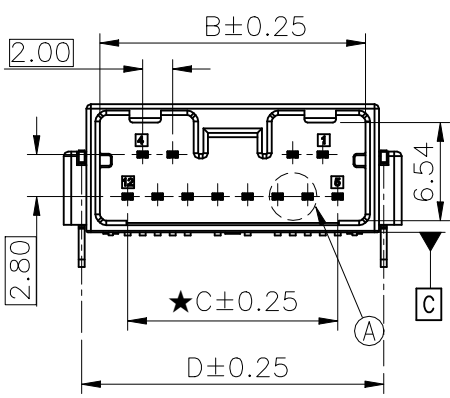
TITLE
2.00mm WTB CONN

RoHS

This products can apply to the SESO Doc NO. QA-3-04-005 of Environmental&Material Management Rules



PCB THICKNESS :1.6
GENERAL TOLERANCES:±0.05



No.of Pos.	Dimensions/mm					
	A	B	C	D	E	F
08	18.52	13.70	10.00	16.13	10.00	16.10
12	22.52	17.70	14.00	20.13	14.00	20.10
16	28.52	23.70	18.00	26.13	18.00	26.10
20	34.52	29.70	26.00	32.13	26.00	32.10
24	38.52	33.70	30.00	36.13	30.00	36.10

Specifications :

- Voltage rating: 60V Max. AC/DC
- Current rating: 2A Max. AC/DC
- Withstanding voltage: 500V AC/minute
- Temperature range: -40°C~+125°C
- Insulation resistance: ≥100MΩ
- Contact resistance: ≤10mΩ
- After environmental testing: ≤20mΩ
- Material(Pin): Brass
- Mates With SESO Housing: 2055A
- Symbols for SPC dimensions: "★"
- Product Specification: PS-2055-1
- Packaging: see SESO drawing
PK-2055WRS-DXXC-9TSW1BR

2055 W R S-D XX C-9T SW1 B R
① ② ③ ④ ⑤ ⑥ ⑦ ⑧ ⑨ ⑩ ⑪

- ① Series No.:2055
- ② Category:W-Wafer
- ③ Connector Type:R-Right Angle 90°
- ④ Mounting Type:S-SMT
- ⑤ Row No.:D-Double Row
- ⑥ Pin No.:XX-08~24Pin
- ⑦ Special NO.:C-With Harpoon
- ⑧ Plastic Material:9T-PA9T UL94V-0
- ⑨ Plating Code:SW1-Matte Tin
Underplate:Ni 40~120u"(1~3um) overall
Top Plating:Sn 80~200u"(2~5um) overall
- ⑩ Color:B-Black
- ⑪ Packing: R-Reel

DATE	REV	ECN NO.	DESCRIPTION	MODIFY	APPROVAL
20230905	X1	/	Modify SPC control size; Change logo position	DingPing Ou	Larry Yang
20230428	X0	/	Initial release	DingPing Ou	Larry Yang

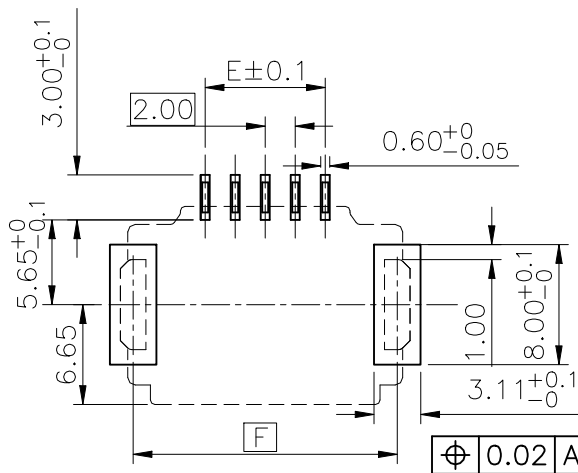
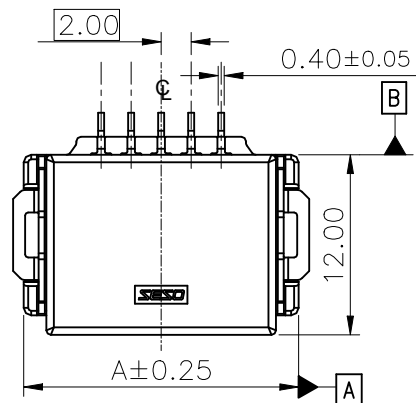
GENERAL TOLERANCE
.X ±0.35
.XX ±0.25
.XXX±0.15
X' ±Z'

SMS 东莞市思索技术股份有限公司
Dongguan SESO Technology Co.,Ltd.

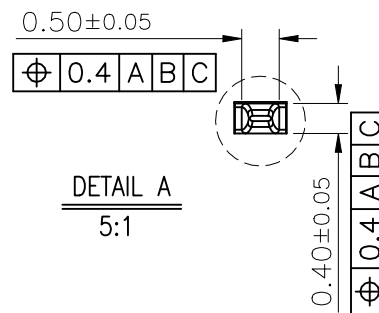
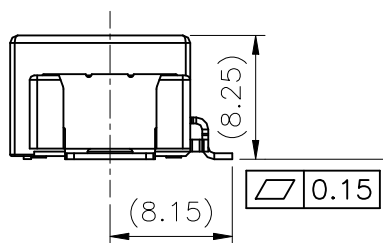
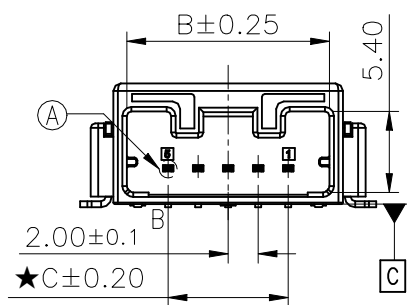
PROJECT: Jack Zhang
APPROVAL: Larry Yang
CHECK: DingPing Ou
DRAWN: DingPing Ou
DATE: 2023/04/28

PART NO. 2055WRS-DXXC-9TSW1BR				
TITLE 2.00mm WTB CONN				
UNIT	SCALE	SHEET	REV	NUMBER
mm	1:1	1/1	X1	CD

RoHS This products can apply to the SESO Doc NO. QA-3-04-005 of Environmental&Material Management Rules



PCB THICKNESS :1.6
GENERAL TOLERANCES:±0.05



Specifications :

- Voltage rating: 60V Max. AC/DC
- Current rating: 2A Max. AC/DC
- Withstanding voltage: 500V AC/minute
- Temperature range: -40°C~+125°C
- Insulation resistance: ≥100MΩ
- Contact resistance: ≤10mΩ
- After environmental testing: ≤20mΩ
- Material(Pin): Brass
- Mates With SESO Housing: 2055A
- Symbols for SPC dimensions: "★"
- Product Specification: PS-2055-1
- Packaging: see SESO drawing
PK-2055WRS-XX-9TSW1BR

2055 W R S-XX-9T SW1 B R
① ② ③ ④ ⑤ ⑥ ⑦ ⑧ ⑨

- ① Series No.:2055
- ② Category:W-Wafer
- ③ Connector Type:R-Right Angle 90°
- ④ Mouting Type:S-SMT
- ⑤ Pin No.:XX-02~05Pin
- ⑥ Plastic Material:9T-PA9T UL94V-0
- ⑦ Plating Code:SW1-Matte Tin
Underplate:Ni 40~120u"(1~3um) overall
Top Plating:Sn 80~200u"(2~5um) overall
- ⑧ Color:B-Black
- ⑨ Packing: R-Reel

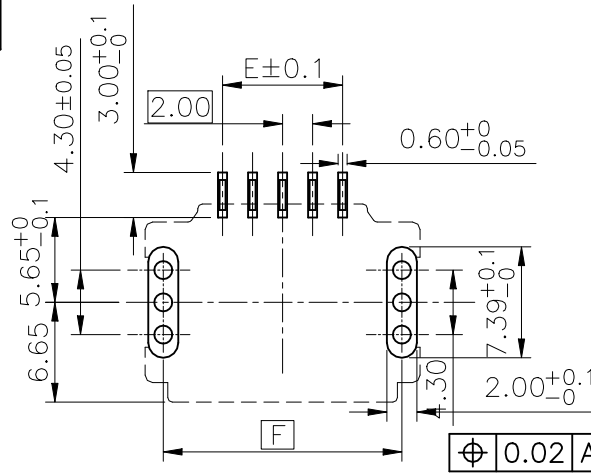
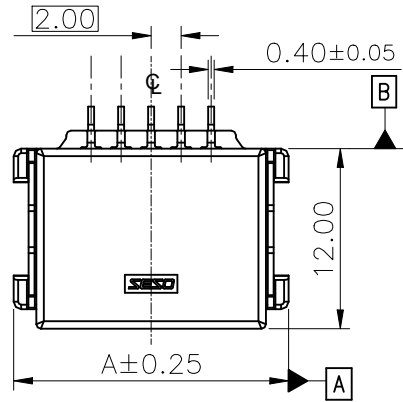
No.of Pos.	Dimensions/mm					
	A	B	C	D	E	F
02	12.32	7.50	2.00	13.73	2.00	11.60
04	16.32	11.50	6.00	17.73	6.00	15.60
05	18.32	13.50	8.00	19.73	8.00	17.60

					GENERAL TOLERANCE				PART NO.												
					.X ±0.35				2055WRS-XX-9TSW1BR												
					.XX ±0.25				TITLE												
					.XXX±0.15				2.00mm WTB CONN												
					X: ±Z				APPROVAL		CHECK		DRAWN		DATE						
DATE		REV		ECN NO.		DESCRIPTION		MODIFY		APPROVAL		PROJECT		Jack Zhang		Larry Yang		DingPing Ou		2023/04/28	
												UNIT		SCALE		SHEET		REV		NUMBER	
												mm		1:1		1/1		X1		CD	

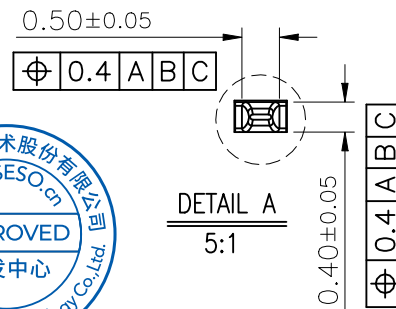
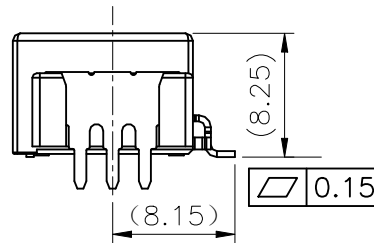
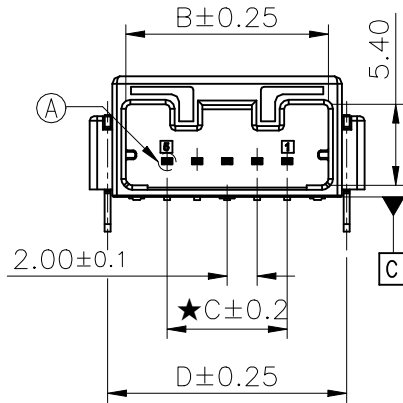
SMS 东莞市思索技术股份有限公司
Dongguan SESO Technology Co.,Ltd.

RoHS

This products can apply to the SESO Doc NO. QA-3-04-005 of Environmental&Material Management Rules



PCB THICKNESS :1.6
GENERAL TOLERANCES:±0.05



Specifications :

- Voltage rating: 60V Max. AC/DC
- Current rating: 2A Max. AC/DC
- Withstanding voltage: 500V AC/minute
- Temperature range: -40°C~+125°C
- Insulation resistance: ≥100MΩ
- Contact resistance: ≤10mΩ
- After environmental testing: ≤20mΩ
- Material(Pin): Brass
- Mates With SESO Housing: 2055A
- Symbols for SPC dimensions: "★"
- Product Specification: PS-2055-1
- Packaging: see SESO drawing PK-2055WRS-XXC-9TSW1BR

2055 W R S-XX C-9T SW1 B R
① ② ③ ④ ⑤ ⑥ ⑦ ⑧ ⑨ ⑩

- ① Series No.:2055
- ② Category:W-Wafer
- ③ Connector Type:R-Right Angle 90°
- ④ Mounting Type:S-SMT
- ⑤ Pin No.:XX-02~05Pin
- ⑥ Special NO.:C-With Harpoon
- ⑦ Plastic Material:9T-PA9T UL94V-0
- ⑧ Plating Code:SW1-Matte Tin
Underplate:Ni 40~120u"(1~3um) overall
Top Plating:Sn 80~200u"(2~5um) overall
- ⑨ Color:B-Black
- ⑩ Packing: R-Reel

No.of Pos.	Dimensions/mm					
	A	B	C	D	E	F
02	12.32	7.50	2.00	9.93	2.00	9.90
04	16.32	11.50	6.00	13.93	6.00	13.90
05	18.32	13.50	8.00	15.93	8.00	15.90

DATE		REV	ECN NO.	DESCRIPTION	MODIFY	APPROVAL	PROJECT	APPROVAL				UNIT	SCALE	SHEET	REV	NUMBER
20230905		X1	/	Modify SPC control size; Change logo position	DingPing Ou	Larry Yang	GENERAL TOLERANCE	东莞市思索技术股份有限公司 Dongguan SESO Technology Co.,Ltd.				mm	1:1	1/1	X1	CD
20230428		X0	/	Initial release	DingPing Ou	Larry Yang	.X ±0.35									
							.XX ±0.25									
							.XXX±0.15									
							X' ±2"	APPROVAL	CHECK	DRAWN	DATE					
							PROJECT	Jack Zhang	Larry Yang	DingPing Ou	2023/04/28					

PART NO.
2055WRS-XXC-9TSW1BR
TITLE
2.00mm WTB CONN

RoHS

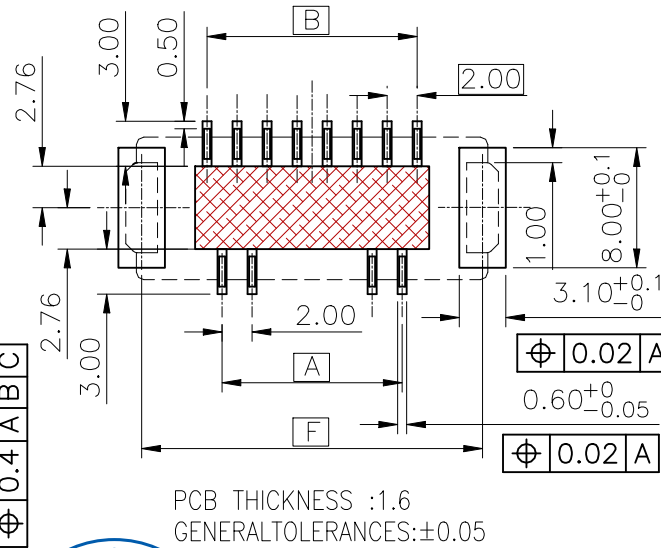
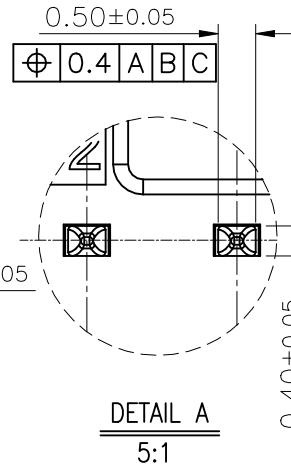
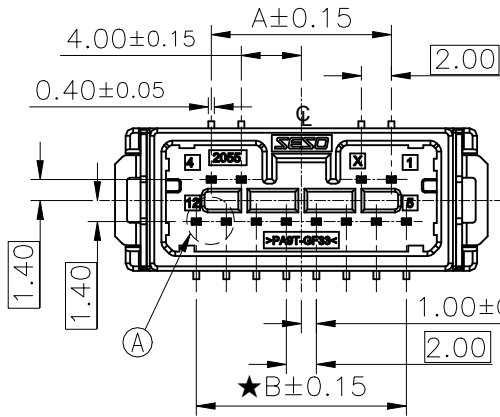
This products can apply to the SESO Doc NO. QA-3-04-005 of Environmental&Material Management Rules

Specifications :

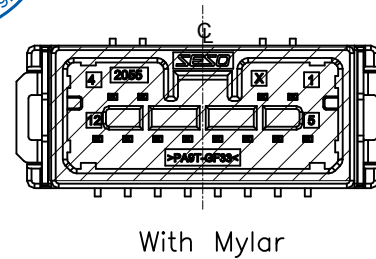
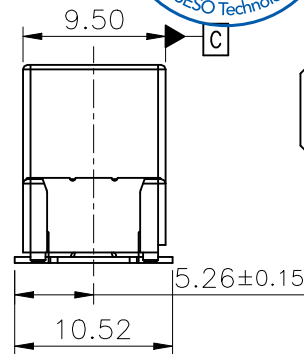
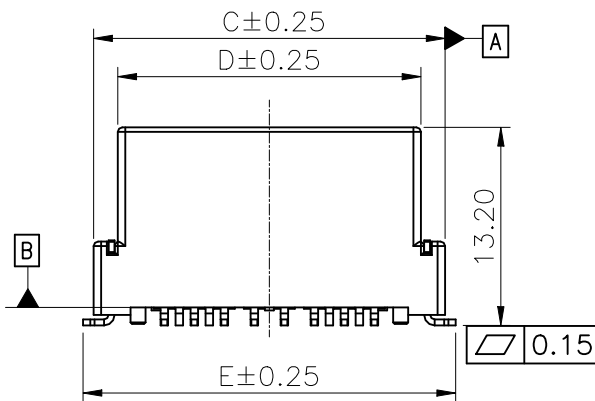
- Voltage rating: 60V Max. AC/DC
- Current rating: 2A Max. AC/DC
- Withstanding voltage: 500V AC/minute
- Temperature range: -40°C~+125°C
- Insulation resistance: >100MΩ
- Contact resistance: <10mΩ
- After environmental testing: <20mΩ
- Material(Pin): Brass
- Mates With SESO Housing: 2055A
- Symbols for SPC dimensions: "★"
- Product Specification: PS-2055-1
- Packaging: see SESO drawing
PK-2055WVS-DXX-9TSW1BW

2055 W V S-D XX-9T SW1 B W
① ② ③ ④ ⑤ ⑥ ⑦ ⑧ ⑨ ⑩

- ① Series No.:2055
- ② Category:W-Wafer
- ③ Connector Type:V-Straight 180°
- ④ Mouting Type:S-SMT
- ⑤ Row No.:D-Double Row
- ⑥ Pin No.:XX-08~24Pin
- ⑦ Plastic Material:9T-PA9T UL94V-0
- ⑧ Plating Code:SW1-Matte Tin
Underplate:Ni 40~120u"(1~3um) overall
Top Plating:Sn 80~200u"(2~5um) overall
- ⑨ Color:B-Black
- ⑩ Packing:W-Reel,With Mylar



PCB THICKNESS :1.6
GENERAL TOLERANCES:±0.05



No.of Pos.	Dimensions/mm					
	A	B	C	D	E	F
08	8.00	10.00	19.42	16.20	20.83	17.70
12	12.00	14.00	23.42	20.20	24.83	22.70
16	20.00	18.00	29.42	26.20	30.83	28.70
20	24.00	26.00	35.42	32.20	36.83	34.70
24	28.00	30.00	39.42	36.20	40.83	38.70

DATE	REV	ECN NO.	DESCRIPTION	MODIFY	APPROVAL	PROJECT	APPROVAL	CHECK	DRAWN	DATE	UNIT	SCALE	SHEET	REV	NUMBER	
20230905	X1	/	Modify SPC control size	DingPing Ou	Larry Yang	GENERAL TOLERANCE	东莞市思索技术股份有限公司 Dongguan SESO Technology Co.,Ltd.				mm	1:1	1/1	X1	CD	
20230428	X0	/	Initial release	DingPing Ou	Larry Yang	.X ±0.35										
						.XX ±0.25										
						.XXX±0.15										
						X: ±Z										

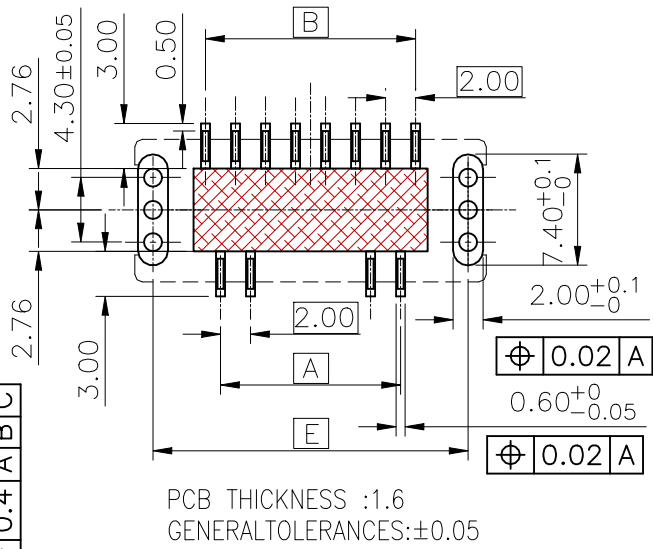
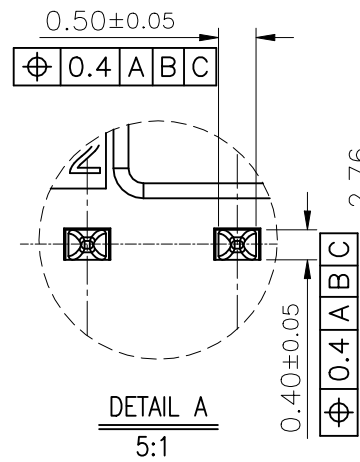
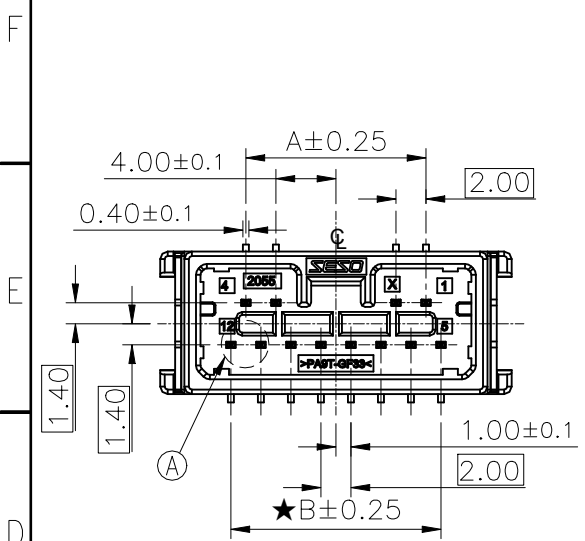
PART NO.		2055WVS-DXX-9TSW1BW	
TITLE		2.00mm WTB CONN	

RoHS

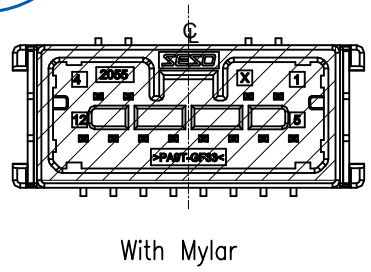
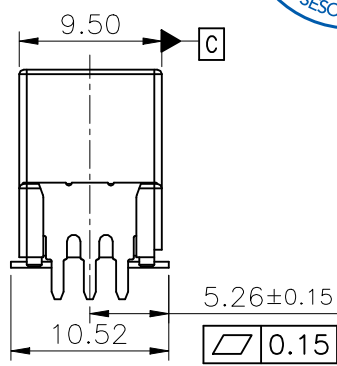
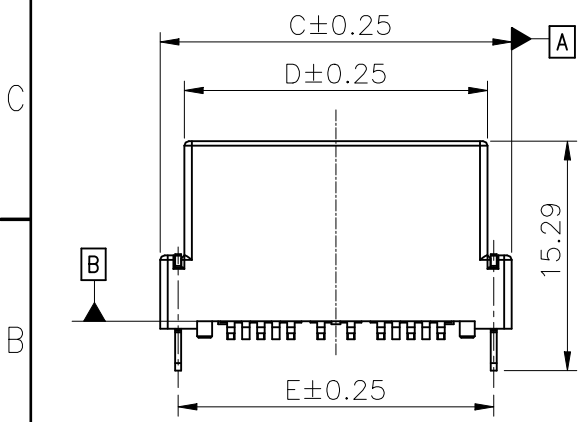
This products can apply to the SESO Doc NO. QA-3-04-005 of Environmental&Material Management Rules

Specifications :

- Voltage rating: 60V Max. AC/DC
- Current rating: 2A Max. AC/DC
- Withstanding voltage: 500V AC/minute
- Temperature range: -40°C~+125°C
- Insulation resistance: ≥100MΩ
- Contact resistance: <10mΩ
- After environmental testing: <20mΩ
- Material(Pin): Brass
- Mates With SESO Housing: 2055A
- Symbols for SPC dimensions: "★"
- Product Specification: PS-2055-1
- Packaging: see SESO drawing
PK-2055WVS-DXXC-9TSW1BW



PCB THICKNESS :1.6
GENERAL TOLERANCES:±0.05



2055 W V S-D XX C-9T SW1 B W
① ② ③ ④ ⑤ ⑥ ⑦ ⑧ ⑨ ⑩ ⑪

- ① Series No.:2055
- ② Category:W-Wafer
- ③ Connector Type:V-Straight 180°
- ④ Mounting Type:S-SMT
- ⑤ Row No.:D-Double Row
- ⑥ Pin No.:XX-08~24Pin
- ⑦ Special NO.:C-With Harpoon
- ⑧ Plastic Material:9T-PA9T UL94V-0
- ⑨ Plating Code:SW1-Matte Tin
- Underplate:Ni 40~120u"(1~3um)overall
- Top Plating:Sn 80~200u"(2~5um)overall
- ⑩ Color:B-Black
- ⑪ Packing:W-Reel,With Mylar

No.of Pos.	Dimensions/mm				
	A	B	C	D	E
08	8.00	10.00	19.42	16.20	17.00
12	12.00	14.00	23.42	20.20	21.00
16	20.00	18.00	29.42	26.20	27.00
20	24.00	26.00	35.42	32.20	33.00
24	28.00	30.00	39.42	36.20	37.00

DATE	REV	ECN NO.	DESCRIPTION	MODIFY	APPROVAL
20230905	X1	/	Modify SPC control size	DingPing Ou	Larry Yang
20230428	X0	/	Initial release	DingPing Ou	Larry Yang

GENERAL TOLERANCE
.X ±0.35
.XX ±0.25
.XXX±0.15
X.' ±Z'

PROJECT
APPROVAL
CHECK
DRAWN
DATE

SMS 东莞市思索技术股份有限公司
Dongguan SESO Technology Co.,Ltd.

APPROVAL: Jack Zhang
CHECK: Larry Yang
DRAWN: DingPing Ou
DATE: 2023/04/28

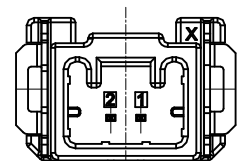
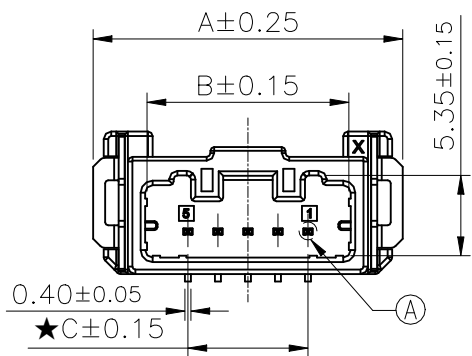
PART NO.
2055WVS-DXXC-9TSW1BW

TITLE
2.00mm WTB CONN

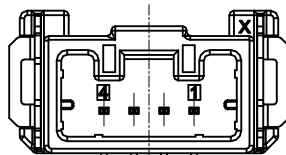
UNIT	SCALE	SHEET	REV	NUMBER
mm	1:1	1/1	X1	CD

RoHS

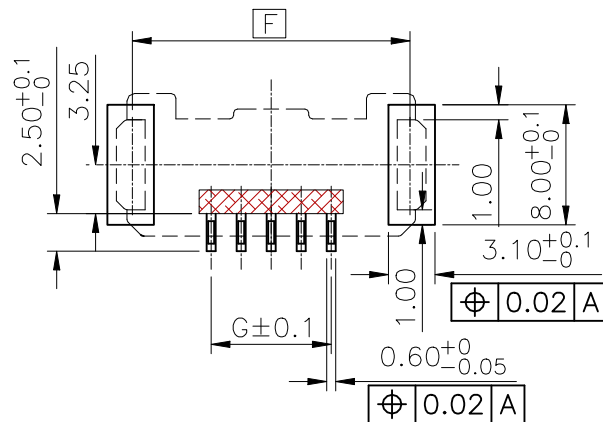
This products can apply to the SESO Doc NO. QA-3-04-005 of Environmental&Material Management Rules



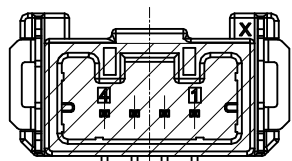
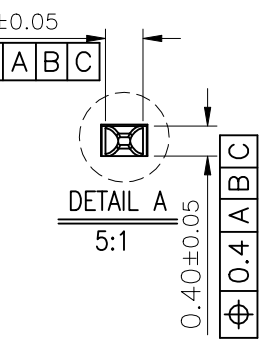
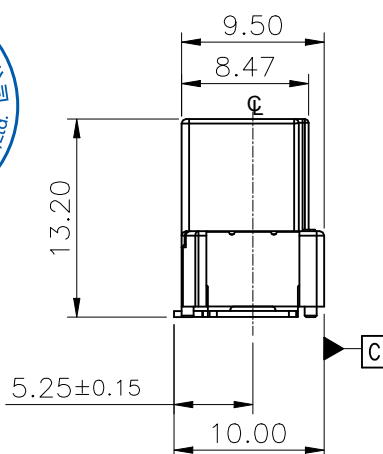
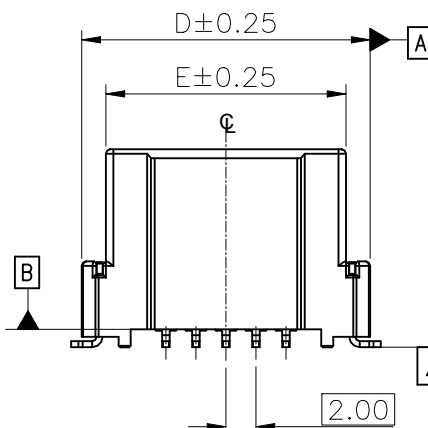
2Pin



4Pin



PCB THICKNESS :1.6
GENERAL TOLERANCES:±0.05



With Mylar

Specifications :

- Voltage rating: 60V Max. AC/DC
- Current rating: 2A Max. AC/DC
- Withstanding voltage: 500V AC/minute
- Temperature range: -40°C~+125°C
- Insulation resistance: ≥100MΩ
- Contact resistance: ≤10mΩ
- After environmental testing: ≤20mΩ
- Material(Pin): Brass
- Mates With SESO Housing: 2055A
- Symbols for SPC dimensions:" ★ "
- Product Specification: PS-2055-1
- Packaging: see SESO drawing
PK-2055WVS-XX-9TSW1BW

2055 W V S-XX-9T SW1 B W
① ② ③ ④ ⑤ ⑥ ⑦ ⑧ ⑨

- ① Series No.:2055
- ② Category:W-Wafer
- ③ Connector Type:V-Straight 180°
- ④ Mouting Type:S-SMT
- ⑤ Pin No.:XX-Single Row-02~05Pin
- ⑥ Plastic Material:9T-PA9T UL94V-0
- ⑦ Plating Code:SW1-Matte Tin
Underplate:Ni 40~120u"(1~3um) overall
Top Plating:Sn 80~200u"(2~5um) overall
- ⑧ Color:B-Black
- ⑨ Packing:W-Reel,With Mylar

No.of Pos.	Dimensions/mm						
	A	B	C	D	E	F	G
02	14.63	7.45	2.00	13.22	10.00	12.50	2.00
04	18.63	11.45	6.00	17.22	14.00	16.50	6.00
05	20.63	13.45	8.00	19.22	16.00	18.50	8.00

DATE	REV	ECN NO.	DESCRIPTION	MODIFY	APPROVAL
20230905	X1	/	Modify SPC control size	DingPing Ou	Larry Yang
20230428	X0	/	Initial release	DingPing Ou	Larry Yang

GENERAL TOLERANCE
.X ±0.35
.XX ±0.25
.XXX±0.15
X.' ±2"

SMS 东莞市思索技术有限公司
Dongguan SESO Technology Co.,Ltd.

PROJECT: Jack Zhang
APPROVAL: Larry Yang
CHECK: DingPing Ou
DRAWN: Larry Yang
DATE: 2023/04/28

PART NO. 2055WVS-XX-9TSW1BW

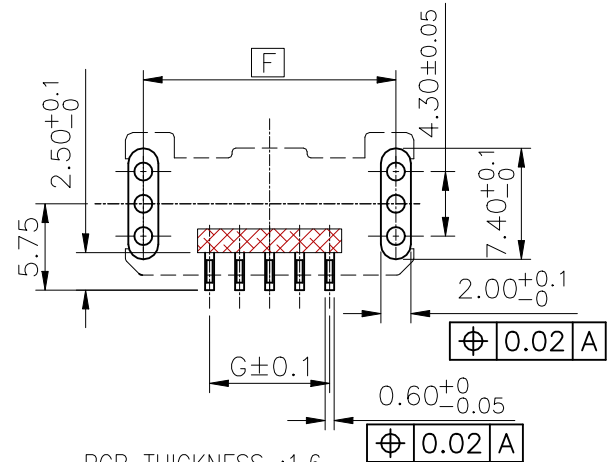
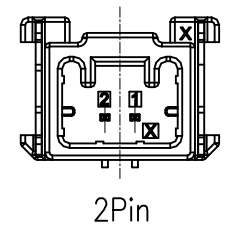
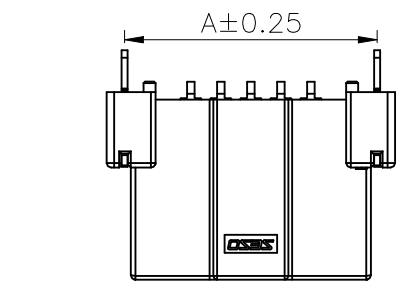
TITLE 2.00mm WTB CONN

UNIT	SCALE	SHEET	REV	NUMBER
mm	1:1	1/1	X1	CD

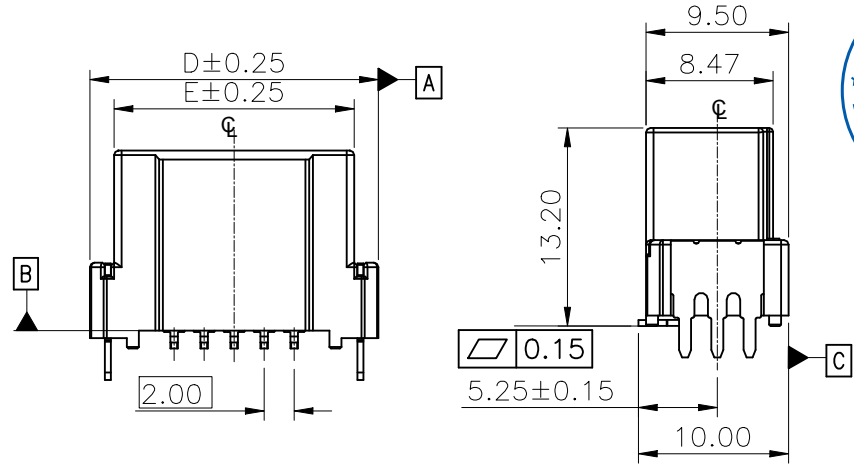
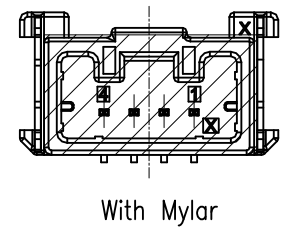
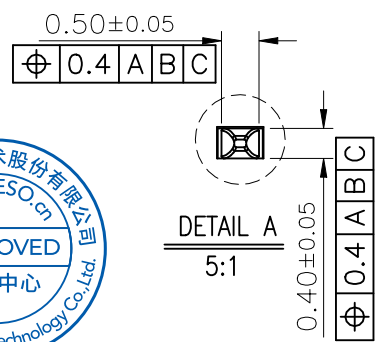
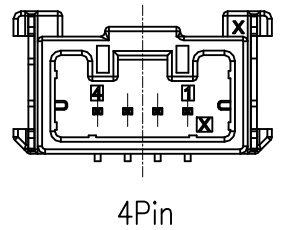
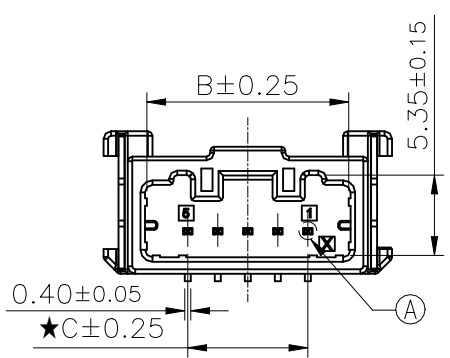
RoHS

This products can apply to the SESO Doc NO. QA-3-04-005 of Environmental&Material Management Rules

- Specifications :
- Voltage rating: 60V Max. AC/DC
 - Current rating: 2A Max. AC/DC
 - Withstanding voltage: 500V AC/minute
 - Temperature range: -40°C~+125°C
 - Insulation resistance: ≥100MΩ
 - Contact resistance: <10mΩ
 - After environmental testing: <20mΩ
 - Material(Pin): Brass
 - Mates With SESO Housing: 2055A
 - Symbols for SPC dimensions:" ★ "
 - Product Specification: PS-2055-1
 - Packaging: see SESO drawing
PK-2055WVS-XXC-9TSW1BW



PCB THICKNESS :1.6
GENERAL TOLERANCES:±0.05



2055 W V S-XX C-9T SW1 B W
① ② ③ ④ ⑤ ⑥ ⑦ ⑧ ⑨ ⑩

- ① Series No.:2055
- ② Category:W-Wafer
- ③ Connector Type:V-Straight 180°
- ④ Mounting Type:S-SMT
- ⑤ Row No.-Pin No.:XX-Single Row-02~05Pin
- ⑥ Special NO.:C-With Harpoon
- ⑦ Plastic Material:9T-PA9T UL94V-0
- ⑧ Plating Code:SW1-Matte Tin
Underplate:Ni 40~120u"(1~3um) overall
Top Plating:Sn 80~200u"(2~5um) overall
- ⑨ Color:B-Black
- ⑩ Packing:W-Reel,With Mylar

No.of Pos.	Dimensions/mm						
	A	B	C	D	E	F	G
02	10.80	7.45	2.00	13.22	10.00	10.80	2.00
04	14.80	11.45	6.00	17.22	14.00	14.80	6.00
05	16.80	13.45	8.00	19.22	16.00	16.80	8.00

DATE	REV	ECN NO.	DESCRIPTION	MODIFY	APPROVAL
20230905	X1	/	Modify SPC control size; Change logo position	DingPing Ou	Larry Yang
20230428	X0	/	Initial release	DingPing Ou	Larry Yang

GENERAL TOLERANCE
.X ±0.35
.XX ±0.25
.XXX±0.15
X.' ±Z'

PROJECT
APPROVAL
CHECK
DRAWN
DATE

SMS 东莞市思索技术股份有限公司
Dongguan SESO Technology Co.,Ltd.

APPROVAL: Jack Zhang
CHECK: Larry Yang
DRAWN: DingPing Ou
DATE: 2023/04/28

PART NO.
2055WVS-XXC-9TSW1BW

TITLE
2.00mm WTB CONN

UNIT	SCALE	SHEET	REV	NUMBER
mm	1:1	1/1	X1	CD