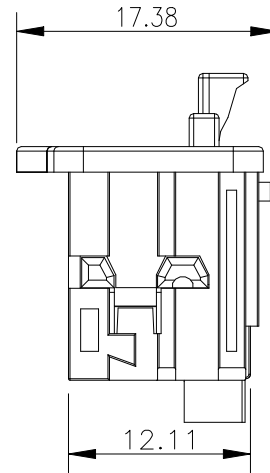
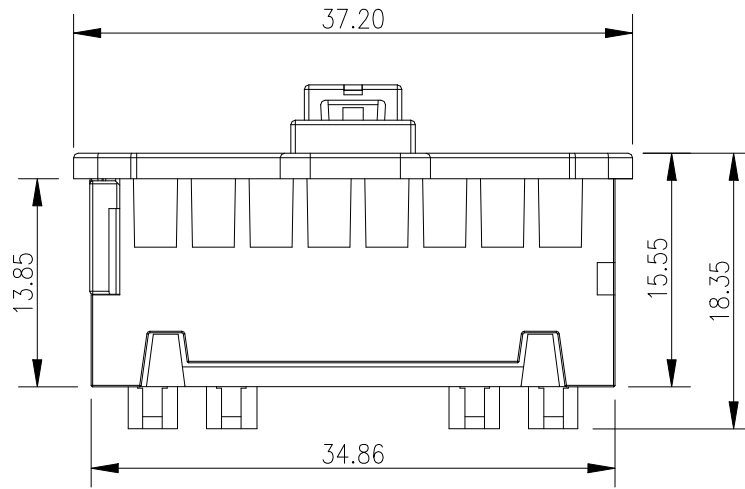


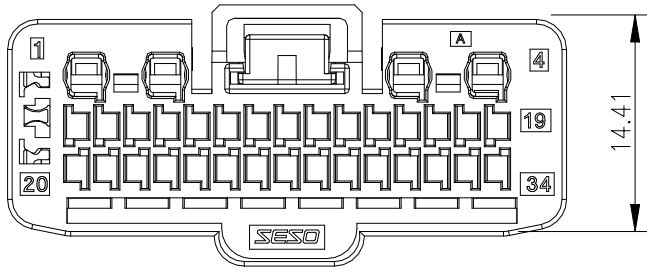
RoHS

This products can apply to the SESO Doc NO. QA-3-04-005 of Environmental&Material Management Rules



Specifications :

- Voltage rating: 14V AC / DC
- Current rating: 16A Max AWG16
- Contact resistance: $\leq 10m\Omega$
- After environmental testing: $\leq 20m\Omega$
- Insulation resistance: $\geq 100M\Omega$
- Withstanding voltage: 500V AC/minute
- Temperature range: $-40^{\circ}C \sim +105^{\circ}C$



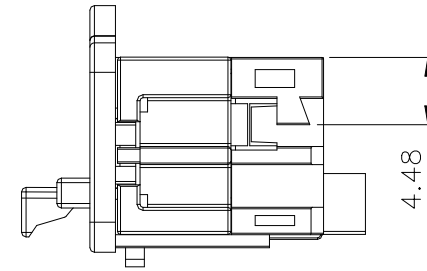
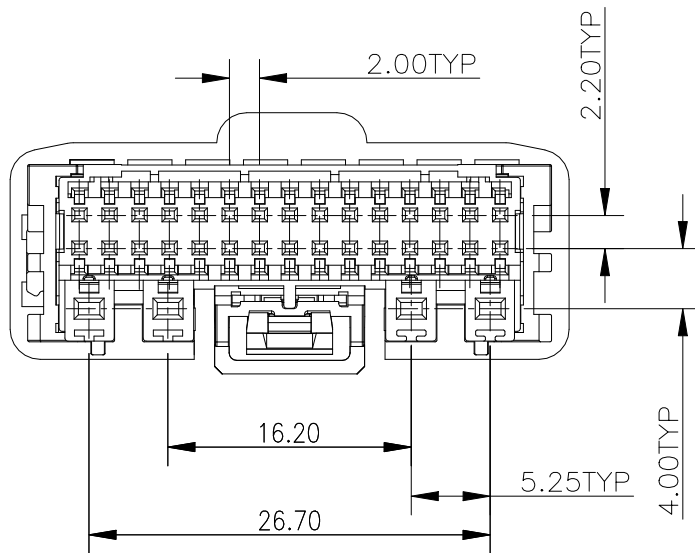
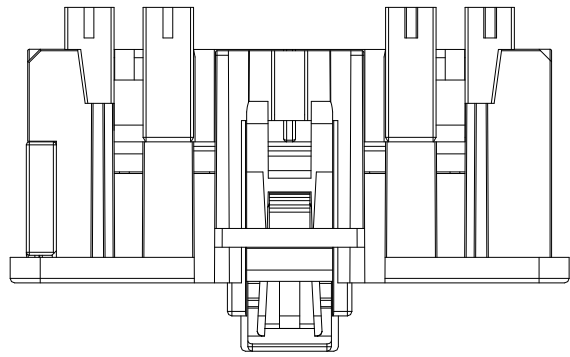
2043 A M - T 34 A4 X - NO XX
 ① ② ③ ④ ⑤ ⑥ ⑦ ⑧ ⑨

- ① Series :2043
- ② Category: A-The secondary lock HSG finished products
- ③ Male female: M - male
- ④ Row number: T-3 row
- ⑤ PIN number: 34 - 34pin
- ⑥ Special code: power supply PIN
- ⑦ Key code:A-Key A ,B-Key B
- ⑧ Material :NO=PA66-GF30
- ⑨ Color: XX = BK - black GY - gray

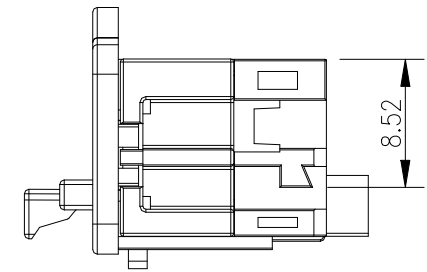
					GENERAL TOLERANCE .X ± 0.35 .XX ± 0.25 .XXX ± 0.15 X.' $\pm 2'$				SMS 东莞市思索技术股份有限公司 Dongguan SESO Technology Co.,Ltd.				PART NO. 2043AM-T34A4X-NOXX				
					APPROVAL PROJECT 				CHECK DRAWN DATE				TITLE 2.0mm Pitch Male Housing				
DATE	REV	ECN NO.	DESCRIPTION	MODIFY	APPROVAL	Jack Zhang	Larry Yang	Dingping Ou	2023/06/20	UNIT	SCALE	SHEET	REV	NUMBER			
						mm	1:1	1/2	X0	CD							

RoHS

This products can apply to the SESO Doc NO. QA-3-04-005 of Environmental&Material Management Rules



2043AM-T34A4A-NOBK



2043AM-T34A4B-NOGY

DATE	REV	ECN NO.	DESCRIPTION	MODIFY	APPROVAL
1					
2					
3					
4					

GENERAL TOLERANCE	
.X	±0.35
.XX	±0.25
.XXX	±0.15
X.	±2°
PROJECT	

SMS 东莞市思索技术股份有限公司
Dongguan SESO Technology Co.,Ltd.

APPROVAL	CHECK	DRAWN	DATE
Jack Zhang	Larry Yang	Dingping Ou	2023/06/20

PART NO.				
2043AM-T34A4X-NOXX				
TITLE				
2.0mm Pitch Male Housing				
UNIT	SCALE	SHEET	REV	NUMBER
mm	1:1	2/2	X0	CD

RoHS

This products can apply to the SESO Doc NO. QA-3-04-005 of Environmental&Material Management Rules

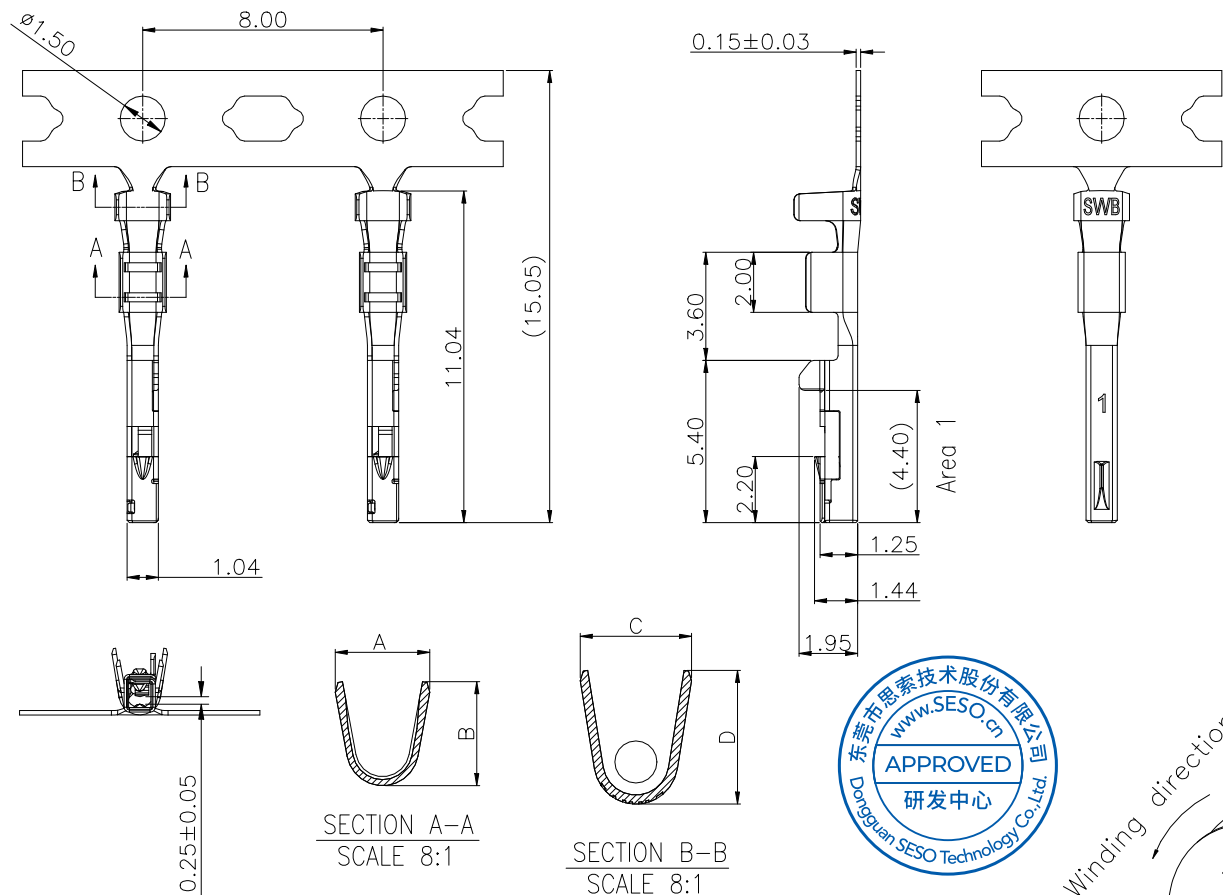
Specifications:

- Current Rating: 4A AC/DC(0.35mm² Wire)
- Temperature Range:-40°C~+125°C
- Contact Resistance:<25mΩ
- Mates With SESO Housing:2043AM-XXX
- Packaging Drawing:PK-2043TF-XXX-P
- Product Specification:PS-2043-P

2043 I X F - H X X

① ②③④ ⑤⑥⑦

- ① Series No.:2043
- ② Category:T-Terminal
- ③ Shape:Blank-Common Feet ;
L-Low Feet
- ④ Connector Type:F-Female terminal
- ⑤ Material:H-LV214 Material
- ⑥ Plating Code: Y2-40~120u"(1~3um) TIN
- ⑦ Plating Process: B-Stamping After Plating
Blank-Stamping Before Plating



2043TLF-HY2B	AWG#30~26 (0.05~0.13mm ²)	∅0.9mm Max	1.14	1.13	1.36	1.56
2043TF-HY2B	AWG#24~22 (0.22~0.35mm ²)	∅1.3mm Max	1.57	1.73	1.85	2.22
Part NO.	Wire Range	Insulation O.D.	DIM A	DIM B	DIM C	DIM D

20230411	X0	/	Initial release	Joshua	Jack Zhang
DATE	REV	ECN NO.	DESCRIPTION	MODIFY	APPROVAL

GENERAL TOLERANCE	
.X	±0.35
.XX	±0.25
.XXX	±0.15
X.	±Z
PROJECT	
Jack Zhang	Jack Zhang

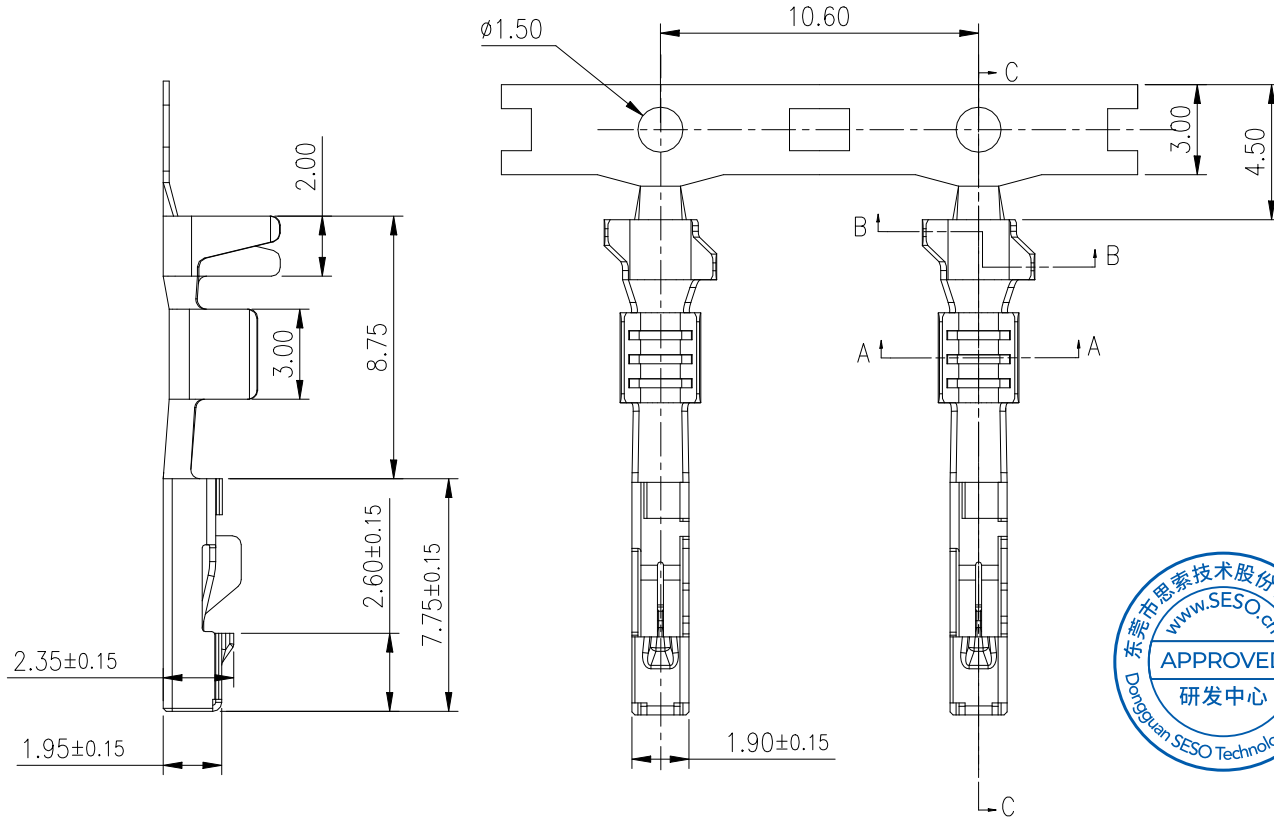
SMS 东莞市思索技术股份有限公司
Dongguan SESO Technology Co.,Ltd.

APPROVAL	CHECK	DRAWN	DATE
Jack Zhang	Larry Yang	Joshua	2023/04/11

PART NO. 2043TXF-HY2B				
TITLE 2.00mm Female Terminal				
UNIT	SCALE	SHEET	REV	NUMBER
mm	4:1	1/1	X0	CD

RoHS

This products can apply to the SESO Doc NO. QA-3-04-005 of Environmental&Material Management Rules



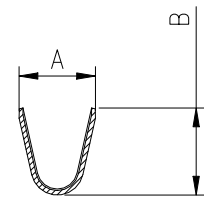
Specifications :

- Voltage rating: 14V AC / DC
- Current rating: 16A Max AWG16
- Contact resistance: ≤10mΩ
- After environmental testing: ≤20mΩ
- Insulation resistance: ≥100MΩ
- Withstanding voltage: 500V AC/minute
- Temperature range: -40°C~+105°C
- Apply to wire diameter: AWG#16~24(1.5~0.22mm²)
OD2.4mm MAX

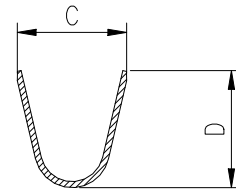
2043 I X -H Y2 B - 01
① ② ③ ④ ⑤ ⑥ ⑦



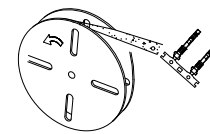
- ① Series :2043
- ② Category:T-Common pin terminal
- ③ Appearance shape:L-Lower the foot (AWG 22~24)
Emptycode-Common foot (AWG 18~22)
H-high the foot (AWG 16~18)
- ④ Material:H-LV214 Material
- ⑤ Plating Code: Y2-40~120u”(1~3um) TIN
- ⑥ Electroplating way: B - First after plating
- ⑦ Sequence Number:01



SECTION B-B
SCALE 2:1



SECTION A-A
SCALE 2:1



Package way

Size(mm)				
Binding moulding	A	B	C	D
2043TH-HY2B-01	2.60	2.90	3.70	3.90
2043T-HY2B-01	2.00	2.10	2.70	2.90
2043TL-HY2B-01	1.80	1.80	2.60	2.60

DATE	REV	ECN NO.	DESCRIPTION	MODIFY	APPROVAL

GENERAL TOLERANCE	
.X	±0.35
.XX	±0.25
.XXX	±0.15
X.' ±Z"	
PROJECT	

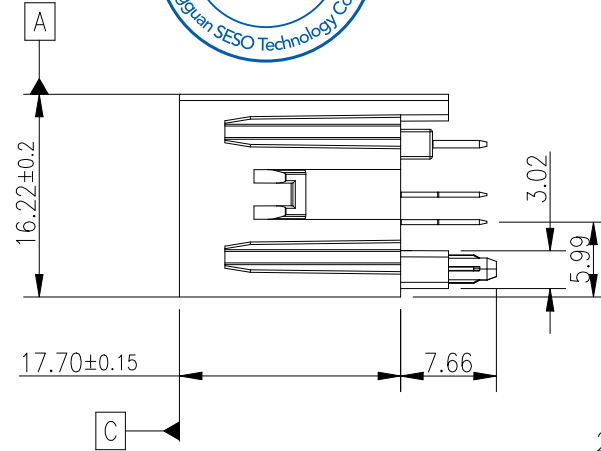
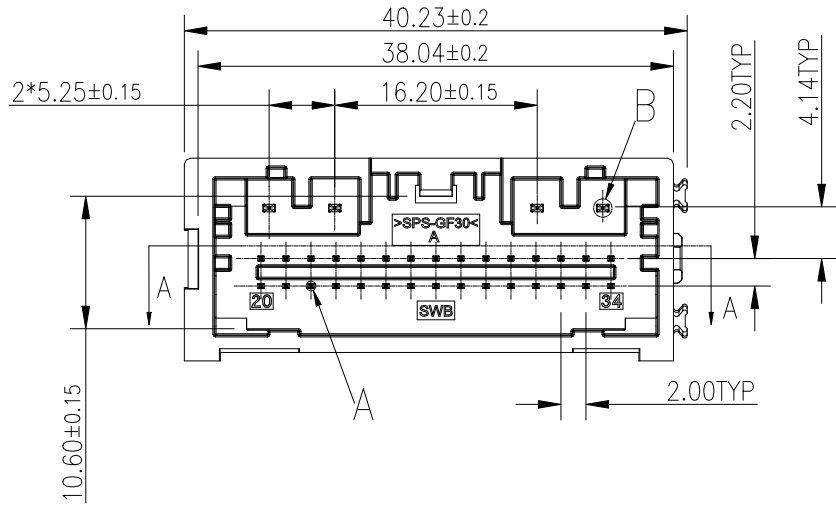
SMS 东莞市思索技术股份有限公司
Dongguan SESO Technology Co.,Ltd.

APPROVAL	CHECK	DRAWN	DATE
Jack Zhang	Larry Yang	Dingping Ou	2022/06/22

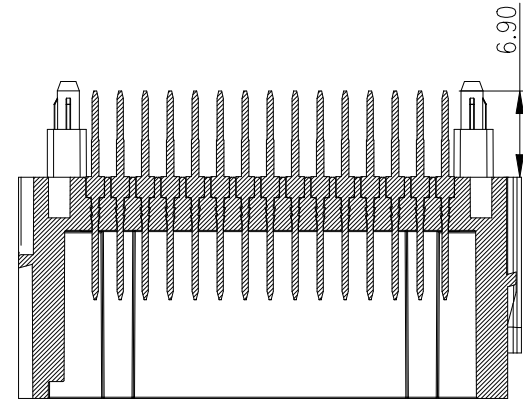
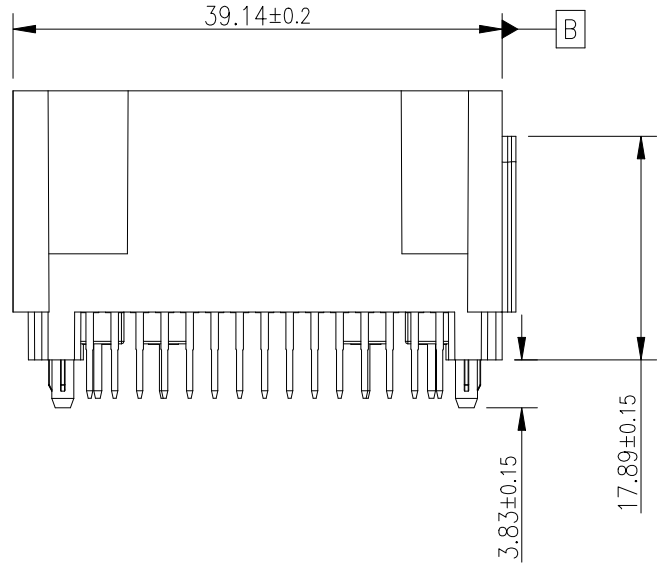
PART NO.				
2043TX-HY2B-01				
TITLE				
2.0mm Terminal				
UNIT	SCALE	SHEET	REV	NUMBER
mm	1:1	1/1	A	CD

RoHS

This products can apply to the SESO Doc NO. QA-3-04-005 of Environmental&Material Management Rules



- Specifications :
- Voltage rating: 14V AC / DC
 - Current rating: 16A Max AWG
 - Contact resistance: $\leq 10\text{m}\Omega$
 - After environmental testing: $\leq 20\text{m}\Omega$
 - Insulation resistance: $\geq 100\text{M}\Omega$
 - Withstanding voltage: 500V AC/minute
 - Temperature range: $-40^{\circ}\text{C}\sim+105^{\circ}\text{C}$



SECTION A-A
SCALE 1:1

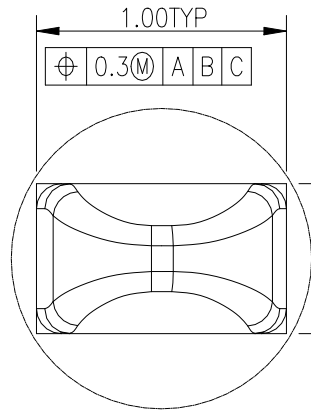
2043 W V-T 34 A4 X-SS SW1 X T
① ② ③ ④ ⑤ ⑥ ⑦ ⑧ ⑨ ⑩ ⑪

- ① Series No:2043
- ② Category:W-wafer
- ③ Outward appearance: V - 180 °
- ④ Row number: 3 row
- ⑤ The PIN number: XX - 34
- ⑥ Special code: power supply PIN
- ⑦ Key code:A-Key A ,B-Key B
- ⑧ Material: SS = SPS - GF30
- ⑨ Plating Code: SW1-Matte Tin
- ⑩ colorX: B - black G - gray
- ⑪ Packing: T - tray

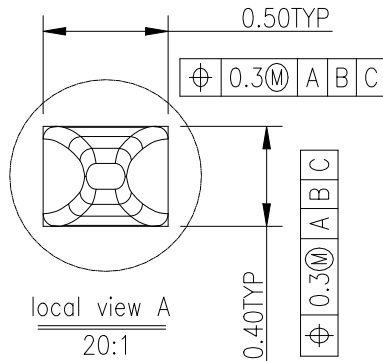
					GENERAL TOLERANCE .X ±0.35 .XX ±0.25 .XXX±0.15 X.' ±2" PROJECT				SMS 东莞市思索技术股份有限公司 Dongguan SESO Technology Co.,Ltd.				PART NO. 2043WV-T34A4X-SSSW1XT TITLE 2.00mm Wafer							
					APPROVAL Jack Zhang				CHECK Larry Yang				DRAWN Dingping Ou				DATE 2022/06/22			
DATE	REV	ECN NO.	DESCRIPTION	MODIFY	APPROVAL	mm		SCALE	SHEET	REV	NUMBER									
	1					1:1		1/2	X0	CD										

RoHS

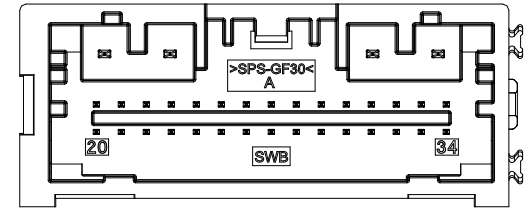
This products can apply to the SESO Doc NO. QA-3-04-005 of Environmental&Material Management Rules



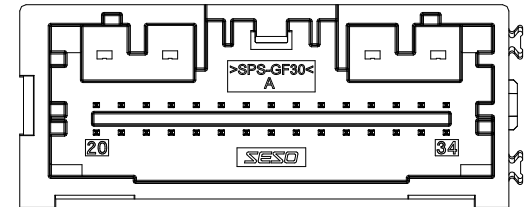
local view B
20:1



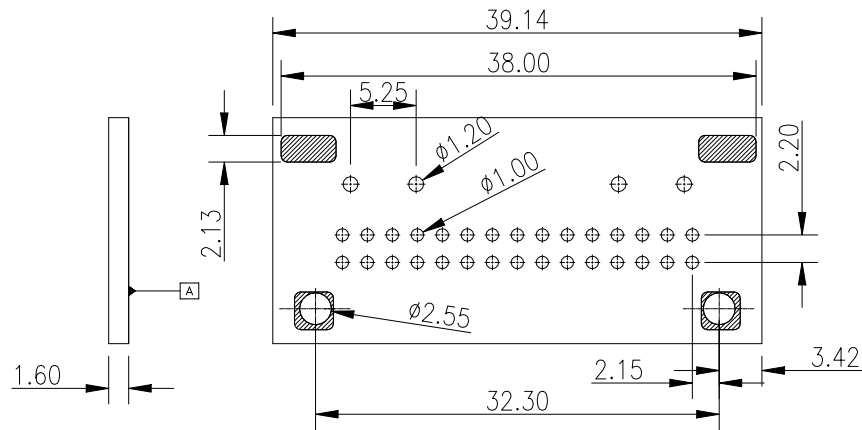
local view A
20:1



2043WV-T34A4A-SSSW1BT



2043WV-T34A4B-SSSW1GT



REFERENCE 34WAY PCB LAYOUT

DATE	REV	ECN NO.	DESCRIPTION	MODIFY	APPROVAL

GENERAL TOLERANCE	
.X	±0.35
.XX	±0.25
.XXX	±0.15
X.' ±2"	
PROJECT	

SMS 东莞市思索技术有限公司
Dongguan SESO Technology Co.,Ltd.

APPROVAL	CHECK	DRAWN	DATE
Jack Zhang	Larry Yang	Dingping Ou	2022/06/22

PART NO. 2043WV-T34A4X-SSSW1XT				
TITLE 2.00mm Wafer				
UNIT	SCALE	SHEET	REV	NUMBER
mm	1:1	2/2	X0	CD