

RoHS

This products can apply to the SESO Doc NO. QA-3-04-005 of Environmental&Material Management Rules

Specifications :

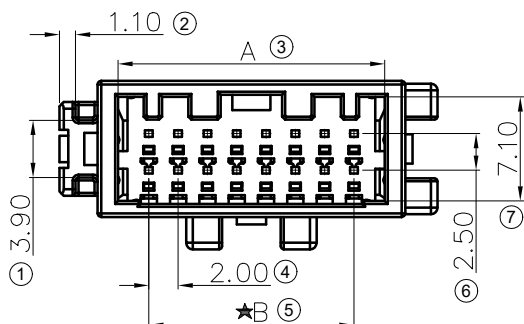
- Voltage rating: 50V Max. AC/DC
- Withstanding voltage: 1000V AC/minute
- Temperature range: -40°C~+125°C
- Insulation resistance: 100MΩ min./500V DC/Minute
- Mates With SESO Terminal: 2024TM-BSN1
- Mates With SESO Housing: 2024AM-2*XX
- Symbols for SPC dimensions: "★"
- Product Specification: PS-2024-01
- Packaging Drawing: PK-2024AF-2*XXX-PTBK

2024 A F- 2*XX X - PT BK

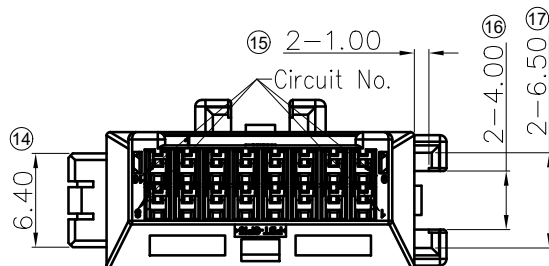
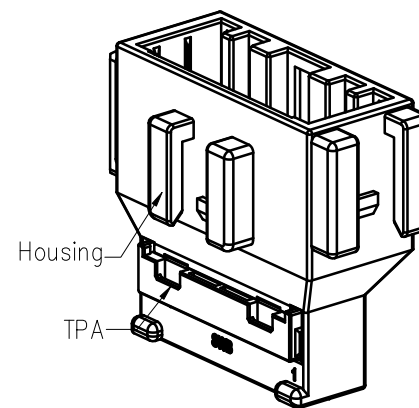
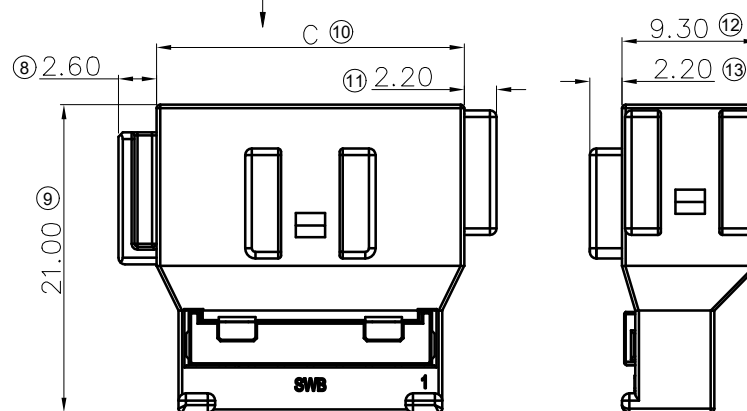
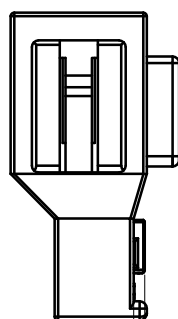
① ② ③ ④ ⑤ ⑥ ⑦

- ① Series No.: 2024
- ② Category: A-Housing Sub-Assembly
- ③ Connector Type: F-Female Housing
- ④ Row No.-Pin No: 2*XX-Double Row 2*02~2*12Pin
- ⑤ Special NO.: Blank-Without card slot
A-With a card slot A
B-With a card slot B
- ⑥ Plastic material: PT-PBT UL94V-0
- ⑦ Color: BK-Black GY-Gray

Poles	Dimensions/mm		
	A	B	C
2*02	6.20	2.00	9.00
2*03	8.20	4.00	11.00
2*04	10.20	6.00	13.00
2*05	12.20	8.00	15.00
2*06	14.20	10.00	17.00
2*07	16.20	12.00	19.00
2*08	18.20	14.00	21.00
2*09	20.20	16.00	23.00
2*10	22.20	18.00	25.00
2*11	24.20	20.00	27.00
2*12	26.20	22.00	29.00
2*13	28.20	24.00	31.00
2*14	30.20	26.00	33.00
2*15	32.20	28.00	35.00
2*16	34.20	30.00	37.00
2*17	36.20	32.00	39.00
2*18	38.20	34.00	41.00
2*19	40.20	36.00	43.00
2*20	42.20	38.00	45.00



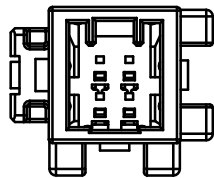
A VIEW



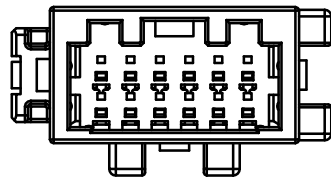
DATE	REV	ECN NO.	DESCRIPTION	MODIFY	APPROVAL	PROJECT	APPROVAL	CHECK	DRAWN	DATE	PART NO.	TITLE	UNIT	SCALE	SHEET	REV	NUMBER				
20221130	A1	/	Update picture box	Yahui Zhang	Zhonghua Liu	GENERAL TOLERANCE	SMS 东莞市思索技术股份有限公司 Dongguan SESO Technology Co.,Ltd.	APPROVAL	CHECK	DRAWN	DATE	2024AF-2*XXX-PTXX	Female Housing Sub-Assy	mm	2:1	1/2	A1	A-000			
20221020	A0	/	Initial release	Yahui Zhang	Meng Yang	.X ±0.35						Jason Huang	Meng Yang	Yahui Zhang	2022/11/30						
						.XX ±0.25															
						.XXX±0.15															
						X' ±2'															
						PROJECT															

RoHS

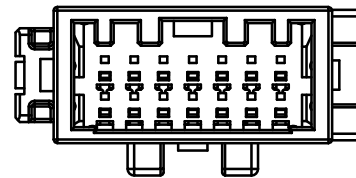
This products can apply to the SESO Doc NO. QA-3-04-005 of Environmental&Material Management Rules



2*02~2*05Pin

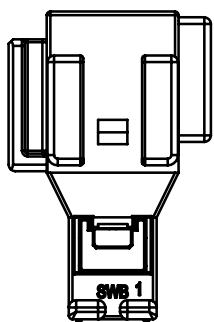


2*06Pin

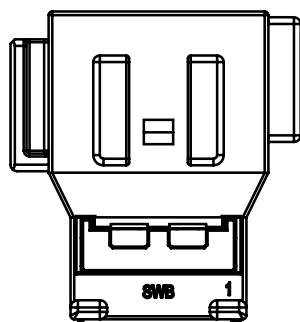


2*07~2*12Pin

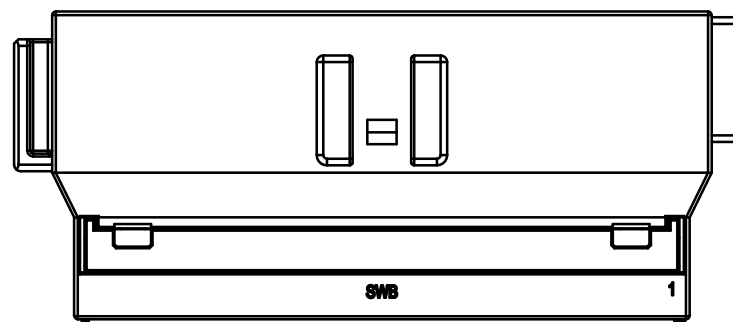
A VIEW



2*02~2*04Pin

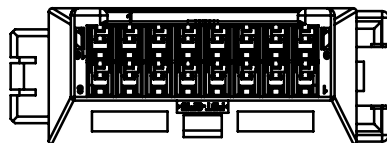


2*05~2*12Pin

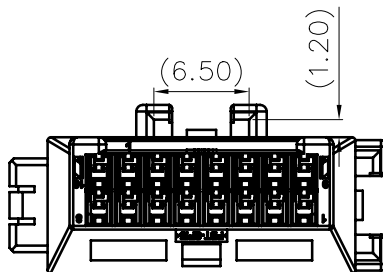


2*13~2*20Pin

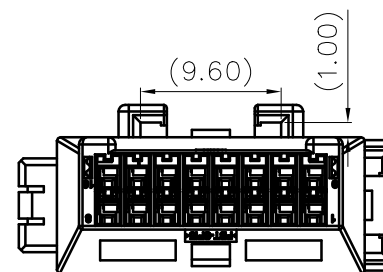
B VIEW



Without card slot
2024AF-2*XX-PTXX



Card slot A
2024AF-2*XXA-PTXX



Card slot B
2024AF-2*XXB-PTXX



					GENERAL TOLERANCE				PART NO. 2024AF-2*XXX-PTXX			
					.X ±0.35				TITLE Female Housing Sub-Assy			
					.XX ±0.25				APPROVAL			
					.XXX±0.15				CHECK			
					X.' ±2'				DRAWN			
					PROJECT				DATE			
					APPROVAL				Jason Huang Meng Yang Yahui Zhang 2022/11/30			
					DATE				UNIT			
					REV				SCALE			
					ECN NO.				SHEET			
					DESCRIPTION				REV			
					MODIFY				NUMBER			
					APPROVAL				mm			
					APPROVAL				2:1			
					APPROVAL				2/2			
					APPROVAL				A1			
					APPROVAL				A-000			

SMS 东莞市思索技术股份有限公司
Dongguan SESO Technology Co.,Ltd.

RoHS

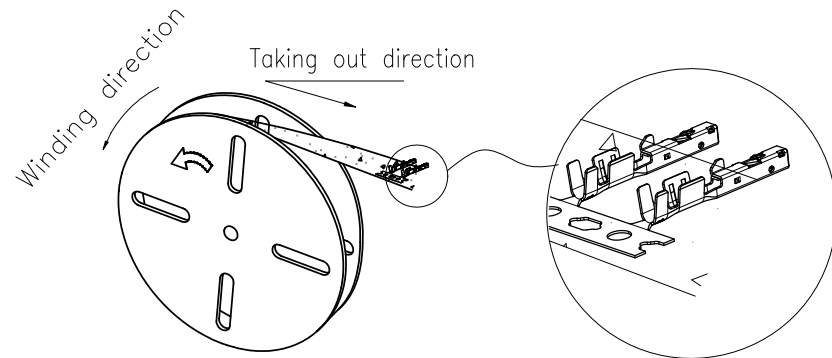
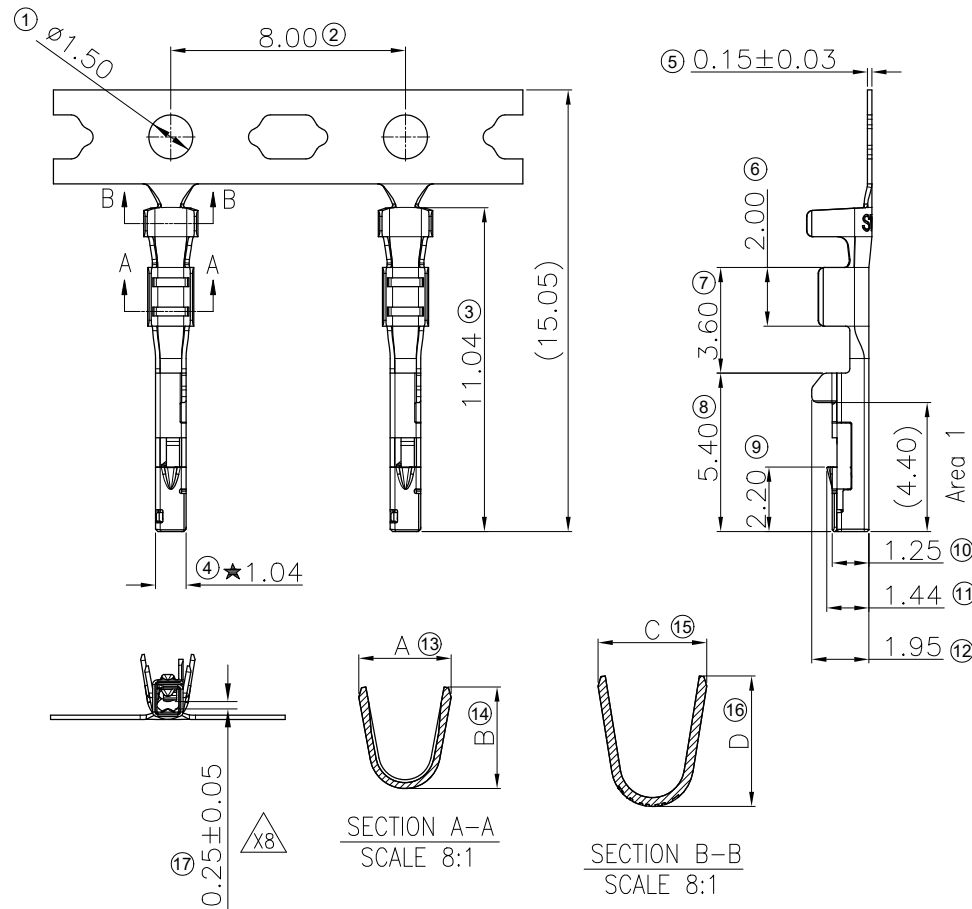
This products can apply to the SESO Doc NO. QA-3-04-005 of Environmental&Material Management Rules

Specifications:

- Current Rating:3A AC/DC(0.35mm² Wire)
- Temperature Range:-40°C~+125°C
- Contact Resistance:<25mΩ(After Testing)
- Mates With SESO Housing:2024AM-XX/2*XX
- Mates With SESO Terminal:2024TM-BSN1
- Packaging Drawing:PK-2024TF-XXX
- Product Specification:PS-2024-01
- Symbols for SPC Dimensions:"★"

2024 I X F - H X X
① ② ③ ④ ⑤ ⑥ ⑦

- ① Series No.:2024
- ② Category:T-Terminal
- ③ Shape:Blank-Common Feet ;
L-Low Feet
- ④ Connector Type:F-Female terminal
- ⑤ Material:H-LV214 Material
- ⑥ Plating Code: Y2-40~120u"(1~3um) TIN
G1-Underplate Ni 40~120u"(1~3um) ;
Area 1 Plating Au 1U"(0.025um)Min
- ⑦ Plating Process: B-Stamping After Plating
Blank-Stamping Before Plating



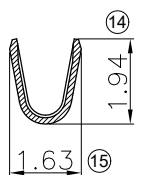
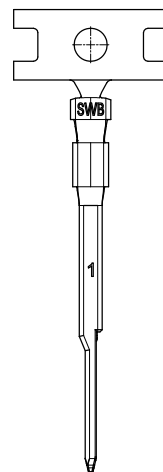
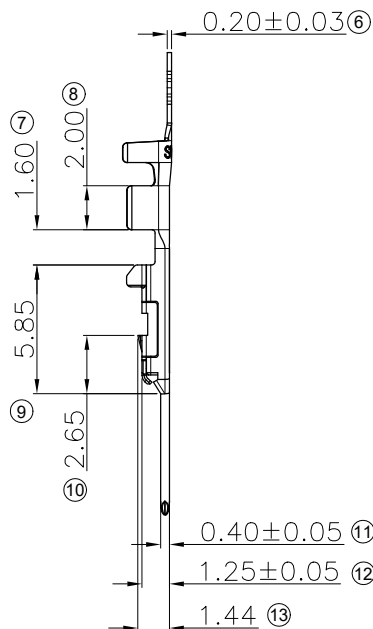
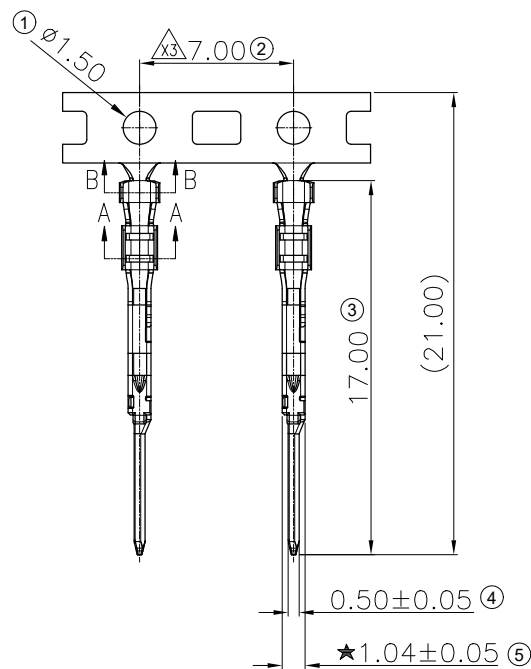
2024TLF-HG1	AWG#30~26 (0.05~0.13mm ²)	∅0.9mm Max	1.14	1.13	1.36	1.56
2024TLF-HY2B						
2024TF-HG1	AWG#24~22 (0.22~0.35mm ²)	∅1.3mm Max	1.57	1.73	1.85	2.22
2024TF-HY2B						
Part NO.	Wire Range	Insulation O.D.	DIM A	DIM B	DIM C	DIM D

20220823	X8	/	Increase the Gap value	Yahui Zhang	Hong Zou
20220516	X7	/	Added low foot size	Cai Zhao	Hong Zou
20220420	X6	/	Cancel the Material:Phosphorous Bronze	Cai Zhao	Hong Zou
DATE	REV	ECN NO.	DESCRIPTION	MODIFY	APPROVAL

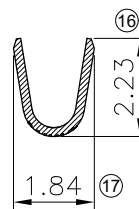
GENERAL TOLERANCE				东莞市思索技术股份有限公司 Dongguan SESO Technology Co.,Ltd.				PART NO.				
.X	±0.35							2024TF-HXX				
.XX	±0.25							TITLE				
.XXX	±0.15							Female Terminal				
X.'	±2'			APPROVAL	CHECK	DRAWN	DATE					
PROJECT				Jason Huang	John Yang	Xiaohu Jiang	2021/05/07	UNIT	SCALE	SHEET	REV	NUMBER
								mm	4:1	1/1	X8	A-000

RoHS

This products can apply to the SESO Doc NO. QA-3-04-005 of Environmental&Material Management Rules



SECTION A-A
SCALE 6:1



SECTION B-B
SCALE 6:1

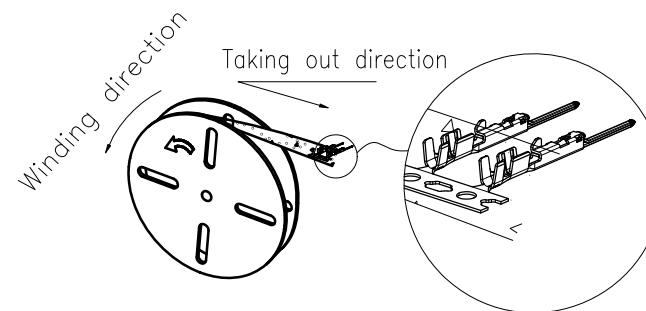
Specifications:

- Current Rating: 3A AC/DC (0.35mm² Wire)
- Temperature Range: -40°C ~ +125°C
- Contact Resistance: <10mΩ (Initial)
<20mΩ (After Testing)

- Mates With SESO Housing: 2024AF-XXX/2*XXX
- Mates With SESO Terminal: 2024TF-HY2B
- Packaging Drawing: PK-2024TM-BSN1
- Product Specification: PS-2024-01
- Symbols for SPC Dimensions: "★"

2024 I M - B SN1
① ② ③ ④ ⑤

- ① Series No.: 2024
- ② Category: T-Terminal
- ③ Connector Type: M-Male terminal
- ④ Material: B-Brass
- ⑤ Plating Code:
SN1-Underplate Ni 40~120u" (1~3um);
Top Plating Sn 80~200u" (2~5um)



2024TM-BSN1	AWG#24~22 (0.22~0.35mm ²)	∅1.3mm Max
Part NO.	Wire Range	Insulation O.D.

A	20220209	X3	/	Correct the Pitch dimension	Cai Zhao	John Yang	SMS 东莞市思索技术股份有限公司 Dongguan SESO Technology Co.,Ltd.	PART NO. 2024TM-BSN1						
	20220105	X2	/	Undate the dimensioning	Cai Zhao	John Yang		TITLE Male Terminal						
	20210507	X1	/	Initial release	Xiaohu Jiang	John Yang		APPROVAL	CHECK	DRAWN	DATE			
	DATE	REV	ECN NO.	DESCRIPTION	MODIFY	APPROVAL		PROJECT	Jason Huang	John Yang	Xiaohu Jiang	2021/05/07		
							UNIT				SCALE	SHEET	REV	NUMBER
							mm				3:1	1/1	X3	A-000

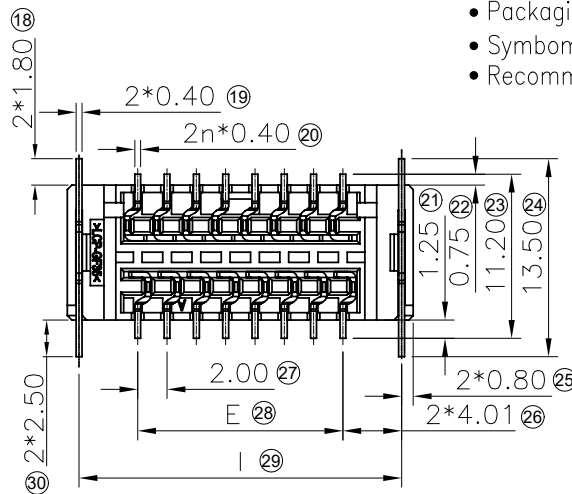
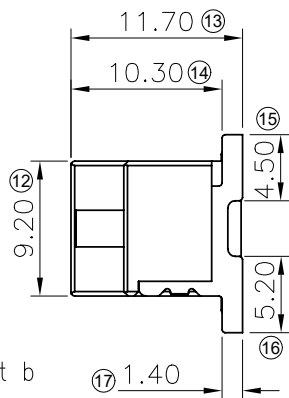
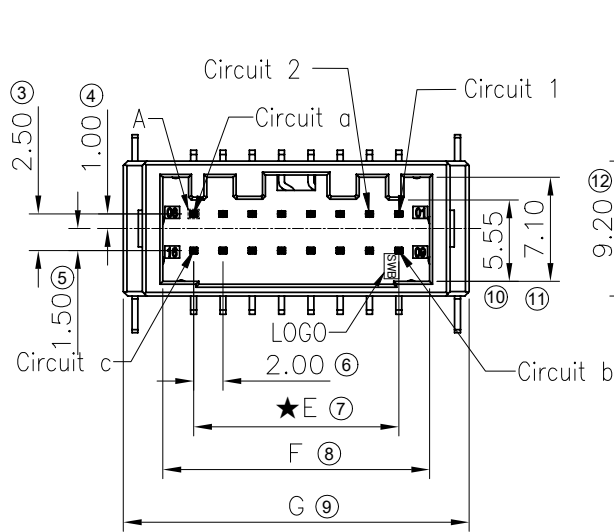
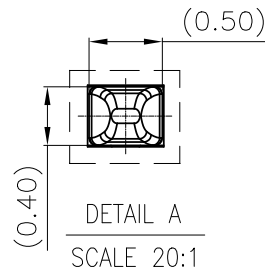
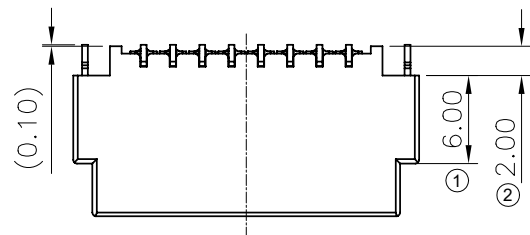
RoHS

This products can apply to the SESO Doc NO. QA-3-04-005 of Environmental&Material Management Rules



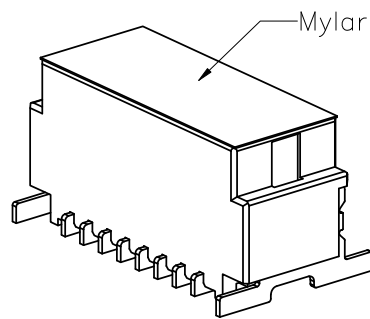
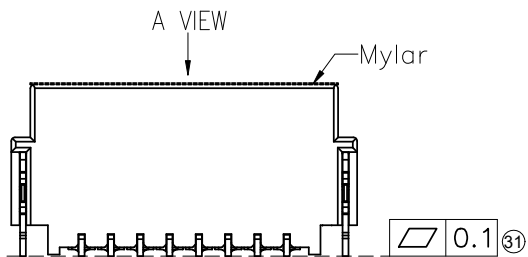
Specifications:

- Voltage Rating:50V AC/DC
- Current Rating:3A AC/DC
- Withstanding Voltage:500V AC/Minute
- Temperature Range:-40°C~+125°C
- Insulation Resistance:100M Ω Min./500V DC/Minute
- Contact Resistance: $\leq 25m\Omega$ (After Testing)
- Mates With Housing:2024AM-2*XX
- Product Specification:PS-2024-01
- Packaging Drawing:PK-2024WVS-2*XX-LPXBR
- Symbols for SPC Dimensions:"★"
- Recommended solder thickness is 0.15mm



2024 W V S-2*XX-LP X B R
① ②③④ ⑤ ⑥ ⑦ ⑧⑨

- ① Series No.:2024
- ② Category:W-Wafer
- ③ Connector Type:V-Straight 180°
- ④ Mounting Type:S-SMT
- ⑤ Row No.-Pin No.:
2*XX-Double Row-2x02Pin~2x20Pin
- ⑥ Plastic Material:LP-LCP (UL94V-0)
- ⑦ Planting Code:SW1-Matte Tin
Underplate:Ni 40~120u"(1~3um) overall
Top Plating:Sn 80~200u"(2~5um) overall
W1-Underplate:Ni 40~120u"(1~3um) overall
Contact area Plating Au 1U"(0.025um)Min
Weld area Plating Sn 80~200u"(2~5um)
- ⑧ Color:B-Black
- ⑨ Packing:R-Reel



20230404	A5	/	Update frame	Yahui Zhang	Zhonghua Liu
20220524	A4	/	Added the mounting thickness of solder paste	Sally Hu	Hong Zou
20220426	A3	/	Added dimensions	Sally Hu	Hong Zou
DATE	REV	ECN NO.	DESCRIPTION	MODIFY	APPROVAL

GENERAL TOLERANCE	
.X	± 0.35
.XX	± 0.25
.XXX	± 0.15
X.'	$\pm 2'$
PROJECT	

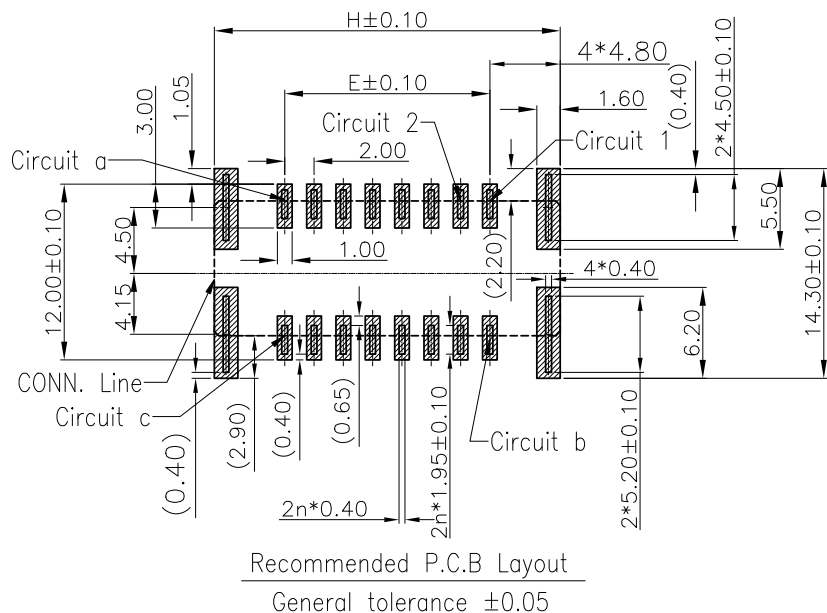
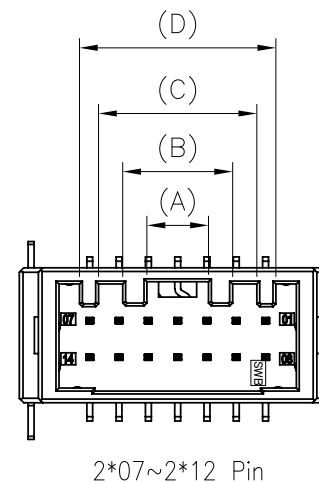
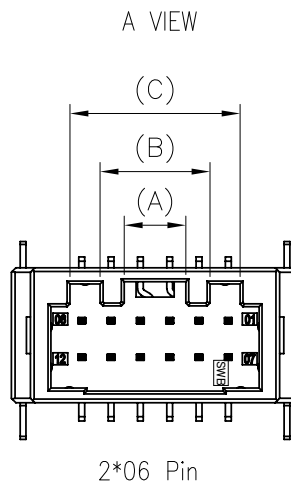
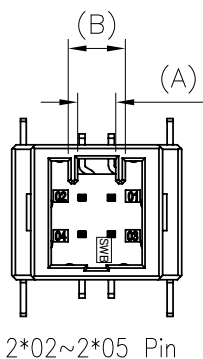
SMS 东莞市思索技术股份有限公司
Dongguan SESO Technology Co.,Ltd.

APPROVAL	CHECK	DRAWN	DATE
Kevin	John Yang	Cai Zhao	2021/03/24

PART NO. 2024WVS-2*XX-LPXBR				
TITLE 2.00mm WF ASSY vertical SMT				
UNIT	SCALE	SHEET	REV	NUMBER
mm	2:1	1/2	A5	A-000

RoHS

This products can apply to the SESO Doc NO. QA-3-04-005 of Environmental&Material Management Rules



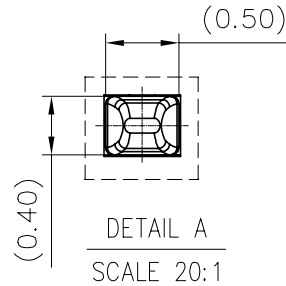
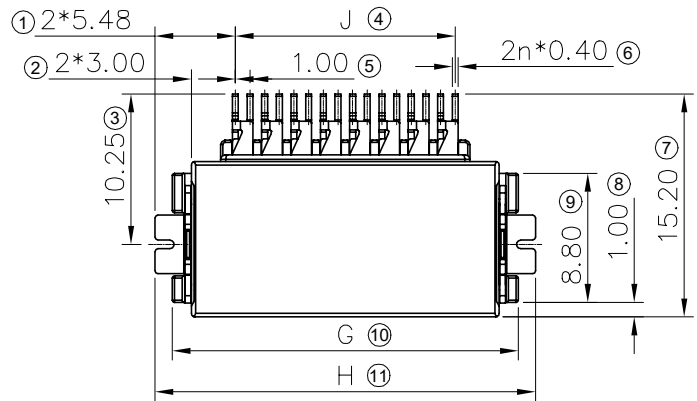
Poles	Dimensions/mm								
	A	B	C	D	E	F	G	H	I
2*02	2.60	3.90	/	/	2.00	6.20	11.60	11.60	10.01
2*03	2.60	5.40	/	/	4.00	8.20	13.60	13.60	12.01
2*04	4.20	6.70	/	/	6.00	10.20	15.60	15.60	14.01
2*05	4.20	7.50	/	/	8.00	12.20	17.60	17.60	16.01
2*06	4.20	7.50	11.60	/	10.00	14.20	19.60	19.60	18.01
2*07	4.20	7.50	10.80	13.40	12.00	16.20	21.60	21.60	20.01
2*08	4.20	8.60	12.20	14.70	14.00	18.20	23.60	23.60	22.01
2*09	6.30	9.50	13.10	16.60	16.00	20.20	25.60	25.60	24.01
2*10	6.30	10.50	16.30	18.60	18.00	22.20	27.60	27.60	26.01
2*11	6.30	9.40	14.20	18.70	20.00	24.20	29.60	29.60	28.01
2*12	6.30	10.50	16.10	20.70	22.00	26.20	31.60	31.60	30.01
2*13	6.30	10.50	16.10	22.70	24.00	28.20	33.60	33.60	32.01
2*14	6.30	10.50	16.10	24.70	26.00	30.20	35.60	35.60	34.01
2*15	6.30	10.50	16.10	26.70	28.00	32.20	37.60	37.60	36.01
2*16	6.30	10.50	16.10	28.70	30.00	34.20	39.60	39.60	38.01
2*17	6.30	10.50	16.10	30.70	32.00	36.20	41.60	41.60	40.01
2*18	6.30	10.50	16.10	32.70	34.00	38.20	43.60	43.60	42.01
2*19	6.30	10.50	16.10	34.70	36.00	40.20	45.60	45.60	44.01
2*20	6.30	10.50	16.10	36.70	38.00	42.20	47.60	47.60	46.01

20230404	A5	/	Update frame	Yahui Zhang	Zhonghua Liu
20220524	A4	/	Added the mounting thickness of solder paste	Sally Hu	Hong Zou
20220426	A3	/	Added dimensions	Sally Hu	Hong Zou
DATE	REV	ECN NO.	DESCRIPTION	MODIFY	APPROVAL

GENERAL TOLERANCE				东莞市思索技术股份有限公司 Dongguan SESO Technology Co.,Ltd.				PART NO.				
.X	±0.35	.XX	±0.25					2024WVS-2*XX-LPXBR				
.XXX	±0.15	X.' ±2'		TITLE								
PROJECT	Kevin	John Yang	Cai Zhao	2021/03/24	2.00mm WF ASSY vertical SMT							
				APPROVAL	CHECK	DRAWN	DATE	UNIT	SCALE	SHEET	REV	NUMBER
								mm	2:1	2/2	A5	A-000

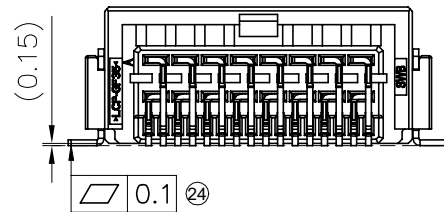
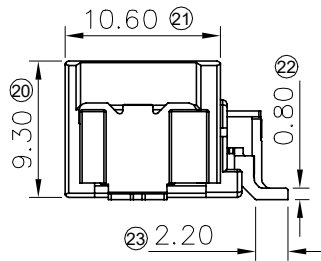
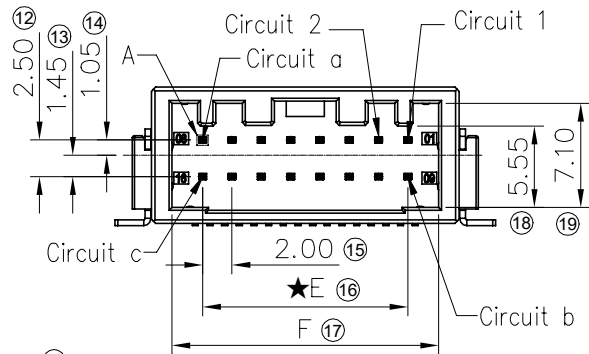
RoHS

This products can apply to the SESO Doc NO. QA-3-04-005 of Environmental&Material Management Rules



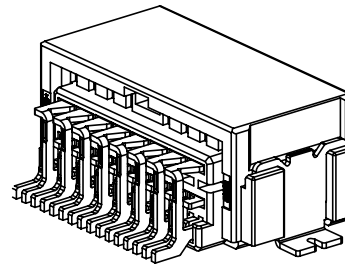
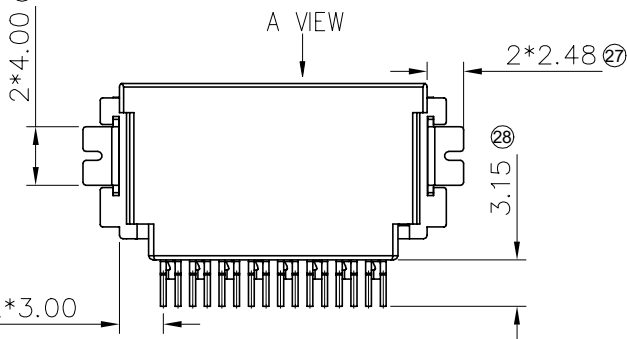
Specifications:

- Voltage Rating: 50V AC/DC
- Current Rating: 3A AC/DC
- Withstanding Voltage: 500V AC/Minute
- Temperature Range: -40°C~+125°C
- Insulation Resistance: 100MΩ Min./500V DC/Minute
- Contact Resistance: $\leq 25m\Omega$ (After Testing)
- Mates With Housing: 2024AM-2*XXX
- Product Specification: PS-2024-01
- Packaging Drawing: PK-2024WRS-2*XXX-LPXBR
- Symbols for SPC Dimensions: "★"
- Recommended solder thickness is 0.15mm



2024 W R S-2*XX-LP X B R
① ② ③ ④ ⑤ ⑥ ⑦ ⑧ ⑨

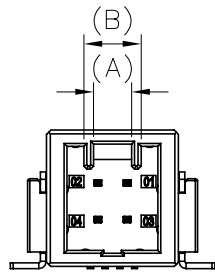
- ① Series No.: 2024
- ② Category: W-Wafer
- ③ Connector Type: R-Right Angle 90°
- ④ Mouting Type: S-SMT
- ⑤ Row No.-Pin No.:
2*XX-Double Row-2x02Pin~2x20Pin
- ⑥ Plastic Material: LP-LCP (UL94V-0)
- ⑦ Planting Code: SW1-Matte Tin
Underplate: Ni 40~120u"(1~3um) overall
Top Plating: Sn 80~200u"(2~5um) overall
W1-Underplate: Ni 40~120u"(1~3um) overall
Contact area Plating Au 1U"(0.025um)Min
Weld area Plating Sn 80~200u"(2~5um)
- ⑧ Color: B-Black
- ⑨ Packing: R-Reel



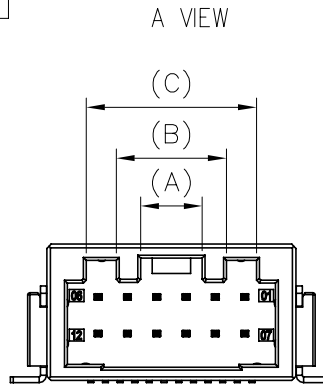
20230819	A5	/	Update frame	Yahui Zhang	Larry Yang	GENERAL TOLERANCE .X ±0.35 .XX ±0.25 .XXX±0.15 X.' ±2' PROJECT 	东莞市思索技术股份有限公司 Dongguan SESO Technology Co.,Ltd.				PART NO. 2024WRS-2*XX-LPXBR							
20220524	A4	/	Added the mounting thickness of solder paste	Sally Hu	Hong Zou						TITLE 2.00mm WF ASSY right-angle SMT							
20220426	A3	/	Added dimensions	Sally Hu	Hong Zou						APPROVAL	CHECK	DRAWN	DATE				
DATE	REV	ECN NO.	DESCRIPTION	MODIFY	APPROVAL						Kevin	John Yang	Cai Zhao	2021/03/23	UNIT	SCALE	SHEET	REV
										mm	1:1	1/2	A5	CD				

RoHS

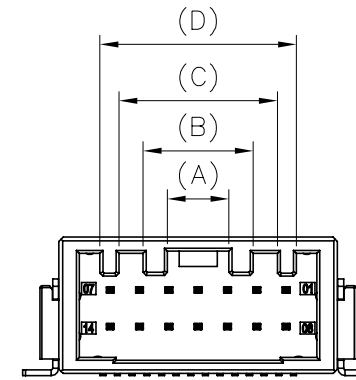
This products can apply to the SESO Doc NO. QA-3-04-005 of Environmental&Material Management Rules



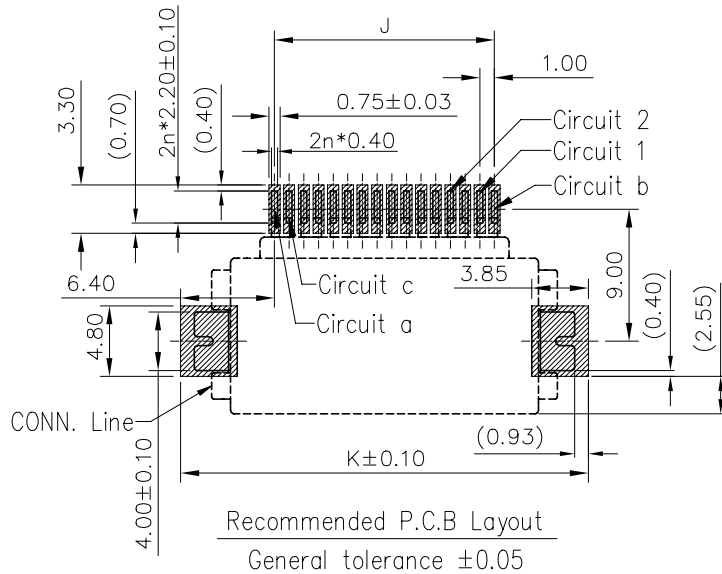
2*02~2*05 Pin



2*06 Pin



2*07~2*20 Pin



Poles	Dimensions/mm									
	A	B	C	D	E	F	G	H	J	K
2*02	2.60	3.90	/	/	2.00	6.20	11.60	13.95	3.00	15.80
2*03	2.60	5.40	/	/	4.00	8.20	13.60	15.95	5.00	17.80
2*04	4.20	6.70	/	/	6.00	10.20	15.60	17.95	7.00	19.80
2*05	4.20	7.50	/	/	8.00	12.20	17.60	19.95	9.00	21.80
2*06	4.20	7.50	11.60	/	10.00	14.20	19.60	21.95	11.00	23.80
2*07	4.20	7.50	10.80	13.40	12.00	16.20	21.60	23.95	13.00	25.80
2*08	4.20	8.60	12.20	14.70	14.00	18.20	23.60	25.95	15.00	27.80
2*09	6.30	9.50	13.10	16.60	16.00	20.20	25.60	27.95	17.00	29.80
2*10	6.30	10.50	16.30	18.60	18.00	22.20	27.60	29.95	19.00	31.80
2*11	6.30	9.40	14.20	18.70	20.00	24.20	29.60	31.95	21.00	33.80
2*12	6.30	10.50	16.10	20.70	22.00	26.20	31.60	33.95	23.00	35.80
2*13	6.30	10.50	16.10	22.70	24.00	28.20	33.60	35.95	25.00	37.80
2*14	6.30	10.50	16.10	24.70	26.00	30.20	35.60	37.95	27.00	39.80
2*15	6.30	10.50	16.10	26.70	28.00	32.20	37.60	39.95	29.00	41.80
2*16	6.30	10.50	16.10	28.70	30.00	34.20	39.60	41.95	31.00	43.80
2*17	6.30	10.50	16.10	30.70	32.00	36.20	41.60	43.95	33.00	45.80
2*18	6.30	10.50	16.10	32.70	34.00	38.20	43.60	45.95	35.00	47.80
2*19	6.30	10.50	16.10	34.70	36.00	40.20	45.60	47.95	37.00	49.80
2*20	6.30	10.50	16.10	36.70	38.00	42.20	47.60	49.95	39.00	51.80

20230819	A5	/	Map update	Yahui Zhang	Larry Yang
20220524	A4	/	Added the mounting thickness of solder paste	Sally Hu	Hong Zou
20220426	A3	/	Added dimensions	Sally Hu	Hong Zou
DATE	REV	ECN NO.	DESCRIPTION	MODIFY	APPROVAL

GENERAL TOLERANCE	
.X	±0.35
.XX	±0.25
.XXX	±0.15
X.' ±2'	
PROJECT	

SMS 东莞市思索技术股份有限公司
Dongguan SESO Technology Co.,Ltd.

APPROVAL	CHECK	DRAWN	DATE
Kevin	John Yang	Cai Zhao	2021/03/23

PART NO.				
2024WRS-2*XX-LPXBR				
TITLE				
2.00mm WF ASSY right-angle SMT				
UNIT	SCALE	SHEET	REV	NUMBER
mm	1:1	2/2	A5	CD