

RoHS

This products can apply to the SESO Doc NO. QA-3-04-005 of Environmental&Material Management Rules

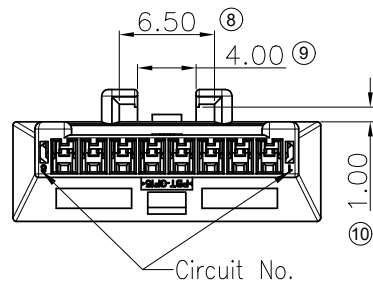
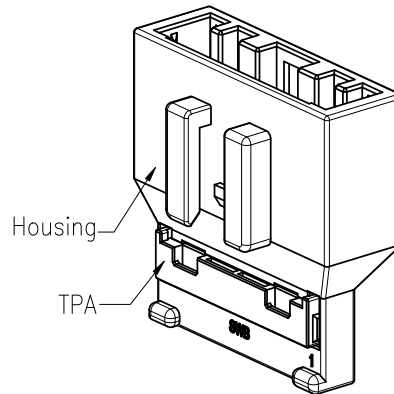
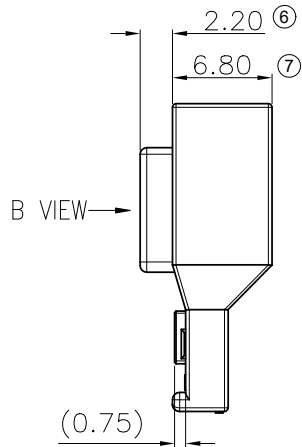
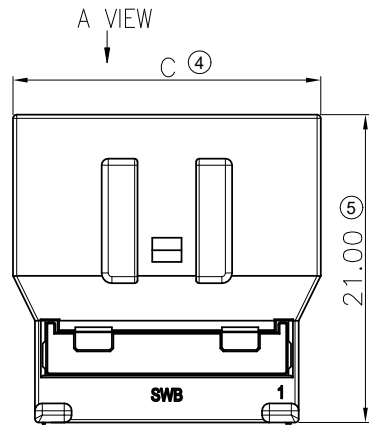
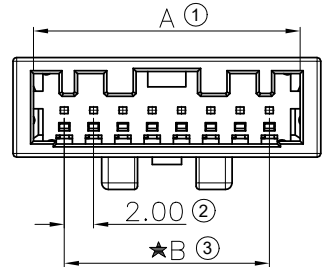


2024 A F- XX X - PT BK
① ②③ ④ ⑤ ⑥ ⑦

- ① Series No.: 2024
- ② Category: A-Housing Sub-Assembly
- ③ Connector Type: F-Female Housing
- ④ Row No.-Pin No: XX-Single Row 02~12Pin
- ⑤ Special NO.: A-With a card slot
Blank-Without card slot
- ⑥ Plastic material: PT-PBT UL94V-0
- ⑦ Color: BK-Black

Specifications :

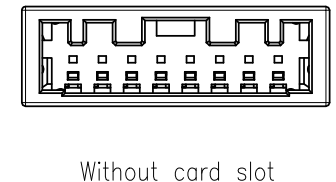
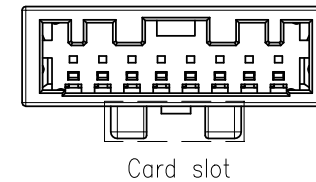
- Voltage rating: 50V Max. AC/DC
- Withstanding voltage: 1000V AC/minute
- Temperature range: -40°C~+125°C
- Insulation resistance: 100MΩ min./500V DC/Minute
- Mates With SESO Terminal: 2024TM-BSN1
- Mates With SESO Housing: 2024AM-XX
- Symbols for SPC dimensions: " ★ "
- Product Specification: PS-2024-01
- Packaging Drawing: PK-2024AF-XXX-PTBK



B VIEW

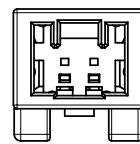
2024AF-XXA-PTBK

2024AF-XX-PTBK

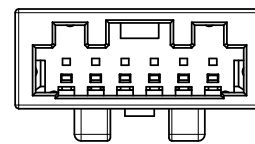


Card slot

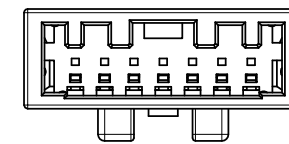
Without card slot



02~05Pin



06Pin



07~12Pin

A VIEW

Poles	Dimensions/mm		
	A	B	C
02	6.20	2.00	9.00
03	8.20	4.00	11.00
04	10.20	6.00	13.00
05	12.20	8.00	15.00
06	14.20	10.00	17.00
07	16.20	12.00	19.00
08	18.20	14.00	21.00
09	20.20	16.00	23.00
10	22.20	18.00	25.00
11	24.20	20.00	27.00
12	26.20	22.00	29.00

20230403	X3	/	Update code	Yahui Zhang	Zhonghua Liu	东莞市思索技术股份有限公司 Dongguan SESO Technology Co.,Ltd.				PART NO. 2024AF-XXX-PTBK					
20220105	X2	/	Add the A VIEW and change of the Part NO.	Cai Zhao	John Yang					TITLE Female Housing Sub-Assy					
20210507	X1	/	Initial release	Xiaohu Jiang	John Yang					APPROVAL	CHECK	DRAWN	DATE	UNIT SCALE SHEET REV NUMBER	
DATE	REV	ECN NO.	DESCRIPTION	MODIFY	APPROVAL	PROJECT	Jason Huang	John Yang	Xiaohu Jiang	2021/05/07	mm	2:1	1/1	X3	A-000

RoHS

This products can apply to the SESO Doc NO. QA-3-04-005 of Environmental&Material Management Rules

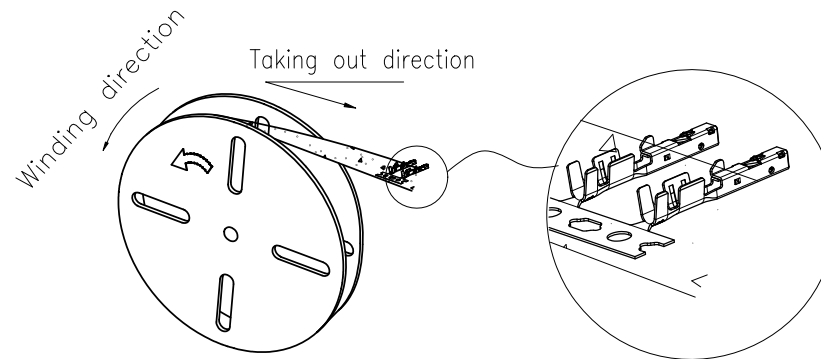
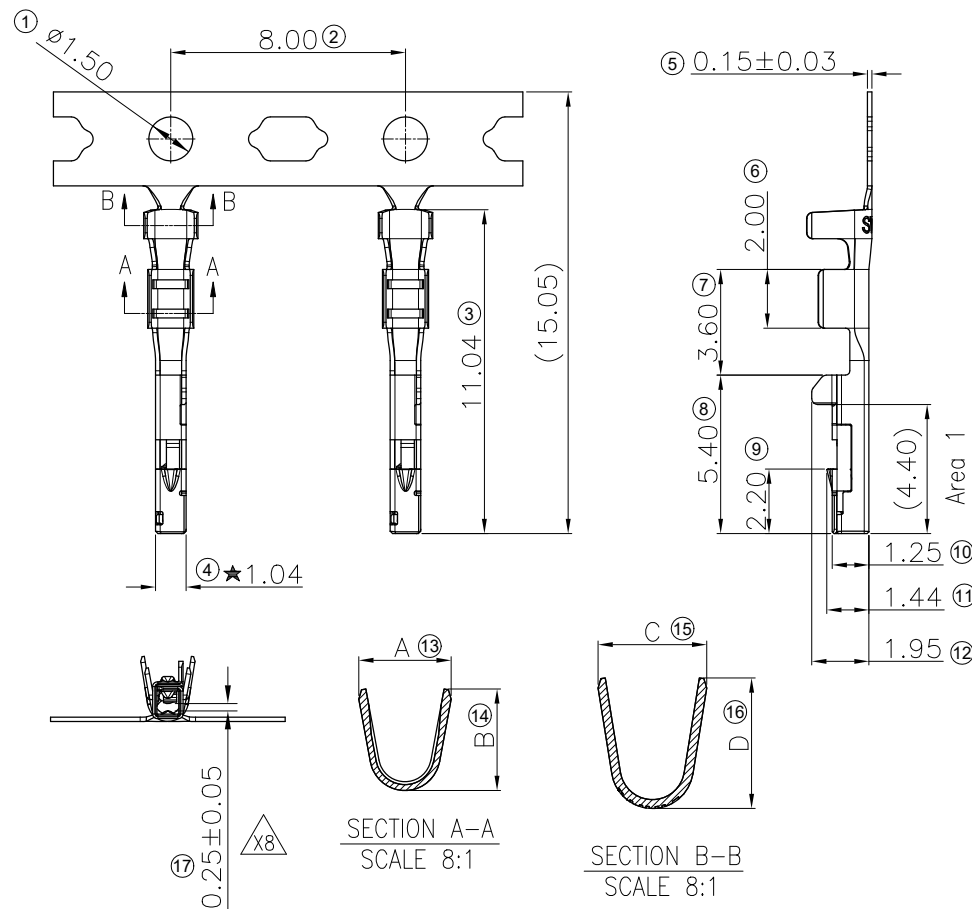
Specifications:

- Current Rating:3A AC/DC(0.35mm² Wire)
- Temperature Range:-40°C~+125°C
- Contact Resistance:<25mΩ(After Testing)
- Mates With SESO Housing:2024AM-XX/2*XX
- Mates With SESO Terminal:2024TM-BSN1
- Packaging Drawing:PK-2024TF-XXX
- Product Specification:PS-2024-01
- Symbols for SPC Dimensions:"★"



2024 I X F - H X X
① ② ③ ④ ⑤ ⑥ ⑦

- ① Series No.:2024
- ② Category:T-Terminal
- ③ Shape:Blank-Common Feet ;
L-Low Feet
- ④ Connector Type:F-Female terminal
- ⑤ Material:H-LV214 Material
- ⑥ Plating Code: Y2-40~120u"(1~3um) TIN
G1-Underplate Ni 40~120u"(1~3um) ;
Area 1 Plating Au 1U"(0.025um)Min
- ⑦ Plating Process: B-Stamping After Plating
Blank-Stamping Before Plating



2024TLF-HG1	AWG#30~26 (0.05~0.13mm ²)	∅0.9mm Max	1.14	1.13	1.36	1.56
2024TLF-HY2B						
2024TF-HG1	AWG#24~22 (0.22~0.35mm ²)	∅1.3mm Max	1.57	1.73	1.85	2.22
2024TF-HY2B						
Part NO.	Wire Range	Insulation O.D.	DIM A	DIM B	DIM C	DIM D

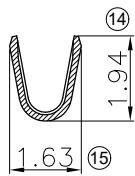
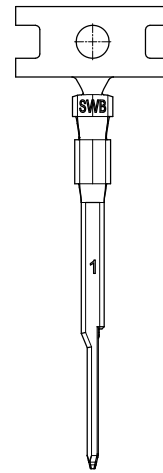
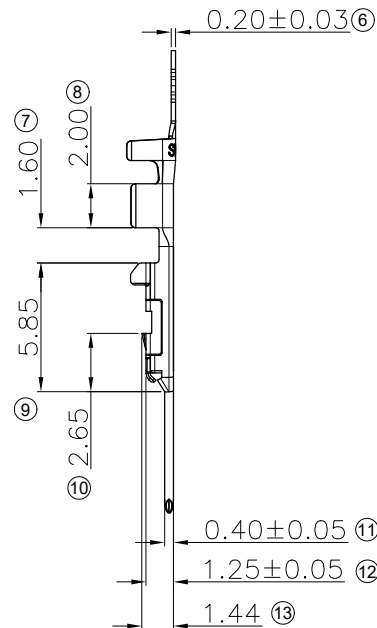
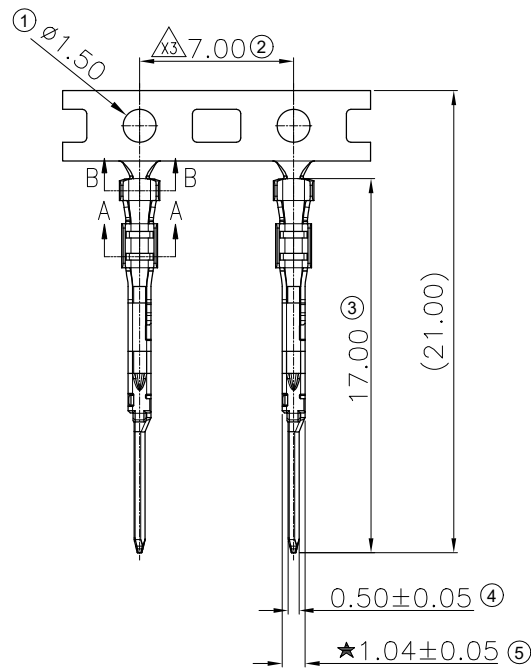
20220823	X8	/	Increase the Gap value	Yahui Zhang	Hong Zou
20220516	X7	/	Added low foot size	Cai Zhao	Hong Zou
20220420	X6	/	Cancel the Material:Phosphorous Bronze	Cai Zhao	Hong Zou
DATE	REV	ECN NO.	DESCRIPTION	MODIFY	APPROVAL

GENERAL TOLERANCE				东莞市思索技术股份有限公司 Dongguan SESO Technology Co.,Ltd.			
.X ±0.35							
.XX ±0.25							
.XXX±0.15							
X.' ±2'				APPROVAL	CHECK	DRAWN	DATE
PROJECT				Jason Huang	John Yang	Xiaohu Jiang	2021/05/07

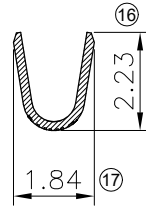
PART NO.				
2024TF-HXX				
TITLE				
Female Terminal				
UNIT	SCALE	SHEET	REV	NUMBER
mm	4:1	1/1	X8	A-000

RoHS

This products can apply to the SESO Doc NO. QA-3-04-005 of Environmental&Material Management Rules



SECTION A-A
SCALE 6:1



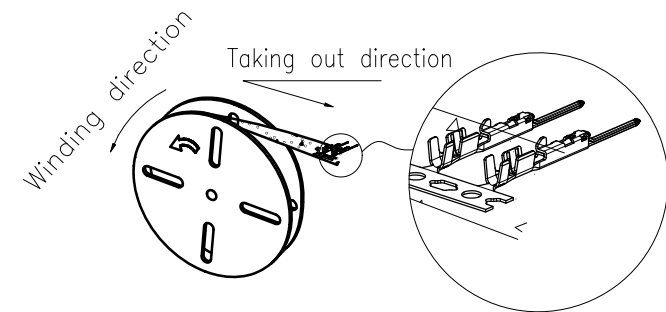
SECTION B-B
SCALE 6:1

Specifications:

- Current Rating: 3A AC/DC (0.35mm² Wire)
- Temperature Range: -40°C ~ +125°C
- Contact Resistance: <10mΩ (Initial)
<20mΩ (After Testing)
- Mates With SESO Housing: 2024AF-XXX/2*XXX
- Mates With SESO Terminal: 2024TF-HY2B
- Packaging Drawing: PK-2024TM-BSN1
- Product Specification: PS-2024-01
- Symbols for SPC Dimensions: "★"

2024 I M - B SN1
① ② ③ ④ ⑤

- ① Series No.: 2024
- ② Category: T-Terminal
- ③ Connector Type: M-Male terminal
- ④ Material: B-Brass
- ⑤ Plating Code:
SN1-Underplate Ni 40~120u"(1~3um);
Top Plating Sn 80~200u"(2~5um)



2024TM-BSN1	AWG#24~22 (0.22~0.35mm ²)	∅1.3mm Max
Part NO.	Wire Range	Insulation O.D.

A	20220209	X3	/	Correct the Pitch dimension	Cai Zhao	John Yang	SMS 东莞市思索技术股份有限公司 Dongguan SESO Technology Co.,Ltd.	PART NO. 2024TM-BSN1						
	20220105	X2	/	Undate the dimensioning	Cai Zhao	John Yang		TITLE Male Terminal						
	20210507	X1	/	Initial release	Xiaohu Jiang	John Yang		APPROVAL	CHECK	DRAWN	DATE			
	DATE	REV	ECN NO.	DESCRIPTION	MODIFY	APPROVAL		PROJECT	Jason Huang	John Yang	Xiaohu Jiang	2021/05/07		
							UNIT				SCALE	SHEET	REV	NUMBER
							mm				3:1	1/1	X3	A-000

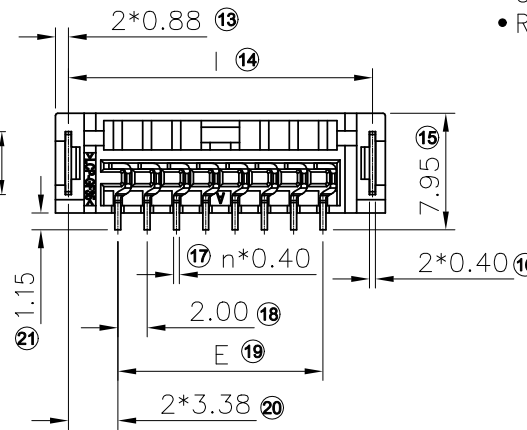
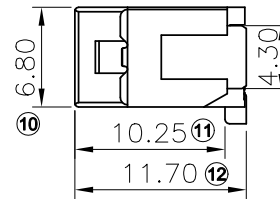
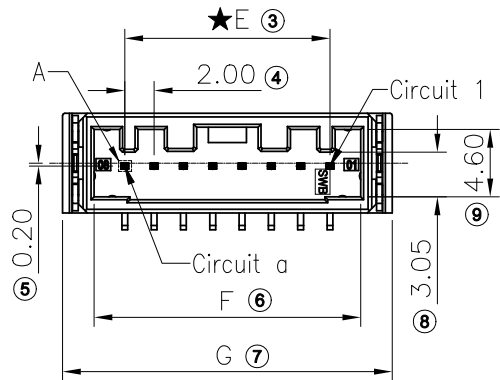
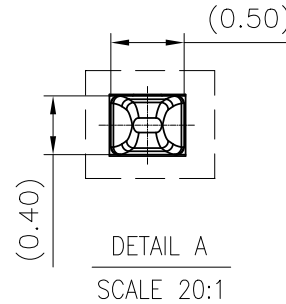
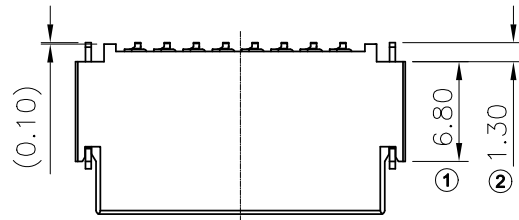
RoHS

This products can apply to the SESO Doc NO. QA-3-04-005 of Environmental&Material Management Rules



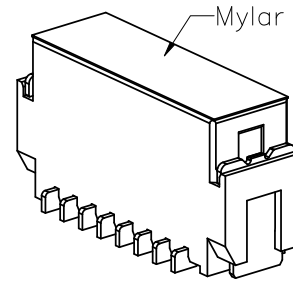
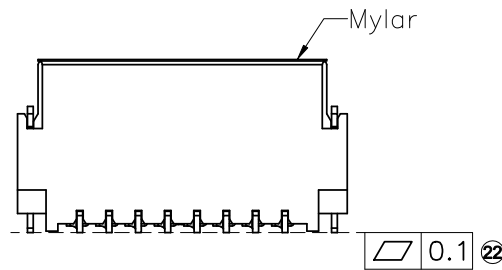
Specifications:

- Voltage Rating:50V AC/DC
- Current Rating:3A AC/DC
- Withstanding Voltage:500V AC/Minute
- Temperature Range:-40°C~+125°C
- Insulation Resistance:100M Ω Min./500V DC/Minute
- Contact Resistance: \leq 25m Ω (After Testing)
- Mates With Housing:2024AM-XX
- Product Specification:PS-2024-01
- Packaging Drawing:PK-2024WVS-XX-LPXBR
- Symbols for SPC Dimensions:"★"
- Recommended solder thickness is 0.15mm



2024 W V S-XX-LP X B R
① ② ③ ④ ⑤ ⑥ ⑦ ⑧ ⑨

- ① Series No.:2024
- ② Category:W-Wafer
- ③ Connector Type:V-Straight 180°
- ④ Mounting Type:S-SMT
- ⑤ Row No.-Pin No.:
XX-Single Row-02Pin~12Pin
- ⑥ Plastic Material:LP-LCP (UL94V-0)
- ⑦ Planting Code:SW1-Matte Tin
Underplate:Ni 40~120u"(1~3um) overall
Top Plating:Sn 80~200u"(2~5um) overall
W1-Underplate:Ni 40~120u"(1~3um) overall
Contact area Plating Au 1U"(0.025um)Min
Weld area Plating Sn 80~200u"(2~5um)
- ⑧ Color:B-Black
- ⑨ Packing:R-Reel



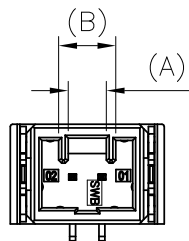
20220524	A4	/	Added the mounting thickness of solder paste	Sally Hu	Hong Zou	GENERAL TOLERANCE .X \pm 0.35 .XX \pm 0.25 .XXX \pm 0.15 X.' \pm 2' PROJECT 	东莞市思索技术股份有限公司 Dongguan SESO Technology Co.,Ltd.				PART NO. 2024WVS-XX-LPXBR				
20220426	A3	/	Added dimensions	Sally Hu	Hong Zou						TITLE 2.00mm WF ASSY vertical SMT				
20220421	A2	/	Update the PCB LAYOUT	Cai Zhao	Hong Zou		APPROVAL	CHECK	DRAWN	DATE					
DATE	REV	ECN NO.	DESCRIPTION	MODIFY	APPROVAL		Kevin	John Yang	Cai Zhao	2021/03/25	UNIT	SCALE	SHEET	REV	NUMBER
										mm	2:1	1/2	A4	A-000	

RoHS

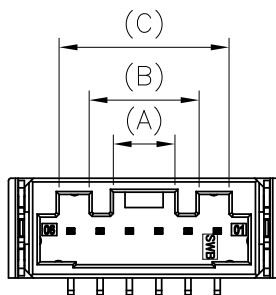
This products can apply to the SESO Doc NO. QA-3-04-005 of Environmental&Material Management Rules



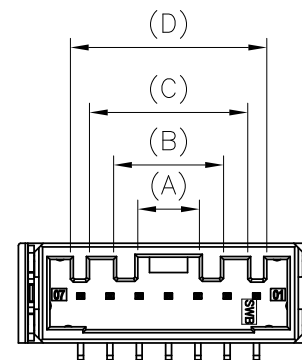
A VIEW



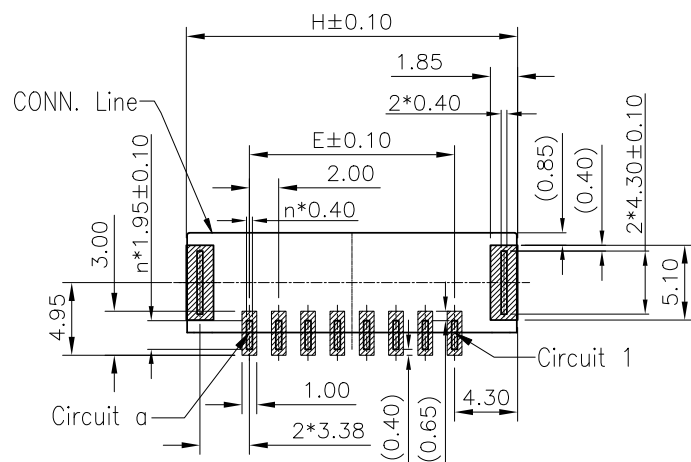
02~05 Pin



06 Pin



07~12 Pin



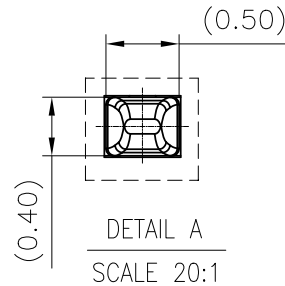
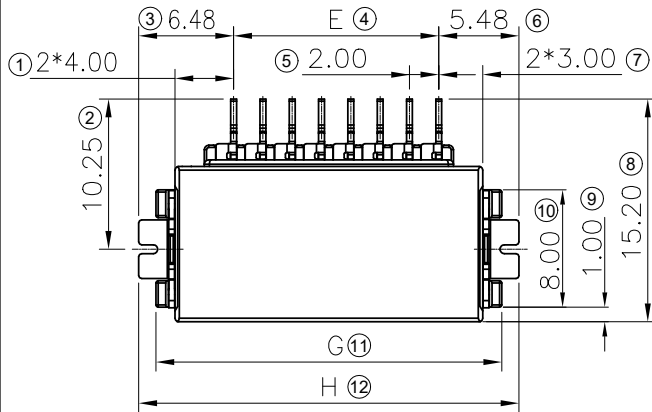
Recommended P.C.B Layout
General tolerance ±0.05

Poles	Dimensions/mm								
	A	B	C	D	E	F	G	H	I
02	2.60	3.90	/	/	2.00	6.20	10.50	10.60	8.75
03	2.60	5.40	/	/	4.00	8.20	12.50	12.60	10.75
04	4.20	6.70	/	/	6.00	10.20	14.50	14.60	12.75
05	4.20	7.50	/	/	8.00	12.20	16.50	16.60	14.75
06	4.20	7.50	11.60	/	10.00	14.20	18.50	18.60	16.75
07	4.20	7.50	10.80	13.40	12.00	16.20	20.50	20.60	18.75
08	4.20	8.60	12.20	14.70	14.00	18.20	22.50	22.60	20.75
09	6.30	9.50	13.10	16.60	16.00	20.20	24.50	24.60	22.75
10	6.30	10.50	16.30	18.60	18.00	22.20	26.50	26.60	24.75
11	6.30	9.40	14.20	18.70	20.00	24.20	28.50	28.60	26.75
12	6.30	10.50	16.10	20.70	22.00	26.20	30.50	30.60	28.75

20220524	A4	/	Added the mounting thickness of solder paste	Sally Hu	Hong Zou	东莞市思索技术股份有限公司 Dongguan SESO Technology Co.,Ltd.				PART NO. 2024WS-XX-LPXBR					
20220426	A3	/	Added dimensions	Sally Hu	Hong Zou					TITLE 2.00mm WF ASSY vertical SMT					
20220421	A2	/	Update the PCB LAYOUT	Cai Zhao	Hong Zou					APPROVAL	CHECK	DRAWN	DATE	UNIT SCALE SHEET REV NUMBER	
DATE	REV	ECN NO.	DESCRIPTION	MODIFY	APPROVAL					Kevin	John Yang	Cai Zhao	2021/03/25	mm	2:1

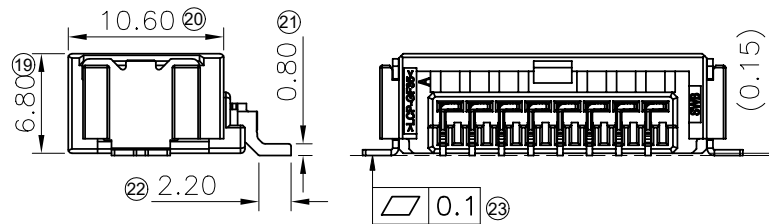
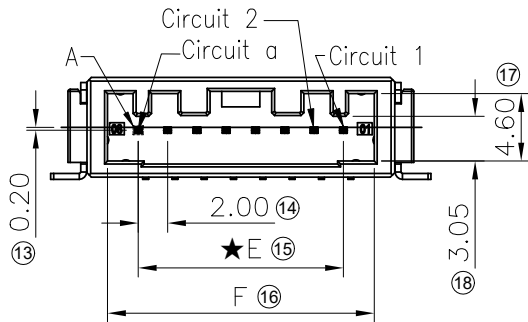
RoHS

This products can apply to the SESO Doc NO. QA-3-04-005 of Environmental&Material Management Rules



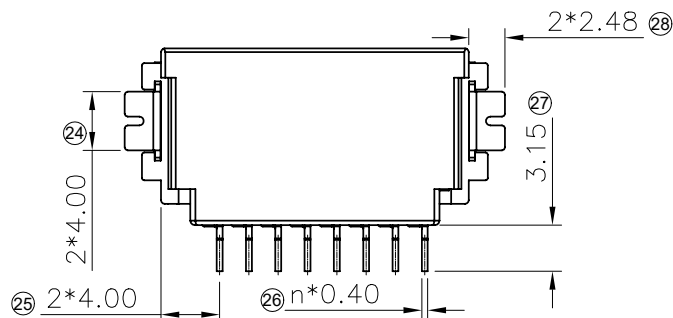
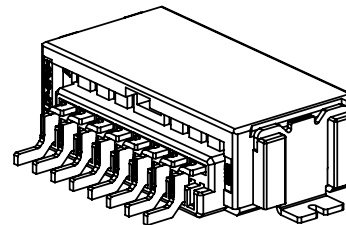
Specifications:

- Voltage Rating:50V AC/DC
- Current Rating:3A AC/DC
- Withstanding Voltage:500V AC/Minute
- Temperature Range:-40°C~+125°C
- Insulation Resistance:100M Ω Min./500V DC/Minute
- Contact Resistance: $\leq 25m\Omega$ (After Testing)
- Mates With Housing:2024AM-XX
- Product Specification:PS-2024-01
- Packaging Drawing:PK-2024WRS-XX-LPXBR
- Symbols for SPC Dimensions:"★"
- Recommended solder thickness is 0.15mm



2024 W R S-XX-LP X B R
① ②③④ ⑤ ⑥ ⑦⑧⑨

- ① Series No.:2024
- ② Category:W-Wafer
- ③ Connector Type:R-Right Angle 90°
- ④ Mounting Type:S-SMT
- ⑤ Row No.-Pin No.:
XX-Single Row-02Pin~12Pin
- ⑥ Plastic Material:LP-LCP (UL94V-0)
- ⑦ Planting Code:SW1-Matte Tin
Underplate:Ni 40~120u"(1~3um) overall
Top Plating:Sn 80~200u"(2~5um) overall
W1-Underplate:Ni 40~120u"(1~3um) overall
Contact area Plating Au 1U"(0.025um)Min
Weld area Plating Sn 80~200u"(2~5um)
- ⑧ Color:B-Black
- ⑨ Packing:R-Reel



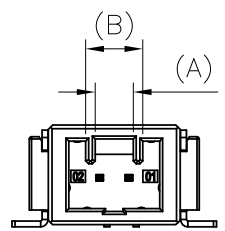
20230404	A5	/	Update frame	Yahui Zhang	Zhonghua Liu	SMS 东莞市思索技术股份有限公司 Dongguan SESO Technology Co.,Ltd.	PART NO. 2024WRS-XX-LPXBR							
20220524	A4	/	Added the mounting thickness of solder paste	Sally Hu	Hong Zou		TITLE 2.00mm WF							
20220426	A3	/	Added dimensions	Sally Hu	Hong Zou		ASSY right-angle SMT							
DATE	REV	ECN NO.	DESCRIPTION	MODIFY	APPROVAL		APPROVAL	CHECK	DRAWN	DATE	UNIT	SCALE	SHEET	REV
						Kevin	John Yang	Cai Zhao	2021/03/18	mm	2:1	1/2	A5	A-000

RoHS

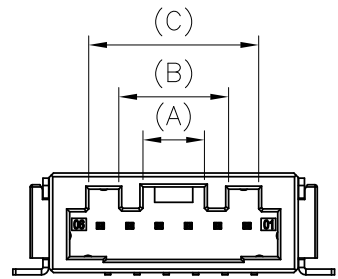
This products can apply to the SESO Doc NO. QA-3-04-005 of Environmental&Material Management Rules



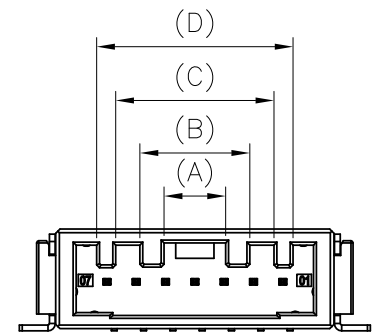
A VIEW



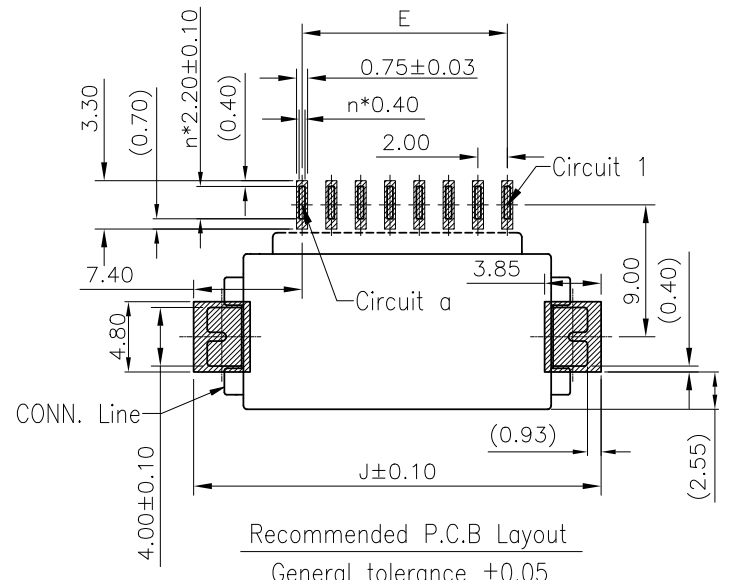
02~05 Pin



06 Pin



07~12 Pin



Poles	Dimensions/mm									
	A	B	C	D	E	F	G	H	J	
02	2.60	3.90	/	/	2.00	6.20	11.60	13.95	15.80	
03	2.60	5.40	/	/	4.00	8.20	13.60	15.95	17.80	
04	4.20	6.70	/	/	6.00	10.20	15.60	17.95	19.80	
05	4.20	7.50	/	/	8.00	12.20	17.60	19.95	21.80	
06	4.20	7.50	11.60	/	10.00	14.20	19.60	21.95	23.80	
07	4.20	7.50	10.80	13.40	12.00	16.20	21.60	23.95	25.80	
08	4.20	8.60	12.20	14.70	14.00	18.20	23.60	25.95	27.80	
09	6.30	9.50	13.10	16.60	16.00	20.20	25.60	27.95	29.80	
10	6.30	10.50	16.30	18.60	18.00	22.20	27.60	29.95	31.80	
11	6.30	9.40	14.20	18.70	20.00	24.20	29.60	31.95	33.80	
12	6.30	10.50	16.10	20.70	22.00	26.20	31.60	33.95	35.80	

20230404	A5	/	Update frame	Yahui Zhang	Zhonghua Liu
20220524	A4	/	Added the mounting thickness of solder paste	Sally Hu	Hong Zou
20220426	A3	/	Added dimensions	Sally Hu	Hong Zou
DATE	REV	ECN NO.	DESCRIPTION	MODIFY	APPROVAL

GENERAL TOLERANCE
.X ±0.35
.XX ±0.25
.XXX±0.15
X.' ±2'
PROJECT

SMS 东莞市思索技术股份有限公司
Dongguan SESO Technology Co.,Ltd.

APPROVAL	CHECK	DRAWN	DATE
Kevin	John Yang	Cai Zhao	2021/03/18

PART NO. 2024WRS-XX-LPXBR				
TITLE 2.00mm WF ASSY right-angle SMT				
UNIT	SCALE	SHEET	REV	NUMBER
mm	2:1	2/2	A5	A-000