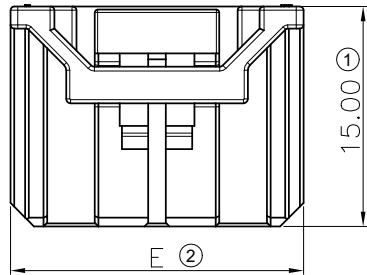
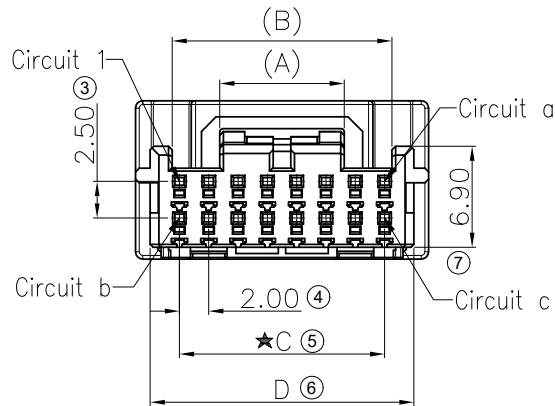


RoHS

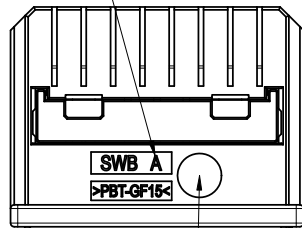
This products can apply to the SESO Doc NO. QA-3-04-005 of Environmental&Material Management Rules



A VIEW



Cavity NO.



DATE CODE

2024 A - 2*XX X - PT XX

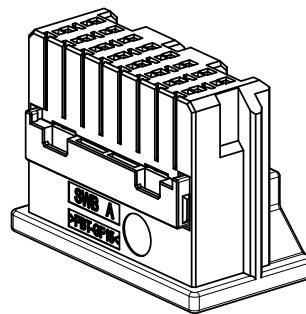
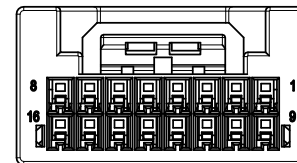
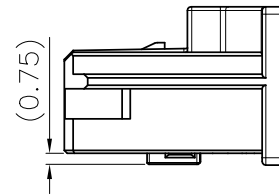
① ② ③ ④ ⑤ ⑥

- ① Series No.: 2024
- ② Category: A-Housing Sub-Assembly
- ③ Row No.-Pin No: 2*XX-Double Row 2*04~2*20Pin
- ④ Special No.: A-Coding A ,Black
B-Coding B ,Natural color
C-Coding C ,Gray
D-Coding D ,Blue
- ⑤ Plastic material: PT-PBT UL94V-0
- ⑥ Color:BK-Black NC-Natural color GY-Gray BL-Blue

Specifications :

- Voltage rating: 50V Max. AC/DC
- Withstanding voltage: 500V AC/minute
- Temperature range: -40°C~+125°C
- Insulation resistance: 100MΩ min./500V DC/Minute
- Mates With SWB Terminal: 2024TF-XXX-X
- Mates With SWB Wafer: 2024WRS-2*XXX
- Symbols for SPC dimensions: "★"
- Product Specification: PS-2024-02
- Packaging Drawing: PK-2024A-2*XXX-PTBK

B VIEW



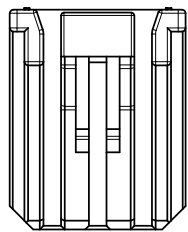
Poles	Dimensions/mm				
	A	B	C	D	E
2*04	5.00	7.40	6.00	10.00	12.00
2*05	6.50	9.40	8.00	12.00	14.00
2*06	8.50	11.40	10.00	14.00	16.00
2*07	8.50	13.00	12.00	16.00	18.00
2*08	8.50	15.00	14.00	18.00	20.00
2*09	8.50	17.00	16.00	20.00	22.00
2*10	8.50	19.00	18.00	22.00	24.00
2*11	8.50	21.00	20.00	24.00	26.00
2*12	8.50	23.00	22.00	26.00	28.00
2*13	8.50	25.00	24.00	28.00	30.00
2*14	8.50	27.00	26.00	30.00	32.00
2*15	8.50	29.00	28.00	32.00	34.00
2*16	8.50	31.00	30.00	34.00	36.00
2*17	8.50	33.00	32.00	36.00	38.00
2*18	8.50	35.00	34.00	38.00	40.00
2*19	8.50	37.00	36.00	40.00	42.00
2*20	8.50	39.00	38.00	42.00	44.00

DATE	REV	ECN NO.	DESCRIPTION	MODIFY	APPROVAL	PROJECT	APPROVAL	CHECK	DRAWN	DATE	UNIT	SCALE	SHEET	REV	NUMBER	
20230102	A1	/	New colour	Yahui Zhang	Hong Zou	GENERAL TOLERANCE .X ±0.35 .XX ±0.25 .XXX±0.15 .X.' ±2'	SMS 东莞市思索技术股份有限公司 Dongguan SESO Technology Co.,Ltd.	APPROVAL	CHECK	DRAWN	DATE	PART NO. 2024A-2*XXX-PTXX				
20220728	A	/	Initial release	Yahui Zhang	Hong Zou							TITLE 2.00 WTB CONN. ASSY				
						Jason Huang	Hong Zou	Yahui Zhang	2022/07/28	mm	2:1	1/2	A1	A-000		

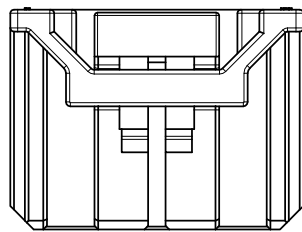
RoHS

This products can apply to the SESO Doc NO. QA-3-04-005 of Environmental&Material Management Rules

2*04~2*07 Pin

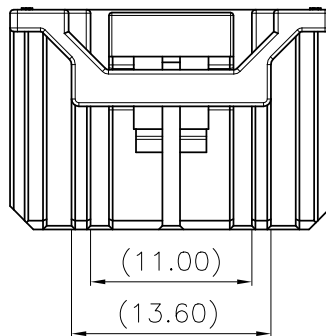


2*08 Pin

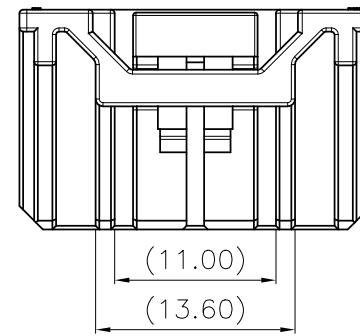


A VIEW

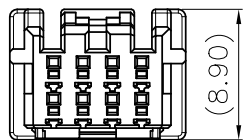
2*09 Pin



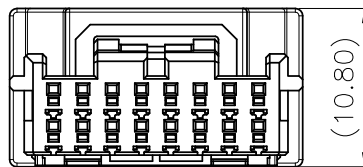
2*10~2*20 Pin



B VIEW



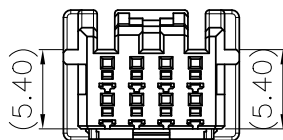
2*04~2*07 Pin



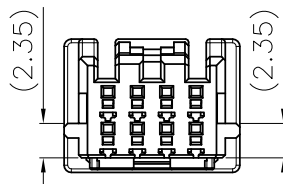
2*08~2*20 Pin



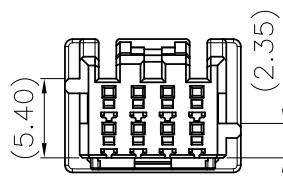
Coding type



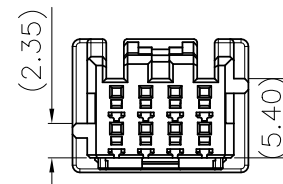
Coding A
Black



Coding B
Natural color



Coding C
Gray



Coding D
Blue

					GENERAL TOLERANCE				PART NO.							
					.X ±0.35				2024A-2*XXX-PTXX							
					.XX ±0.25				TITLE							
					.XXX±0.15				2.00 WTB CONN. ASSY							
					X.' ±2'				APPROVAL		CHECK		DRAWN		DATE	
					PROJECT				Jason Huang		Hong Zou		Yahui Zhang		2022/07/28	
					PROJECT				mm		SCALE		SHEET		REV	
					PROJECT				2:1		2/2		A1		NUMBER	
					PROJECT				A-000							

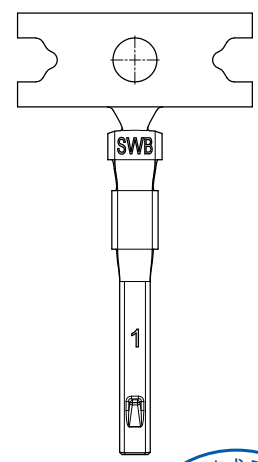
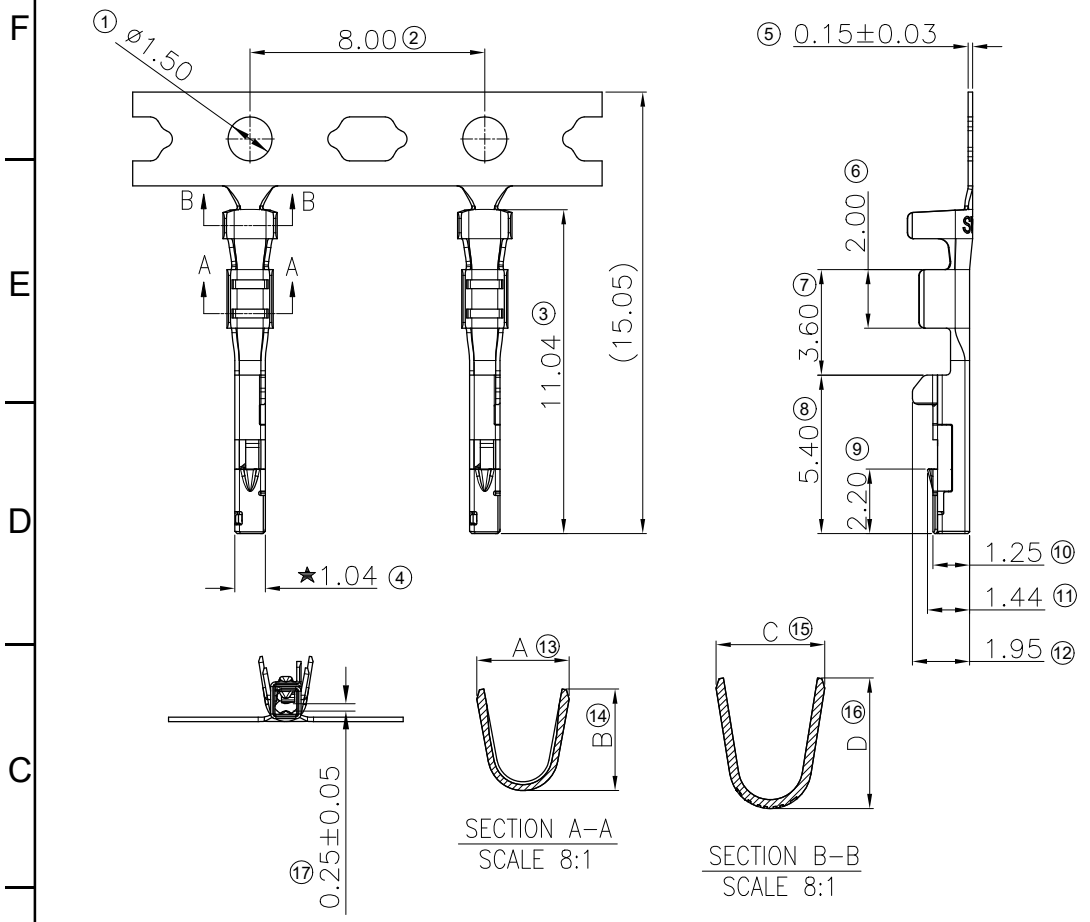
SMS 东莞市思索技术股份有限公司
Dongguan SESO Technology Co.,Ltd.

RoHS

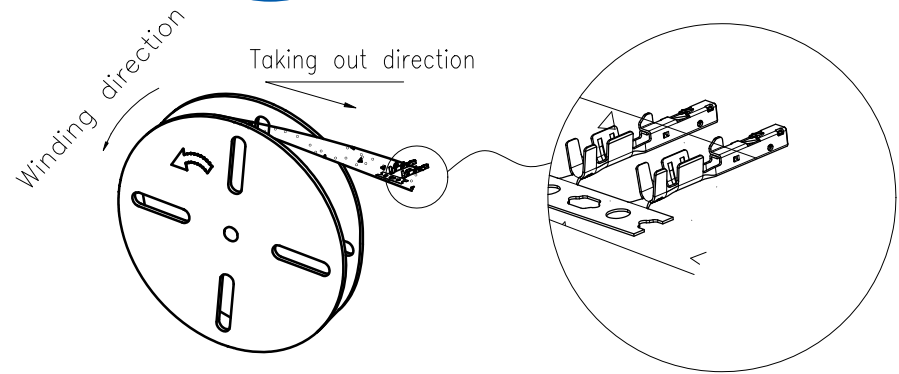
This products can apply to the SWB Doc NO. QA-3-04-005 of Environmental&Material Management Rules

RD-1

- Specifications:
- Current Rating:3A AC/DC(0.35mm² Wire)
 - Temperature Range:-40°C~+125°C
 - Contact Resistance:≤25mΩ(After Testing)
 - Mates With SWB Housing:2024A-2*XXX
 - Packaging Drawing:PK-2024TF-HY2B
 - Product Specification:PS-2024-02
 - Symbols for SPC Dimensions:"★"



- 2024 T X F - H X X - A
 ① ② ③ ④ ⑤ ⑥ ⑦ ⑧
- ① Series No.:2024
 - ② Category:T-Terminal
 - ③ Shape:Blank-Common Feet ;
L-Low Feet
 - ④ Connector Type:F-Female terminal
 - ⑤ Material:H-LV214 Material
 - ⑥ Plating Code: Y2-40~120u"(1~3um) TIN
G1-Underplate Ni 40~120u"(1~3um) ;
Area 1 Plating Au 1U"(0.025um)Min
 - ⑦ Plating Process: B-Stamping After Plating
Blank-Stamping Before Plating
 - ⑧ Special No.:A



2024TLF-HG1-A	AWG#30~26 (0.05~0.13mm ²)	∅0.9mm Max	1.14	1.13	1.36	1.56
2024TLF-HY2B-A						
2024TF-HG1-A	AWG#24~22 (0.22~0.35mm ²)	∅1.3mm Max	1.57	1.73	1.85	2.22
2024TF-HY2B-A						
Part NO.	Wire Range	Insulation O.D.	DIM A	DIM B	DIM C	DIM D

20221128	A1	/	Added low foot size	Yahui Zhang	Meng Yang
20220728	A0	/	Initial release	Yahui Zhang	John Yang
DATE	REV	ECN NO.	DESCRIPTION	MODIFY	APPROVAL

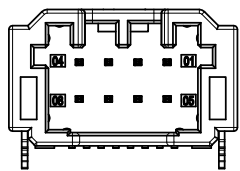
GENERAL TOLERANCE		SMS 东莞市思索技术股份有限公司 Dongguan SESO Technology Co.,Ltd.	PART NO. 2024TF-HXX-A			
.X	±0.35		TITLE Female Terminal			
.XX	±0.25		APPROVAL	CHECK	DRAWN	DATE
.XXX	±0.15		Jason Huang	Meng Yang	Yahui Zhang	2022/11/28
X.°	±2°	PROJECT				
PROJECT		UNIT				
mm		SCALE				
4:1		SHEET				
1/1		REV				
A1		NUMBER				
A-000						

UNIT	SCALE	SHEET	REV	NUMBER
mm	4:1	1/1	A1	A-000

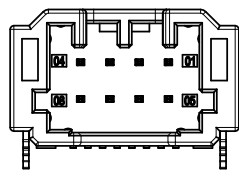
RoHS

This products can apply to the SESO Doc NO. QA-3-04-005 of Environmental&Material Management Rules

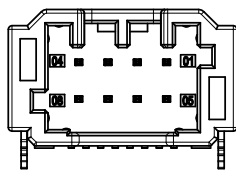
Coding type



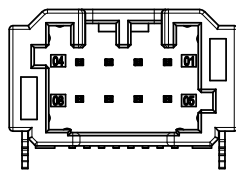
Coding A
Black



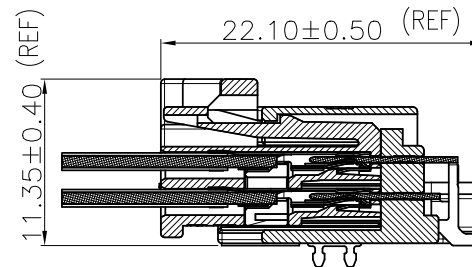
Coding B
Natural color



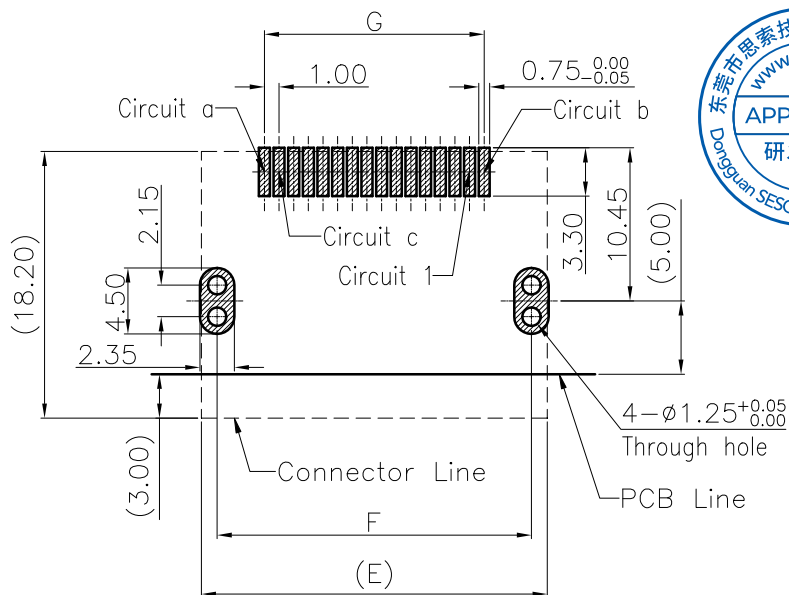
Coding C
Gray



Coding D
Blue



Housing and Wafer Assembly drawing



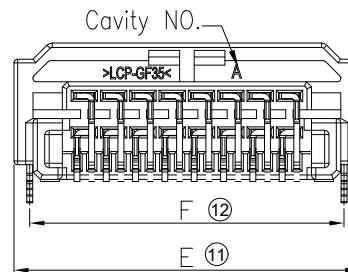
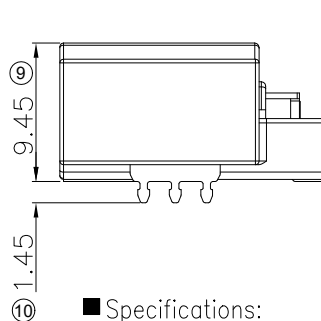
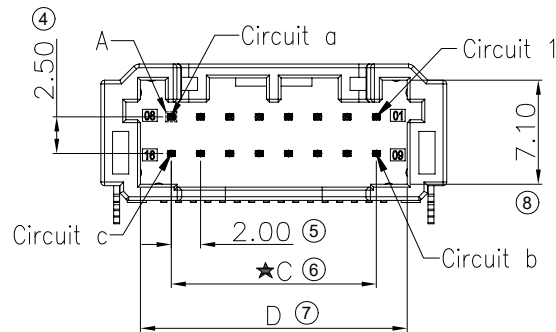
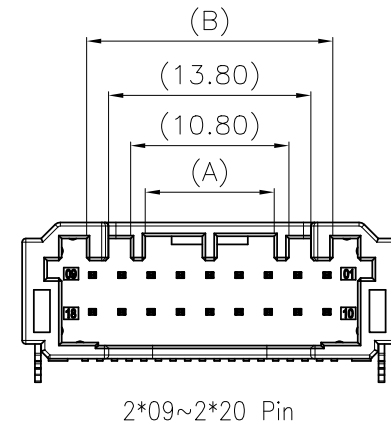
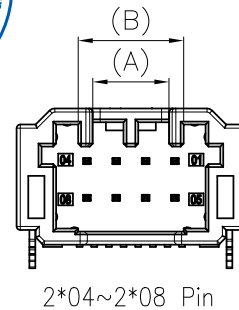
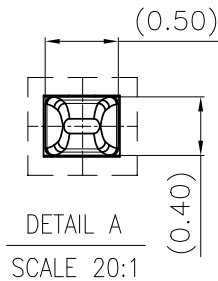
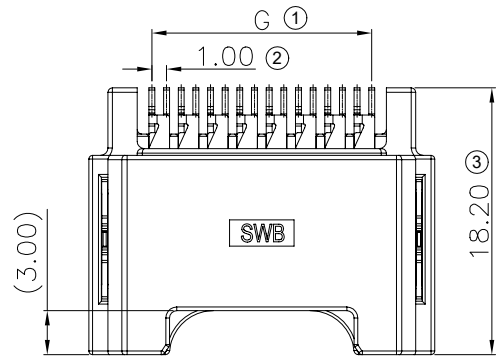
Poles	Dimensions/mm						
	A	B	C	D	E	F	G
2*04	5.20	7.20	6.00	10.20	15.60	13.45	7.00
2*05	6.80	9.20	8.00	12.20	17.60	15.45	9.00
2*06	8.80	11.20	10.00	14.20	19.60	17.45	11.00
2*07	8.80	12.80	12.00	16.20	21.60	19.45	13.00
2*08	8.80	14.80	14.00	18.20	23.60	21.45	15.00
2*09	8.80	16.80	16.00	20.20	25.60	23.45	17.00
2*10	8.80	18.80	18.00	22.20	27.60	25.45	19.00
2*11	8.80	20.80	20.00	24.20	29.60	27.45	21.00
2*12	8.80	22.80	22.00	26.20	31.60	29.45	23.00
2*13	8.80	24.80	24.00	28.20	33.60	31.45	25.00
2*14	8.80	26.80	26.00	30.20	35.60	33.45	27.00
2*15	8.80	28.80	28.00	32.20	37.60	35.45	29.00
2*16	8.80	30.80	30.00	34.20	39.60	37.45	31.00
2*17	8.80	32.80	32.00	36.20	41.60	39.45	33.00
2*18	8.80	34.80	34.00	38.20	43.60	41.45	35.00
2*19	8.80	36.80	36.00	40.20	45.60	43.45	37.00
2*20	8.80	38.80	38.00	42.20	47.60	45.45	39.00

						GENERAL TOLERANCE				PART NO.				
						.X ±0.35				2024WRS-2*XXX-LPSW1XR				
						.XX ±0.25				TITLE				
						.XXX±0.15				2.00mm WF				
						X.' ±2'				ASSY right-angle SMT				
						PROJECT				UNIT				
						APPROVAL				SCALE				
						CHECK				SHEET				
						DRAWN				REV				
						DATE				NUMBER				
DATE	REV	ECN NO.	DESCRIPTION	MODIFY	APPROVAL	Kevin	John Yang	Cai Zhao	2021/09/03	mm	2:1	2/2	A1	A-000



RoHS

This products can apply to the SESO Doc NO. QA-3-04-005 of Environmental&Material Management Rules



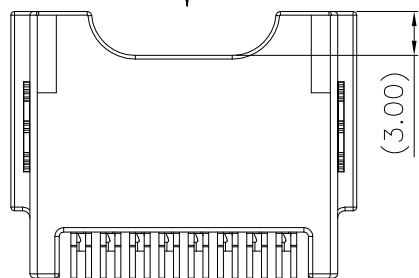
2024 W R S-2*XX XX-LP SW1 X R
① ② ③ ④ ⑤ ⑥ ⑦ ⑧ ⑨ ⑩

- ① Series No.:2024
- ② Category:W-Wafer
- ③ Connector Type:R-Right Angle 90°
- ④ Mouting Type:S-SMT
- ⑤ Row No.-Pin No.:
2*XX-Double Row-2x04~2x20Pin
- ⑥ Special NO.: A3-Coding A ,Black
B3-Coding B ,Natural color
C3-Coding C ,Gray
D3-Coding D ,Blue
- ⑦ Plastic Material:LP-LCP (UL94V-0)
- ⑧ Planting Code:SW1-Matte Tin
Underplate:Ni 40~120u"(1~3um) overall
Top Plating:Sn 80~200u"(2~5um) overall
- ⑨ Color:B-Black N-Natural color G-Gray L-Blue
- ⑩ Packing:R-Reel

■ Specifications:

- Voltage Rating:50V AC/DC
- Current Rating:3A AC/DC
- Withstanding Voltage:500V AC/Minute
- Temperature Range:-40°C~+125°C
- Insulation Resistance:100M Ω Min./500V DC/Minute
- Contact Resistance:<25m Ω (After Testing)
- Mates With Housing:2024A-2*XXX
- Product Specification:PS-2024-02
- Packaging Drawing:PK-2024WRS-2*XXX-LPSW1BR
- Symbols for SPC Dimensions:"★"
- Recommended solder thickness is 0.15mm

A VIEW

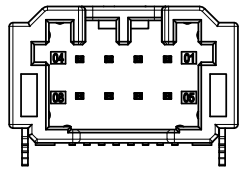


						GENERAL TOLERANCE				PART NO.						
						.X	±0.35	SMS 东莞市思索技术股份有限公司 Dongguan SESO Technology Co.,Ltd.			2024WRS-2*XXXX-LPSW1XR					
						.XX	±0.25				TITLE 2.00mm WF ASSY right-angle SMT					
						.XXX	±0.15	APPROVAL	CHECK	DRAWN	DATE	UNIT	SCALE	SHEET	REV	NUMBER
						X.'	±2'					mm	2:1	1/2	A1	A-000
DATE	REV	ECN NO.	DESCRIPTION	MODIFY	APPROVAL	PROJECT										
20230102	A1	/	New colour	Yahui Zhang	Meng Yang	PROJECT										
20220728	A0	/	Initial release	Yahui Zhang	hong zou	PROJECT										
						PROJECT										

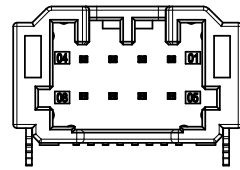
RoHS

This products can apply to the SESO Doc NO. QA-3-04-005 of Environmental&Material Management Rules

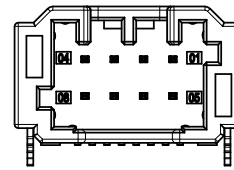
Coding type



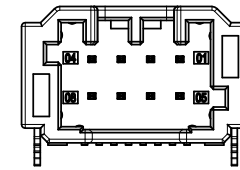
Coding A
Black



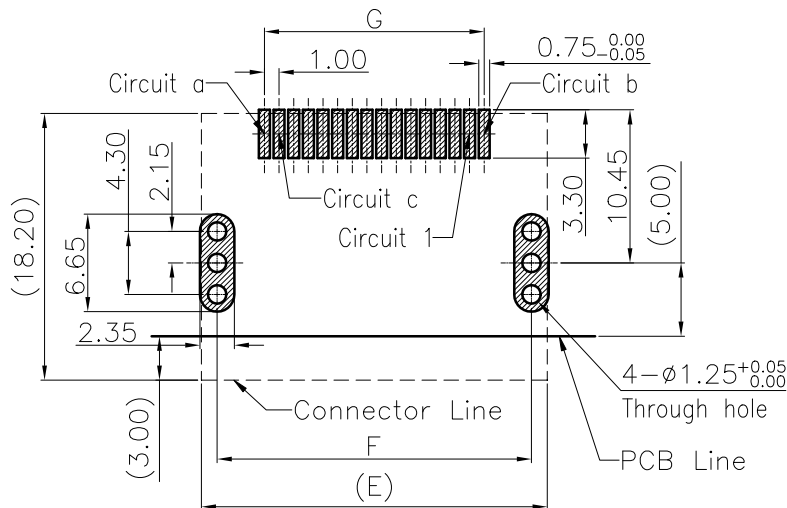
Coding B
Natural color



Coding C
Gray



Coding D
Blue



Poles	Dimensions/mm						
	A	B	C	D	E	F	G
2*04	5.20	7.20	6.00	10.20	15.60	13.45	7.00
2*05	6.80	9.20	8.00	12.20	17.60	15.45	9.00
2*06	8.80	11.20	10.00	14.20	19.60	17.45	11.00
2*07	8.80	12.80	12.00	16.20	21.60	19.45	13.00
2*08	8.80	14.80	14.00	18.20	23.60	21.45	15.00
2*09	8.80	16.80	16.00	20.20	25.60	23.45	17.00
2*10	8.80	18.80	18.00	22.20	27.60	25.45	19.00
2*11	8.80	20.80	20.00	24.20	29.60	27.45	21.00
2*12	8.80	22.80	22.00	26.20	31.60	29.45	23.00
2*13	8.80	24.80	24.00	28.20	33.60	31.45	25.00
2*14	8.80	26.80	26.00	30.20	35.60	33.45	27.00
2*15	8.80	28.80	28.00	32.20	37.60	35.45	29.00
2*16	8.80	30.80	30.00	34.20	39.60	37.45	31.00
2*17	8.80	32.80	32.00	36.20	41.60	39.45	33.00
2*18	8.80	34.80	34.00	38.20	43.60	41.45	35.00
2*19	8.80	36.80	36.00	40.20	45.60	43.45	37.00
2*20	8.80	38.80	38.00	42.20	47.60	45.45	39.00

DATE	REV	ECN NO.	DESCRIPTION	MODIFY	APPROVAL	PROJECT	APPROVAL	CHECK	DRAWN	DATE	UNIT	SCALE	SHEET	REV	NUMBER
20230102	A1	/	New colour	Yahui Zhang	Meng Yang	SMS 东莞市思索技术股份有限公司 Dongguan SESO Technology Co.,Ltd.	APPROVAL	CHECK	DRAWN	DATE	PART NO. 2024WRS-2*XXXX-LPSW1XR				
20220728	A0	/	Initial release	Yahui Zhang	hong zou						TITLE 2.00mm WF ASSY right-angle SMT				
											mm	2:1	2/2	A1	A-000