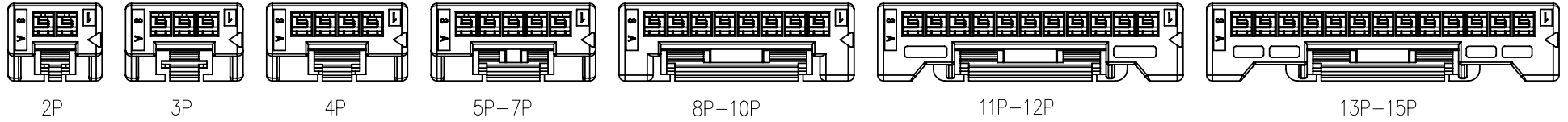
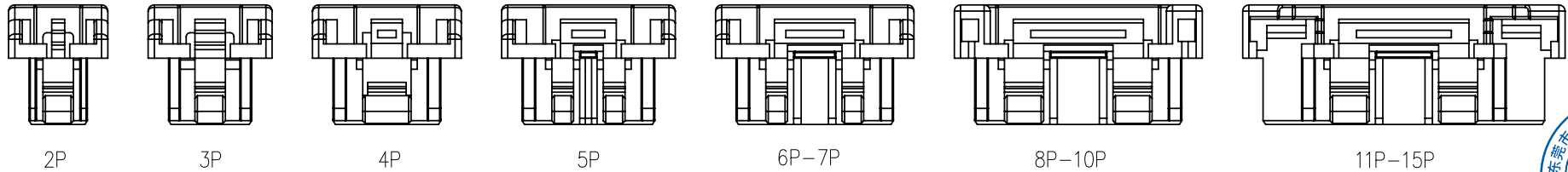


RoHS

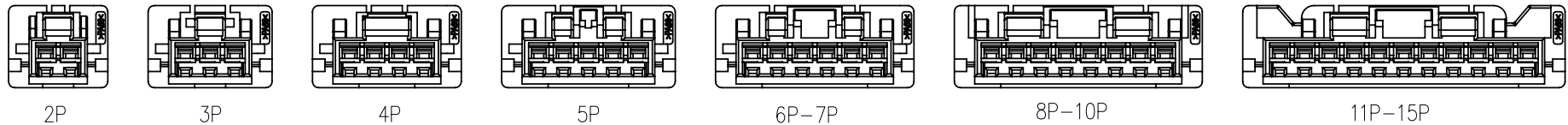
This products can apply to the SESO Doc NO. QA-3-04-005 of Environmental&Material Management Rules



俯视图



主视图



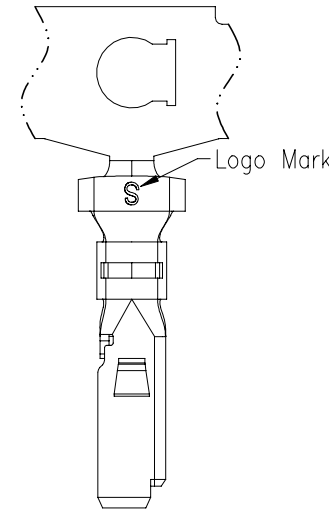
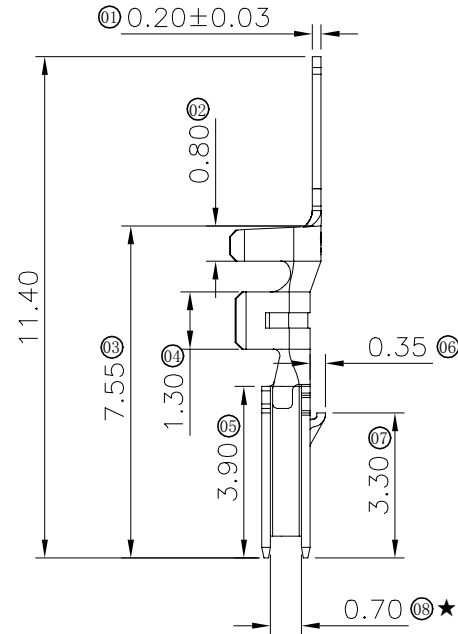
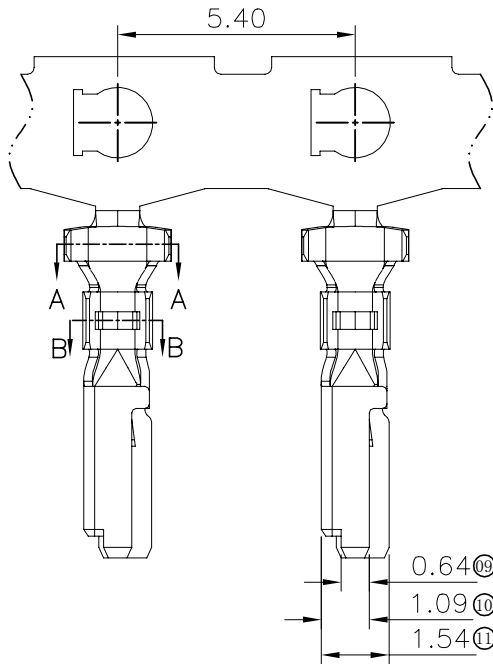
仰视图

						<p>GENERAL TOLERANCE</p> <p>.X ±0.30</p> <p>.XX ±0.20</p> <p>.XXX±0.10</p> <p>X.' ±2'</p>				<p>PART NO. 2023H-XX-N0XXXX</p>					
<p>20210930 A1 ER20210926001 Add halogen specifications Jiang John Yang</p>						<p>SMS 东莞市思索技术股份有限公司 Dongguan SESO Technology Co.,Ltd.</p>				<p>TITLE 2.00mm Crimp Style Connectors</p>					
<p>20210610 A / Initial release Jiang John Yang</p>										APPROVAL	CHECK	DRAWN	DATE		
DATE	REV	ECN NO.	DESCRIPTION	MODIFY	APPROVAL	PROJECT	Larry Yang	Wang cheng	Yu Yongping	2020/05/14	UNIT	SCALE	SHEET	REV	NUMBER
											mm	2.5:1	1/2	A1	A-000

RoHS

This products can apply to the SWB Doc NO. QA-3-04-005 of Environmental&Material Management Rules

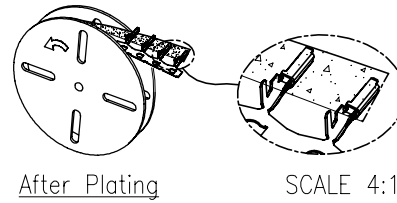
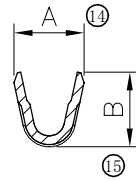
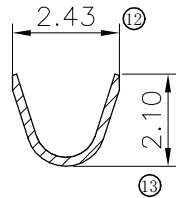
RD-1



- Specifications :
- Voltage rating: 250V AC / DC
 - Current rating: 3A AC / DC
 - Withstanding voltage: 800V AC/minute
 - Temperature range: -40°C~+105°C
 - Insulation resistance: ≥1000MΩ
 - Contact resistance: ≤20mΩ
 - After environmental testing: ≤40mΩ
 - "★" represents special characterical dimension

2023 I X - P SN1
① ② ③ ④ ⑤

- ① Series No.: 2023
- ② Category: T-Terminal
- ③ Shape: Blank-Ordinary Barrel
L-Low Barrel
- ④ Material: P-Phosphor bronze
- ⑤ Plating Code: SN1-See table



2023TL-PSN1	Phosphor bronze	AWG#24~26 (0.22~0.13mm ²)	φ1.05~1.2mm	Ni:40~120u"(1.0~3.0um) Bright tin:80~200u"(2.0~5.0um)	2023H	1.45	1.35
2023T-PSN1		AWG#22~24 (0.35~0.22mm ²)	φ1.2~1.4mm			1.60	1.70
P/N	Material	Wire Range	Insulation O.D.	Finish	Applicable SWB HSG	A	B

					GENERAL TOLERANCE				
					.X ±0.30				
					.XX ±0.20				
					.XXX ±0.10				
					X.° ±1°				
					PROJECT				
DATE	REV	ECN ON.	DESCRIPTION	MODIFY	APPROVAL	Jason Huang	John Yang	Yu Yongping	2020/03/09

东莞市思索连接器有限公司
 SWB CONNECTORS CO.,LTD
 APPROVAL CHECK DRAWN DATE

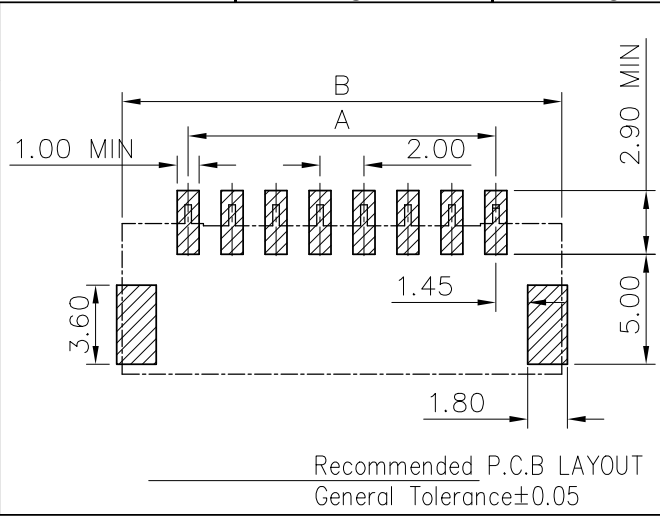
PART NO. 2023TX-PSN1				
TITLE 2.00mm Crimp Terminal				
UNIT	SCALE	SHEET	REV	NUMBER
mm	6:1	1/1	A	A-000

RoHS

This products can apply to the SWB Doc NO. QA-3-04-005 of Environmental&Material Management Rules

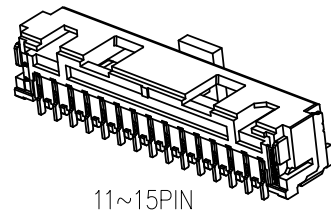
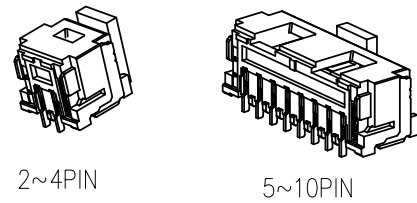
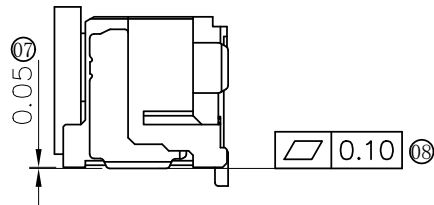
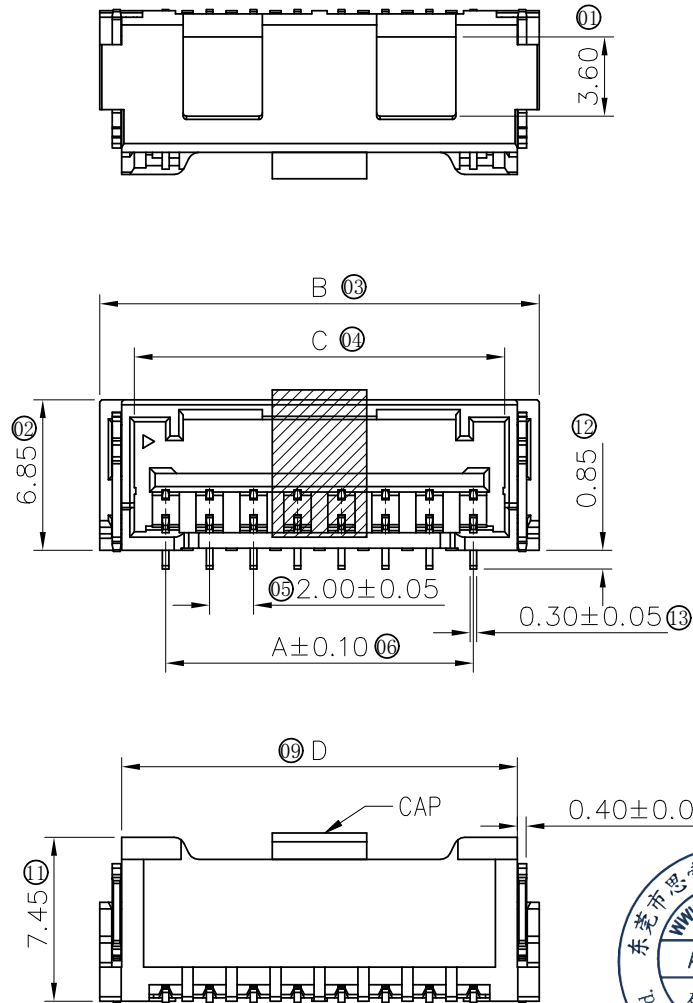
RD-1

- Specifications :
- Voltage rating: 250V AC / DC
 - Current rating: 3A AC / DC
 - Withstanding voltage: 800V AC/minute
 - Temperature range: -40°C~+105°C
 - Insulation resistance: ≥1000MΩ
 - Contact resistance: <20mΩ
 - After environmental testing: <40mΩ
 - Material(Pin) : Phorphos Bronze
 - Material(Stator) : Brass
 - Applicable SWB Housing : 2023H



2023 W V S - XX XX - 9T SW N R
① ② ③ ④ ⑤ ⑥ ⑦ ⑧ ⑨ ⑩

- ① Series No: 2023
- ② Category: W - Wafer
- ③ Connector Type: V - Straight 180°
- ④ Mouting Type: S - SMT
- ⑤ Row No.-Pin No: XX - Single Row XXPin
- ⑥ RoHS: HF - Halogen Free Blank- halogen
- ⑦ Plastic material: 9T - PA9T UL94V-0
- ⑧ Plating Code: SW - Matte Tin
- ⑨ Color: N - Natural
- ⑩ Packing: R - Reel



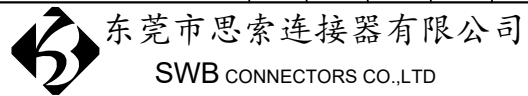
Poles	Dimensions (mm)				Poles	Dimensions (mm)			
	A	B	C	D		A	B	C	D
02	2.00	8.00	4.85	6.00	09	16.00	22.00	18.85	20.00
03	4.00	10.00	6.85	8.00	10	18.00	24.00	20.85	22.00
04	6.00	12.00	8.85	10.00	11	20.00	26.00	22.85	24.00
05	8.00	14.00	10.85	12.00	12	22.00	28.00	24.85	26.00
06	10.00	16.00	12.85	14.00	13	24.00	30.00	26.85	28.00
07	12.00	18.00	14.85	16.00	14	26.00	32.00	28.85	30.00
08	14.00	20.00	16.85	18.00	15	28.00	34.00	30.85	32.00

DATE	REV	ECN ON.	DESCRIPTION	MODIFY	APPROVAL
20221114	A2	EN20221114001	Add halogen specifications	Jane	Larry Yang
20210930	A1	ER20210926001	Add halogen specifications	Qinxin	Larry Yang
20210621	A	/	Initial release	Jiang	John Yang

GENERAL TOLERANCE
.X ±0.30
.XX ±0.20
.XXX ±0.10
X.° ±1°

PROJECT
APPROVAL
CHECK
DRAWN
DATE

APPROVAL: Larry Yang
CHECK: Jane
DRAWN: Yu Yongping
DATE: 2020/05/15



PART NO: 2023WVS-XXXX-9TSWNR

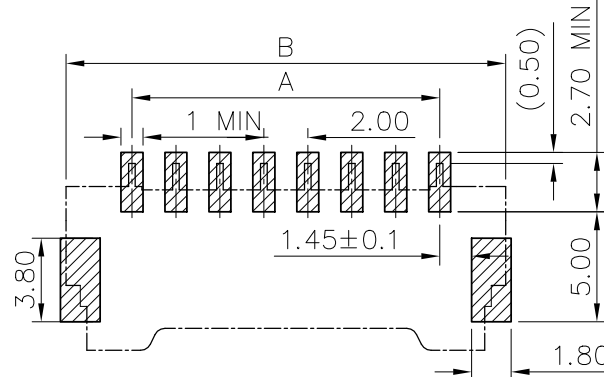
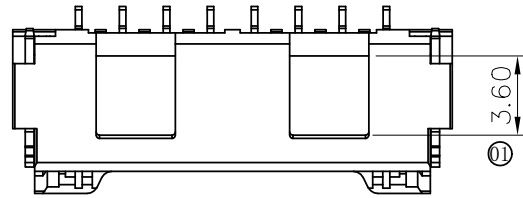
TITLE: 2.00mm Crimp Style Connectors

UNIT	SCALE	SHEET	REV	NUMBER
mm	3:1	1/1	A2	A-082

RoHS

This products can apply to the SWB Doc NO. QA-3-04-005 of Environmental&Material Management Rules

RD-1



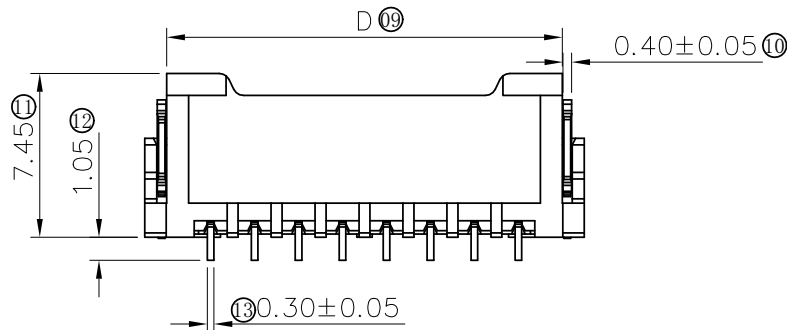
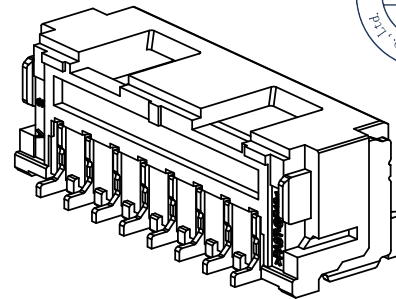
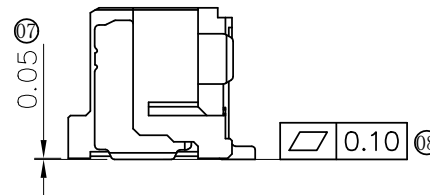
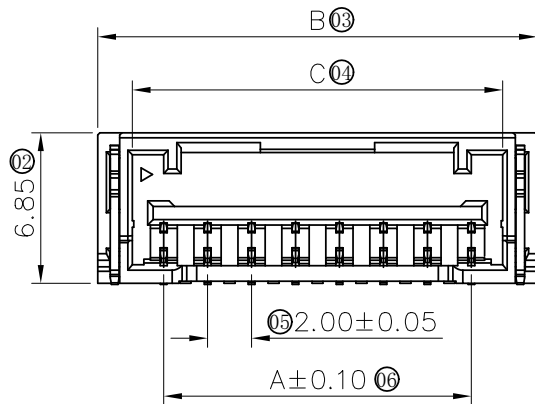
Recommended P.C.B LAYOUT
General Tolerance±0.05

Specifications :

- Voltage rating: 250V AC / DC
- Current rating: 3A AC / DC
- Withstanding voltage: 800V AC/minute
- Temperature range: -40°C~+105°C
- Insulation resistance: ≥1000MΩ
- Contact resistance: <20mΩ
- After environmental testing: <40mΩ
- Material(Pin) :Phorphos Bronze
- Material(Stator) :Brass
- Applicable SWB Housing :2023H

2023 W R S - XX XX - 9T SW N R
① ② ③ ④ ⑤ ⑥ ⑦ ⑧ ⑨ ⑩

- ① Series No: 2023
- ② Category: W - Wafer
- ③ Connector Type: R - Right Angle 90°
- ④ Mouting Type: S - SMT
- ⑤ Row No.-Pin No: XX - Single Row XXPin
- ⑥ RoHS: HF-Halogen Free Blank-halogen
- ⑦ Plastic material: 9T - PA9T UL94V-0
- ⑧ Plating Code: SW - Matte Tin
- ⑨ Color: N - Natural
- ⑩ Packing: R - Reel



Poles	Dimensions (mm)				Poles	Dimensions (mm)			
	A	B	C	D		A	B	C	D
02	2.00	8.00	4.85	6.00	09	16.00	22.00	18.85	20.00
03	4.00	10.00	6.85	8.00	10	18.00	24.00	20.85	22.00
04	6.00	12.00	8.85	10.00	11	20.00	26.00	22.85	24.00
05	8.00	14.00	10.85	12.00	12	22.00	28.00	24.85	26.00
06	10.00	16.00	12.85	14.00	13	24.00	30.00	26.85	28.00
07	12.00	18.00	14.85	16.00	14	26.00	32.00	28.85	30.00
08	14.00	20.00	16.85	18.00	15	28.00	34.00	30.85	32.00

GENERAL TOLERANCE						APPROVAL				PART NO:						
A	DATE	REV	ECN ON.	DESCRIPTION	MODIFY	APPROVAL	PROJECT	APPROVAL	CHECK	DRAWN	DATE	2023WRS-XXXX-9TSWNR				
												TITLE: 2.00mm Crimp Style Connectors				
												UNIT	SCALE	SHEET	REV	NUMBER
												mm	3:1	1/1	A1	A-082

东莞市思索连接器有限公司
SWB CONNECTORS CO.,LTD

PART NO: 2023WRS-XXXX-9TSWNR

TITLE: 2.00mm Crimp Style Connectors

APPROVAL: Jason Huang
CHECK: John Yang
DRAWN: Yu Yongping
DATE: 2020/05/15

UNIT: mm
SCALE: 3:1
SHEET: 1/1
REV: A1
NUMBER: A-082