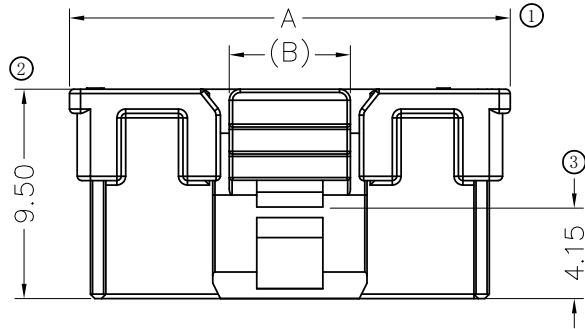


RoHS

This products can apply to the SWB Doc NO. QA-3-04-005 of Environmental&Material Management Rules

RD-1

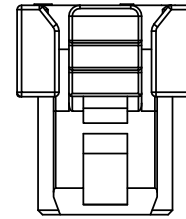


03~15P Shape



Specifications :

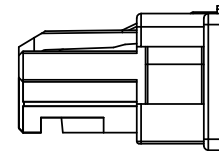
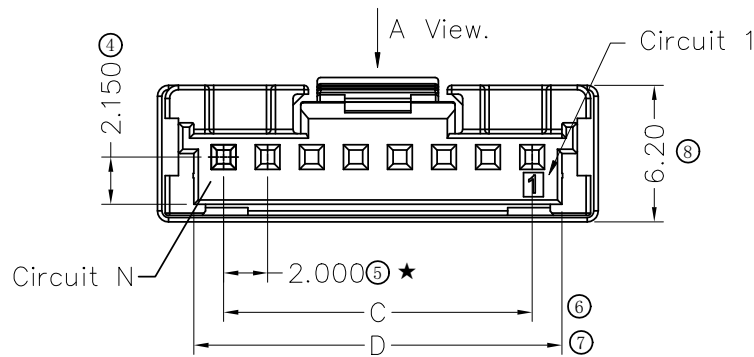
- Voltage rating: 125V AC / DC
- Current rating: 3A AC / DC
- Withstanding voltage: 500V AC/minute
- Temperature range: -40°C~+125°C
- Insulation resistance: ≥ 1000MΩ
- Contact resistance: ≤ 10mΩ
- After environmental testing: ≤ 20mΩ
- Suitable SWB Terminal: 2022T
- Suitable SWB Header: 2008W



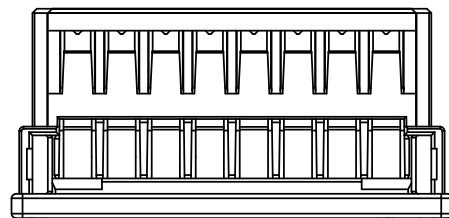
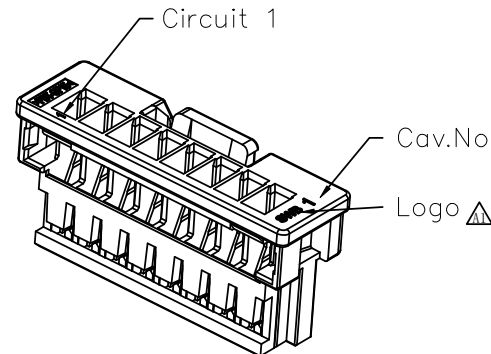
02P Shape
A View

2022 H -XX -PT BK
① ② ③ ④ ⑤

- ① Series No.
- ② Category: H-HOUSING
- ③ Row No.-Pin No: XX-02~15 Pin
- ④ Plastic material: PT- PBT+GF UL 94-V0
- ⑤ Color: BK-Black



Poles	Dimensions (mm)			
	A	B	C	D
02	8.00	3.30	2.00	4.70
03	10.00	3.50	4.00	6.70
04	12.00	5.50	6.00	8.70
05	14.00	5.50	8.00	10.70
06	16.00	5.50	10.00	12.70
07	18.00	5.50	12.00	14.70
08	20.00	5.50	14.00	16.70
09	22.00	5.50	16.00	18.70
10	24.00	5.50	18.00	20.70
11	26.00	5.50	20.00	22.70
12	28.00	5.50	22.00	24.70
13	30.00	5.50	24.00	26.70
14	32.00	5.50	26.00	28.70
15	34.00	5.50	28.00	30.70



GENERAL TOLERANCE						PART NO.					
.X ±0.30						2022H- XX-PTBK					
.XX ±0.20						TITLE					
.XXX ±0.10						2.00mm Pitch WTB Conn. Housing					
X.° ±1°						APPROVAL	CHECK	DRAWN	DATE		
2021/02/24	A1	ER120210224005	Increase the SWB LOGO	Xiaohu Jiang	Jinjiang yang	Jason Huang	Harvey Yan	Xiaohu Jiang	2019/11/09		
DATE	REV	ECN ON.	DESCRIPTION	MODIFY	APPROVAL	PROJECT	UNIT	SCALE	SHEET	REV	NUMBER
						① ②	mm	3:1	1/1	A1	XXXX



东莞市思索连接器有限公司
SWB CONNECTORS CO.,LTD

UNIT	SCALE	SHEET	REV	NUMBER
mm	3:1	1/1	A1	XXXX

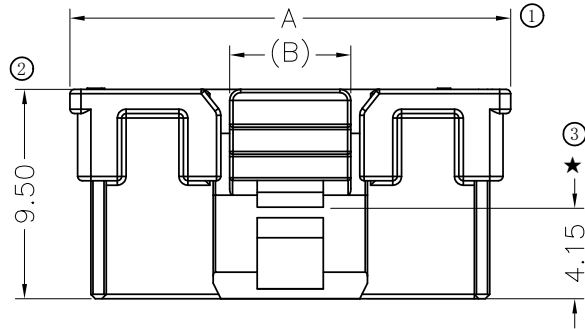
RoHS

This products can apply to the SWB Doc NO. QA-3-04-005 of Environmental&Material Management Rules

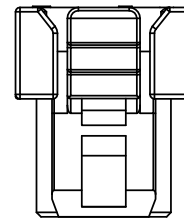
RD-1

Specifications :

- Voltage rating: 125V AC / DC
- Current rating: 3A AC / DC
- Withstanding voltage: 500V AC/minute
- Temperature range: -40°C~+125°C
- Insulation resistance: ≥1000MΩ
- Contact resistance: ≤10mΩ
- After environmental testing: ≤20mΩ
- Suitable SWB Terminal: 2022T
- Suitable SWB Header: 2008W



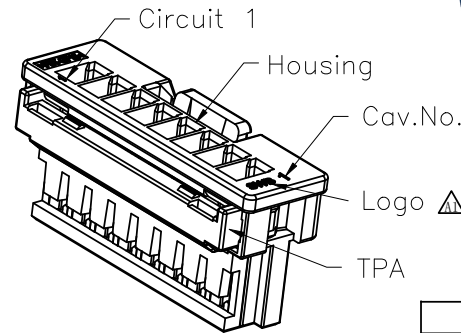
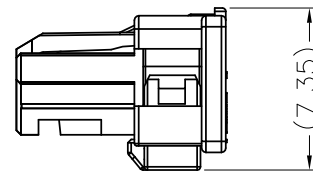
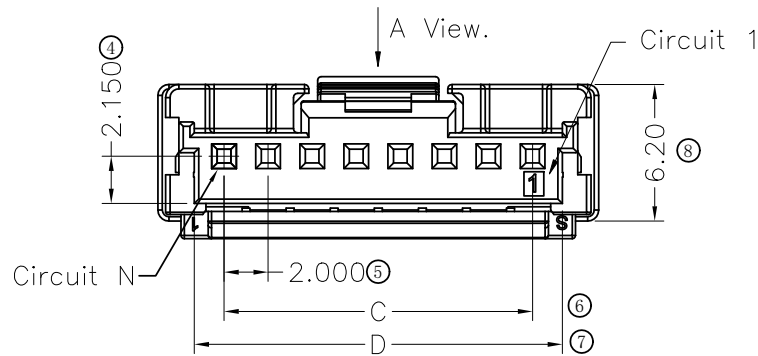
03~15P Shape



02P Shape
A View

A 2022 -XX -PT BK
① ② ③ ④ ⑤

- ① Assembled semi-finished product
- ② Series No.
- ③ Row No.-Pin No: XX-02~15Pin
- ④ Housing plastic material: PT- PBT+GF UL 94-V0
- ⑤ Color: BK-Black



Poles	Dimensions (mm)			
	A	B	C	D
02	8.00	3.30	2.00	4.70
03	10.00	3.50	4.00	6.70
04	12.00	5.50	6.00	8.70
05	14.00	5.50	8.00	10.70
06	16.00	5.50	10.00	12.70
07	18.00	5.50	12.00	14.70
08	20.00	5.50	14.00	16.70
09	22.00	5.50	16.00	18.70
10	24.00	5.50	18.00	20.70
11	26.00	5.50	20.00	22.70
12	28.00	5.50	22.00	24.70
13	30.00	5.50	24.00	26.70
14	32.00	5.50	26.00	28.70
15	34.00	5.50	28.00	30.70

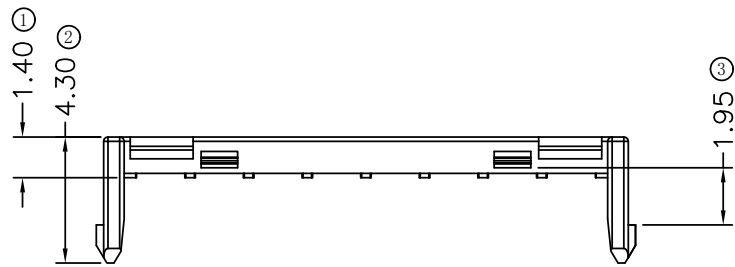
Housing	2022H-XX-PTBK	PBT+GF	1
TPA	C2022-XX-4TNC	PA4T+GF	1
Description	P/N	Material	Quantity

					<p>GENERAL TOLERANCE</p> <p>.X ±0.30</p> <p>.XX ±0.20</p> <p>.XXX ±0.10</p> <p>X.° ±1°</p>				<p>东莞市思索连接器有限公司</p> <p>SWB CONNECTORS CO.,LTD</p>				<p>PART NO.</p> <p>A2022- XX-PTBK</p>															
					<p>APPROVAL</p> <p>Jason Huang</p>				<p>CHECK</p> <p>Harvey Yan</p>				<p>DRAWN</p> <p>Xiaohu Jiang</p>				<p>DATE</p> <p>2019/11/09</p>											
					<p>PROJECT</p> <p>⊕</p>				<p>DATE</p>				<p>TITLE</p> <p>2.00mm Pitch WTB Conn. Housing With TPA</p>															
					<p>DATE</p> <p>2021/02/24</p>				<p>REV</p> <p>A1</p>				<p>ECN ON.</p> <p>ER120210224005</p>				<p>DESCRIPTION</p> <p>Increase the SWB LOGO</p>				<p>MODIFY</p> <p>Xiaohu Jiang</p>				<p>APPROVAL</p> <p>Jinjiang yang</p>			
					<p>UNIT</p> <p>mm</p>				<p>SCALE</p> <p>3:1</p>				<p>SHEET</p> <p>1/1</p>				<p>REV</p> <p>A1</p>				<p>NUMBER</p> <p>XXXX</p>							

RoHS

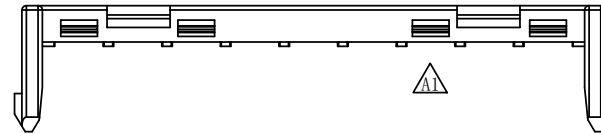
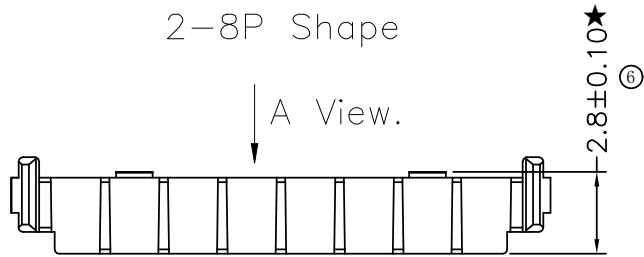
This products can apply to the SWB Doc NO. QA-3-04-005 of Environmental&Material Management Rules

RD-1



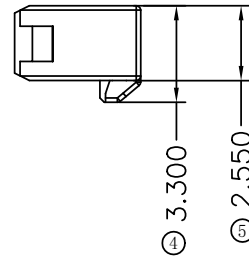
2-8P Shape

A View.



9-15P Shape

A View



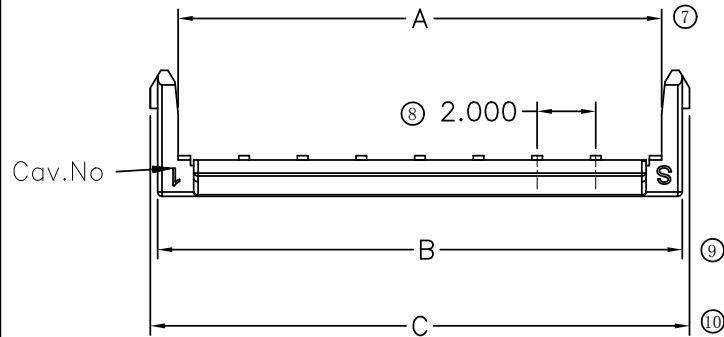
Specifications :

The surface of the product should not shrink, scratch, lack of glue, bubble, Wiredrawing, indentation, different color, oil, wearing edge, top white, Bad appearance such as streaks

• Suitable SWB Housing:2022H

C2022-XX -4T NC
① ② ③ ④

- ① Series No.
- ② Row No.-Pin No: XX-02~15Pin
- ③ Plastic material: 4T- PA4T+GF
- ④ Color: NC-Natural Color



Poles	Dimensions (mm)			Poles	Dimensions (mm)		
	A	B	C		A	B	C
02	5.10	6.70	7.10	09	18.50	19.90	20.40
03	6.40	8.00	8.40	10	20.50	21.90	22.40
04	8.40	10.00	10.40	11	22.50	23.90	24.40
05	10.50	11.90	12.40	12	24.50	25.90	26.40
06	12.50	13.90	14.40	13	26.50	27.90	28.40
07	14.50	15.90	16.40	14	28.50	29.90	30.40
08	16.50	17.90	18.40	15	30.50	31.90	32.40

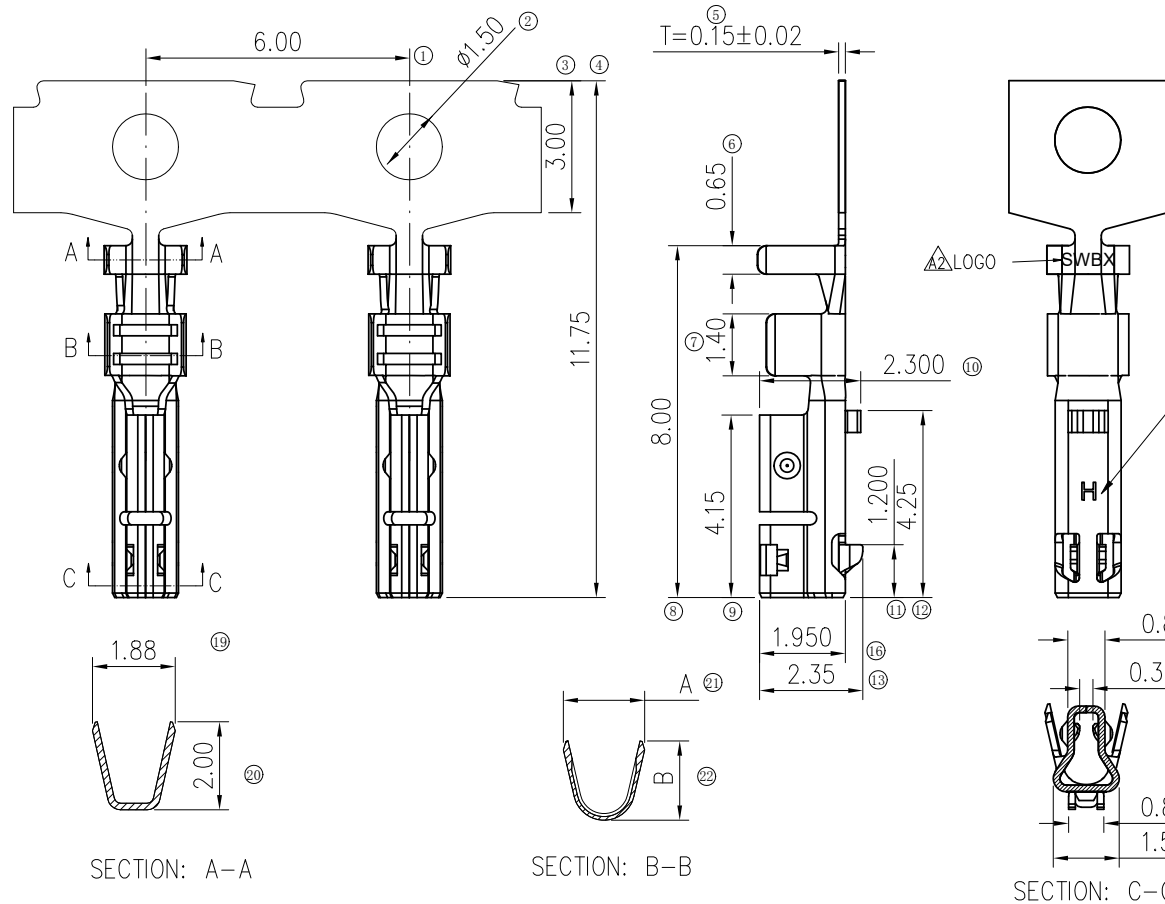
						GENERAL TOLERANCE		东莞市思索连接器有限公司 SWB CONNECTORS CO.,LTD				PART NO. C2022-XX-4TNC				
						.X ±0.30 .XX ±0.20 .XXX ±0.10 X.° ±2°						APPROVAL				TITLE 2.00mm Pitch WTB Conn. TPA
2021/03/19	A1	ER120210319001	9~15pin add card point	Xiaohu	Jiang Jinjiang yang	PROJECT		Jason Huang	Harvey Yan	Xiaohu Jiang	2019/11/09	UNIT	SCALE	SHEET	REV	NUMBER
DATE	REV	ECN ON.	DESCRIPTION	MODIFY	APPROVAL							mm	4:1	1/1	A1	XXXX

RoHS

This products can apply to the SESO Doc NO. QA-3-04-005 of Environmental&Material Management Rules

■ Specification:

- Voltage rating: 125V AC / DC
- Current rating: 3A AC / DC
- Withstanding voltage: 500V AC/minute
- Temperature range:
 - 40°C~+105°C(Phosphor Bronze)
 - 40°C~+125°C(High conductivity copper)
- Insulation resistance: $\geq 1000M\Omega$
- Contact resistance: $\leq 10m\Omega$
- After environmental testing: $\leq 20m\Omega$



Material mark
H-High conductivity copper
Blank(no mark)-Phosphor bronze

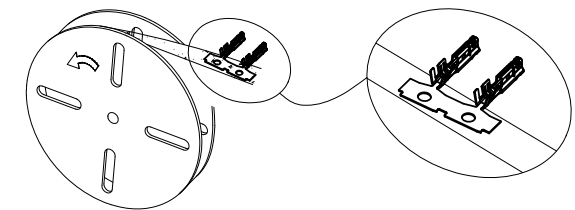
2022 T X - X SN1

① ②③ ④ ⑤

- ① Series Number: 2022
- ② Category: T - Terminal
- ③ Shape: Blank-Low Barrel ; H-High Barrel
- ④ Material: H-High conductivity copper
P-Phosphor Bronze

Plating code:

- ⑤ SN1-40~120u"(1~3um)Ni,
80~200u"(2~5um)Tin



After Plating

2022TH-XSN1	AWG#22~24 (0.35~0.22mm ²)	Ø1.5mm Max	2022H	1.85	1.80
2022T-XSN1	AWG#24~26 (0.22~0.13mm ²)	Ø1.4mm Max		1.25	1.35
P/N	Wire Range	Insulation O.D.	Suitable SWB Housing	Dim A	Dim B

2023/02/15	A3	/	Modified surface	Wangcheng	Larry Yang
2021/02/24	A2	ER120210224006	New SWB logo	Xiaohu Jiang	Jinjiang Yang
2020/10/07	A1	/	Add plating code"Y2" and plating process	Xiaohu Jiang	Harvey Yan
DATE	REV	ECN NO.	DESCRIPTION	MODIFY	APPROVAL

GENERAL TOLERANCE	
.X	±0.30
.XX	±0.20
.XXX	±0.10
X.' ±2'	
PROJECT	

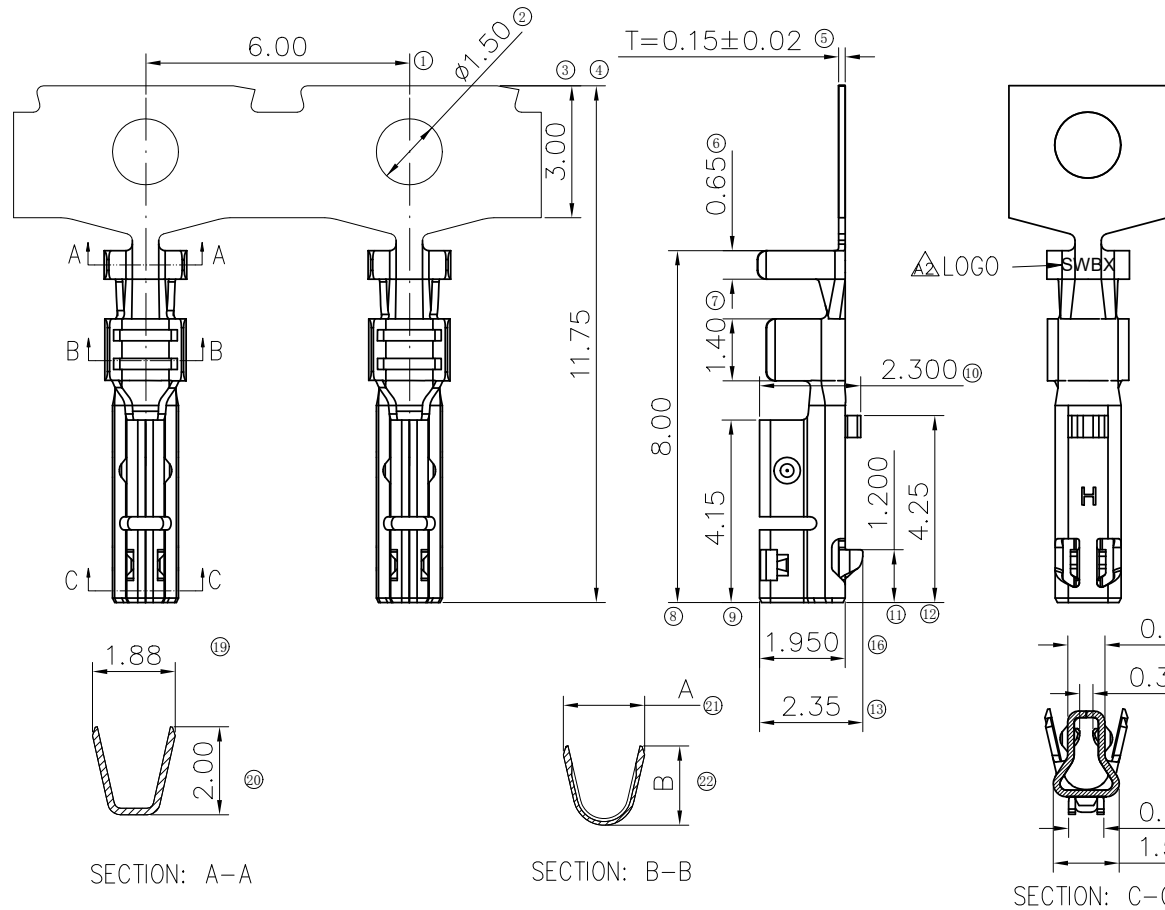
SMS 东莞市思索技术股份有限公司
Dongguan SESO Technology Co.,Ltd.

APPROVAL	CHECK	DRAWN	DATE
Kim Huang	Harvey Yan	Xiaohu Jiang	2019/11/09

PART NO. 2022TX-XSN1				
TITLE 2.00mm Pitch WTB Conn. Terminal				
UNIT	SCALE	SHEET	REV	NUMBER
mm	6:1	1/1	A3	A-000

RoHS

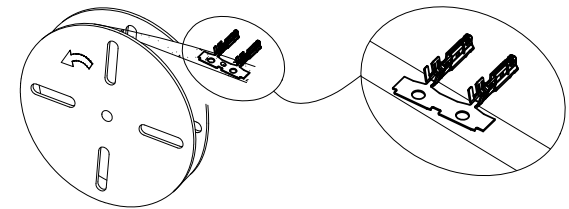
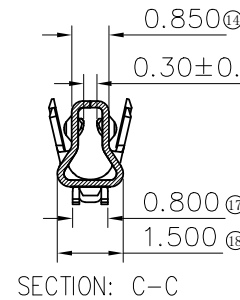
This products can apply to the SESO Doc NO. QA-3-04-005 of Environmental&Material Management Rules



- Specification:
- Voltage rating: 125V AC / DC
 - Current Rating: 3A AC/DC(0.35mm² Wire)
 - Temperature range: -40°C~+125°C
 - Contact Resistance: ≤10mΩ (Initial)
≤20mΩ (After Testing)
 - Mates With SWB Housing: A2022-XX
 - Packaging Drawing: PK-2022TX-HY2B
 - Product Specification: PS-2022-01
 - Symbols for SPC Dimensions: ★

2022 I X - H Y2 B
① ②③ ④ ⑤ ⑥

- ① Series No.: 2022
- ② Category: T - Terminal
- ③ Shape: Blank-Low Feet ; H-High Feet
- ④ Material: H-High Conductivity Copper
- ⑤ Plating Code: Y2-40~120u"(1~3um)Tin Δ
Plating Process:
- ⑥ B-Stamping After Plating Δ



After Plating

2022TH-HY2B	AWG#22~24 (0.35~0.22mm ²)	φ1.5mm Max	1.85	1.80
2022T-HY2B	AWG#24~26 (0.22~0.13mm ²)	φ1.4mm Max	1.25	1.35
P/N	Wire Range	Insulation O.D.	Dim A	Dim B

2023/02/15	A3	/	Modified surface	Wangcheng	Larry Yang
2021/02/24	A2	ER120210224006	New SWB logo	Xiaohu Jiang	Jinjiang Yang
2020/10/07	A1	/	Add plating code"Y2" and plating process	Xiaohu Jiang	Harvey Yan
DATE	REV	ECN NO.	DESCRIPTION	MODIFY	APPROVAL

GENERAL TOLERANCE
.X ±0.30
.XX ±0.20
.XXX±0.10
X.' ±2'
PROJECT

SMS 东莞市思索技术股份有限公司
Dongguan SESO Technology Co.,Ltd.

APPROVAL	CHECK	DRAWN	DATE
Jason Huang	Larry Yang	Wangcheng	2023/02/10

PART NO. 2022TX-HY2B				
TITLE 2.00mm Pitch WTB Conn. Terminal				
UNIT	SCALE	SHEET	REV	NUMBER
mm	6:1	1/1	A3	A-000

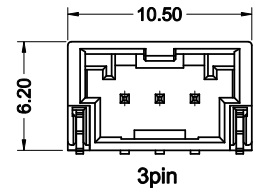
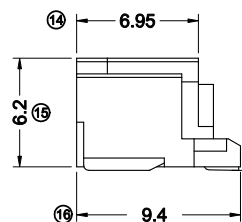
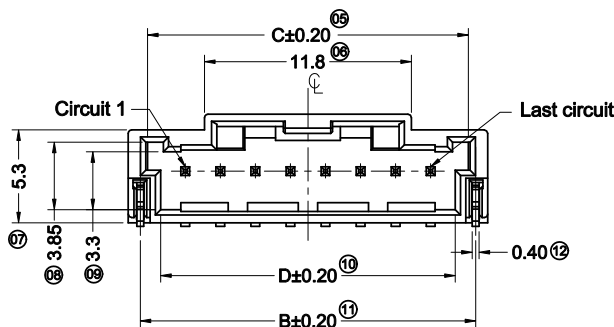
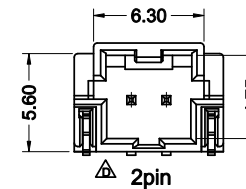
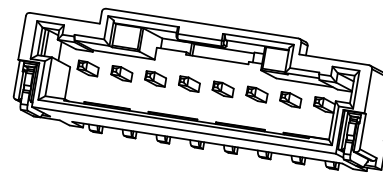
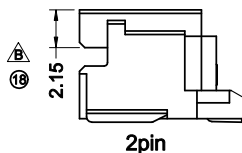
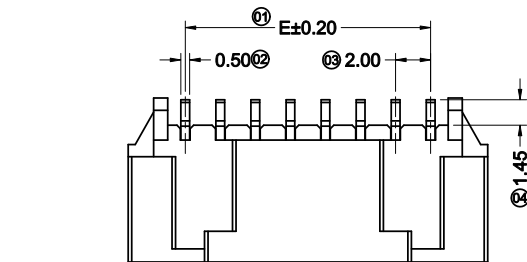
RoHS

This products can apply to the SESO Doc NO. QA-3-04-005 of Environmental&Material Management Rules

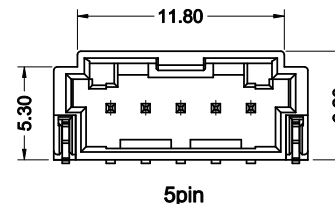
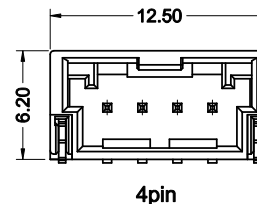
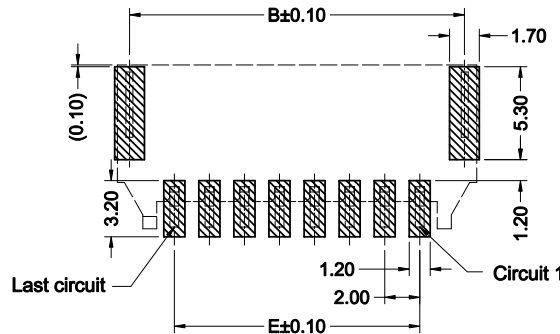
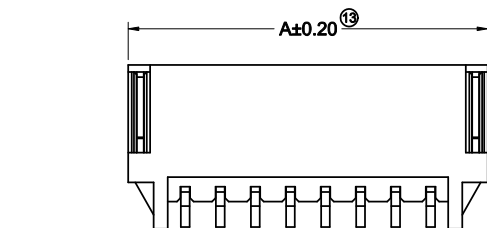
- Specifications :
- Voltage rating: 125V AC / DC
 - Current rating: 3A AC / DC
 - Withstanding voltage: 500V AC/minute
 - Temperature range: -40°C~+125°C
 - Insulation resistance: ≥1000MΩ
 - Contact resistance: ≤10mΩ
 - After environmental testing: ≤20mΩ
 - Material(Pin): Brass
 - Mates With SWB Housing: 2008H
 - "★" Critical dimension

2008 W R S - 1 x XX - XX X B 05 R R XXX Q
 ① ② ③ ④ ⑤ ⑥ ⑦ ⑧ ⑨ ⑩ ⑪ ⑫ ⑬

- ① Series No.
- ② Category: W-wafer
- ③ Connector Type: R-Right Angle 90°
- ④ Mounting Type: S-SMT
- ⑤ Row No.-Pin No Per Row: 1xXX-Single Row 1xXXPin
- ⑥ Plastic material: 9T- PA9T UL94V-0; LP- LCP UL94V-0
- ⑦ Color: N-Natural; B-Black; R-Red; L-Blue
- ⑧ Metal material: B-Brass
- ⑨ Plating Code: 05-Matte Tin 30-Contact Gold Flash
- ⑩ Packing: R-Reel
- ⑪ RoHS/HF: H-Halogen-Free R-Rohs
- ⑫ Sequence Number: 002-Coldsealing ; 02C-Heatsealing
- ⑬ Special code: Q-Automotive Connectors



0.10 ⑳★



RECOMMENDED P.C.B LAYOUT
(TOLERANCE:±0.05)

Poles	Dimensions (mm)				
	A	B	C	D	E
02	8.50	7.13	6.30	4.80	2.00
03	10.50	9.13	8.30	6.80	4.00
04	12.50	11.13	10.30	8.80	6.00
05	14.50	13.13	12.30	10.80	8.00
06	16.50	15.13	14.30	12.80	10.00
07	18.50	17.13	16.30	14.80	12.00
08	20.50	19.13	18.30	16.80	14.00
09	22.50	21.13	20.30	18.80	16.00
10	24.50	23.13	22.30	20.80	18.00
11	26.50	25.13	24.30	22.80	20.00
12	28.50	27.13	26.30	24.80	22.00
13	30.50	29.13	28.30	26.80	24.00
14	32.50	31.13	30.30	28.80	26.00
15	34.50	33.13	32.30	30.80	28.00

DATE	REV	ECN NO.	DESCRIPTION	MODIFY	APPROVAL
2022/10/06	E1		Added contact area gold plated G/F specification	Xue	Larry
2021/12/16	E	EN20211216001	Modify the first pin label	Xue	Larry

GENERAL TOLERANCE

- .X ±0.30
- .XX ±0.20
- .XXX ±0.10
- X: ±2°

PROJECT

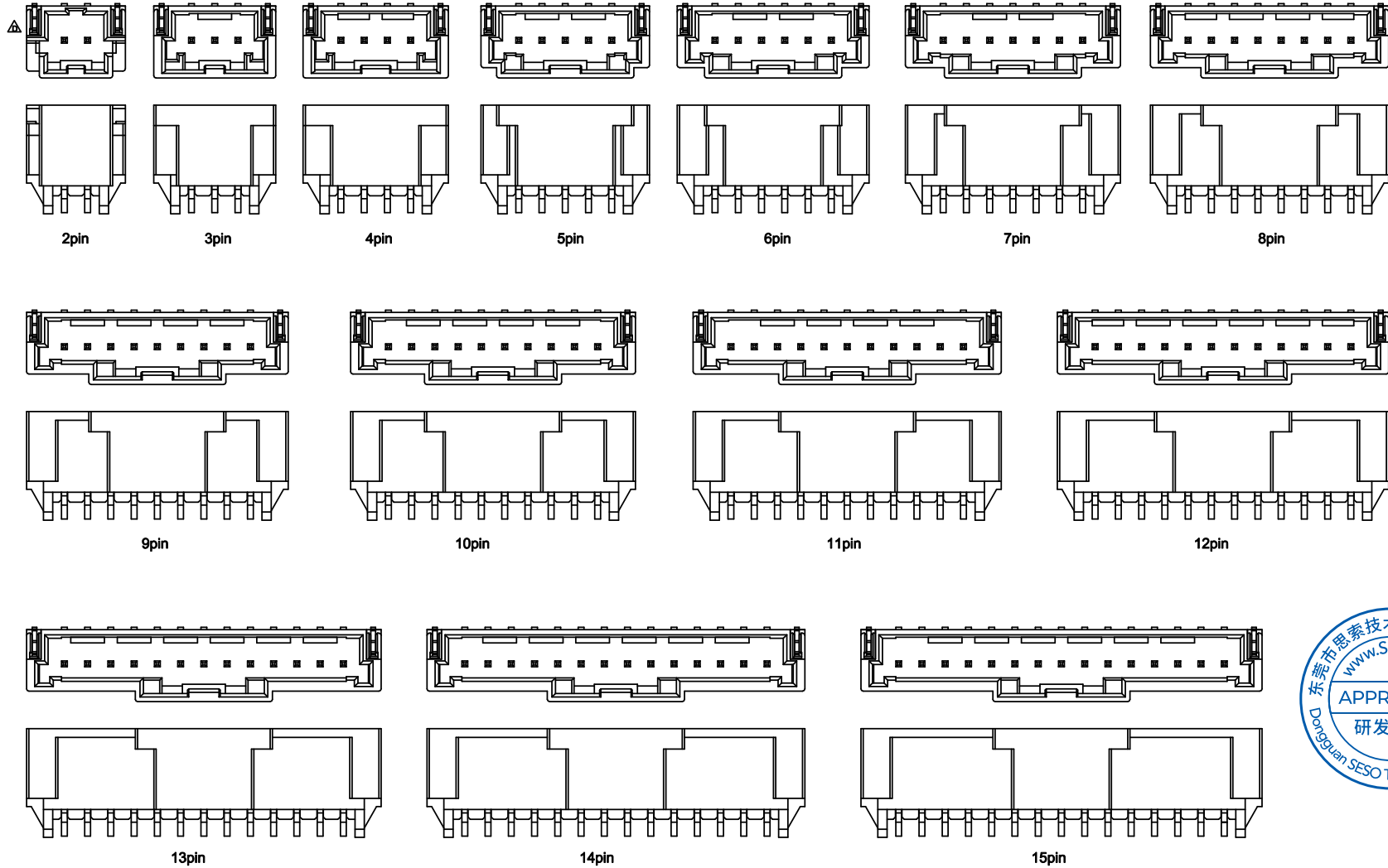
SMS 东莞市思索技术股份有限公司
Dongguan SESO Technology Co.,Ltd.

PART NO.				
2008WRS-1xXX-XXXB05RRXXXQ				
TITLE				
Pitch 2.00 mm 90° SMT Wafer Connectors				
UNIT	SCALE	SHEET	REV	NUMBER
mm	1:1	1/2	E1	A-000

APPROVAL	CHECK	DRAWN	DATE
Robing	Joshua	Alan qin	2018/10/16

RoHS

This products can apply to the SESO Doc NO. QA-3-04-005 of Environmental&Material Management Rules

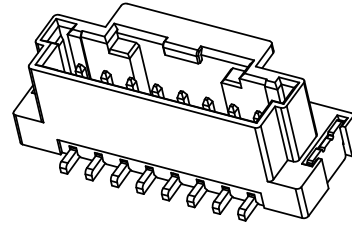
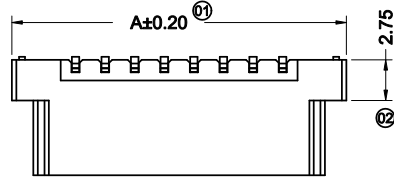


						GENERAL TOLERANCE				PART NO.				
						.X ±0.30				2008WRS-1xXX-XXB05RRXXQX				
2022/10/06						.XX ±0.20				TITLE				
2021/12/16						.XXX±0.10				Pitch 2.00 mm 90° SMT Wafer Connectors				
DATE						X: ±2°				UNIT				
REV						PROJECT				mm				
ECN NO.						APPROVAL				SCALE				
DESCRIPTION						ROBING				SHEET				
MODIFY						JOSHUA				REV				
APPROVAL						ALAN QIN				NUMBER				
						2018/10/16				E1				
						A-000								

SMS 东莞市思索技术股份有限公司
Dongguan SESO Technology Co.,Ltd.

RoHS

This products can apply to the SESO Doc NO. QA-3-04-005 of Environmental&Material Management Rules

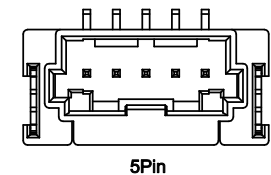
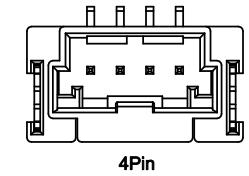
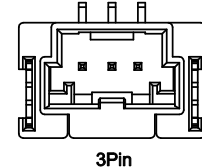
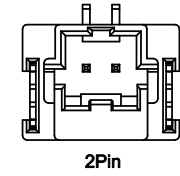
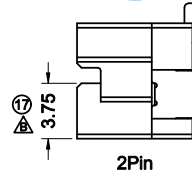
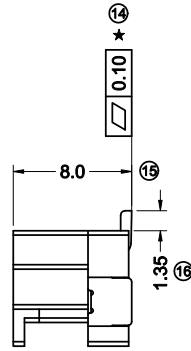
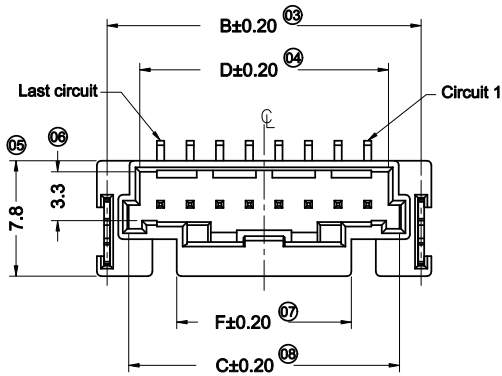


- Specifications :**
- Voltage rating: 125V AC / DC
 - Current rating: 3A AC / DC
 - Withstanding voltage: 500V AC/minute
 - Temperature range: -40°C~+125°C
 - Insulation resistance: ≥1000MΩ
 - Contact resistance: ≤10mΩ
 - After environmental testing: ≤20mΩ
 - Material(Pin): Brass
 - Mates With SWB Housing: 2008H
 - * "★" Critical dimension

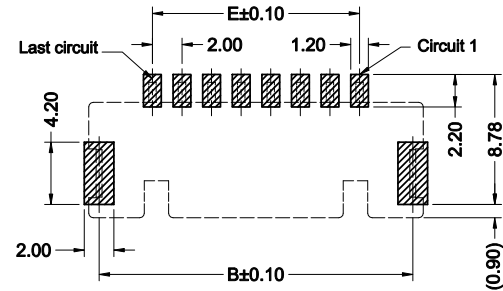


2008 W V S - 1 x XX - XX X B XX X R XXX Q
 ① ② ③ ④ ⑤ ⑥ ⑦ ⑧ ⑨ ⑩ ⑪ ⑫ ⑬

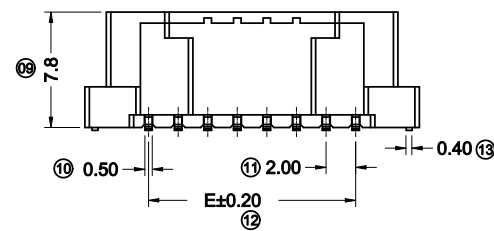
- ① Series No.
- ② Category: W-wafer
- ③ Connector Type: V-Straight 180°
- ④ Mounting Type: S-SMT
- ⑤ Row No.-Pin No: 1xXX-Single Row 1xXXPin
- ⑥ Plastic material: 9T- PA9T 94V-0; LP- LCP 94V-0
- ⑦ Color: N-Natural; B-Black; R-Red; L-Blue
- ⑧ Metal material: B-Brass
- ⑨ Plating Code: 05-Matte Tin
 30-Contact Area: Gold flash
 Solder Area: Matte Tin
- ⑩ Packing: R-Reel ,Without Mylar
- ⑪ RoHS/HF: R-RoHS H-Halogen-Free
- ⑫ Sequence Number: 002-Coldsealing ; 02C-Heatsealing
- ⑬ Special code :Q-Automotive Connectors



Poles	Dimensions (mm)					
	A	B	C	D	E	F
02	10.60	9.23	6.30	4.80	2.00	6.30
03	12.60	11.23	8.30	6.80	4.00	5.80
04	14.60	13.23	10.30	8.80	6.00	7.80
05	16.60	15.23	12.30	10.80	8.00	9.80
06	18.60	17.23	14.30	12.80	10.00	11.80
07	20.60	19.23	16.30	14.80	12.00	11.80
08	22.60	21.23	18.30	16.80	14.00	11.80
09	24.60	23.23	20.30	18.80	16.00	11.80
10	26.60	25.23	22.30	20.80	18.00	11.80
11	28.60	27.23	24.30	22.80	20.00	11.80
12	30.60	29.23	26.30	24.80	22.00	11.80
13	32.60	31.23	28.30	26.80	24.00	11.80
14	34.60	33.23	30.30	28.80	26.00	11.80
15	36.60	35.23	32.30	30.80	28.00	11.80



RECOMMENDED P.C.B LAYOUT (TOLERANCE:±0.05)



DATE	REV	ECN NO.	DESCRIPTION	MODIFY	APPROVAL	PROJECT	APPROVAL	CHECK	DRAWN	DATE	PART NO.
2021/12/16	D	EN20211216001	Modify the first pin label	Xue	Robing	Robing				2019/01/16	2008WVS-1xXX-XXXBXXRXXXQ
2020/03/16	C	ER20190805001	Update Drawing Frame, The Same ECR And ECN No	Alan qin	Robing	Robing					Pitch 2.00 mm 180° SMT Wafer Connectors
							Robing	Joshua	Alan qin		UNIT: mm, SCALE: 1:1, SHEET: 1/2, REV: D, NUMBER: A-000

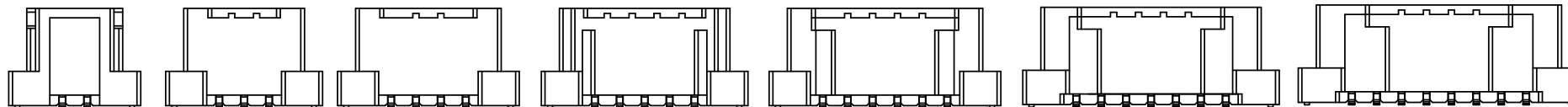
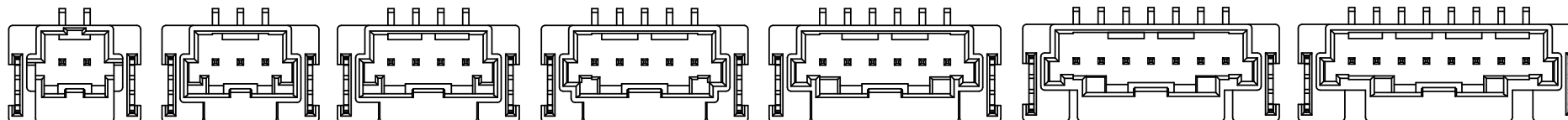
SMS 东莞市思索技术股份有限公司
 Dongguan SESO Technology Co.,Ltd.

GENERAL TOLERANCE
 .X ±0.30
 .XX ±0.20
 .XXX ±0.10
 X.' ±Z'
 PROJECT

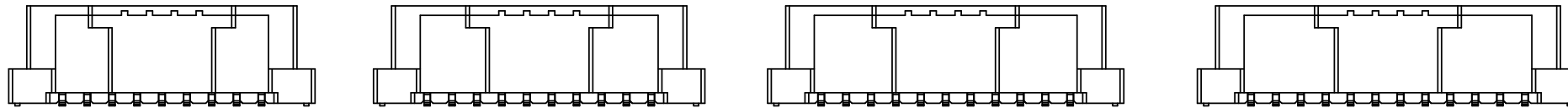
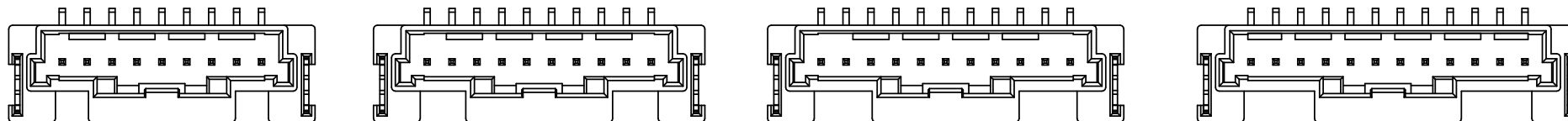
PART NO.
 2008WVS-1xXX-XXXBXXRXXXQ
 TITLE
 Pitch 2.00 mm 180° SMT Wafer Connectors
 UNIT: mm, SCALE: 1:1, SHEET: 1/2, REV: D, NUMBER: A-000

RoHS

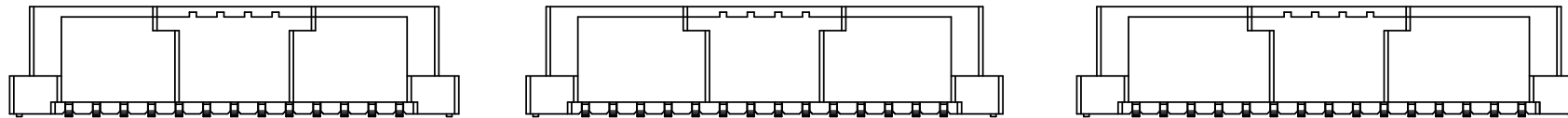
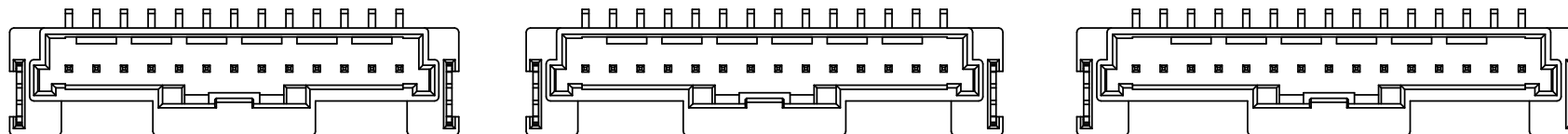
This products can apply to the SESO Doc NO. QA-3-04-005 of Environmental&Material Management Rules



2pin 3pin 4pin 5pin 6pin 7pin 8pin



9pin 10pin 11pin 12pin



13pin 14pin 15pin



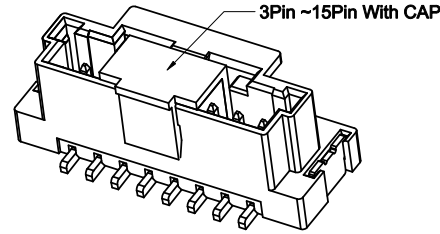
					GENERAL TOLERANCE				PART NO.				
					.X ±0.30				2008WVS-1xXX-XXXBXXRRXXQ				
					.XX ±0.20				TITLE				
					.XXX±0.10				Pitch 2.00 mm 180° SMT Wafer Connectors				
					X.' ±Z'				UNIT SCALE SHEET REV NUMBER				
					PROJECT				mm 1:1 2/2 D A-000				
					APPROVAL				Roving Joshua Alan qin 2019/01/16				
					APPROVAL				Roving Joshua Alan qin 2019/01/16				
					APPROVAL				Roving Joshua Alan qin 2019/01/16				

SMS 东莞市思索技术股份有限公司
Dongguan SESO Technology Co.,Ltd.

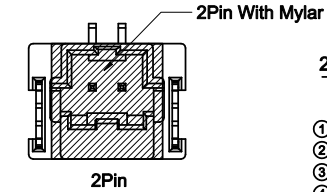
2021/12/16	D	EN20211216001	Modify the first pin label	Xue	Robing
2020/03/16	C	ER20190805001	Update Drawing Frame, The Same ECR And ECN No	Alan qin	Robing
DATE	REV	ECN NO.	DESCRIPTION	MODIFY	APPROVAL

RoHS

This products can apply to the SESO Doc NO. QA-3-04-005 of Environmental&Material Management Rules

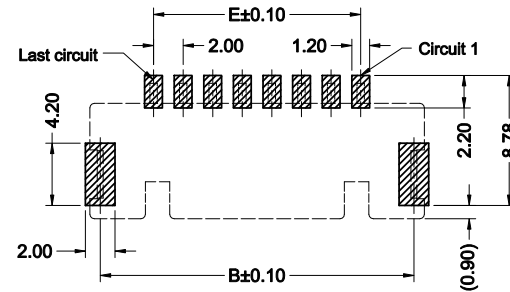
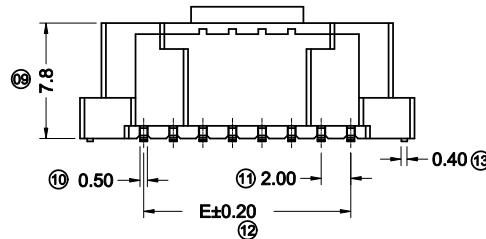
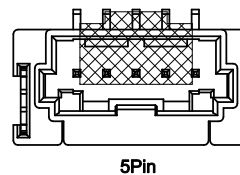
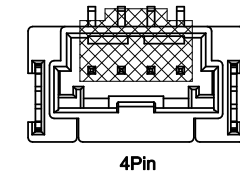
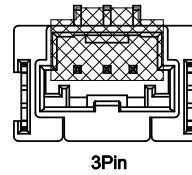
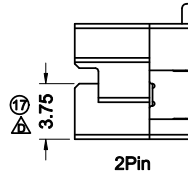
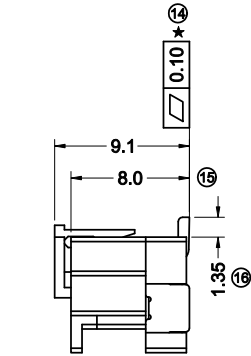
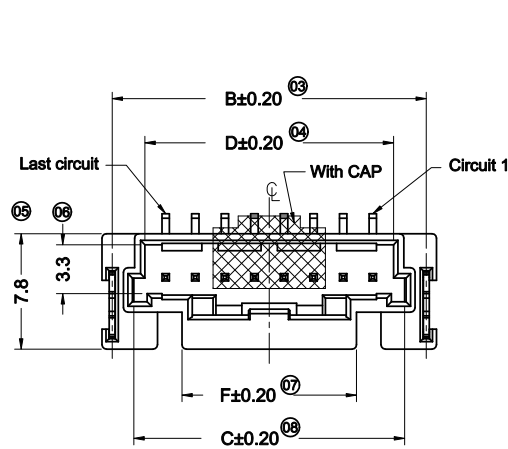
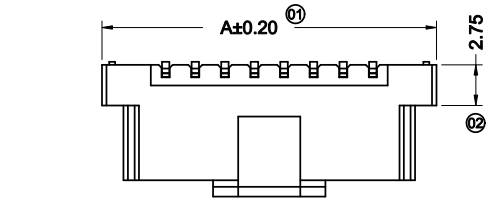


- Specifications :
- Voltage rating: 125V AC / DC
 - Current rating: 3A AC / DC
 - Withstanding voltage: 500V AC/minute
 - Temperature range: -40°C~+125°C
 - Insulation resistance: ≥1000MΩ
 - Contact resistance: ≤10mΩ
 - After environmental testing: ≤20mΩ
 - Material(Pin): Brass
 - Mates With SWB Housing: 2008H
 - "*" Critical dimension



2008 W V S - 1 x XX - XX X B 05 X R XXX Q
 ① ② ③ ④ ⑤ ⑥ ⑦ ⑧ ⑨ ⑩ ⑪ ⑫ ⑬

- ① Series No.
- ② Category: W-wafer
- ③ Connector Type: V-Straight 180°
- ④ Mounting Type: S-SMT
- ⑤ Row No.-Pin No Per Row: 1xXX-Single Row 1xXXPin
- ⑥ Plastic material: 9T- PA9T 94V-0; LP- LCP 94V-0
- ⑦ Color: N-Natural; B-Black; R-Red; L-Blue
- ⑧ Metal material: B-Brass
- ⑨ Plating Code: 05-Matte Tin
- ⑩ Packing: W-Reel ,With Mylar
C-Reel , With CAP
- ⑪ RoHS/HF: R-RoHS H-Halogen-Free
- ⑫ Sequence Number: 002-Coldsealing ; 02C-Heatsealing
- ⑬ Special code :Q-Automotive Connectors



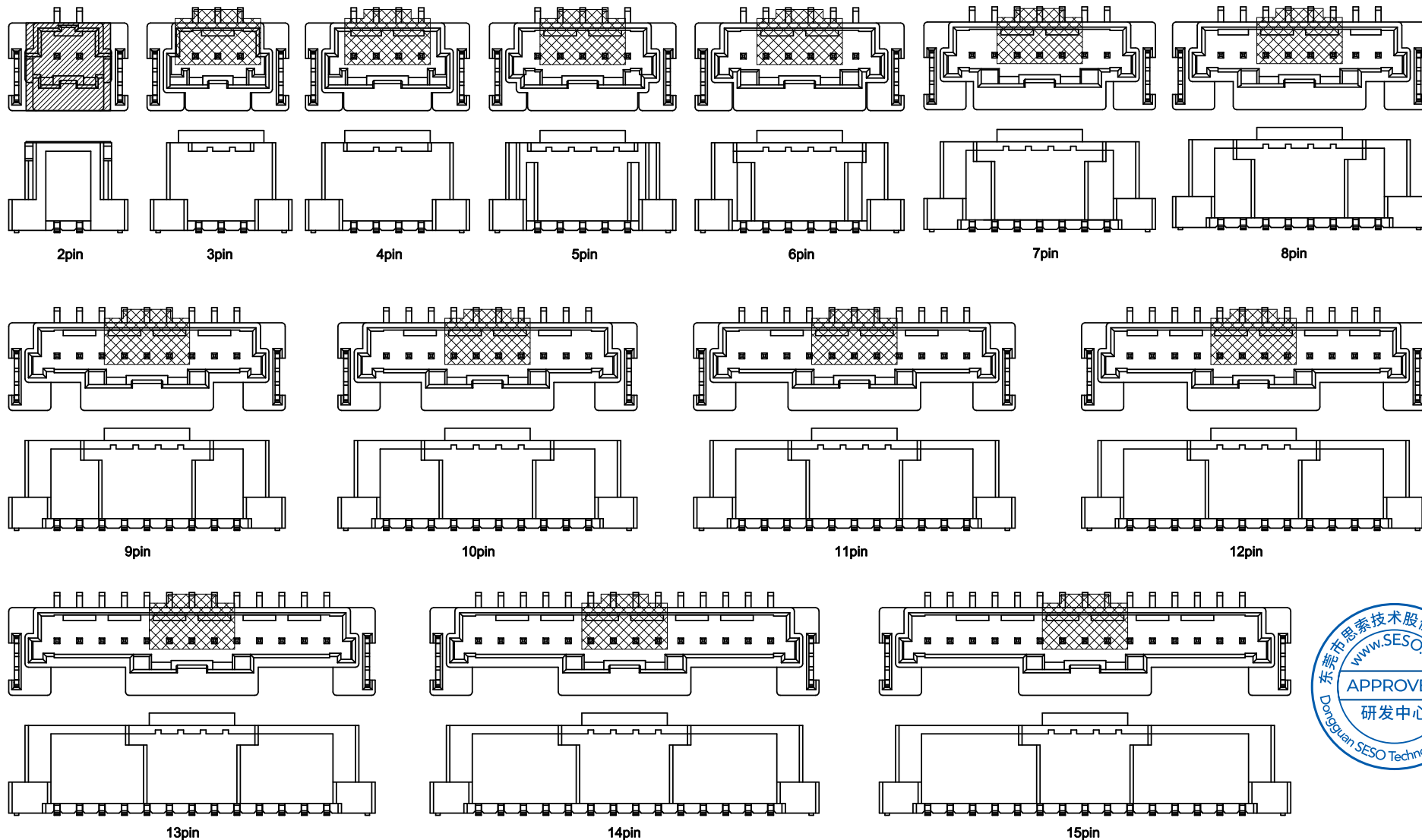
RECOMMENDED P.C.B LAYOUT (TOLERANCE:±0.05)

Poles	Dimensions (mm)					
	A	B	C	D	E	F
02	10.60	9.23	6.30	4.80	2.00	6.30
03	12.60	11.23	8.30	6.80	4.00	5.80
04	14.60	13.23	10.30	8.80	6.00	7.80
05	16.60	15.23	12.30	10.80	8.00	9.80
06	18.60	17.23	14.30	12.80	10.00	11.80
07	20.60	19.23	16.30	14.80	12.00	11.80
08	22.60	21.23	18.30	16.80	14.00	11.80
09	24.60	23.23	20.30	18.80	16.00	11.80
10	26.60	25.23	22.30	20.80	18.00	11.80
11	28.60	27.23	24.30	22.80	20.00	11.80
12	30.60	29.23	26.30	24.80	22.00	11.80
13	32.60	31.23	28.30	26.80	24.00	11.80
14	34.60	33.23	30.30	28.80	26.00	11.80
15	36.60	35.23	32.30	30.80	28.00	11.80

DATE	REV	ECN NO.	DESCRIPTION	MODIFY	APPROVAL	PROJECT	APPROVAL	CHECK	DRAWN	DATE	PART NO.					
2021/12/16	F	EN20211216001	Modify the first pin label	Xue	Robing	GENERAL TOLERANCE	东莞市思索技术股份有限公司 Dongguan SESO Technology Co.,Ltd.	APPROVAL	CHECK	DRAWN	DATE	PART NO.				
2020/03/16	E	ER20190805001	Update Drawing Frame, The Same ECR And ECN No	Alan qin	Robing	.X ±0.30						2008WVS-1xXX-XXXBXXRXXXQ				
						.XX ±0.20						TITLE				
						.XXX±0.10						Pitch 2.00 mm 180° SMT Wafer Connectors				
						X.' ±Z'	Robing	Joshua	Alan qin	2019/01/16		UNIT	SCALE	SHEET	REV	NUMBER
						PROJECT						mm	1:1	1/2	F	A-000

RoHS

This products can apply to the SESO Doc NO. QA-3-04-005 of Environmental&Material Management Rules



					GENERAL TOLERANCE				PART NO.				
					.X ±0.30				2008WVS-1xXX-XXXBXXRRXXQ				
					.XX ±0.20				TITLE				
					.XXX±0.10				Pitch 2.00 mm 180° SMT Wafer Connectors				
					X.' ±Z'				UNIT SCALE SHEET REV NUMBER				
					PROJECT				mm 1:1 2/2 F A-000				
					APPROVAL				APPROVAL CHECK DRAWN DATE				
					Robing				Robing Joshua Alan qin 2019/01/16				
					DATE								
					REV								
					ECN NO.								
					DESCRIPTION								
					MODIFY								
					APPROVAL								

SMS 东莞市思索技术股份有限公司
Dongguan SESO Technology Co.,Ltd.