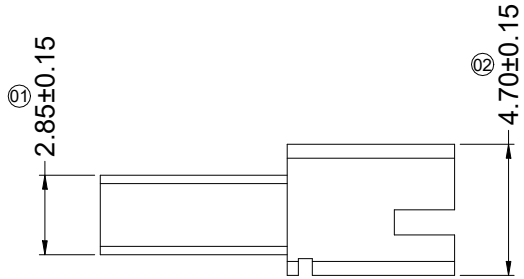
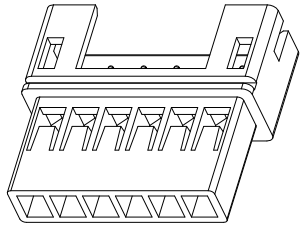


RoHS

This products can apply to the SESO Doc NO. QA-3-04-005 of Environmental&Material Management Rules



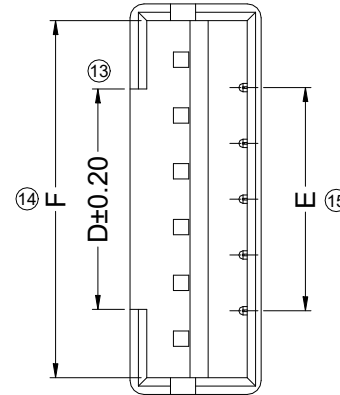
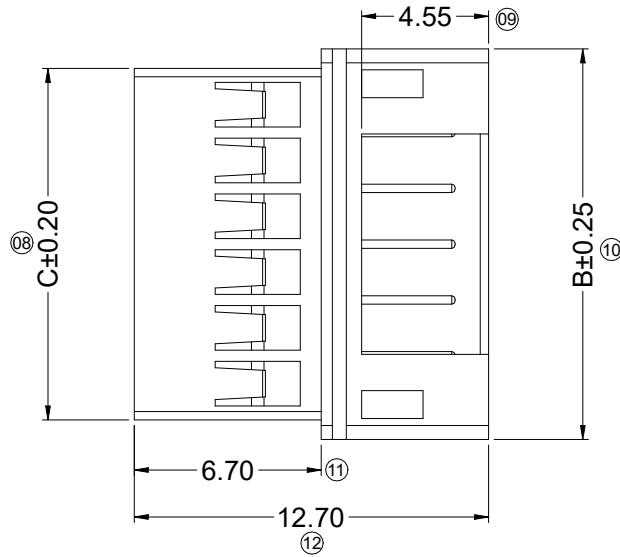
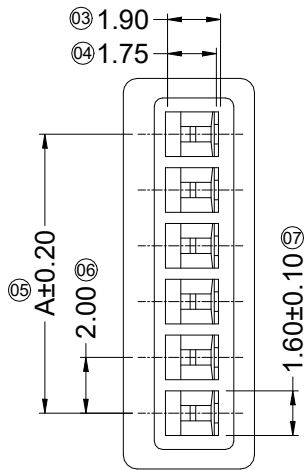
■ Specifications :

- Voltage rating: 250V AC / DC
- Current rating: 2A AC / DC
- Withstanding voltage: 800V AC/minute
- Temperature range: -25°C~+85°C
- Insulation resistance: ≥1000MΩ
- Contact resistance: ≤10mΩ
- After environmental testing: ≤20mΩ
- Mates With SESO Housing: 2016TM

2016 H F - XX X - N0 XX

① ② ③ ④ ⑤ ⑥ ⑦

- ① Series No.
- ② Category: H-HSG
- ③ Welding Board Angle: F-Female HSG
- ④ Row No.-Pin No Per Row: XX-02P~12P
- ⑤ Plug The Pin & Special No.:
- ⑥ Plastic Material: N0-PA66 94V-0;
- ⑦ Color: Blank-Natural Color; BK-Black



Poles	Dimensions mm					
	A	B	C	D	E	F
2	2.00	6.00	4.60	0.80	0.00	4.80
3	4.00	8.00	6.60	2.10	2.00	6.80
4	6.00	10.00	8.60	3.90	4.00	8.80
5	8.00	12.00	10.60	5.90	6.00	10.80
6	10.00	14.00	12.60	7.90	8.00	12.80
7	12.00	16.00	14.60	9.90	10.00	14.80
8	14.00	18.00	16.60	11.90	12.00	16.80
9	16.00	20.00	18.60	13.90	14.00	18.80
10	18.00	22.00	20.60	15.90	16.00	20.80
11	20.00	24.00	22.60	17.90	18.00	22.80
12	22.00	26.00	24.60	19.90	20.00	24.80

GENERAL TOLERANCE	
.X	±0.30
.XX	±0.20
.XXX	±0.10
X.°	±2°
PROJECT	

SMS 东莞市思索技术股份有限公司
Dongguan SESO Technology Co.,Ltd.

APPROVAL	CHECK	DRAWN	DATE
Jack Zhang	Larry Yang	Guo	2020.8.04

PART NO.
2016HF-XXX-N0XX

TITLE
2.00mm Crimp Style Connectors

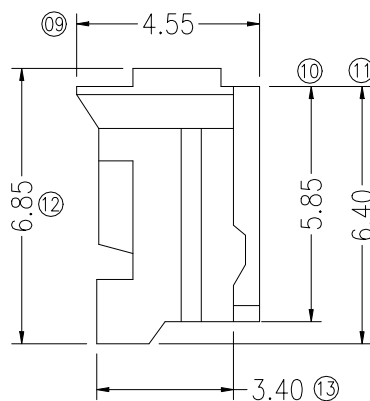
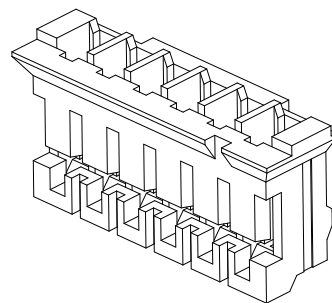
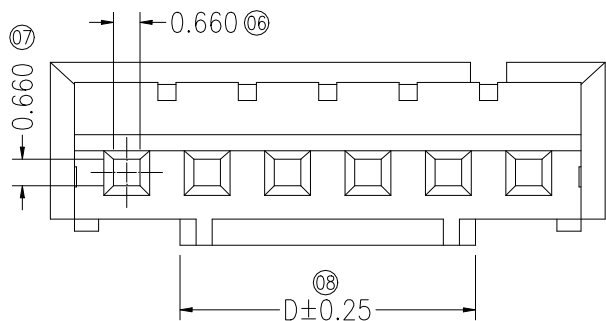
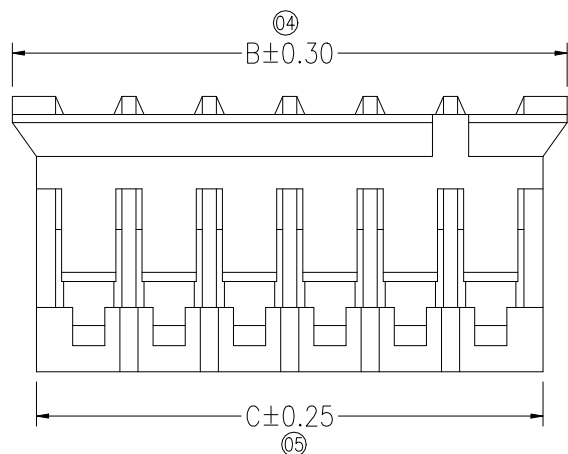
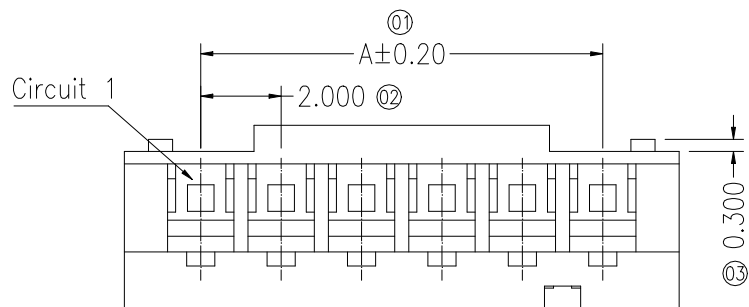
UNIT	SCALE	SHEET	REV	NUMBER
mm	1:1	1/1	A	A-043

DATE	REV	ECN NO.	DESCRIPTION	MODIFY	APPROVAL
------	-----	---------	-------------	--------	----------

1 | 2 | 3 | 4 | 5 | 6 | 7 | 8

RoHS

This products can apply to the SESO Doc NO. QA-3-04-005 of Environmental&Material Management Rules



Specifications :

- Voltage rating: 100V AC / DC
- Current rating: 2A AC / DC
- Withstanding voltage: 800V AC/minute
- Temperature range: -25°C~+85°C
- Insulation resistance: ≥1000MΩ
- Contact resistance: ≤10mΩ
- After environmental testing: ≤20mΩ
- Suitable SESO Terminal: 2016T
- Mates With SESO Wafer: 2016W

2016 H X-XX X-N0 HF-X
 ① ② ③ ④ ⑤ ⑥ ⑦ ⑧

- ① Series No.
 - ② Category: H-HSG
 - ③ Mounting Type: Blank-Ordinary
 - ④ Row No.-Pin No Per Row: XX-02P~20P
 - ⑤ Special No.: Blank-Ordinary
 - ⑥ Plastic material: N0-PA66 94V-0
 - ⑦ RoHS/HF Code: HF-Halogen Free
 - ⑧ Special No.: Blank-Ordinary
- C-Glowing Filament



Poles	Dimensions mm				Poles	Dimensions mm			
	A	B	C	D		A	B	C	D
02	2.00	5.80	4.60	0.70	10	18.00	21.80	20.60	15.35
03	4.00	7.80	6.60	1.20	11	20.00	23.80	22.60	17.35
04	6.00	9.80	8.60	3.35	12	22.00	25.80	24.60	19.35
05	8.00	11.80	10.60	5.35	13	24.00	27.80	26.60	21.35
06	10.00	13.80	12.60	7.35	14	26.00	29.80	28.60	23.35
07	12.00	15.80	14.60	9.35	15	28.00	31.80	30.60	25.35
08	14.00	17.80	16.60	11.35	16	30.00	33.80	32.60	27.35
09	16.00	19.80	18.60	13.35					

20200302	B	EN20200318002	Update Drawing Frame	YYting	Robing
DATE	REV	ECN NO.	DESCRIPTION	MODIFY	APPROVAL
1					

GENERAL TOLERANCE	.X ±0.30
	.XX ±0.20
	.XXX±0.10
	X' ±2'
PROJECT	

SMS 东莞市思索技术股份有限公司
 Dongguan SESO Technology Co.,Ltd.

APPROVAL	CHECK	DRAWN	DATE
Jack Zhang	Larry Yang	Guo	2014/06/13

PART NO: 2016H-XX-N0XX-X				
TITLE: 2.00 mm Crimp Style Connectors				
UNIT	SCALE	SHEET	REV	NUMBER
mm	1:1	1/3	B	A-000

RoHS

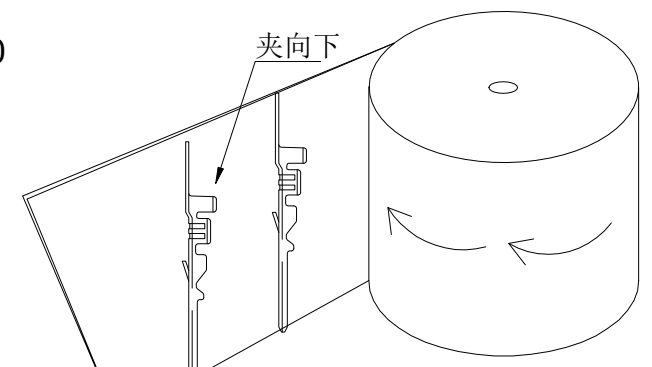
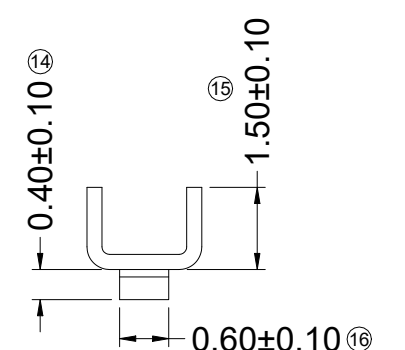
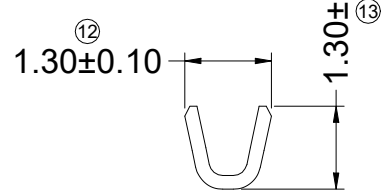
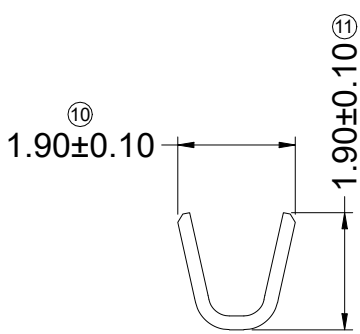
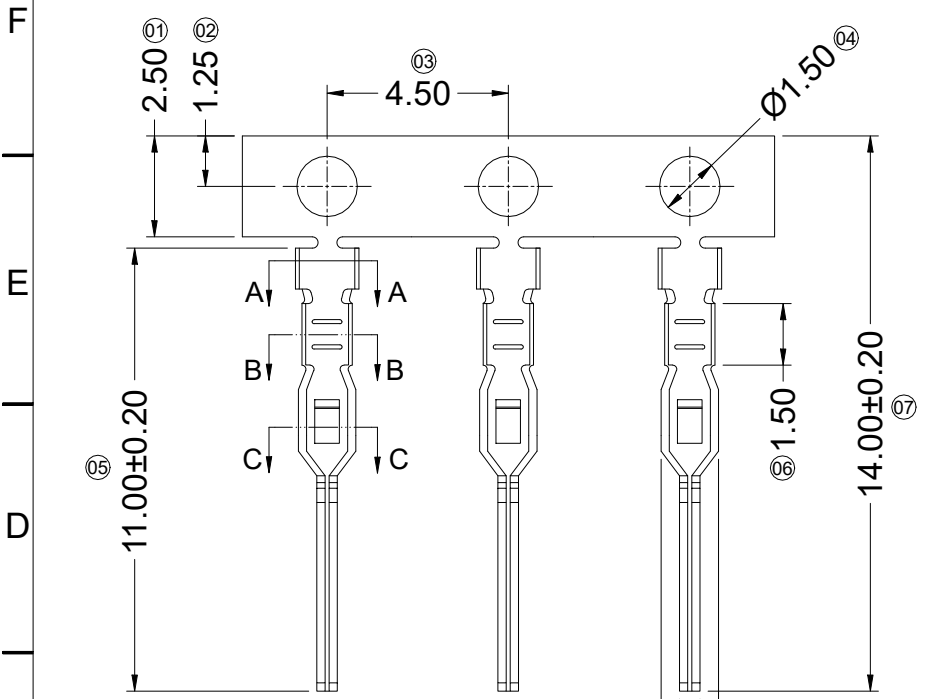
This products can apply to the SESO Doc NO. QA-3-04-005 of Environmental&Material Management Rules

Specifications :

- Voltage rating: 100V AC / DC
- Current rating: 2A AC / DC
- Withstanding voltage: 800V AC/minute
- Temperature range: -25°C~+85°C
- Insulation resistance: ≥1000MΩ
- Contact resistance: ≤10mΩ
- After environmental testing: ≤20mΩ
- Material(Pin): Phosphor Dronze
- Mates With SESO Housing: 2016HF

2016 T M - P XX X - X
① ② ③ ④ ⑤ ⑥ ⑦

- ① Series Number
- ② Category: T-Terminal
- ③ Shape: M-Male
- ④ Metal Material: P-Phosphor Dronze B-Brass
- ⑤ Plating Code: SN-Bright Tin Plating G-Gold Flash
- ⑥ Plating Method: Blank-Stamping Before Plating
- ⑦ Mold No./Mark/Special No.



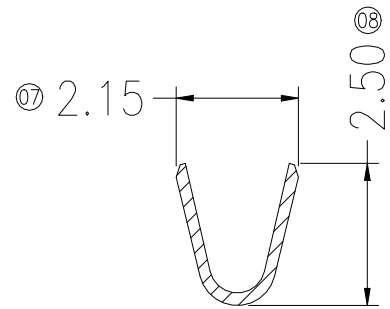
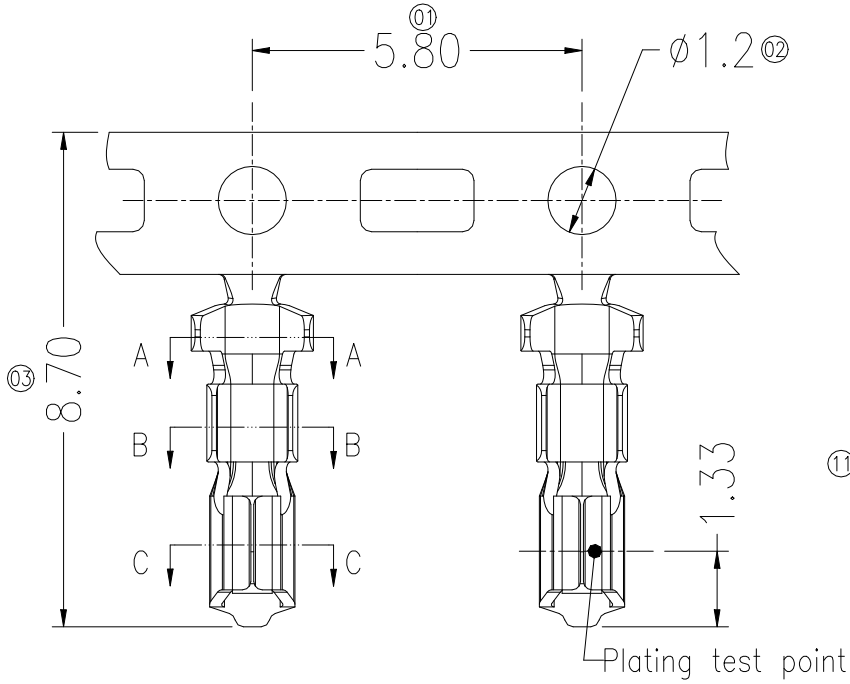
DATE	REV	ECN NO.	DESCRIPTION	MODIFY	APPROVAL
1		2	3	4	5

GENERAL TOLERANCE				东莞市思索技术股份有限公司 Dongguan SESO Technology Co.,Ltd.	PART NO.			
.X	±0.30				2016TM-PXXX-X			
.XX	±0.20				TITLE			
.XXX	±0.10				2.00mm Crimp Style Connectors			
X.°	±2°				APPROVAL	CHECK	DRAWN	DATE
PROJECT				Jack Zhang	Larry Yang	Guo	2020.8.04	

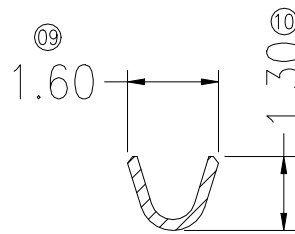
UNIT	SCALE	SHEET	REV	NUMBER
mm	1:1	1/1	A	A-043

RoHS

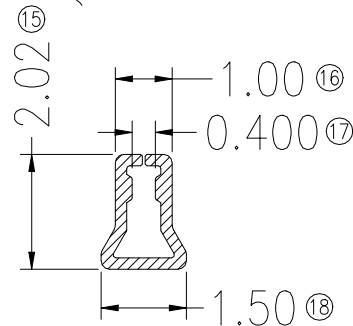
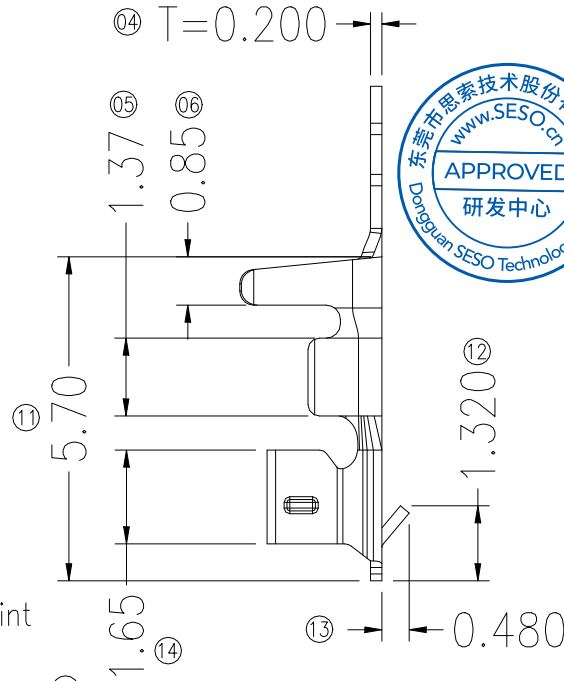
This products can apply to the SESO Doc NO. QA-3-04-005 of Environmental&Material Management Rules



SECTION A-A
SCALE 1:1



SECTION B-B
SCALE 1:1



SECTION C-C
SCALE 1:1



Specifications :

- Voltage rating: 100V AC / DC
- Current rating: 2A AC / DC
- Withstanding voltage: 800V AC/minute
- Temperature range: -25°C~+85°C
- Insulation resistance: ≥1000MΩ
- Contact resistance: ≤10mΩ
- After environmental testing: ≤20mΩ
- Material(Pin): Phosphor bronze
- Wire Range: 24-30 AWG
- Insulation O.D.: 1.50mm(Max)
- Mates With SESO Housing: 2016H

2016 T X -P XXX X -X
① ② ③ ④ ⑤ ⑥ ⑦

- ① Series Number
- ② Category: T-terminal
- ③ Shape: Blank-ordinary
- ④ Material: P-Phosphor bronze
- ⑤ Plating style:
 - V01-Gold Flash;Ni 50u"Min.
 - SN-Bright tin plating;Ni 50u"Min.
 - V10-Contact area gold 10u"Min.; Other area G/F;Ni 30u"Min.
 - V15-Contact area gold 15u"Min.; Other area G/F;Ni 30u"Min.
 - V30-Contact area gold 30u"Min.; Other area G/F;Ni 30u"Min.
- ⑥ Plating method: Blank-Stamping before plating
- ⑦ Mold No./Mark/Special No.

20200319	B	EN20200318002	Update Drawing Frame	YYting	Robing
DATE	REV	ECN NO.	DESCRIPTION	MODIFY	APPROVAL
1					
2					
3					

GENERAL TOLERANCE	
.X	±0.30
.XX	±0.20
.XXX±0.10	
X.* ±Z'	
PROJECT	
①	②

SMS 东莞市思索技术股份有限公司
Dongguan SESO Technology Co.,Ltd.

APPROVAL	CHECK	DRAWN	DATE
Jack Zhang	Larry Yang	Guo	2016/09/12

PART NO: 2016T-PXXX-X				
TITLE: 2.00 mm Crimp Style Connectors				
UNIT	SCALE	SHEET	REV	NUMBER
mm	1:1	1/1	B	A-000

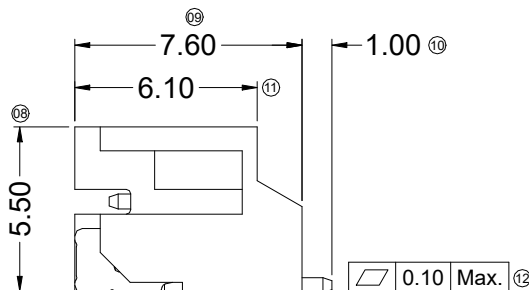
RoHS

This products can apply to the SESO Doc NO. QA-3-04-005 of Environmental&Material Management Rules

- Specifications :
- Voltage rating: 100V AC / DC
 - Current rating: 2A AC / DC
 - Withstanding voltage: 800V AC/minute
 - Temperature range: -25°C~+85°C
 - Insulation resistance: ≥1000MΩ
 - Contact resistance: ≤10mΩ
 - After environmental testing: ≤20mΩ
 - Material(Pin): Brass
 - Material(Solder): Brass
 - Mates With SESO Housing:2016H



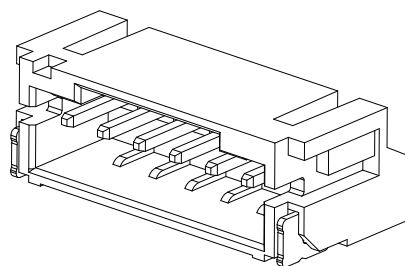
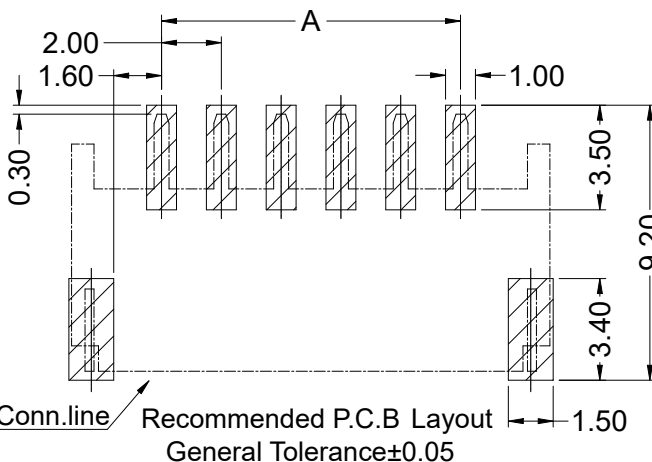
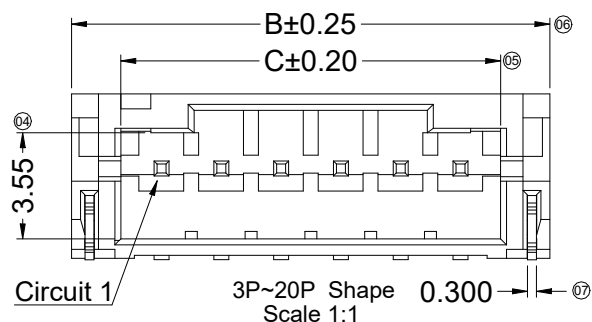
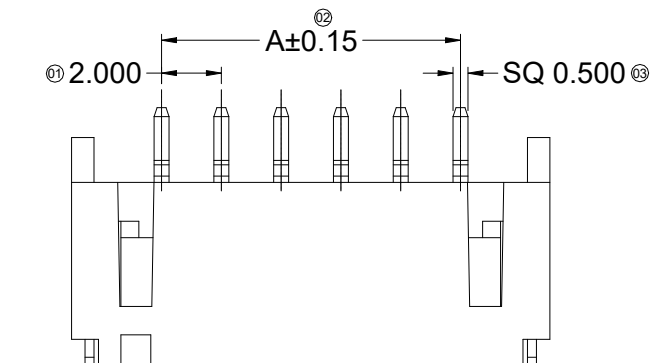
2P Shape
Scale 1:1



2016 W R S - XX X - 9T XXX XX
① ② ③ ④ ⑤ ⑥ ⑦ ⑧ ⑨

- ① Series No.
- ② Category: W-WAFER
- ③ Welding Board Angle: R-Right Angle 90°
- ④ Welding Way: S-SMT
- ⑤ Row No.-Pin No.: XX-02P~20P
- ⑥ Special No.
- ⑦ Material: 9T -PA9T 94V-0
- ⑧ Plating Category: SW-Matte Tin Plating; V01- Gold Flash
SN-Bright Tin Plating
- ⑨ Color :Blank-Natural Color; BK-Black

Poles	Dimensions (mm)			Poles	Dimensions (mm)		
	A	B	C		A	B	C
02	2.00	8.00	4.70	12	22.00	28.00	24.70
03	4.00	10.00	6.70	13	24.00	30.00	26.70
04	6.00	12.00	8.70	14	26.00	32.00	28.70
05	8.00	14.00	10.70	15	28.00	34.00	30.70
06	10.00	16.00	12.70	16	30.00	36.00	32.70
07	12.00	18.00	14.70	17	32.00	38.00	34.70
08	14.00	20.00	16.70	18	34.00	40.00	36.70
09	16.00	22.00	18.70	19	36.00	42.00	38.70
10	18.00	24.00	20.70	20	38.00	44.00	40.70
11	20.00	26.00	22.70				



2019.12.9	F	EN20200318002	Update Drawing Frame	YYting	Robing
DATE	REV	ECN NO.	DESCRIPTION	MODIFY	APPROVAL

GENERAL TOLERANCE		东莞市思索技术股份有限公司 Dongguan SESO Technology Co.,Ltd.	APPROVAL	CHECK	DRAWN	DATE
.X	±0.30					
.XX	±0.20					
.XXX	±0.10					
X.°	±2°					
PROJECT		Jack Zhang	Larry Yang	Guo	2014/04/28	

PART NO. 2016WRS-XX-9TXXXXX				
TITLE 2.00mm Crimp Style Connectors				
UNIT	SCALE	SHEET	REV	NUMBER
mm	1:1	1/1	F	A-000

RoHS

This products can apply to the SESO Doc NO. QA-3-04-005 of Environmental&Material Management Rules

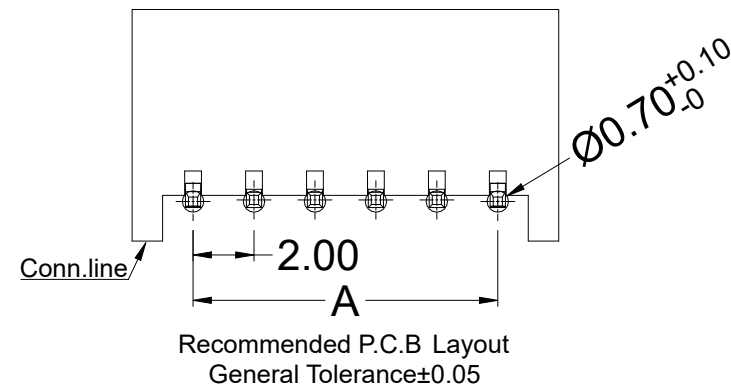
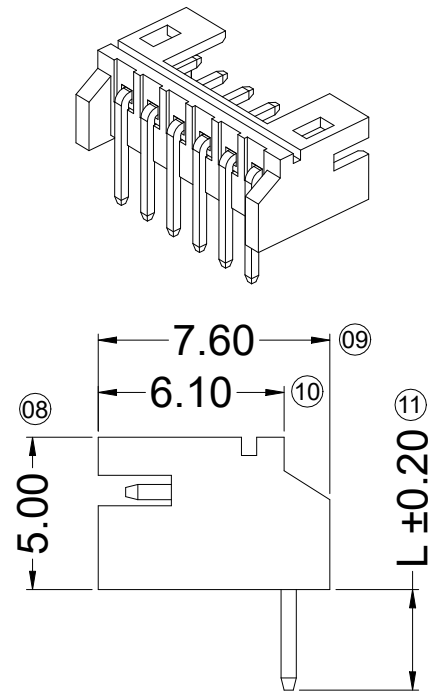
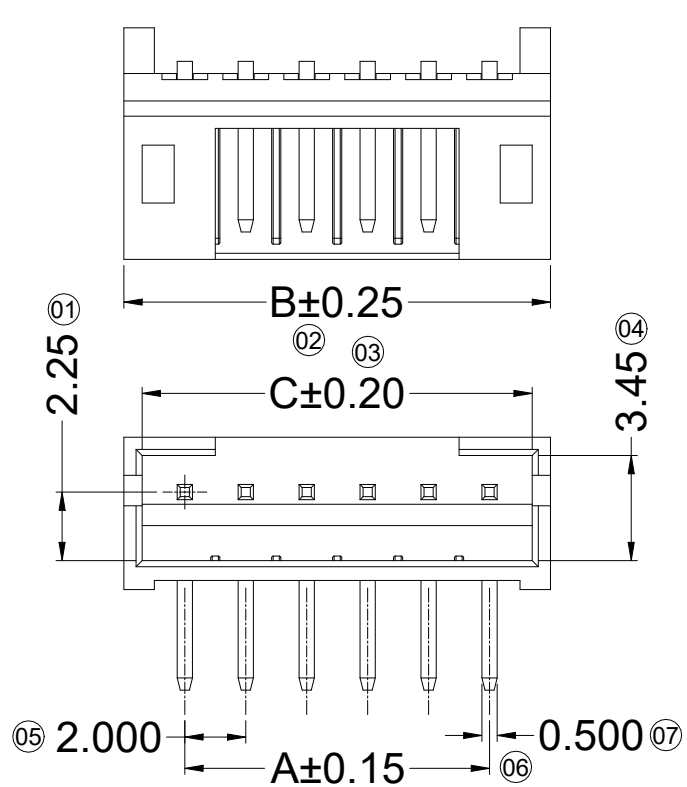
■ Specifications :

- Voltage rating: 100V AC / DC
- Current rating: 2A AC / DC
- Withstanding voltage: 800V AC/minute
- Temperature range: -25°C~+85°C
- Insulation resistance: ≥1000MΩ
- Contact resistance: ≤10mΩ
- After environmental testing: ≤20mΩ
- Material(Pin): Brass
- Mates With SESO Housing: 2016H

2016 W R X - XX XX - N0 SN XX

① ② ③ ④ ⑤ ⑥ ⑦ ⑧ ⑨

- ① Series No.
- ② Category: W-WAFER
- ③ Connector Type: R-Right Angle 90°
- ④ Mounting Type: Blank-DIP
- ⑤ Row No.-Pin No Per Row: XX-02P~20P
- ⑥ Special No.:
Blank-Without Kink, L=3.30mm
C- Without Kink, L=2.70mm
D- Without Kink, L=2.40mm
- ⑦ Plastic material: N0-PA66 94V-0 ; LP-LCP 94V-0
- ⑧ Plating Code: SN-Bright Tin Plating
- ⑨ Color : Blank-Natural Color; BK-Black



Poles	Dimensions (mm)			Poles	Dimensions (mm)			Poles	Dimensions (mm)		
	A	B	C		A	B	C		A	B	C
02	2.00	6.00	4.80	09	16.00	20.00	18.80	16	30.00	34.00	32.80
03	4.00	8.00	6.80	10	18.00	22.00	20.80	17	32.00	36.00	34.80
04	6.00	10.00	8.80	11	20.00	24.00	22.80	18	34.00	38.00	36.80
05	8.00	12.00	10.80	12	22.00	26.00	24.80	19	36.00	40.00	38.80
06	10.00	14.00	12.80	13	24.00	28.00	26.80	20	38.00	42.00	40.80
07	12.00	16.00	14.80	14	26.00	30.00	28.80				
08	14.00	18.00	16.80	15	28.00	32.00	30.80				

2020.3.26	F	ER20190510001	Update Drawing Frame, The Same, ECR And ECN NO.	YYting	Robing
DATE	REV	ECN NO.	DESCRIPTION	MODIFY	APPROVAL

GENERAL TOLERANCE
 .X ±0.30
 .XX ±0.20
 .XXX ±0.10
 X.° ±2°

SMS 东莞市思索技术股份有限公司
 Dongguan SESO Technology Co.,Ltd.

PROJECT: Jack Zhang, Larry Yang, Guo

PART NO. 2016WR-XX-N0SN

TITLE 2.00mm Crimp Style Connectors

UNIT	SCALE	SHEET	REV	NUMBER
mm	1:1	1/1	F	A-000

RoHS

This products can apply to the SESO Doc NO. QA-3-04-005 of Environmental&Material Management Rules

■ Specifications :

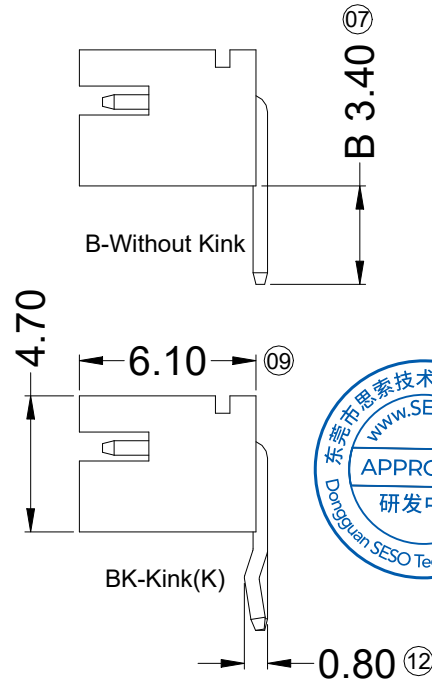
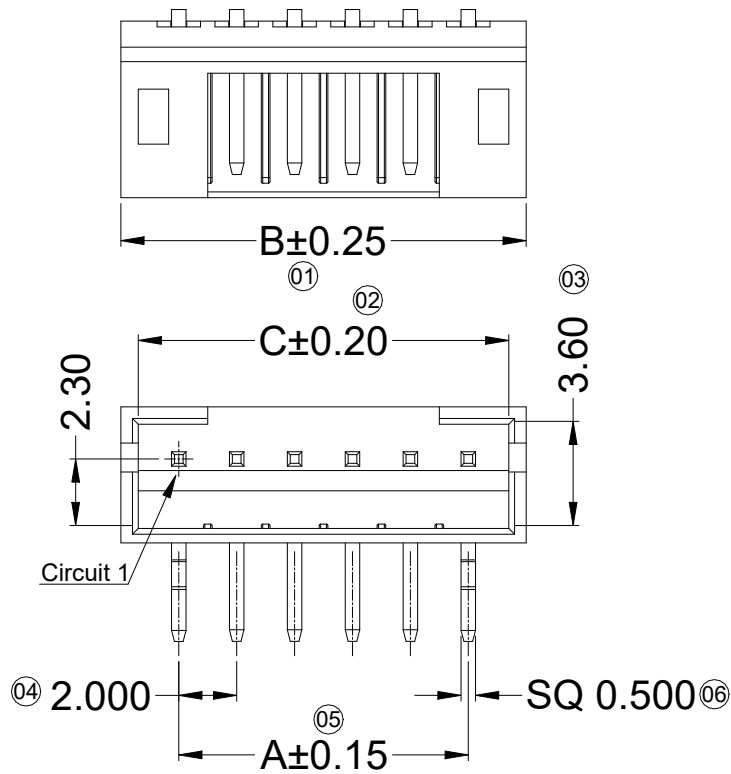
- Voltage rating: 100V AC / DC
- Current rating: 2A AC / DC
- Withstanding voltage: 800V AC/minute
- Temperature range: -25°C~+85°C
- Insulation resistance: ≥1000MΩ
- Contact resistance: ≤10mΩ
- After environmental testing: ≤20mΩ
- Material(Pin): Brass
- Mates With SESO Housing: 2016H

2016 W R X-XX BX -N0 SN XX
 ① ② ③ ④ ⑤ ⑥ ⑦ ⑧ ⑨

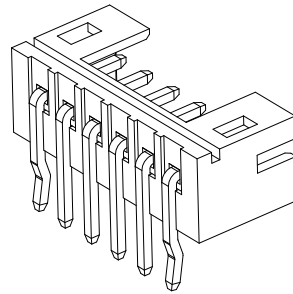
- ① Series No.
- ② Category: W-WAFER
- ③ Connector Type: R-Right Angle 90°
- ④ Mounting Type: Blank-DIP
- ⑤ Row No.-Pin No Per Row: XX-02P~20P
- ⑥ Special No.:

B-Without Kink, Without Link Stopper
 BK-With Kink, Without Link Stopper

- ⑦ Plastic material: N0-PA66 94V-0
- ⑧ Plating Code: SN-Bright Tin Plating
- ⑨ Color : Blank-Natural Color



Poles	Dimensions (mm)			Poles	Dimensions (mm)			Poles	Dimensions (mm)		
	A	B	C		A	B	C		A	B	C
02	2.00	6.00	4.80	09	16.00	20.00	18.80	16	30.00	34.00	32.80
03	4.00	8.00	6.80	10	18.00	22.00	20.80	17	32.00	36.00	34.80
04	6.00	10.00	8.80	11	20.00	24.00	22.80	18	34.00	38.00	36.80
05	8.00	12.00	10.80	12	22.00	26.00	24.80	19	36.00	40.00	38.80
06	10.00	14.00	12.80	13	24.00	28.00	26.80	20	38.00	42.00	40.80
07	12.00	16.00	14.80	14	26.00	30.00	28.80				
08	14.00	18.00	16.80	15	28.00	32.00	30.80				



2020.3.26	F	ER20190510001	Update Drawing Frame, Same ECR And ECN NO	YYting	Robing
DATE	REV	ECN NO.	DESCRIPTION	MODIFY	APPROVAL

GENERAL TOLERANCE
 .X ±0.30
 .XX ±0.20
 .XXX ±0.10
 X.° ±2°

SMS 东莞市思索技术股份有限公司
 Dongguan SESO Technology Co.,Ltd.

PROJECT: Jack Zhang, Larry Yang, Guo

PART NO. 2016WR-XXBX-N0SN

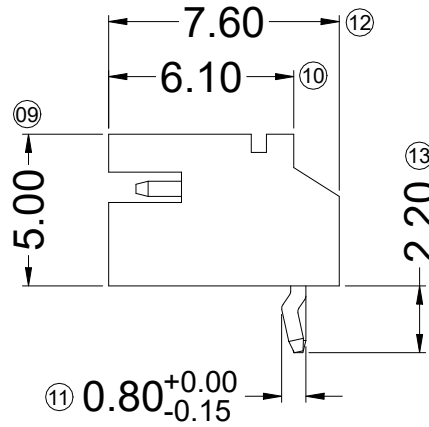
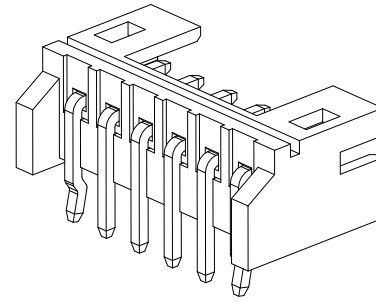
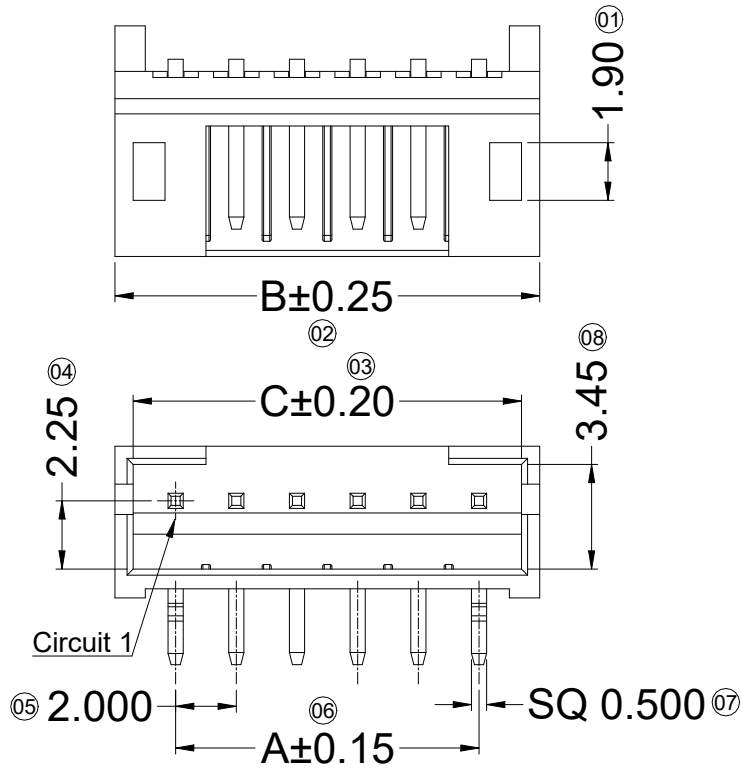
TITLE: 2.00mm Crimp Style Connectors

UNIT	SCALE	SHEET	REV	NUMBER
mm	1:1	1/1	F	A-000

APPROVAL	CHECK	DRAWN	DATE
Jack Zhang	Larry Yang	Guo	2014/04/28

RoHS

This products can apply to the SESO Doc NO. QA-3-04-005 of Environmental&Material Management Rules



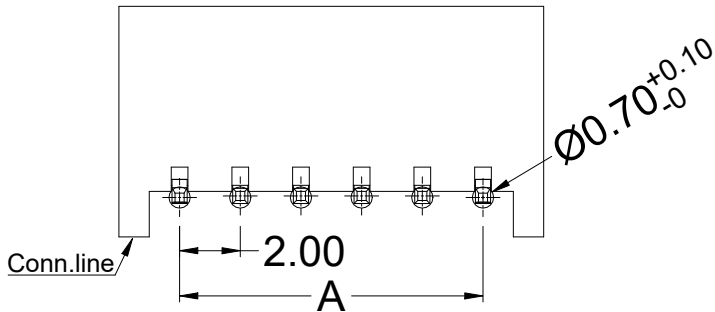
■ Specifications :

- Voltage rating: 100V AC / DC
- Current rating: 2A AC / DC
- Withstanding voltage: 800V AC/minute
- Temperature range: -25°C~+85°C
- Insulation resistance: ≥1000MΩ
- Contact resistance: ≤10mΩ
- After environmental testing: ≤20mΩ
- Material(Pin): Brass
- Mates With SESO Housing: 2016H

2016 W R X - XX KA - N0 SN XX

① ② ③ ④ ⑤ ⑥ ⑦ ⑧ ⑨

- ① Series No.
- ② Category: W-WAFER
- ③ Connector Type: R-Right Angle 90°
- ④ Mouting Type: Blank-DIP
- ⑤ Row No.-Pin No Per Row: XX-02P~20P
- ⑥ Special No.:
KA-Kink,A-DIP=2.20mm
- ⑦ Plastic material: N0-PA66 94V-0
- ⑧ Plating Code: SN-Bright Tin Plating
- ⑨ Color : Blank-Natural Color;



Recommended P.C.B Layout
General Tolerance±0.05



Poles	Dimensions (mm)			Poles	Dimensions (mm)			Poles	Dimensions (mm)		
	A	B	C		A	B	C		A	B	C
02	2.00	6.00	4.80	09	16.00	20.00	18.80	16	30.00	34.00	32.80
03	4.00	8.00	6.80	10	18.00	22.00	20.80	17	32.00	36.00	34.80
04	6.00	10.00	8.80	11	20.00	24.00	22.80	18	34.00	38.00	36.80
05	8.00	12.00	10.80	12	22.00	26.00	24.80	19	36.00	40.00	38.80
06	10.00	14.00	12.80	13	24.00	28.00	26.80	20	38.00	42.00	40.80
07	12.00	16.00	14.80	14	26.00	30.00	28.80				
08	14.00	18.00	16.80	15	28.00	32.00	30.80				

DATE	REV	ECN NO.	DESCRIPTION	MODIFY	APPROVAL
20200326	B	ER20190510001	Update Drawing Frame, The Same ECR And ECN NO.	YYting	Robing

GENERAL TOLERANCE
.X ±0.30
.XX ±0.20
.XXX±0.10
X.' ±2'

SMS 东莞市思索技术有限公司
Dongguan SESO Technology Co.,Ltd.

PROJECT: Jack Zhang, Larry Yang, Guo

PART NO. 2016WR-XXKA-NOSN

TITLE: 2.00mm Crimp Style Connectors

UNIT	SCALE	SHEET	REV	NUMBER
mm	1:1	1/1	B	A-000

RoHS

This products can apply to the SESO Doc NO. QA-3-04-005 of Environmental&Material Management Rules

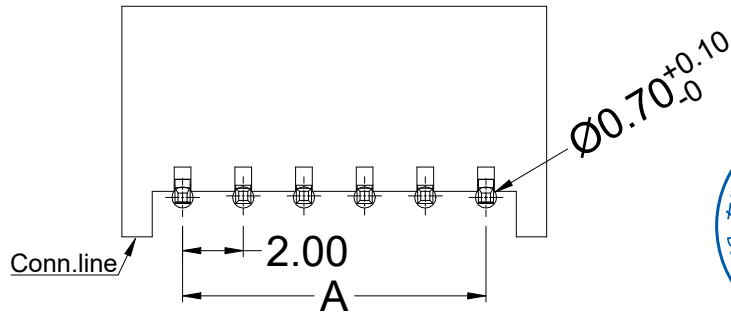
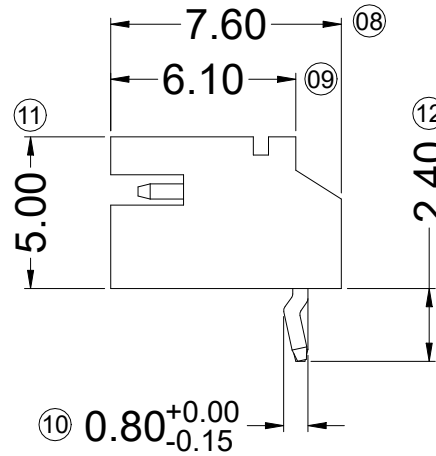
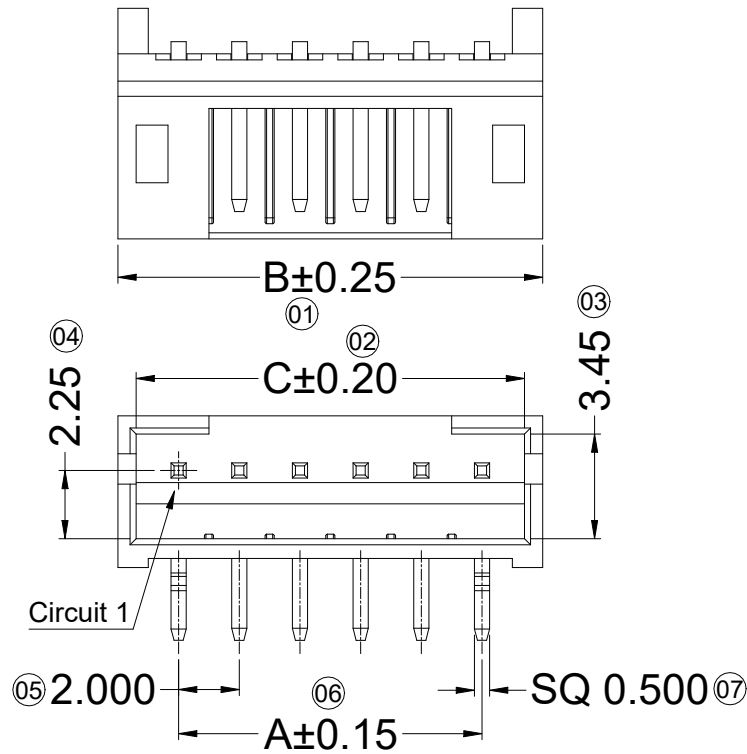
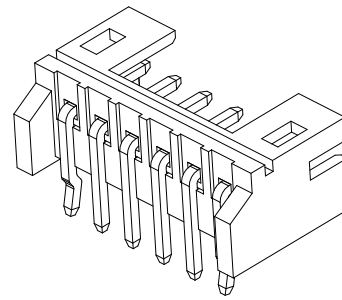
■ Specifications :

- Voltage rating: 100V AC / DC
- Current rating: 2A AC / DC
- Withstanding voltage: 800V AC/minute
- Temperature range: -25°C~+85°C
- Insulation resistance: ≥1000MΩ
- Contact resistance: ≤10mΩ
- After environmental testing: ≤20mΩ
- Material(Pin): Brass
- Mates With SESO Housing: 2016H

2016 W R X-XX X -N0 SN XX

① ② ③ ④ ⑤ ⑥ ⑦ ⑧ ⑨

- ① Series No.
- ② Category: W-WAFER
- ③ Connector Type: R-Right Angle 90°
- ④ Mouting Type: Blank-DIP
- ⑤ Row No.-Pin No.: XX-02P~20P
- ⑥ Special No.:
KB-Kink, DIP=2.4mm
KBHF-Kink, DIP=2.4mm Halogen Free
- ⑦ Plastic material: N0-PA66 94V-0
- ⑧ Plating Code: SN-Bright Tin Plating
- ⑨ Color : Blank-Natural Color;



Recommended P.C.B Layout
General Tolerance±0.05



Poles	Dimensions (mm)			Poles	Dimensions (mm)			Poles	Dimensions (mm)		
	A	B	C		A	B	C		A	B	C
02	2.00	6.00	4.80	09	16.00	20.00	18.80	16	30.00	34.00	32.80
03	4.00	8.00	6.80	10	18.00	22.00	20.80	17	32.00	36.00	34.80
04	6.00	10.00	8.80	11	20.00	24.00	22.80	18	34.00	38.00	36.80
05	8.00	12.00	10.80	12	22.00	26.00	24.80	19	36.00	40.00	38.80
06	10.00	14.00	12.80	13	24.00	28.00	26.80	20	38.00	42.00	40.80
07	12.00	16.00	14.80	14	26.00	30.00	28.80				
08	14.00	18.00	16.80	15	28.00	32.00	30.80				

					GENERAL TOLERANCE				东莞市思索技术股份有限公司 Dongguan SESO Technology Co.,Ltd.				PART NO. 2016WR-XXKBXX-N0SN				
					.X ±0.30								TITLE 2.00mm Crimp Style Connectors				
					.XX ±0.20				UNIT SCALE SHEET REV NUMBER mm 1:1 1/1 B A-000								
					.XXX±0.10									APPROVAL CHECK DRAWN DATE Jack Zhang Larry Yang Guo 20180309			
					X.' ±2'				PROJECT 								
20200326	B	ER20190510001	Update Drawing Frame, The Same ECR And ECN NO.	YYting	Robing												
DATE	REV	ECN NO.	DESCRIPTION	MODIFY	APPROVAL												

RoHS

This products can apply to the SESO Doc NO. QA-3-04-005 of Environmental&Material Management Rules

■ Specifications :

- Voltage rating: 100V AC / DC
- Current rating: 2A AC / DC
- Withstanding voltage: 800V AC/minute
- Temperature range: -25°C~+85°C
- Insulation resistance: ≥1000MΩ
- Contact resistance: ≤10mΩ
- After environmental testing: ≤20mΩ
- Material(Pin): Brass
- Mates With SESO Housing: 2016H

2016 W R X - XX X - N0 SN XX

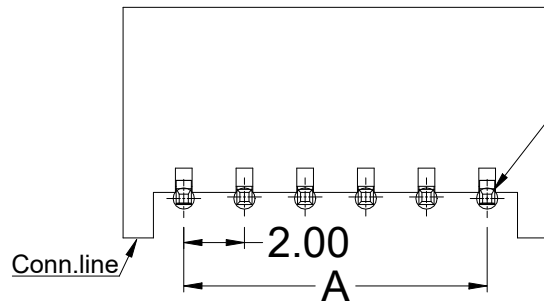
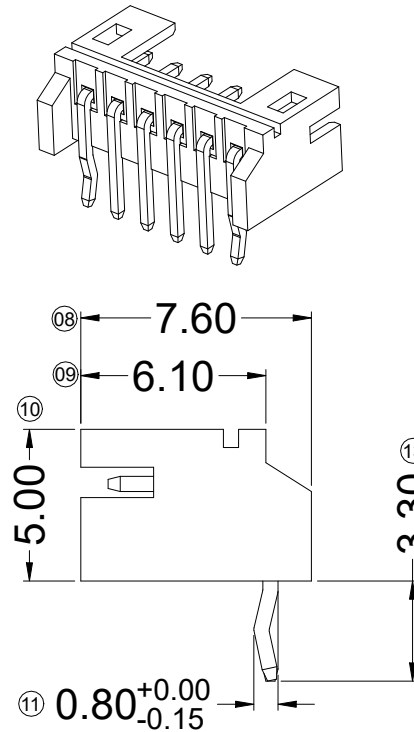
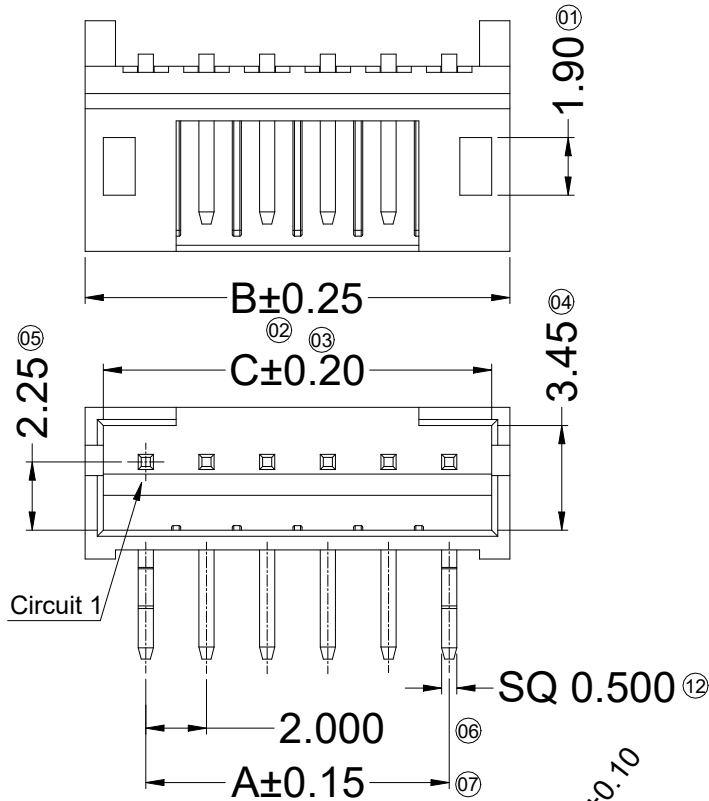
① ② ③ ④ ⑤ ⑥ ⑦ ⑧ ⑨

- ① Series No.
- ② Category: W-WAFER
- ③ Connector Type: R-Right Angle 90°
- ④ Mounting Type: Blank-DIP
- ⑤ Row No.-Pin No Per Row: XX-02P~20P
- ⑥ Special No.:

K-Kink, DIP=3.30mm

KHF-Kink, DIP=3.30mm Halogen Free

- ⑦ Plastic material: N0-PA66 94V-0; 4T-PA4 94V-0
- ⑧ Plating Code: SN-Bright Tin Plating; SW-Matte Tin V01-Gold Flash ; V15-Gold 15u"
- ⑨ Color : Blank-Natural Color; RE-Red Color; BL-Blue Color



Recommended P.C.B Layout
General Tolerance±0.05



Poles	Dimensions (mm)			Poles	Dimensions (mm)			Poles	Dimensions (mm)		
	A	B	C		A	B	C		A	B	C
02	2.00	6.00	4.80	09	16.00	20.00	18.80	16	30.00	34.00	32.80
03	4.00	8.00	6.80	10	18.00	22.00	20.80	17	32.00	36.00	34.80
04	6.00	10.00	8.80	11	20.00	24.00	22.80	18	34.00	38.00	36.80
05	8.00	12.00	10.80	12	22.00	26.00	24.80	19	36.00	40.00	38.80
06	10.00	14.00	12.80	13	24.00	28.00	26.80	20	38.00	42.00	40.80
07	12.00	16.00	14.80	14	26.00	30.00	28.80				
08	14.00	18.00	16.80	15	28.00	32.00	30.80				

20200326	B	ER20190510001	Update Drawing Frame, The Same ECR And ECN NO.	YYting	Robing
DATE	REV	ECN NO.	DESCRIPTION	MODIFY	APPROVAL

GENERAL TOLERANCE	
.X	±0.30
.XX	±0.20
.XXX	±0.10
X.' ±2'	
PROJECT	
①	②

SMS 东莞市思索技术股份有限公司
Dongguan SESO Technology Co.,Ltd.

APPROVAL	CHECK	DRAWN	DATE
Jack Zhang	Larry Yang	Guo	20180309

PART NO. 2016WR-XXKXX-NOXXX				
TITLE 2.00mm Crimp Style Connectors				
UNIT	SCALE	SHEET	REV	NUMBER
mm	1:1	1/1	B	A-000

RoHS

This products can apply to the SESO Doc NO. QA-3-04-005 of Environmental&Material Management Rules

Specifications :

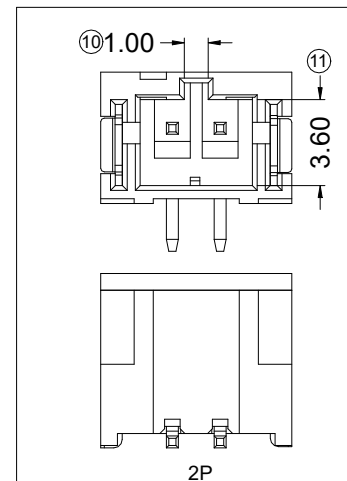
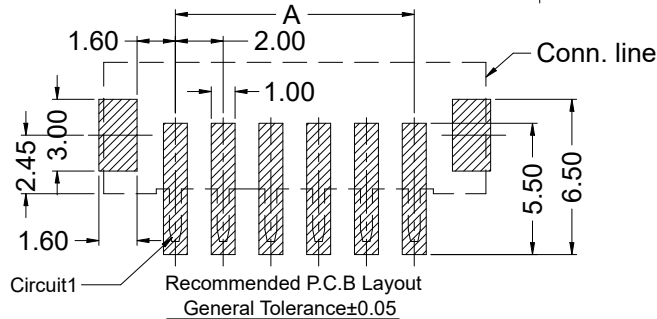
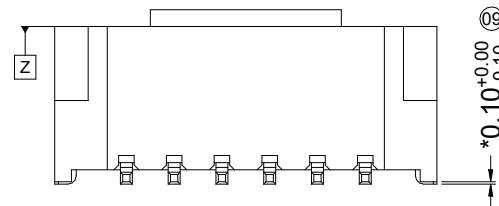
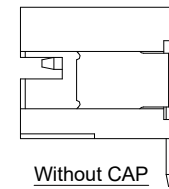
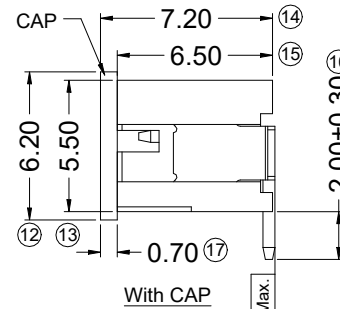
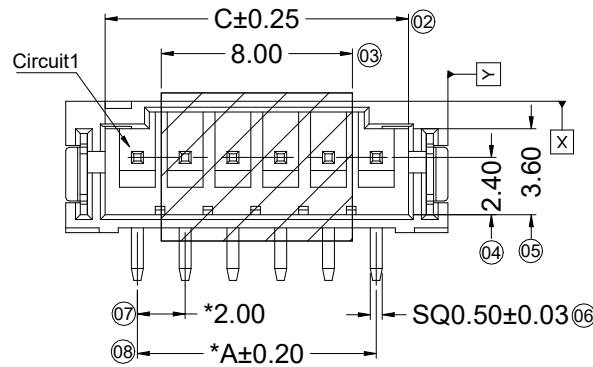
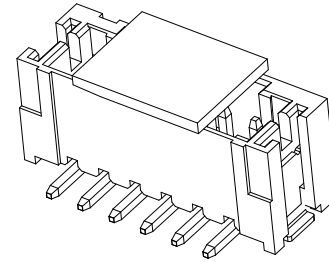
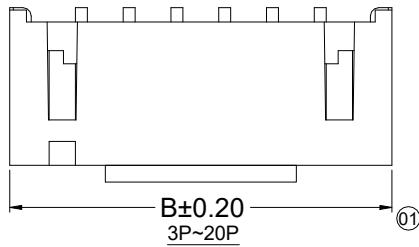
- Voltage rating: 100V AC / DC
- Current rating: 2A AC / DC
- Withstanding voltage: 800V AC/minute
- Temperature range: -40°C~+105°C
- Insulation resistance: ≥1000MΩ
- Contact resistance: ≤10mΩ
- After environmental testing: ≤20mΩ
- Material(Pin): Brass
- Material(Solder): Brass
- Mates With SESO Housing: 2016H

2016 W V S - XX - XX XXX XX X X

① ②③④ ⑤ ⑥ ⑦ ⑧ ⑨ ⑩

- ① Series No.
- ② Category: W-WAFER
- ③ Connector Type: V-180°
- ④ Mouting Type: S-SMT
- ⑤ Row No.-Pin No.: XX-02P~20P
- ⑥ Plastic material: LP-LCP 94V-0; 9T-PA9T 94V-0
- ⑦ Plating Code: SW1-Matte Tin 100u"Min.;Ni 50u Min.
SW-Matte Tin 80u"Min.;Ni 50u Min.
V01-Gold Flash;Ni 50u Min.
SN-Bright Tin 80u";Ni 50u Min.
- ⑧ RoHS/HF Code: HF-Halogen-Free Blank-Rohs
- ⑨ Color: Blank-Natural Color B-Black Color
- ⑩ Package : Blank-Reel/With CAP R-Reel/Without CAP

Poles	Dimensions (mm)			Poles	Dimensions (mm)		
	A	B	C		A	B	C
02	2.00	8.00	4.70	12	22.00	28.00	24.70
03	4.00	10.00	6.70	13	24.00	30.00	26.70
04	6.00	12.00	8.70	14	26.00	32.00	28.70
05	8.00	14.00	10.70	15	28.00	34.00	30.70
06	10.00	16.00	12.70	16	30.00	36.00	32.70
07	12.00	18.00	14.70	17	32.00	38.00	34.70
08	14.00	20.00	16.70	18	34.00	40.00	36.70
09	16.00	22.00	18.70	19	36.00	42.00	38.70
10	18.00	24.00	20.70	20	38.00	44.00	40.70
11	20.00	26.00	22.70				



DATE	REV	ECN NO.	DESCRIPTION	MODIFY	APPROVAL
20210527	C	/	Add Matte Tin 100u" P/N	Mali	Robing
20200117	B	EN20200318002	Update Drawing Fram	YYT	Robing

GENERAL TOLERANCE	
.X	±0.35
.XX	±0.25
.XXX	±0.15
X.*	±2*

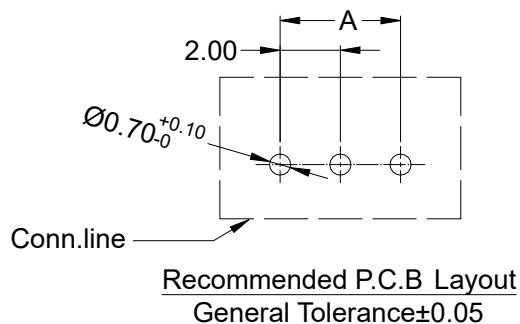
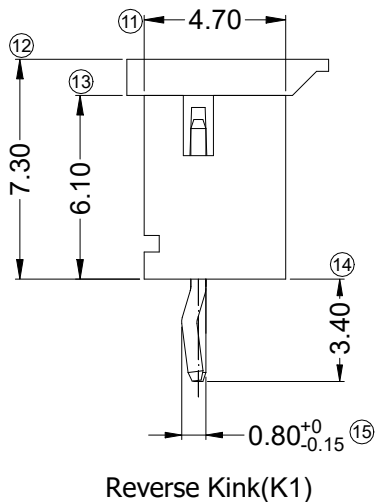
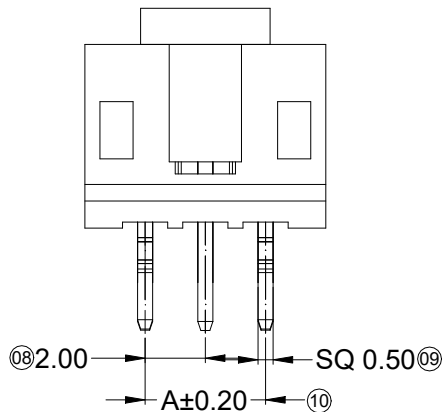
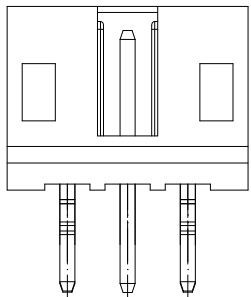
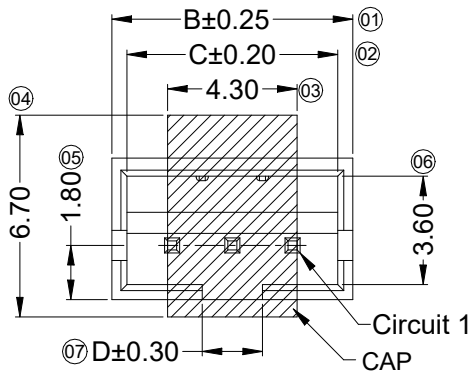
SMS 东莞市思索技术股份有限公司
Dongguan SESO Technology Co.,Ltd.

APPROVAL	CHECK	DRAWN	DATE
Jack Zhang	Larry Yang	Guo	2014/01/17

PART NO:				
2016WVS-XX-XXXXXXXX				
TITLE: 2.00 mm Crimp Style Connectors				
UNIT	SCALE	SHEET	REV	NUMBER
mm	1:1	1/1	C	A-253

RoHS

This products can apply to the SESO Doc NO. QA-3-04-005 of Environmental&Material Management Rules



Specifications :

- Voltage rating: 100V AC / DC
- Current rating: 2A AC / DC
- Withstanding voltage: 800V AC/minute
- Temperature range: -40°C~+105°C
- Insulation resistance: ≥1000MΩ
- Contact resistance: ≤10mΩ
- After environmental testing: ≤20mΩ
- Material(Pin): Brass
- Material(CAP): LCP 94V-0 Black Halogen Free
- Mates With SESO HSG: 2016H

2016 W V X- XX K1X - 4T XX X
 ① ② ③ ④ ⑤ ⑥ ⑦ ⑧ ⑨

- ① Series No.
- ② Category: W-WAFER
- ③ Connector type: V-180°
- ④ Mouting type: Blank-DIP
- ⑤ Row No.-Pin No.: XX-Single row
- ⑥ Special No.:
 K1- Reverse Kink / DIP=3.40; Without Cap;Carrier Pitch=12mm
 K11-Reverse Kink / DIP=3.40; Without Cap;Carrier Pitch=16mm
 K1C- Reverse Kink / DIP=3.40; With Cap; Carrier Pitch=12mm
 K1C1- Reverse Kink/DIP=3.40; With Cap; Carrier Pitch=16mm
- ⑦ Material: 4T-PA4T 94V-0
- ⑧ Plating Category:
 SW-Matte 100u" Min. Ni 50u" Min.
 V01-All Area Gold Flash; Ni 50u" Min.
 V10-All Area 10u" Min.; Ni 50u" Min.
 V15-All Area 15u" Min.; Ni 50u" Min.
 V30-All Area Au 30u" Min.; Ni 50u" Min.
- ⑨ Color : Blank-Natural Color ; B-Black Color

Poles	Dimensions (mm)				Poles	Dimensions (mm)			
	A	B	C	D		A	B	C	D
02	2.00	6.00	4.80	0.80	12	22.00	26.00	24.80	20.00
03	4.00	8.00	6.80	2.00	13	24.00	28.00	26.80	22.00
04	6.00	10.00	8.80	4.00	14	26.00	30.00	28.80	24.00
05	8.00	12.00	10.80	6.00	15	28.00	32.00	30.80	26.00
06	10.00	14.00	12.80	8.00	16	30.00	34.00	32.80	28.00
07	12.00	16.00	14.80	10.00	17	32.00	36.00	34.80	30.00
08	14.00	18.00	16.80	12.00	18	34.00	38.00	36.80	32.00
09	16.00	20.00	18.80	14.00	19	36.00	40.00	38.80	34.00
10	18.00	22.00	20.80	16.00	20	38.00	42.00	40.80	36.00
11	20.00	24.00	22.80	18.00					

DATE	REV	ECN NO.	DESCRIPTION	MODIFY	APPROVAL
21.01.12	F		Add Black Color P/N	Mali	Joshua
20.10.08	E		Add Carrier Pitch=16mm P/N	Mali	Joshua

SMS 东莞市思索技术股份有限公司
 Dongguan SESO Technology Co.,Ltd.

GENERAL TOLERANCE
 .X ±0.30
 .XX ±0.20
 .XXX±0.10
 X.° ±2°

PROJECT

APPROVAL: Jack Zhang
 CHECK: Larry Yang
 DRAWN: Guo
 DATE: 2017/08/24

PART NO.
2016WV-XXK1X-4TXXX

TITLE
2.00mm Crimp Style Connectors

UNIT	SCALE	SHEET	REV	NUMBER
mm	1:1	1/1	F	A-000

RoHS

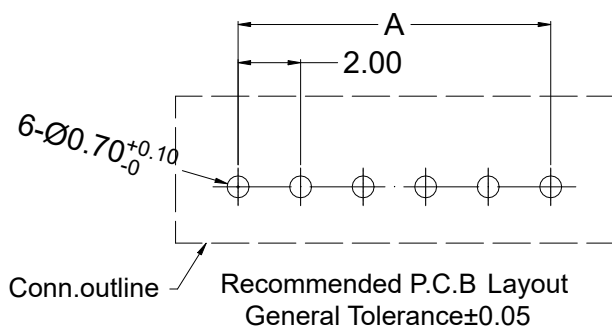
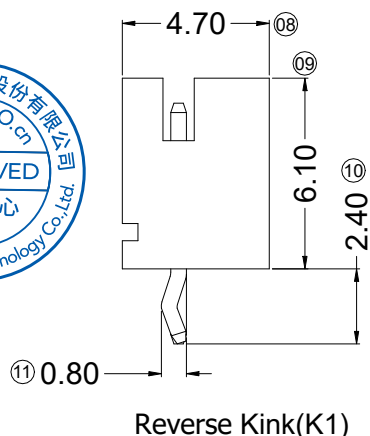
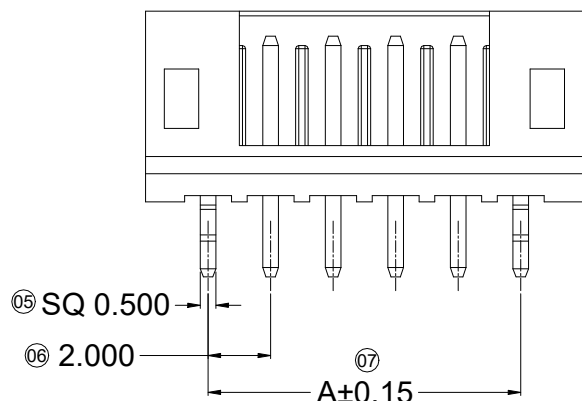
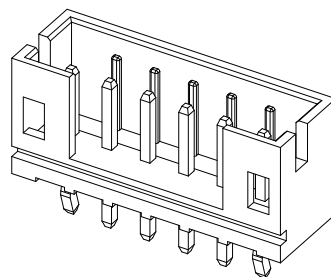
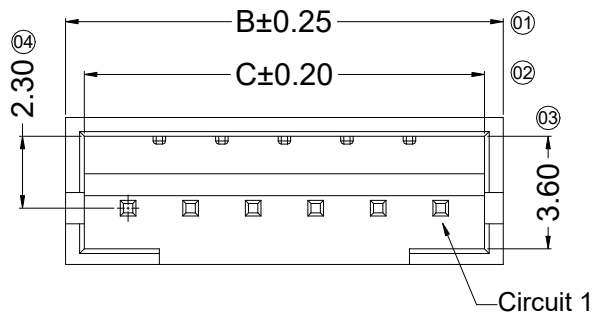
This products can apply to the SESO Doc NO. QA-3-04-005 of Environmental&Material Management Rules

■ Specifications :

- Voltage rating: 100V AC / DC
- Current rating: 2A AC / DC
- Withstanding voltage: 800V AC/minute
- Temperature range: -25°C~+85°C
- Insulation resistance: ≥1000MΩ
- Contact resistance: ≤10mΩ
- After environmental testing: ≤20mΩ
- Material(Pin): Brass
- Mates With SESO Housing: 2016H

2016 W V X - XX K1E - LP SN XX - X
 ① ② ③ ④ ⑤ ⑥ ⑦ ⑧ ⑨ ⑩

- ① Series No.
- ② Category: W-WAFER
- ③ Welding Board Angle: V-Straight 180°
- ④ Welding Way: Blank-DIP
- ⑤ Row No.-Pin No.: XX-02P~20P
- ⑥ Plug the Pin & Special No.:
K1-Reverse Kink,E-DIP 2.40mm,
- ⑦ Material: LP-LCP 94V-0 (Halogen Free)
- ⑧ Plating Category: SN-Bright Tin Plating
- ⑨ Color : Blank-Beige.
- ⑩ Blank- Bag Package; G-Tube Package



Poles	Dimensions (mm)			Poles	Dimensions (mm)			Poles	Dimensions (mm)		
	A	B	C		A	B	C		A	B	C
02	2.00	6.00	4.80	09	16.00	20.00	18.80	16	30.00	34.00	32.80
03	4.00	8.00	6.80	10	18.00	22.00	20.80	17	32.00	36.00	34.80
04	6.00	10.00	8.80	11	20.00	24.00	22.80	18	34.00	38.00	36.80
05	8.00	12.00	10.80	12	22.00	26.00	24.80	19	36.00	40.00	38.80
06	10.00	14.00	12.80	13	24.00	28.00	26.80	20	38.00	42.00	40.80
07	12.00	16.00	14.80	14	26.00	30.00	28.80				
08	14.00	18.00	16.80	15	28.00	32.00	30.80				

2020.3.19	B	EN20200318002	Update Drawing Frame	YYting	Robing
DATE	REV	ECN NO.	DESCRIPTION	MODIFY	APPROVAL

GENERAL TOLERANCE
 .X ±0.35
 .XX ±0.25
 .XXX ±0.15
 X.° ±2°

SMS 东莞市思索技术股份有限公司
 Dongguan SESO Technology Co.,Ltd.

PROJECT

APPROVAL	CHECK	DRAWN	DATE
Jack Yang	Larry Yang	Guo	2016/08/22

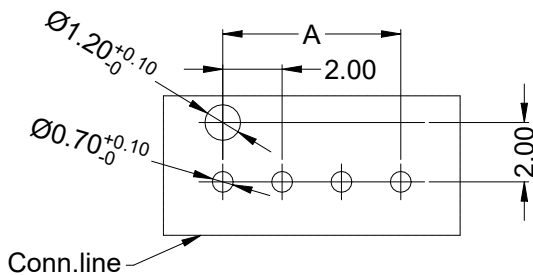
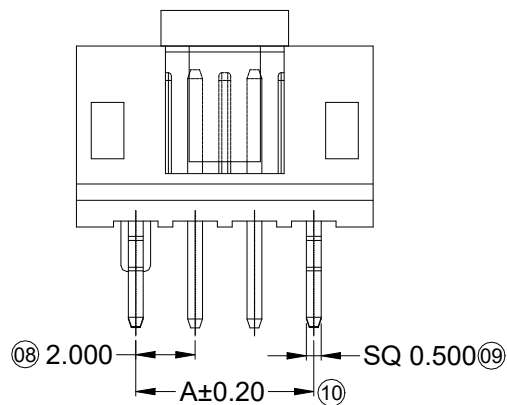
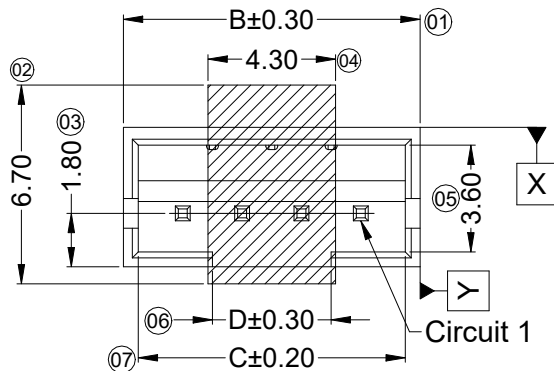
PART NO.
2016WV-XXK1E-LPSN-X

TITLE
2.00 Crimp Style Connectors

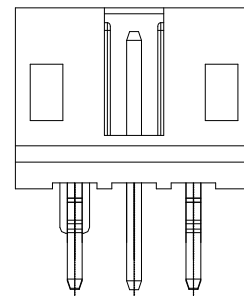
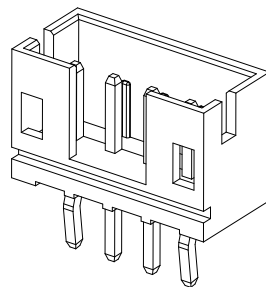
UNIT	SCALE	SHEET	REV	NUMBER
mm	1:1	1/1	B	A-000

RoHS

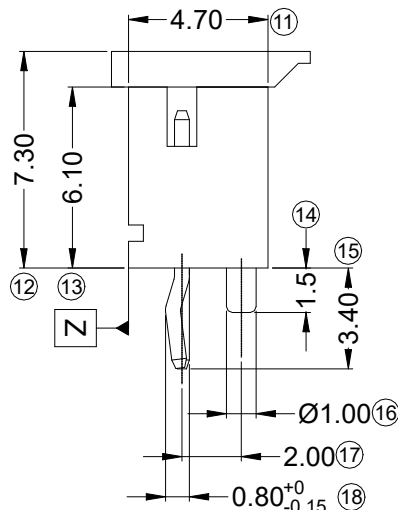
This products can apply to the SESO Doc NO. QA-3-04-005 of Environmental&Material Management Rules



Recommended P.C.B Layout
General Tolerance±0.05



Without CAP



Reverse Kink(K1)



Specifications :

- Voltage rating: 100V AC / DC
- Current rating: 2A AC / DC
- Withstanding voltage: 800V AC/minute
- Temperature range: -40°C~+105°C
- Insulation resistance: ≥1000MΩ
- Contact resistance: ≤10mΩ
- After environmental testing: ≤20mΩ
- Material(Pin): Brass
- Mates With SESO 2016H

2016 W V X - XX K1S - 4T XXX X X

① ② ③ ④ ⑤ ⑥ ⑦ ⑧ ⑨ ⑩

- ① Series No.
- ② Category:W-WAFER
- ③ Connector Type: V-180°
- ④ Mouting Type: Blank-DIP
- ⑤ Row No.-Pin No.: XX-Single row
- ⑥ Special No.: K1- Reverse Kink ; S- With Post
- ⑦ Material: 4T-PA4T 94V-0
- ⑧ Plating Category:
SW-Matte Tin 100u"Min. ; Ni 50u" Min.
V30-All Area gold 30u"Min. ; Ni 50u" Min.
- ⑨ Color : Blank-Natural Color(Beige) ; B-Black Color
- ⑩ Package: Blank-Bag C-Reel/With CAP

Poles	Dimensions (mm)				Poles	Dimensions (mm)			
	A	B	C	D		A	B	C	D
02	2.00	6.00	4.80	0.80	12	22.00	26.00	24.80	20.00
03	4.00	8.00	6.80	2.00	13	24.00	28.00	26.80	22.00
04	6.00	10.00	8.80	4.00	14	26.00	30.00	28.80	24.00
05	8.00	12.00	10.80	6.00	15	28.00	32.00	30.80	26.00
06	10.00	14.00	12.80	8.00	16	30.00	34.00	32.80	28.00
07	12.00	16.00	14.80	10.00	17	32.00	36.00	34.80	30.00
08	14.00	18.00	16.80	12.00	18	34.00	38.00	36.80	32.00
09	16.00	20.00	18.80	14.00	19	36.00	40.00	38.80	34.00
10	18.00	22.00	20.80	16.00	20	38.00	42.00	40.80	36.00
11	20.00	24.00	22.80	18.00					

DATE	REV	ECN NO.	DESCRIPTION	MODIFY	APPROVAL	PROJECT
23.09.12	B1	/	Add 3D View and Solder Plated; Add Black Color P/N	Sunny Huang	Smark	GENERAL TOLERANCE .X ±0.30 .XX ±0.20 .XXX±0.10 X.° ±2°
17.07.13	B	/	Add D dim and label	Savvy	Joshua	PROJECT

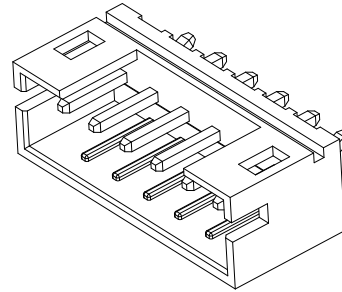
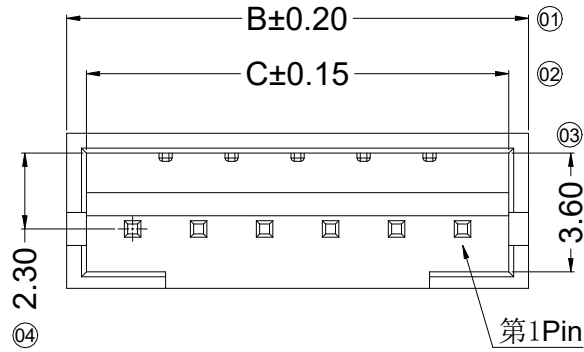
SMS 东莞市思索技术股份有限公司
Dongguan SESO Technology Co.,Ltd.

APPROVAL	CHECK	DRAWN	DATE
Jack Zhang	Larry Yang	Guo	2017/01/09

PART NO.				
2016WV-XXK1S-4TXXXXX				
TITLE				
2.00mm Crimp Style Connectors				
UNIT	SCALE	SHEET	REV	NUMBER
mm	1:1	1/1	B1	A-000

RoHS

This products can apply to the SESO Doc NO. QA-3-04-005 of Environmental&Material Management Rules

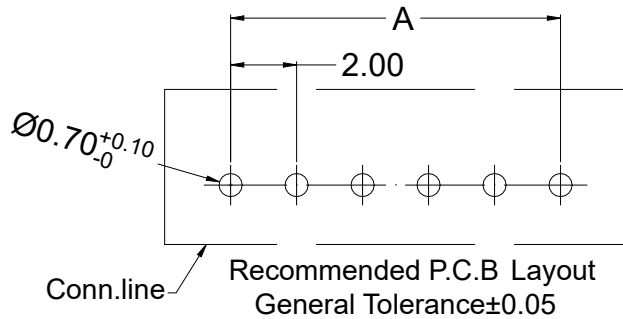
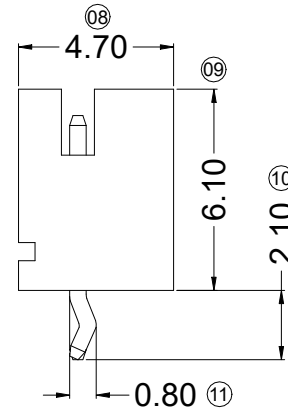
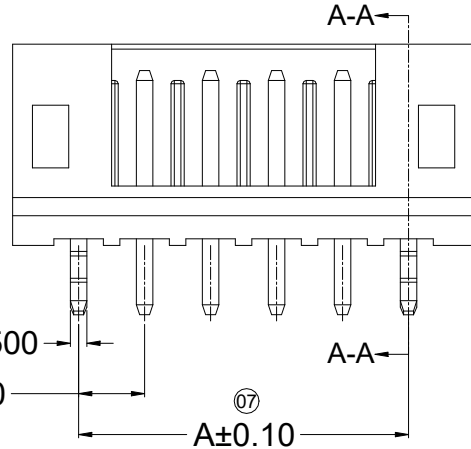


■ Specifications :

- Voltage rating: 100V AC / DC
- Current rating: 2A AC / DC
- Withstanding voltage: 800V AC/minute
- Temperature range: -25°C~+85°C
- Insulation resistance: ≥1000MΩ
- Contact resistance: ≤10mΩ
- After environmental testing: ≤20mΩ
- Material(Pin): Brass
- Mates With SESO Housing: 2016H

2016 W V X - XX KD - N0 SN XX
 ① ② ③ ④ ⑤ ⑥ ⑦ ⑧ ⑨

- ① Series No.
- ② Category: W-WAFER
- ③ Welding Board Angle: V-Straight 180°
- ④ Welding Way: Blank-DIP
- ⑤ Row No.-Pin No.: XX-02P~20P
- ⑥ Plug the Pin & Special No.:
K-Kink,D-DIP 2.10mm,
- ⑦ Material: N0 -PA66 94V-0
- ⑧ Plating Category: SN-Bright Tin Plating
- ⑨ Color : Blank-Beige.



Poles	Dimensions (mm)			Poles	Dimensions (mm)			Poles	Dimensions (mm)		
	A	B	C		A	B	C		A	B	C
02	2.00	6.00	4.80	09	16.00	20.00	18.80	16	30.00	34.00	32.80
03	4.00	8.00	6.80	10	18.00	22.00	20.80	17	32.00	36.00	34.80
04	6.00	10.00	8.80	11	20.00	24.00	22.80	18	34.00	38.00	36.80
05	8.00	12.00	10.80	12	22.00	26.00	24.80	19	36.00	40.00	38.80
06	10.00	14.00	12.80	13	24.00	28.00	26.80	20	38.00	42.00	40.80
07	12.00	16.00	14.80	14	26.00	30.00	28.80				
08	14.00	18.00	16.80	15	28.00	32.00	30.80				

2020.3.19	C	EN20200318002	Update Drawing Frame	YYting	Robing
DATE	REV	ECN NO.	DESCRIPTION	MODIFY	APPROVAL

GENERAL TOLERANCE	
.X	±0.35
.XX	±0.25
.XXX	±0.15
X.°	±2°
PROJECT	

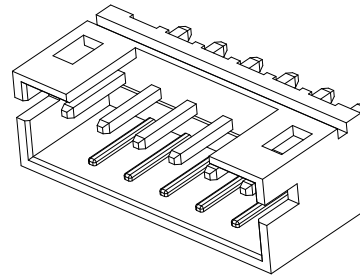
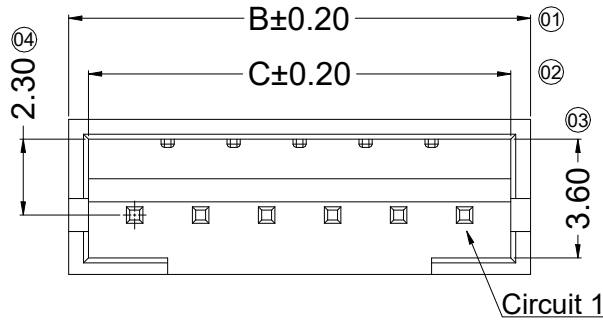
SMS 东莞市思索技术股份有限公司
 Dongguan SESO Technology Co.,Ltd.

APPROVAL	CHECK	DRAWN	DATE
Jcak Zhang	Larry Yang	Guo	2015/11/16

PART NO. 2016WV-XXKD-N0SN				
TITLE 2.00mm Crimp Style Connectors				
UNIT	SCALE	SHEET	REV	NUMBER
mm	1:1	1/1	C	A-000

RoHS

This products can apply to the SESO Doc NO. QA-3-04-005 of Environmental&Material Management Rules

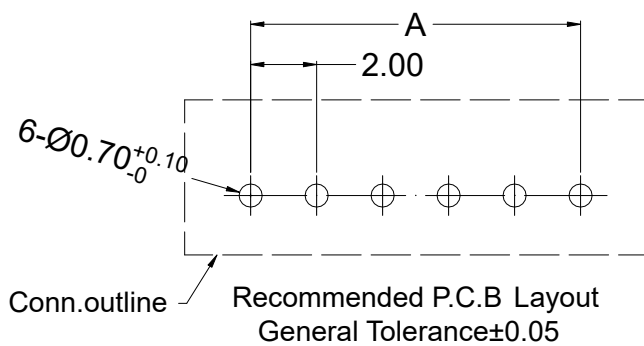
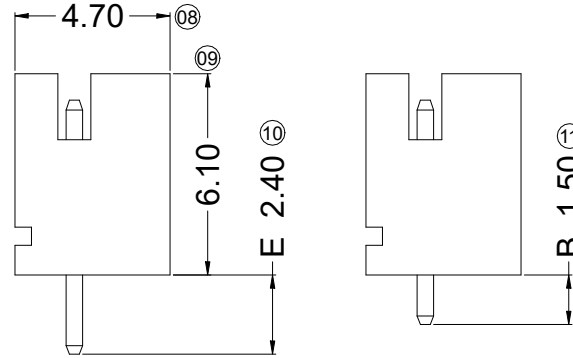
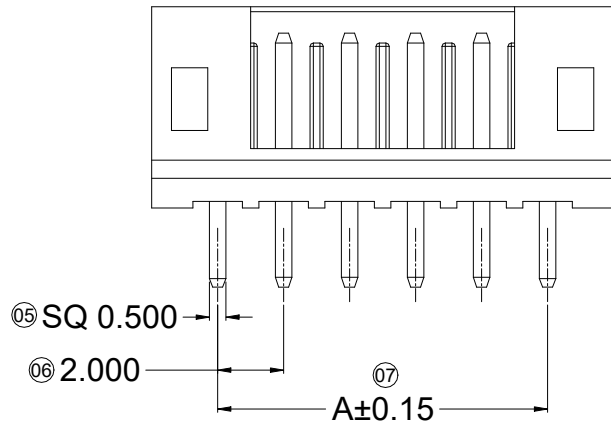


■ Specifications :

- Voltage rating: 100V AC / DC
- Current rating: 2A AC / DC
- Withstanding voltage: 800V AC/minute
- Temperature range: -25°C~+85°C
- Insulation resistance: ≥1000MΩ
- Contact resistance: ≤10mΩ
- After environmental testing: ≤20mΩ
- Material(Pin): Brass
- Mates With SESO Housing: 2016H

2016 W V X - XX X - XX SN XX
 ① ② ③ ④ ⑤ ⑥ ⑦ ⑧ ⑨

- ① Series No.
- ② Category: W-WAFER
- ③ Welding Board Angle: V-Straight 180°
- ④ Welding Way: Blank-DIP
- ⑤ Row No.-Pin No.: XX-02P~20P
- ⑥ Special No.: B-DIP=1.50mm E-DIP=2.40mm
- ⑦ Material: LP-LCP 94V-0 ;4T-PA4T 94V-0
- ⑧ Plating Category: SN-Bright Tin Plating ;
- ⑨ Color : Blank-Natural Color ;

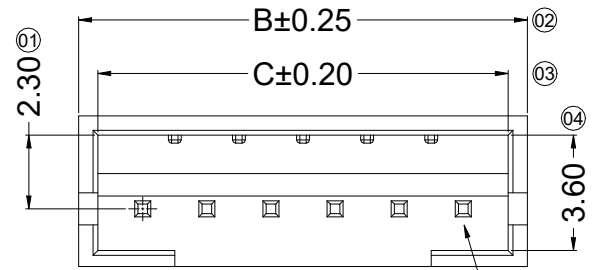


Poles	Dimensions mm			Poles	Dimensions mm			Poles	Dimensions mm		
	A	B	C		A	B	C		A	B	C
02	2.00	6.00	4.80	09	16.00	20.00	18.80	16	30.00	34.00	32.80
03	4.00	8.00	6.80	10	18.00	22.00	20.80	17	32.00	36.00	34.80
04	6.00	10.00	8.80	11	20.00	24.00	22.80	18	34.00	38.00	36.80
05	8.00	12.00	10.80	12	22.00	26.00	24.80	19	36.00	40.00	38.80
06	10.00	14.00	12.80	13	24.00	28.00	26.80	20	38.00	42.00	40.80
07	12.00	16.00	14.80	14	26.00	30.00	28.80				
08	14.00	18.00	16.80	15	28.00	32.00	30.80				

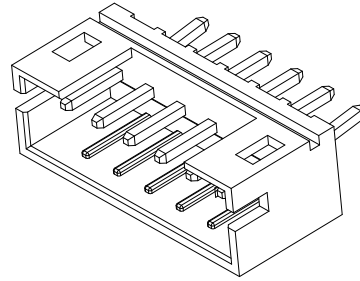
					GENERAL TOLERANCE .X ±0.35 .XX ±0.25 .XXX ±0.15 X.° ±2°				SMS 东莞市思索技术股份有限公司 Dongguan SESO Technology Co.,Ltd.				PART NO. 2016WV-XXX-XXSN				
					APPROVAL PROJECT 				CHECK DRAWN DATE				TITLE 2.00mm Crimp Style Connectors				
2020.3.19	B	EN20200318002	Update Drawing Frame	YYting	Robing	Jcak Zhang	Larry Yang	Guo	2015/11/16	UNIT	SCALE	SHEET	REV	NUMBER			
DATE	REV	ECN NO.	DESCRIPTION	MODIFY	APPROVAL					mm	1:1	1/1	B	A-000			

RoHS

This products can apply to the SESO Doc NO. QA-3-04-005 of Environmental&Material Management Rules



Circuit 1



■ Specifications :

- Voltage rating: 100V AC / DC
- Current rating: 2A AC / DC
- Withstanding voltage: 800V AC/minute
- Temperature range: -25°C~+85°C
- Insulation resistance: ≥1000MΩ
- Contact resistance: ≤10mΩ
- After environmental testing: ≤20mΩ
- Material(Pin): Brass
- Mates With SESO Housing: 2016H

2016 W V X - XX KX - XX XX XX

① ② ③ ④ ⑤ ⑥ ⑦ ⑧ ⑨

Series No.

Category: W-WAFER

Connector Type: V-Straight 180°

Mouting Type: Blank-DIP

Row No.-Pin No Per Row: XX-02P~20P

Special No.: K-Kink ; K1- Reverse Kink ; Blank-Without Kink

Plastic materiall: 46 -PA46 94V-0 ; N0-PA66 94V-0 ;

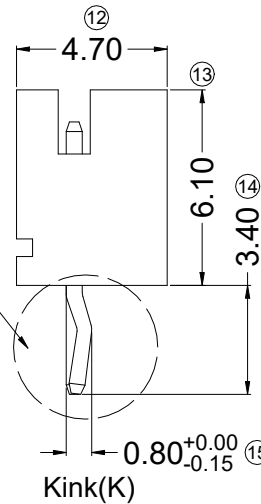
LP-LCP 94V-0 ; 6T-PA6T 94V-0

Plating Code: SN-Bright Tin Plating ; V01-Gold Flash

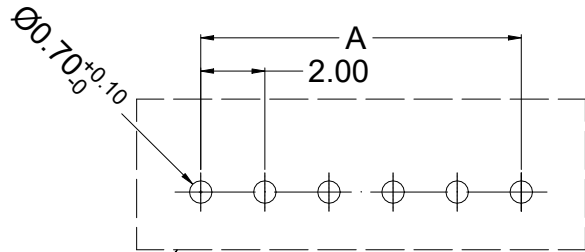
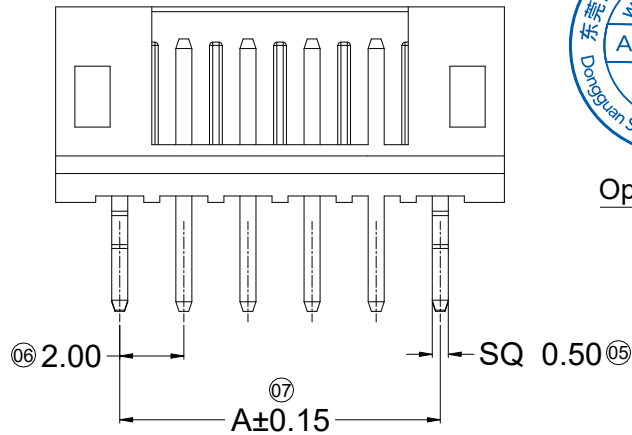
Color : Blank-Natural Color ; GY-Gray



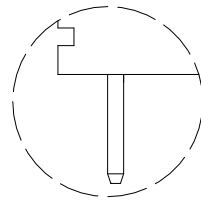
Optional Kink



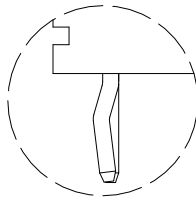
Kink(K)



Conn.line Recommended P.C.B Layout General Tolerance±0.05



Without Kink (Blank)



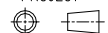
Reverse Kink(K1)

Poles	Dimensions mm			Poles	Dimensions mm			Poles	Dimensions mm		
	A	B	C		A	B	C		A	B	C
02	2.00	6.00	4.80	09	16.00	20.00	18.80	16	30.00	34.00	32.80
03	4.00	8.00	6.80	10	18.00	22.00	20.80	17	32.00	36.00	34.80
04	6.00	10.00	8.80	11	20.00	24.00	22.80	18	34.00	38.00	36.80
05	8.00	12.00	10.80	12	22.00	26.00	24.80	19	36.00	40.00	38.80
06	10.00	14.00	12.80	13	24.00	28.00	26.80	20	38.00	42.00	40.80
07	12.00	16.00	14.80	14	26.00	30.00	28.80				
08	14.00	18.00	16.80	15	28.00	32.00	30.80				

GENERAL TOLERANCE

- .X ±0.30
- .XX ±0.20
- .XXX±0.10
- X.' ±2'

PROJECT



SMS 东莞市思索技术股份有限公司
Dongguan SESO Technology Co.,Ltd.

APPROVAL	CHECK	DRAWN	DATE
Jack Zhang	Larry Yang	Guo	20121122

PART NO.

2016WV-XXXX-XXXXX

TITLE

2.00mm Crimp Style Connectors

UNIT	SCALE	SHEET	REV	NUMBER
mm	1:1	1/1	G	A-000

20200319	G	EN20200318002	Update Drawing Frame	YYting	Robing
DATE	REV	ECN NO.	DESCRIPTION	MODIFY	APPROVAL