

RoHS

This products can apply to the SESO Doc NO. QA-3-04-005 of Environmental&Material Management Rules

■ Specifications :

- Voltage rating: 125V AC / DC
- Current rating: 2A AC / DC
- Withstanding voltage: 1000V AC/minute
- Temperature range: -25°C~+85°C
- Insulation resistance: ≥1000MΩ
- Contact resistance: ≤20mΩ
- After environmental testing: ≤40mΩ
- Suitable SWB Terminal: 2012T
- Mates With SESO Wafer: 2012W

2012 H X - XX X - N0 XX

① ② ③ ④ ⑤ ⑥ ⑦

① Series No.

② Category: H-HSG

③ Appearance type: Blank-Ordinary

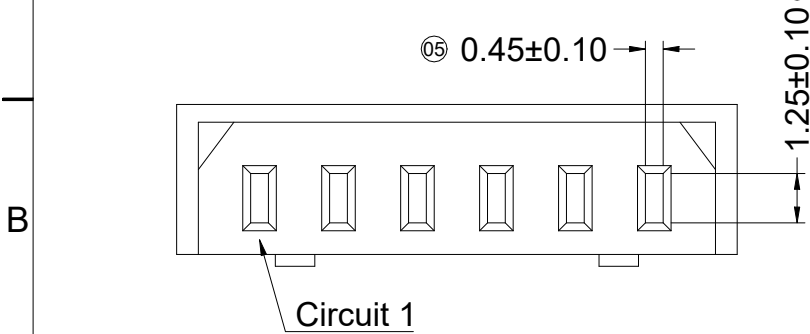
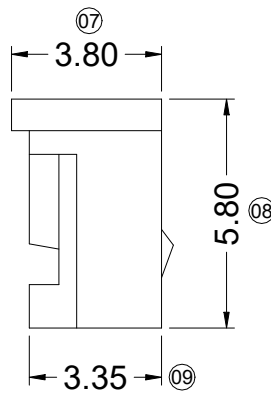
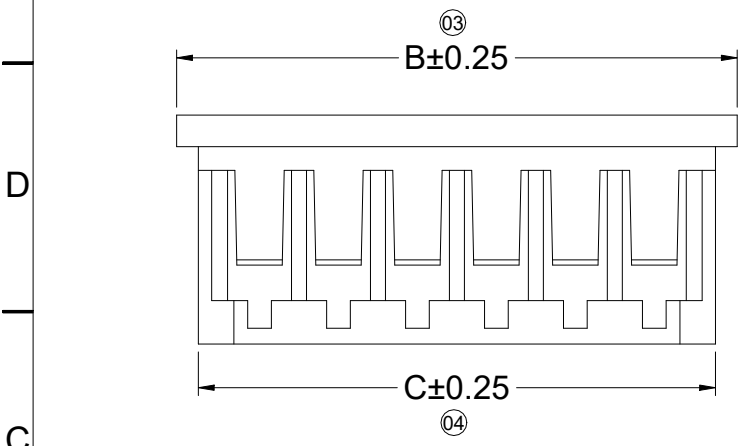
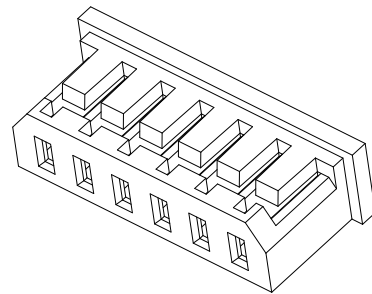
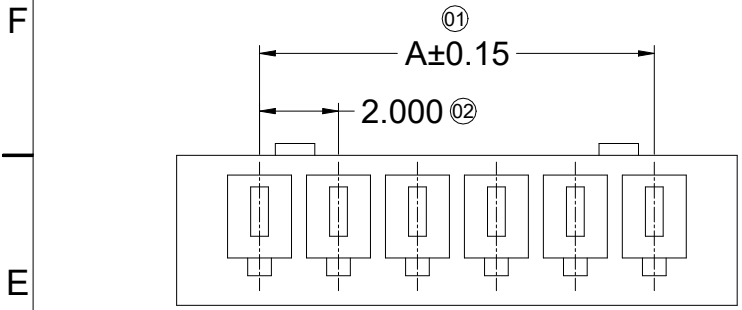
④ Row No.-Pin No Per Row: XX-02P~15P

⑤ Plug the Pin & special No.: Blank-Ordinary

⑥ Plastic material.: N0-PA66 UL 94V-0

⑦ Color: Blank-Natural Color

HF-Halogen Free



Poles	Dimensions (mm)			Poles	Dimensions (mm)		
	A	B	C		A	B	C
02	2.00	6.20	5.10	09	16.00	20.20	19.10
03	4.00	8.20	7.10	10	18.00	22.20	21.10
04	6.00	10.20	9.10	11	20.00	24.20	23.10
05	8.00	12.20	11.10	12	22.00	26.20	25.10
06	10.00	14.20	13.10	13	24.00	28.20	27.10
07	12.00	16.20	15.10	14	26.00	30.20	29.10
08	14.00	18.20	17.10	15	28.00	32.20	31.10

DATE	REV	ECN NO.	DESCRIPTION	MODIFY	APPROVAL
2020.4.15	F	EN20200409001	Update Drawing Frame	YY'ting	Robing

GENERAL TOLERANCE	
.X	±0.30
.XX	±0.20
.XXX	±0.10
X.°	±2°

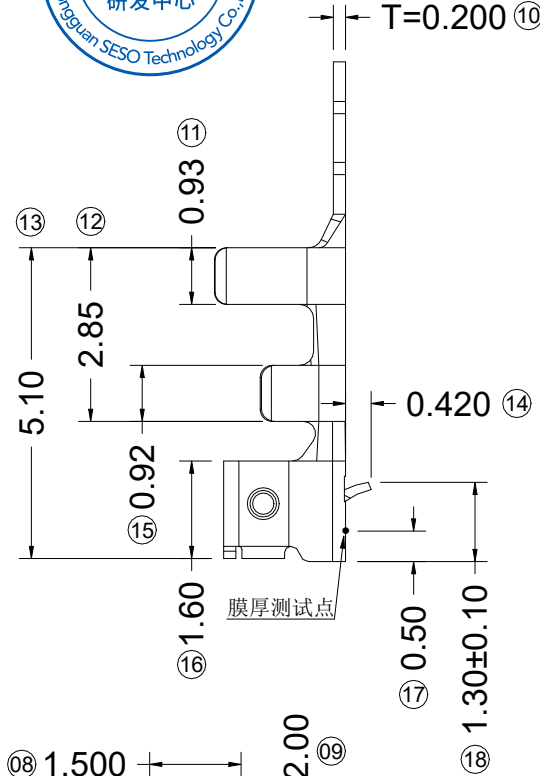
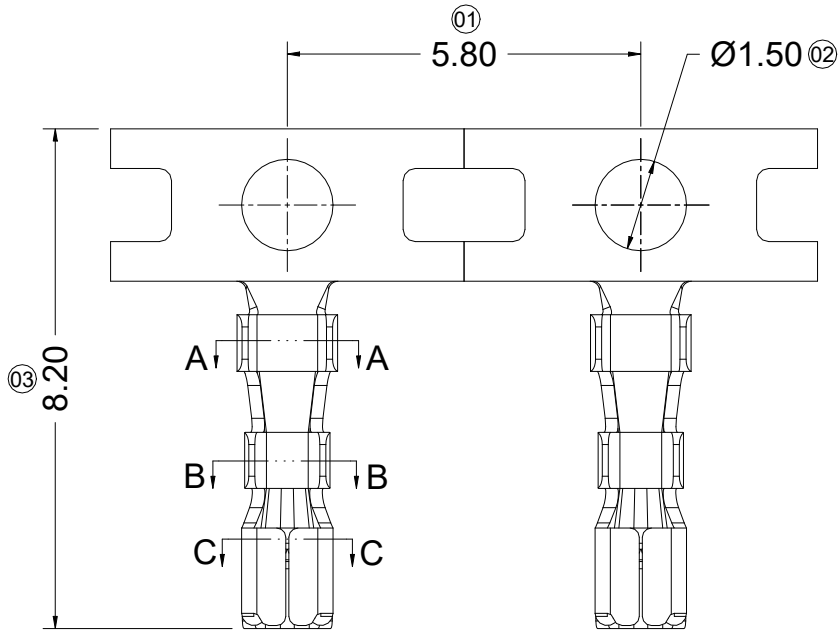
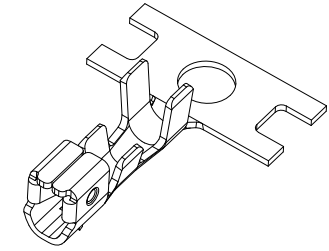
SMS 东莞市思索技术股份有限公司
Dongguan SESO Technology Co.,Ltd.

APPROVAL	CHECK	DRAWN	DATE
Jack Zhang	Larry Yang	Guo	2007/05/03

PART NO.				
2012H-XX-N0XX				
TITLE				
2.00mm Crimp Style Connectors				
UNIT	SCALE	SHEET	REV	NUMBER
mm	1:1	1/1	F	A-253

RoHS

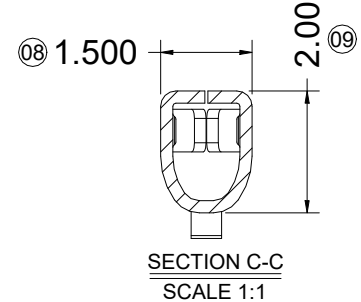
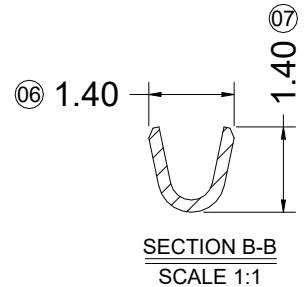
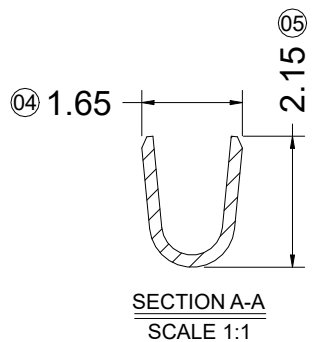
This products can apply to the SESO Doc NO. QA-3-04-005 of Environmental&Material Management Rules



- Specifications :
- Voltage rating: 125V AC / DC
 - Current rating: 2A AC / DC
 - Withstanding voltage: 1000V AC/minute
 - Temperature range: -25°C~+85°C
 - Insulation resistance: ≥1000MΩ
 - Contact resistance: ≤20mΩ
 - After environmental testing: ≤40mΩ
 - Material(Pin): Phosphor bronze
 - Mates With SESO Housing: 2012H
 - Wire Range: AWG#24-30
 - Insulation O.D: 1.40mm(Max)

2012 T X - P SN X - X
 ① ② ③ ④ ⑤ ⑥ ⑦

- ① Series Number
- ② Category: T-terminal
- ③ Shape: Blank-ordinary
- ④ Metal material: P-Phosphor bronze
- ⑤ Plating Code: SN-Bright tin plating
- ⑥ Plating method: Blank-Stamping before plating
- ⑦ Mold No./Mark/Special No. :



						GENERAL TOLERANCE				PART NO. 2012T-PSNX				
						.X ±0.30				TITLE 2.00mm Crimp Style Connectors				
						.XX ±0.20				APPROVAL				
						.XXX ±0.10				CHECK				
						X.° ±2°				DRAWN				
						PROJECT				DATE				
						APPROVAL				DATE				
						PROJECT				UNIT				
						APPROVAL				SCALE				
						APPROVAL				SHEET				
						APPROVAL				REV				
						APPROVAL				NUMBER				
						APPROVAL				mm				
						APPROVAL				1:1				
						APPROVAL				1/1				
						APPROVAL				D1				
						APPROVAL				A-053				

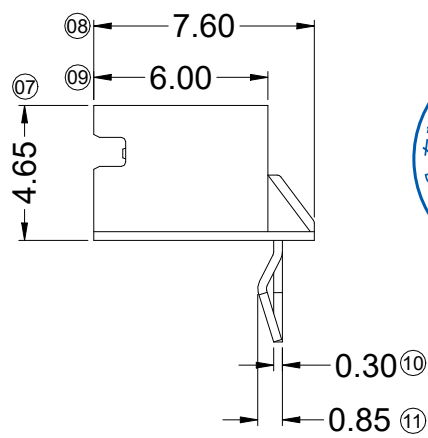
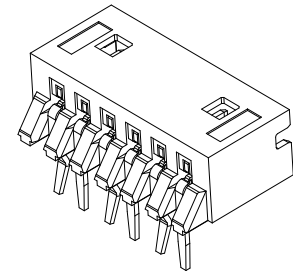
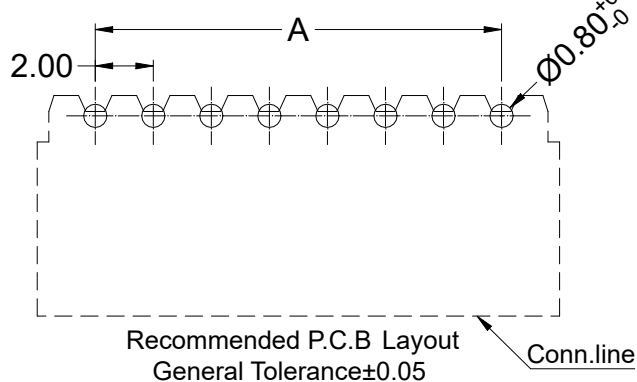
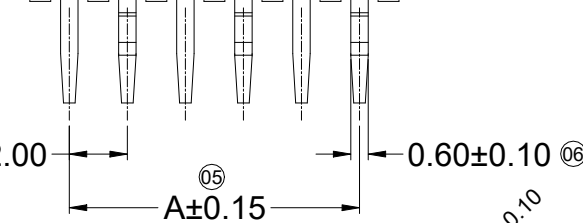
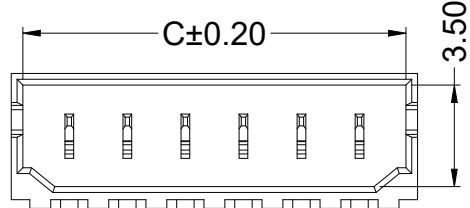
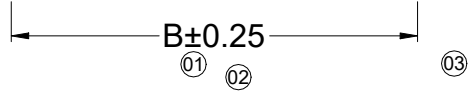
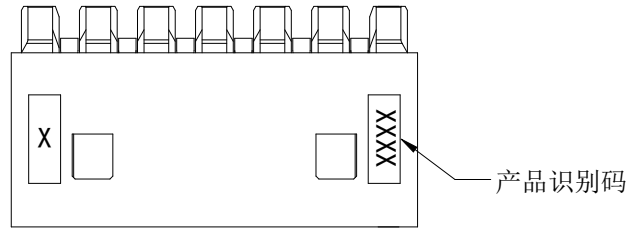
SMS 东莞市思索技术股份有限公司
 Dongguan SESO Technology Co.,Ltd.

APPROVAL: Jack Zhang
 CHECK: Larry Yang
 DRAWN: Guo
 DATE: 2014/04/14

2023.10.4	D1	/	Modify rated voltage	Larry Yang	Guo
2020.4.15	D	EN20200409001	Update Drawing Frame	YYting	Robing
DATE	REV	ECN NO.	DESCRIPTION	MODIFY	APPROVAL

RoHS

This products can apply to the SESO Doc NO. QA-3-04-005 of Environmental&Material Management Rules



- Specifications :
- Voltage rating: 125V AC / DC
 - Current rating: 2A AC / DC
 - Withstanding voltage: 800V AC/minute
 - Temperature range: -25°C~+85°C
 - Insulation resistance: ≥1000MΩ
 - Contact resistance: ≤20mΩ
 - After environmental testing: ≤30mΩ
 - Material(Pin): Phosphor Bronze
 - Mates With SESO Housing: 2012H

2012 W R X - XX X - N0 XX XX
 ① ②③④ ⑤ ⑥ ⑦ ⑧ ⑨

- ① Series No.
- ② Category: W-WAFER
- ③ Welding Board Angle: R-Right Angle 90°
- ④ Welding Way: Blank-DIP
- ⑤ Row No.-Pin No.: XX-02P~15P
- ⑥ Plug the Pin & Special No.:
- ⑦ Material: N0 -PA66 UL 94V-0
- ⑧ Plating Category: SN-Bright Tin Plating; SW-Matte Tin Plating
- ⑨ Color : Blank-Natural Color

Poles	Dimensions (mm)			Poles	Dimensions (mm)		
	A	B	C		A	B	C
02	2.00	6.00	5.20	09	16.00	20.00	19.20
03	4.00	8.00	7.20	10	18.00	22.00	21.20
04	6.00	10.00	9.20	11	20.00	24.00	23.20
05	8.00	12.00	11.20	12	22.00	26.00	25.20
06	10.00	14.00	13.20	13	24.00	28.00	27.20
07	12.00	16.00	15.20	14	26.00	30.00	29.20
08	14.00	18.00	17.20	15	28.00	32.00	31.20

DATE	REV	ECN NO.	DESCRIPTION	MODIFY	APPROVAL
2020.4.09	B	EN20200409001	Update Drawing Frame	YY'ting	Robing

GENERAL TOLERANCE
 .X ±0.30
 .XX ±0.20
 .XXX ±0.10
 X.° ±2°

SMS 东莞市思索技术股份有限公司
 Dongguan SESO Technology Co.,Ltd.

PROJECT:

APPROVAL: Jack Zhang
 CHECK: Larry Yang
 DRAWN: Guo
 DATE: 2018/05/14

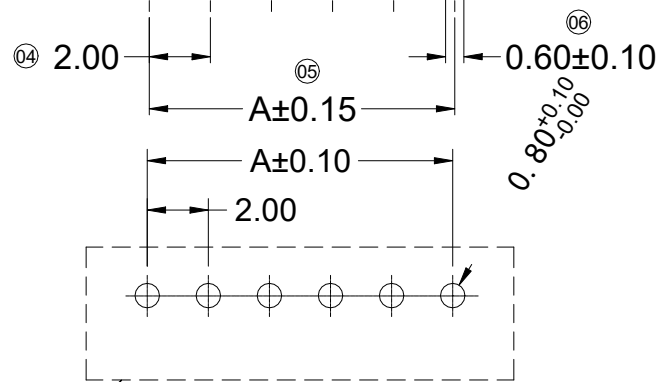
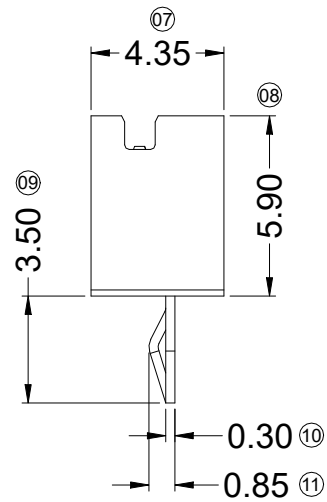
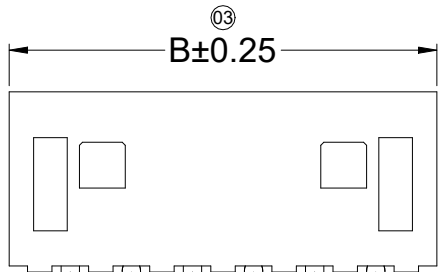
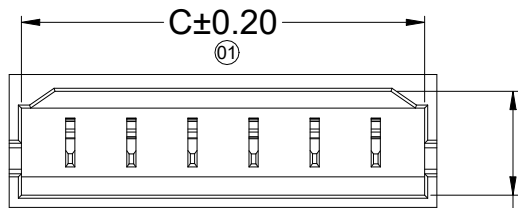
PART NO. 2012WR-XX-N0XX

TITLE 2.00mm Crimp Style Connectors

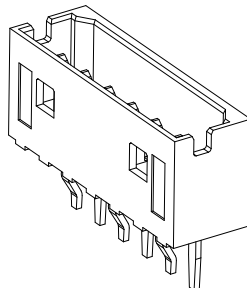
UNIT	SCALE	SHEET	REV	NUMBER
mm	1:1	1/1	B	A-253

RoHS

This products can apply to the SESO Doc NO. QA-3-04-005 of Environmental&Material Management Rules



Conn.line
Recommended P.C.B Layout
General Tolerance±0.05



Specifications :

- Voltage rating: 125V AC / DC
- Current rating: 2A AC / DC
- Withstanding voltage: 800V AC/minute
- Temperature range: -25°C~+85°C
- Insulation resistance:≥1000MΩ
- Contact resistance: ≤20mΩ
- After environmental testing: ≤30mΩ
- Material(Pin): Phosphor Bronze
- Mates With SESO Housing: 2012H

2012 W V X - XX X - N0 XX XX
① ②③④ ⑤⑥ ⑦ ⑧ ⑨

- ① Series No.
- ② Category: W-WAFER
- ③ Connector type: V-Straight 180°
- ④ Mounting type: Blank-DIP
- ⑤ Row No.-Pin No per row: XX-02P~15P
- ⑥ Special No.:
- ⑦ Material: N0 -PA66 UL 94V-0
- ⑧ Plating code: SN-Bright Tin Plating
SW-Matte Tin Plating
- ⑨ Color : Blank-Natural Color



Poles	Dimensions (mm)			Poles	Dimensions (mm)		
	A	B	C		A	B	C
02	2.00	6.00	5.20	09	16.00	20.00	19.20
03	4.00	8.00	7.20	10	18.00	22.00	21.20
04	6.00	10.00	9.20	11	20.00	24.00	23.20
05	8.00	12.00	11.20	12	22.00	26.00	25.20
06	10.00	14.00	13.20	13	24.00	28.00	27.20
07	12.00	16.00	15.20	14	26.00	30.00	29.20
08	14.00	18.00	17.20	15	28.00	32.00	31.20

DATE	REV	ECN NO.	DESCRIPTION	MODIFY	APPROVAL
2020.4.09	G	EN20200409001	Update Drawing Frame	YYting	Robing

GENERAL TOLERANCE
.X ±0.30
.XX ±0.20
.XXX ±0.10
X.° ±2°

SMS 东莞市思索技术股份有限公司
Dongguan SESO Technology Co.,Ltd.

APPROVAL: Jack Zhang
CHECK: Larry Yang
DRAWN: Guo
DATE: 2018/05/14

PART NO. 2012WV-XX-N0XX

TITLE 2.00mm Crimp Style Connectors

UNIT	SCALE	SHEET	REV	NUMBER
mm	1:1	1/1	G	A-253