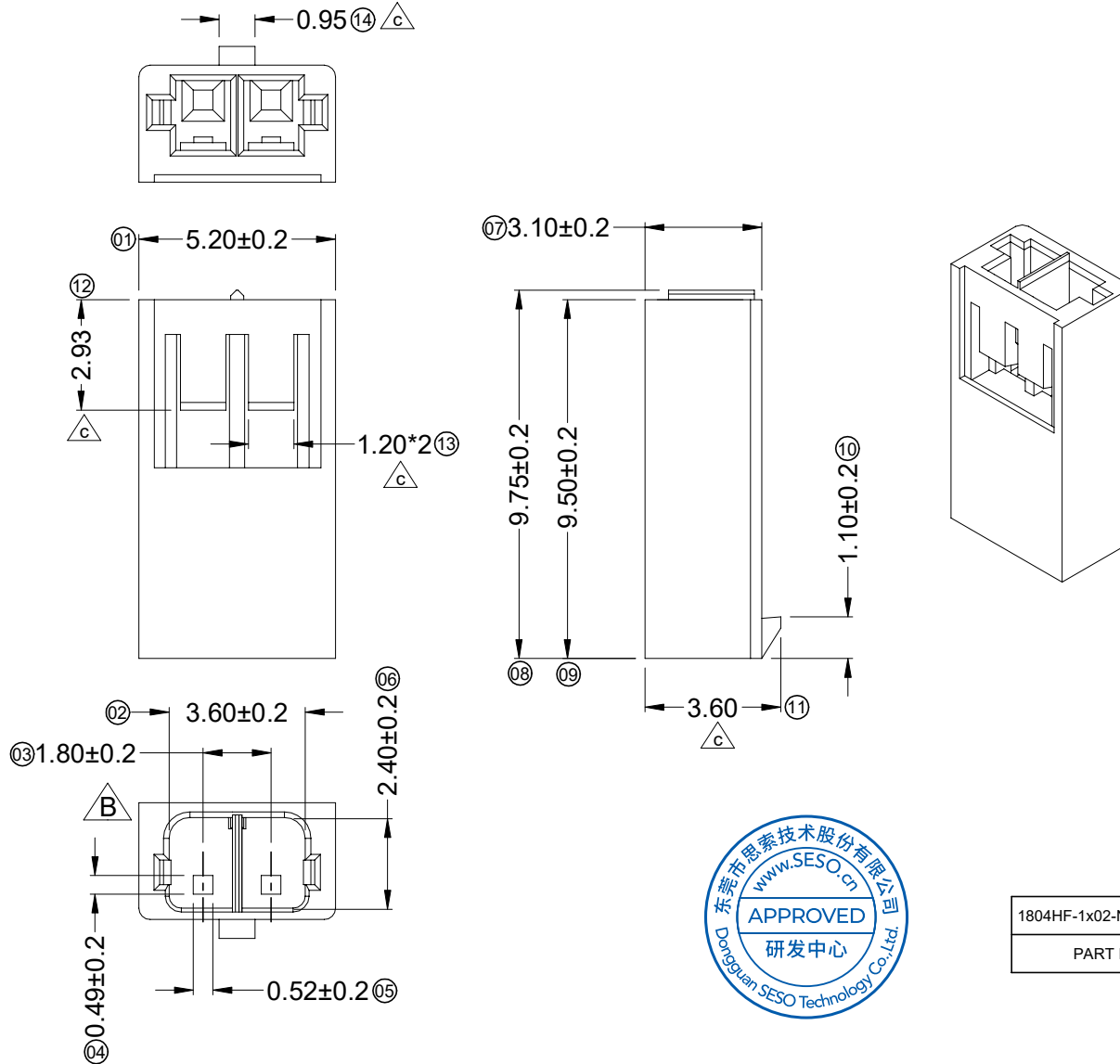


RoHS

This products can apply to the SESO Doc NO. QA-3-04-005 of Environmental&Material Management Rules



■ Specifications :

- Voltage rating: 350V AC / DC
- Current rating: 4A AC / DC
- Withstanding voltage: 1700V AC/minute
- Temperature range: -40°C~+105°C
- Insulation resistance:≥1000MΩ
- Contact resistance: ≤10mΩ
- After environmental testing: ≤20mΩ

1804 H F - 1x02 - N0 X B H 01 Q
 ① ② ③ ④ ⑤ ⑥ ⑦ ⑧ ⑨ ⑩

- ① Series No.
 - ② Category: H-HSG
 - ③ Product form: F-Female HSG
 - ④ Row No.-Pin No.: 1x02-02P
 - ⑤ Material: N0-PA66 94V-0
 - ⑥ Colour: N-True color B-Black color
 - ⑦ Packing: B-Bag
 - ⑧ Green code: H-Halogen-free R-Rohs
 - ⑨ Water code: 01
 - ⑩ Special code
- F----Other Connectors Q----Automotive Connecto

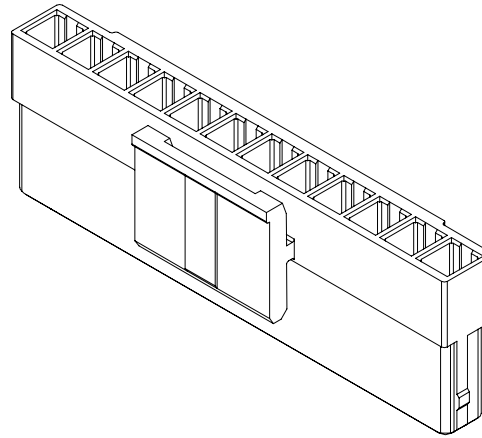
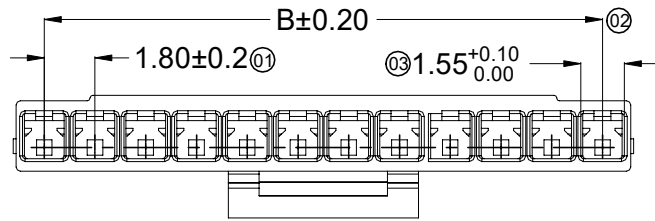


1804HF-1x02-N0NBH01Q	Nylon 66 UL 94V-0 Halogen-Free	1804TM-B03S-01Q	1800H-02A/1800T-XXX-A
PART NO	Material	Suitable SESO Terminal	Suitable SESO Housing

2023/08/19	D		Update Drawing Frame	LXZ	Larry Yang	GENERAL TOLERANCE .X ±0.35 .XX ±0.25 .XXX ±0.15 X.° ±2° PROJECT 	SMS 东莞市思索技术股份有限公司 Dongguan SESO Technology Co.,Ltd.	PART NO. 1804HF-1x02-N0XBH01Q				
2020/06/01	C		Add Lock Dim for 11,12,13,14	Joshua	Joshua			TITLE 1.80mm Crimp Style Connectors				
2019/05/10	B	EN20200417001	Update the drawing according to the material object	Yangmeng	Joshua			APPROVAL	CHECK	DRAWN	DATE	UNIT SCALE SHEET REV NUMBER
DATE	REV	ECN NO	DESCRIPTION	MODIFY	APPROVAL			Jack Zhang	Larry Yang	Oneh	2018/08/15	mm 1:1 1/1 D A-022

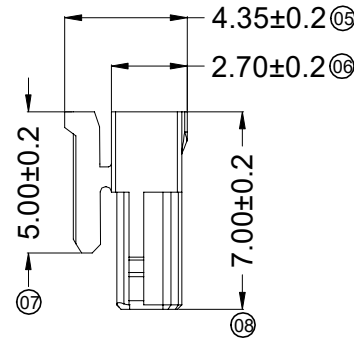
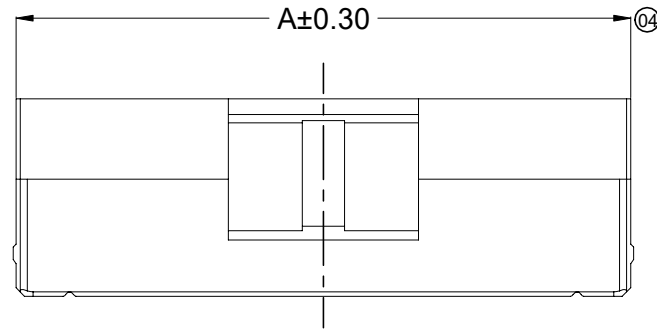
RoHS

This products can apply to the SESO Doc NO. QA-3-04-005 of Environmental&Material Management Rules

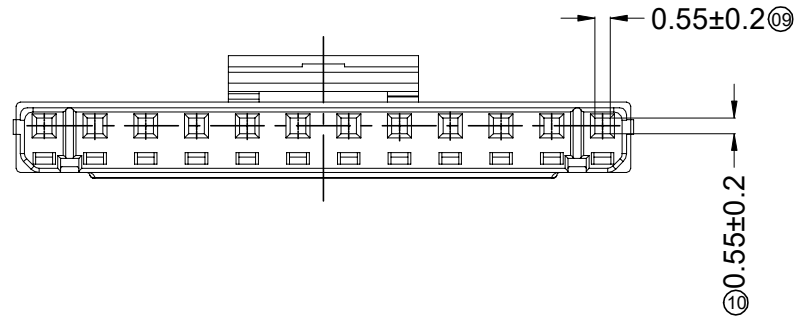


- Specifications :
- Voltage rating: 350V AC / DC
 - Current rating: See the table below
 - Withstanding voltage: 1700V AC/minute
 - Temperature range: -40°C~+105°C
 - Insulation resistance: ≥1000MΩ
 - Contact resistance: ≤10mΩ
 - After environmental testing: ≤20mΩ
 - Mates With SESO Terminal 1804TF
 - Mates With SESO Wafer 1804WRS

1804 H M - XX - N0 X B H 01 Q
 ① ② ③ ④ ⑤ ⑥ ⑦ ⑧ ⑨ ⑩



- ① Series No.
- ② Category: H-HSG
- ③ Product form: M-Male HSG
- ④ Row No.-Pin No.: 1xXX-Single Row
- ⑤ Material: N0-PA66 94V-0
- ⑥ Colour: B-Black N-Nature
- ⑦ Packing: B-Bag
- ⑧ Green code: H-Halogen-free R-Rohs
- ⑨ Water code: 01
- ⑩ Special code
Q---Automotive Connecto



PIN位	尺寸(mm)		Current rating		
	A	B	22#	24#	26#
03	5.60	3.60			
04	7.40	5.40			
05	9.20	7.20			
06	11.00	9.00	4.5A	4A	2A
07	12.80	10.80			
08	14.60	12.60			
09	16.40	14.40			
10	18.20	16.20			
11	20.00	18.00			
12	21.80	19.80	3.5A	2A	2A

					GENERAL TOLERANCE				PART NO. 1804HM-XX-N0XBH01Q					
					.X ±0.35				APPROVAL CHECK DRAWN DATE					
					.XX ±0.25									
					.XXX ±0.15				TITLE 1.80mm Crimp Style Connectors					
					X ₂ ° ±2°				UNIT SCALE SHEET REV NUMBER					
2023.08.21	B		Update Drawing Frame	LXZ	Larry Yang	PROJECT	Jack Zhang	Larry Yang	Joshua	2018/11/24	mm 1:1 1/1 B A-000			
DATE	REV	ECN NO	DESCRIPTION	MODIFY	APPROVAL									

SMS 东莞市思索技术股份有限公司
 Dongguan SESO Technology Co.,Ltd.

RoHS

This products can apply to the SESO Doc NO. QA-3-04-005 of Environmental&Material Management Rules

Specifications :

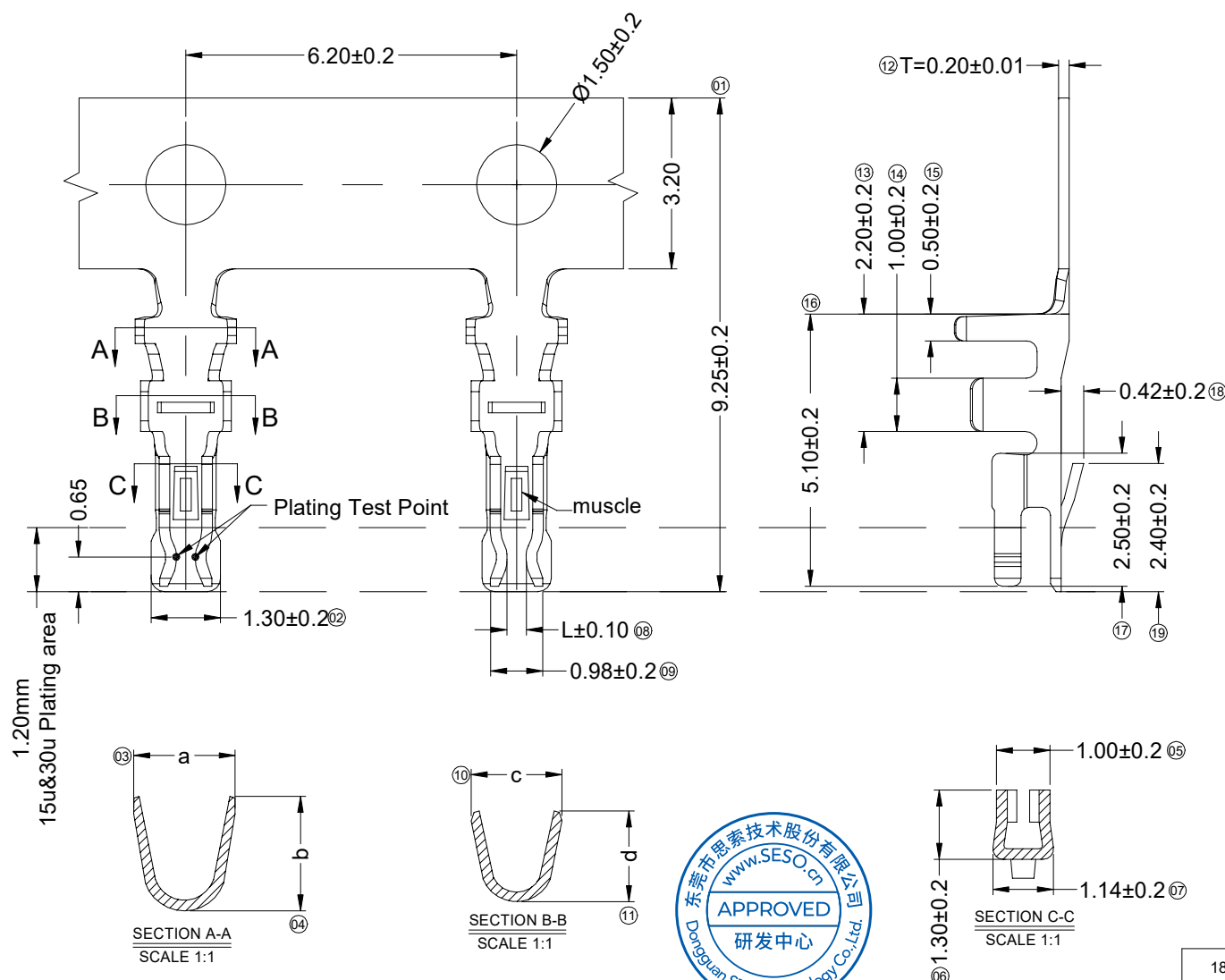
- Voltage rating: 350V AC / DC
- Current rating: See Table below
- Withstanding voltage: 1700V AC/minute
- Temperature range: -40°C~+105°C
- Insulation resistance: ≥1000MΩ
- Contact resistance: ≤10mΩ
- After environmental testing: ≤20mΩ
- Wire Range: See Table below
- Insulation O.D: See Table below
- Mates With SESO Housing: 1804HM

1804 T F X - P XX S L - 01 Q
 ① ② ③ ④ ⑤ ⑥ ⑦ ⑧ ⑨ ⑩

- ① Series No
- ② Category: T-terminal
- ③ Shape: F-Female Terminal
- ④ Product form: Blank-ordinary
- ⑤ Material: P-Phosphor Bronze
- ⑥ Plating Code:
 03-All Area Sn100μ"Min.; Ni 50μ"Min.
 10-All Area gold 0.8u"Min.; Ni 50u" Min.
 12-Contact Area gold 15u"Min.;
 Other Area gold 0.8u"Min.; Ni 50u" Min.
 13-Contact Area gold 30u"Min.;
 Other Area gold 0.8u"Min.; Ni 50u" Min.
- ⑦ Plating method: S-Stamping before plating
- ⑧ High and low feet: L= Lower
- ⑨ Sequence Number:
 01-Grip size L-0.36mm
 02-Grip size L-0.30mm
- ⑩ Special code: Q----Automotive Connectors

PIN	Current rating	
	26#	28#
06P	2A	2A
12P	2A	2A

1804TF-PXXSL-XXQ	AWG#26-28 UL3266	1.20~1.30mm	1.70	1.95	1.00	1.10	
PART No.	Wire Size	Insulation	O.D	DIM a	DIM b	DIM c	DIM d



DATE	REV	ECN NO	DESCRIPTION	MODIFY	APPROVAL
23.08.21	F2	/	Update Drawing Frame	LXZ	Larry Yang
21.01.22	F1	EN20210122002	Add New Plating Type	HuangTao	Joshua
21.01.07	F	EN20210107001	Added Grip size L-0.30mm	Zeng	Robing

GENERAL TOLERANCE		PROJECT	APPROVAL	CHECK	DRAWN	DATE
.X	±0.30					
.XX	±0.20					
.XXX	±0.10					
X.°	±2°					
PROJECT		Jack Zhang	Larry Yang	Yangmeng	2019/05/10	

PART NO. 1804TFX-PXXSL-01Q					
TITLE					
1.80mm Crimp Style Connectors					
UNIT	SCALE	SHEET	REV	NUMBER	
mm	1:1	1/1	F2	A-000	

SMS 东莞市思索技术股份有限公司
 Dongguan SESO Technology Co.,Ltd.

RoHS

This products can apply to the SESO Doc NO. QA-3-04-005 of Environmental&Material Management Rules

Specifications :

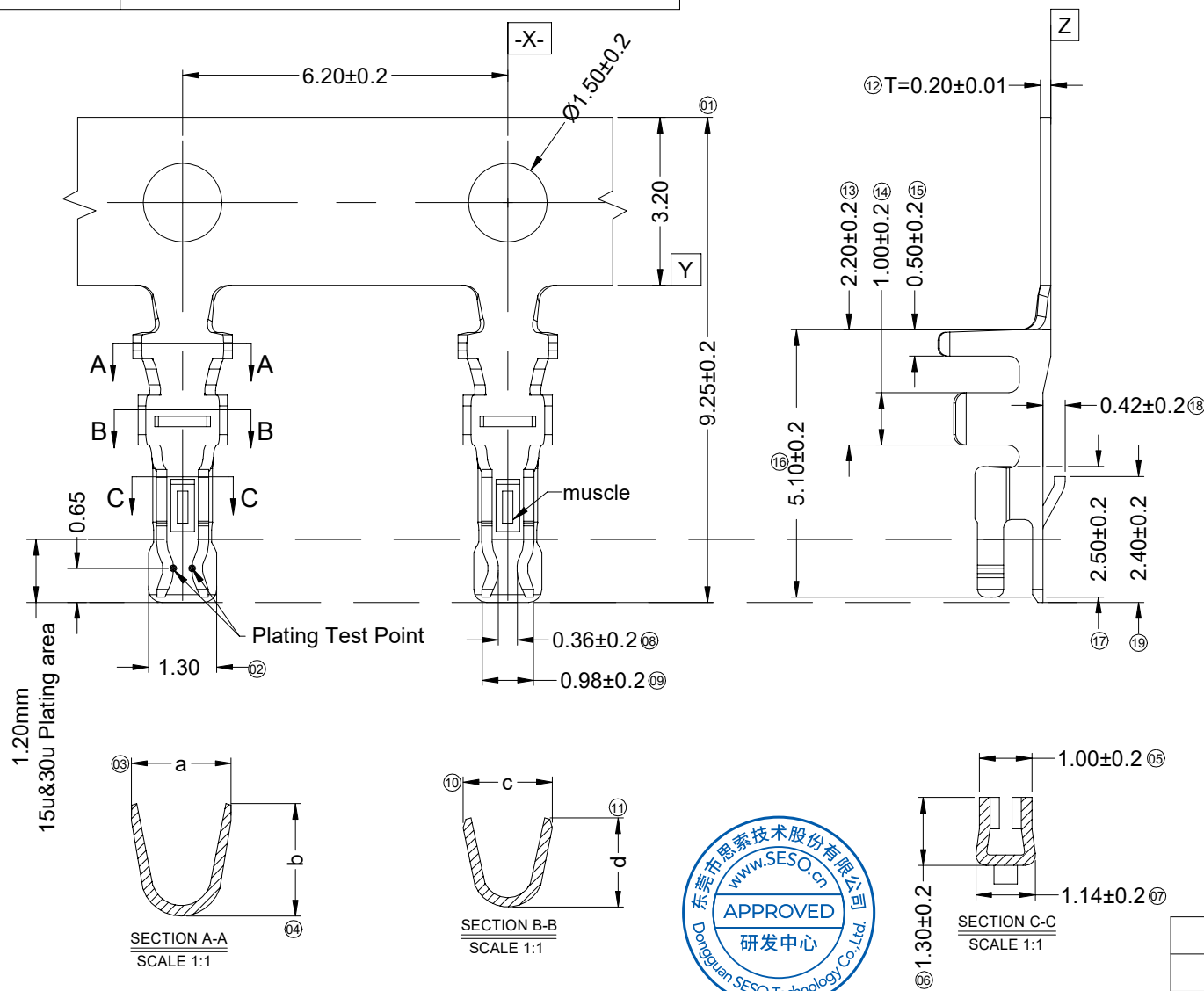
- Voltage rating: 350V AC / DC
- Current rating: See Table below
- Withstanding voltage: 1700V AC/minute
- Temperature range: -40°C~+105°C
- Insulation resistance:≥1000MΩ
- Contact resistance: ≤10mΩ
- After environmental testing: ≤20mΩ
- Wire Range:See Table below
- Insulation O.D:See Table below
- Mates With SESO Housing: 1804HM

1804 T F X - P XX X X - XX Q
 ① ② ③ ④ ⑤ ⑥ ⑦ ⑧ ⑨ ⑩

- ① Series No
- ② Category: T-terminal
- ③ Shape:F-Female Terminal
- ④ Product form: Blank-ordinary
- ⑤ Material:P-Phosphor Bronze
- ⑥ Plating Code:
 03-All Area Sn100μ"Min.; Ni 50μ"Min.
 10-All Area gold 0.8u"Min.;Ni 50u" Min.
 12-Contact Area gold 15u"Min.;
 Other Area gold 0.8u"Min.; Ni 50u" Min.
 13-Contact Area gold 30u"Min.;
 Other Area gold 0.8u"Min.; Ni 50u" Min.
- ⑦ Plating method:S-Stamping before plating
- ⑧ High and low feet: Blank-ordinary
- ⑨ Sequence Number:Nomarl-01,FRLY A-02
- ⑩ Special code: Q----Automotive Connectors

PIN	Current rating		
	22#	24#	26#
06P	4.5A	4A	2A
12P	3.5A	2A	2A

1804TF-PXXS-02Q	FLRY-A	1.20mm	1.65	1.80	1.70	1.70
1804TF-PXXS-01Q	AWG#22-26 UL1061	1.20~1.30mm	1.90	2.15	1.70	1.70
PART No.	Wire Size	Insulation O.D	DIM a	DIM b	DIM c	DIM d



23.08.21	E2	/	Update Drawing Frame	LXZ	Larry Yang
21.01.22	E1	EN20210122002	Add New Plating Type	HuangTao	Joshua
20.11.26	E	EN20201126003	1804TF-P03S-01Q ADD AWG#26 TYPE	HuangTao	Joshua
DATE	REV	ECN NO	DESCRIPTION	MODIFY	APPROVAL

GENERAL TOLERANCE	
.X	±0.30
.XX	±0.20
.XXX	±0.10
X.°	±2°
PROJECT	
⊕	

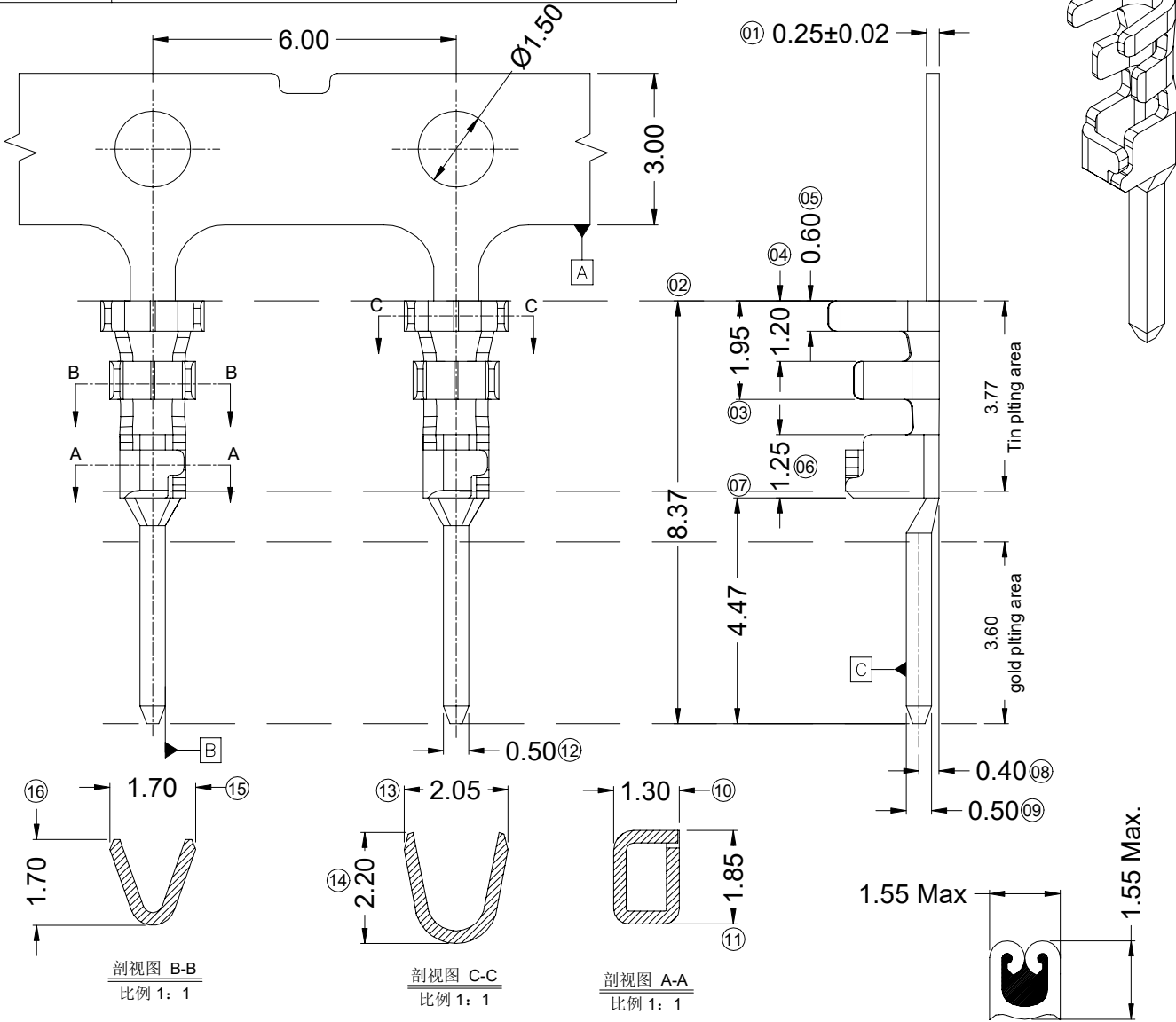
SMS 东莞市思索技术股份有限公司
 Dongguan SESO Technology Co., Ltd.

APPROVAL	CHECK	DRAWN	DATE
Jack Zhang	Larry Yang	Yangmeng	2019/05/10

PART NO. 1804TFX-PXXXX-XXQ				
TITLE				
1.80mm Crimp Style Connectors				
UNIT	SCALE	SHEET	REV	NUMBER
mm	1:1	1/1	E2	A-000

RoHS

This products can apply to the SESO Doc NO. QA-3-04-005 of Environmental&Material Management Rules



■ Specifications :

- Voltage rating: 350V AC / DC
- Current rating: 4A AC / DC
- Withstanding voltage: 1700V AC/minute
- Temperature range: -40°C~+105°C
- Insulation resistance: $\geq 1000M\Omega$
- Contact resistance: $\leq 10m\Omega$
- After environmental testing: $\leq 20m\Omega$
- Wire Range: AWG#22~AWG#26
- Insulation O.D: 1.30mm(Max)
- Mates With SWB Housing: 1804HF

1804 T M X-B XX S X - 01 Q

① ② ③ ④ ⑤ ⑥ ⑦ ⑧ ⑨ ⑩

- ① Series No
- ② Category: T-terminal
- ③ Shape: M-Male Terminal
- ④ Product form: Blank-ordinary
- ⑤ Material: B-Brass
- ⑥ Plating Code:
 - 03-Sn 100 μ " Min.; Ni 50 μ " Min.
 - 30-Contact Area gold 0.8u"Min.;
 - Other Area Tin 100u" Min.; Ni 50u" Min.
 - 32-Contact Area gold 15u"Min.;
 - Other Area Tin 100u" Min.; Ni 50u" Min.
 - 33-Contact Area gold 30u"Min.;
 - Other Area Tin 100u" Min.; Ni 50u" Min.
- ⑦ Plating method: S-Stamping before plating
- ⑧ High and low feet: Blank-ordinary
- ⑨ Sequence Number: 01
- ⑩ Special code: Q-Automotive Connecto



DATE	REV	ECN NO	DESCRIPTION	MODIFY	APPROVAL
23.08.21	A2		Update Drawing Frame	LXZ	LarryYang
21.01.21	A1		Add Au Plating Code	Mali	Joshua

GENERAL TOLERANCE		APPROVAL	CHECK	DRAWN	DATE
.X	± 0.30				
.XX	± 0.20				
.XXX	± 0.10				
X°	$\pm 2^\circ$				
PROJECT		Robing	Joshua	Oneh	2018/11/24

PART NO.				
1804TMX-BXXSX-01Q				
TITLE				
1.80mm Crimp Style Connectors				
UNIT	SCALE	SHEET	REV	NUMBER
mm	1:1	1/1	A2	A-000

SMS 东莞市思索技术股份有限公司
Dongguan SESO Technology Co.,Ltd.

RoHS

This products can apply to the SESO Doc NO. QA-3-04-005 of Environmental&Material Management Rules

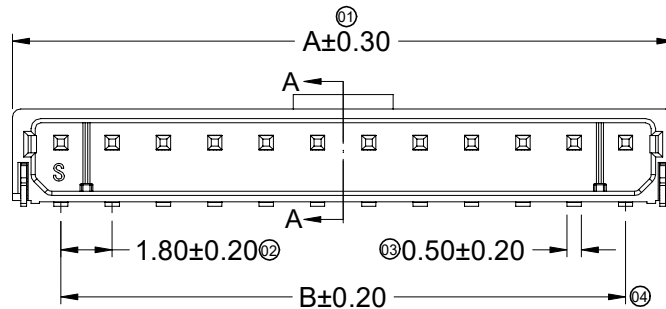
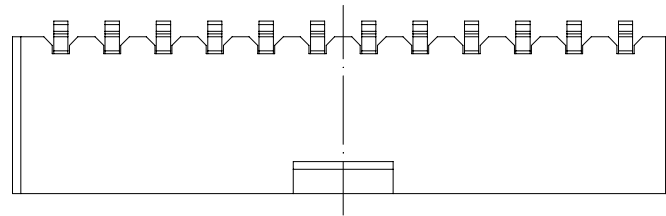
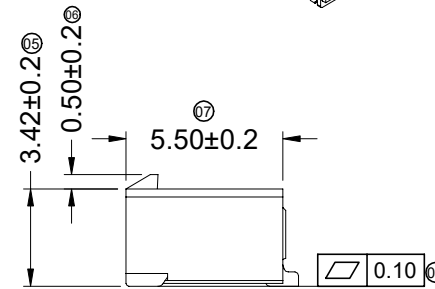
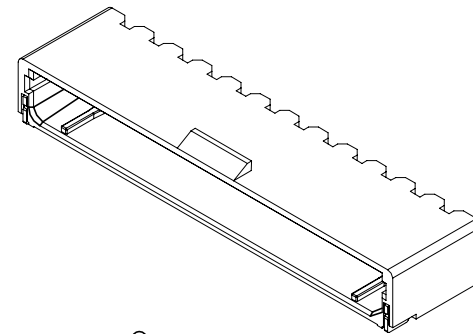
■ Specifications :

- Voltage rating: 350V AC / DC
- Current rating: See the table below
- Withstanding voltage: 1700V AC/minute
- Temperature range: -40°C~+105°C
- Insulation resistance:≥1000MΩ
- Contact resistance: ≤10mΩ
- After environmental testing: ≤20mΩ
- Material(Pin&Solder tab): Brass
- Finish(Solder Tabs): Matte Tin Plating
- Mates With SESO Housing1804HM-1xXX-N0BBH01Q

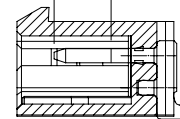
1804 W R S-1xXX -XX X B XX R H 001 Q
 ①① ①② ①③ ①④ ①⑤ ①⑥ ①⑦ ①⑧ ①⑨ ①⑩ ①⑪ ①⑫ ①⑬

- ① Series No.
- ② Category:W-Wafer
- ③ Connector Type: R-90°
- ④ Mounting Type: S-SMT
- ⑤ Row No.-Pin No Per Row.: 1xXX-Single Row
- ⑥ Material: 4T-PA4T 94V-0
- ⑦ Color: N-Natural B-Black
- ⑧ Metal material: B-Brass
- ⑨ Plating Code:
 05- Matte Tin Plating(Ni 50u"Min. ; Tin100u"Min.)
 30-Contact Area gold0.8u"Min;Other Area MatteTin 100u"Min;
 Ni 50u"Min.
 32-Contact Area gold15u"Min;Other Area MatteTin 100u"Min;
 Ni 50u"Min.
 33-Contact Area gold 30u"Min;Other Area MatteTin 100u"Min;
 Ni 50u"Min.
- ⑩ Packing: R-Reel
- ⑪ Green code:H-Halogen-free
- ⑫ Sequence Number:001
- ⑬ Special code :Q-Automotive Connectors

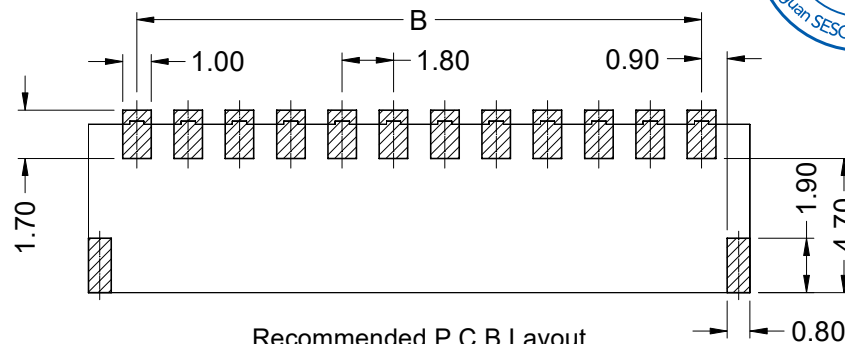
Poles	Dimensions (mm)		Current rating		
	A	B	22#	24#	26#
03	7.00	3.60			
04	8.80	5.40			
05	10.60	7.20			
06	12.40	9.00	4.5A	4A	2A
07	14.20	10.80			
08	16.00	12.60			
09	17.80	14.40			
10	19.60	16.20			
11	21.40	18.00			
12	23.20	19.80	3.5A	2A	2A



2.00 gold plating test area



SECTION A-A
SCALE 1:1



Recommended P.C.B Layout
General Tolerance±0.05

DATE	REV	ECN NO	DESCRIPTION	MODIFY	APPROVAL
23.08.21	A2	/	Update Drawing Frame	LXZ	Larry Yang

GENERAL TOLERANCE	
.X	±0.35
.XX	±0.25
.XXX	±0.15
X.°	±2°
PROJECT	
⊕	□

SMS 东莞市思索技术股份有限公司
Dongguan SESO Technology Co.,Ltd.

APPROVAL	CHECK	DRAWN	DATE
Robing	Joshua	Oneh	2018/11/24

PART NO.				
1804WRS-1xXX -XXXBXXRH001Q				
TITLE				
1.80mm Wafer Connector				
UNIT	SCALE	SHEET	REV	NUMBER
mm	1:1	1/1	A2	A-000