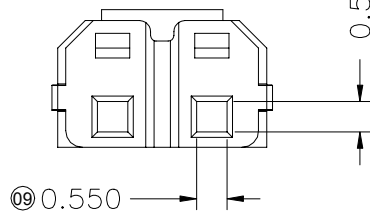
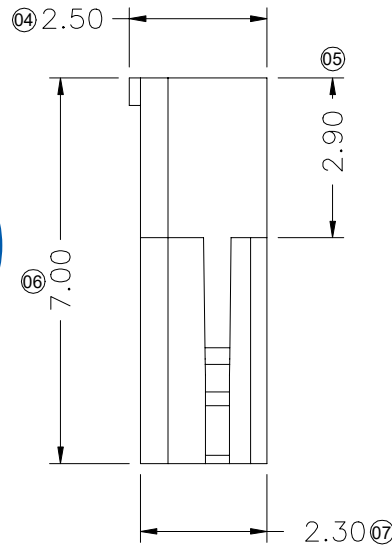
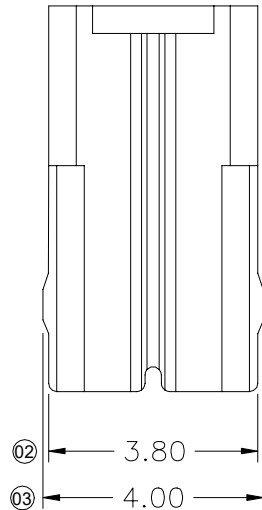
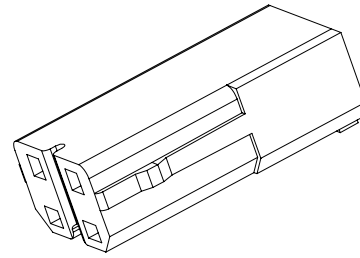
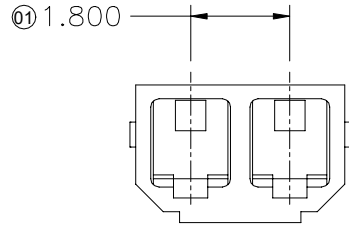


RoHS

This products can apply to the SESO Doc NO. QA-3-04-005 of Environmental&Material Management Rules



■ Specifications :

- Voltage rating: 350V AC / DC
- Current rating: 4A AC / DC (AWG#22)
- Withstanding voltage: 1700V AC/minute
- Temperature range: -40°C~+105°C
- Insulation resistance: ≥1000MΩ
- Contact resistance: ≤10mΩ
- After environmental testing: ≤20mΩ
- Suitable SESO Terminal: 1800TX-PSN-A
- Suitable SESO Wafer: 1800WRS-02

1800 H X-02 XX-N0 HF
 ① ② ③ ④ ⑤ ⑥ ⑦

- ① Series No.
- ② Category: H-HSG
- ③ Welding Board Angle: Blank-ordinary
- ④ Row No.-Pin No.: 02-02P
- ⑤ Special No.:
- ⑥ Material: N0-PA66 94V-0
- ⑦ HF-Halogen Free

2023/08/18	C1	/	Update Drawing Frame	Zhou	Larry Yang
2020/03/17	C	EN20200317003	Update Drawing Frame, The Same ECR And ECN NO	Zeng	Robing
2017/11/21	B	EN20171121001	Drawing finish	Yu wei	Jacky
DATE	REV	ECN NO.	DESCRIPTION	MODIFY	APPROVAL

GENERAL TOLERANCE	
.X	±0.30
.XX	±0.20
.XXX	±0.10
X.°	±2°
PROJECT	

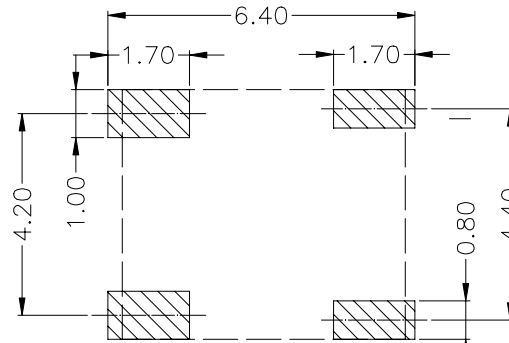
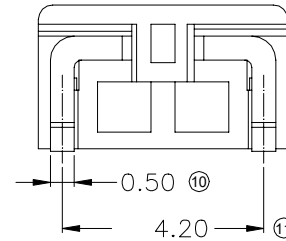
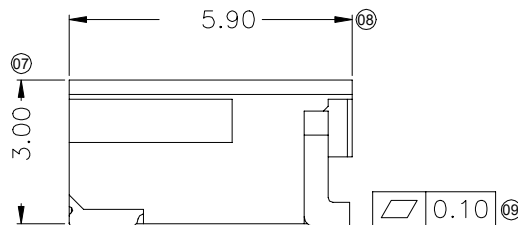
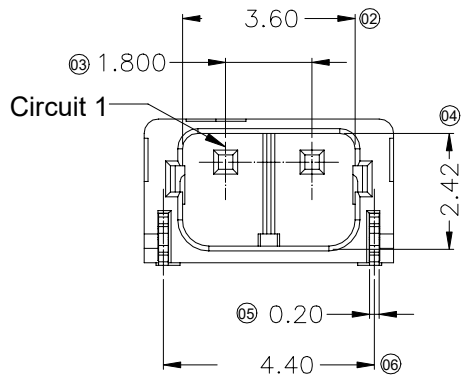
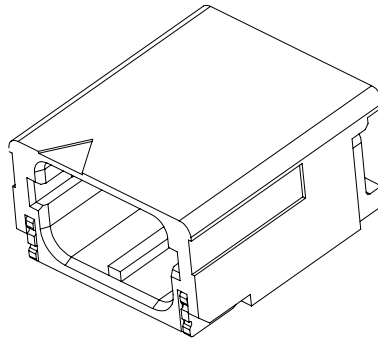
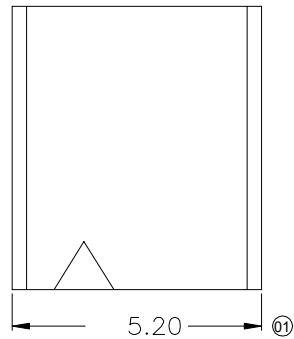
SMS 东莞市思索技术股份有限公司
 Dongguan SESO Technology Co.,Ltd.

APPROVAL	CHECK	DRAWN	DATE
Smark	Guo	Yu wei	2017/04/07

PART NO. 1800H-02-N0HF				
TITLE 1.80mm Crimp Style Connectors				
UNIT	SCALE	SHEET	REV	NUMBER
mm	1:1	1/1	C1	A-022

RoHS

This products can apply to the SESO Doc NO. QA-3-04-005 of Environmental&Material Management Rules



Recommended P.C.B Layout
General Tolerance±0.05

Specifications :

- Voltage rating: 350V AC / DC
- Current rating: 4A AC / DC (AWG#22)
- Withstanding voltage: 1700V AC/minute
- Temperature range: -40°C~+105°C
- Insulation resistance:≥1000MΩ
- Contact resistance: ≤10mΩ
- After environmental testing: ≤20mΩ

- Material(Pin&Solder tab):Brass
- Mates With SESO Housing:1800H-02

1800 W R S-02 X -LP SW XX
① ② ③ ④ ⑤ ⑥ ⑦ ⑧ ⑨

- ① Series No.
- ② Category: W-WAFER
- ③ Connector Type: R-Right Angle 90°
- ④ Mounting Type.: S-SMT
- ⑤ Row No.-Pin No.: 02-02P
- ⑥ Special No.: Blank-Without Lock
- ⑦ Material: LP -LCP 94V-0
- ⑧ Plating Category:
SW- 50u"Min Ni 、 100u"Min Matte Tin
- ⑨ Color : Blank-Natural Color



2023/08/18	C1	/	Update Drawing Frame	Zhou	Larry Yang	GENERAL TOLERANCE .X ±0.30 .XX ±0.20 .XXX ±0.10 X.° ±2° PROJECT 	东莞市思索技术股份有限公司 Dongguan SESO Technology Co.,Ltd.				PART NO. 1800WRS-02-LPSW				
2020/03/17	C	EN20200317003	Update Drawing Frame, The Same ECR And ECN NO	Zeng	Robing						APPROVAL				TITLE 1.80mm Crimp Style Connectors
2017/11/21	B	EN20171121001	Drawing finish	Yu wei	Jacky		CHECK				SCALE	SHEET	REV	NUMBER	
DATE	REV	ECN NO.	DESCRIPTION	MODIFY	APPROVAL		DRAWN				1:1	1/1	C1	A-000	
						DATE									
						Smak	Guo	Alan qin	2017/01/19						