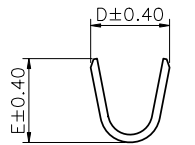
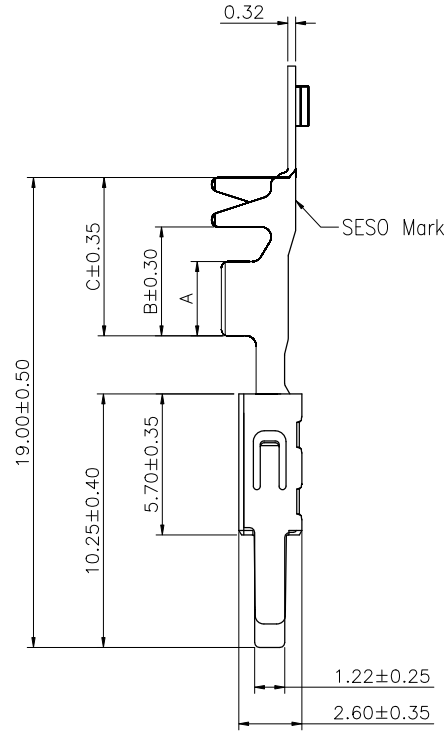
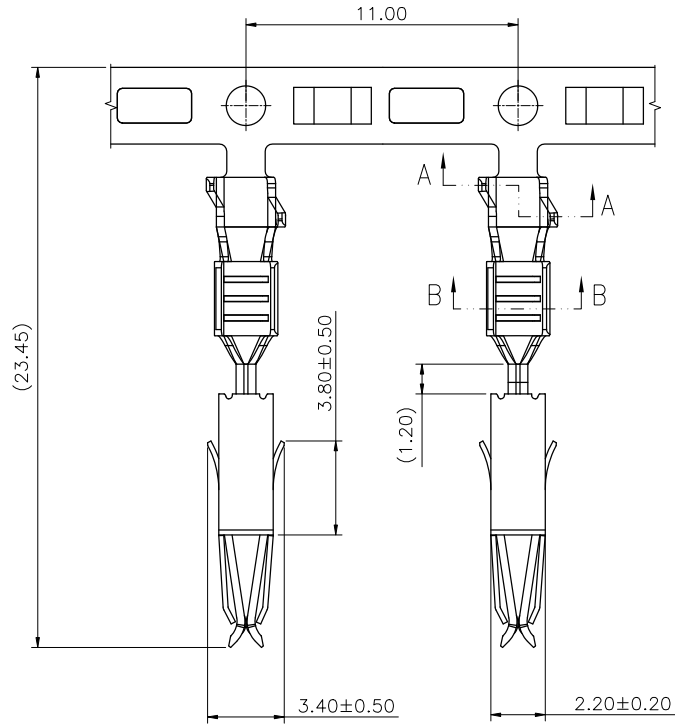
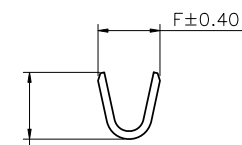


RoHS

This products can apply to the SESO Doc NO. QA-3-04-005 of Environmental&Material Management Rules



SECTION: A-A  
SCALE: 1:1



SECTION: B-B  
SCALE: 1:1



■ Specifications :

- Current rating: 10A AC/DC
- Temperature range: -40°C~+125°C
- Contact resistance: <math>\leq 20m\Omega</math>
- Packaging Drawing: PK-1602TXF-HY2B
- Product Specification: PS-1602-01

1602 I X F - H Y2 B  
① ②③④ ⑤ ⑥ ⑦

- ① Series No.
- ② Category: T-terminal
- ③ Shape: Blank-Common Feet ; H-High Feet ; L-Low Feet.
- ④ Connector Type: F-Female terminal
- ⑤ Material: H-Copper alloy
- ⑥ Plating code: Y2-40~120u"(1~3um)Tin,
- ⑦ Plating Process: B-Stamping After Plating

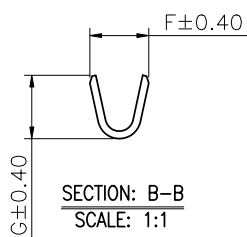
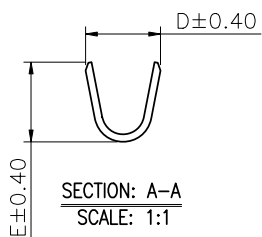
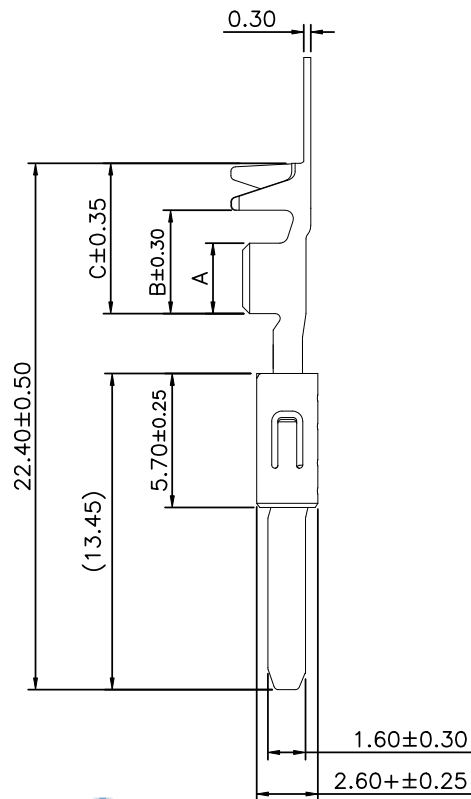
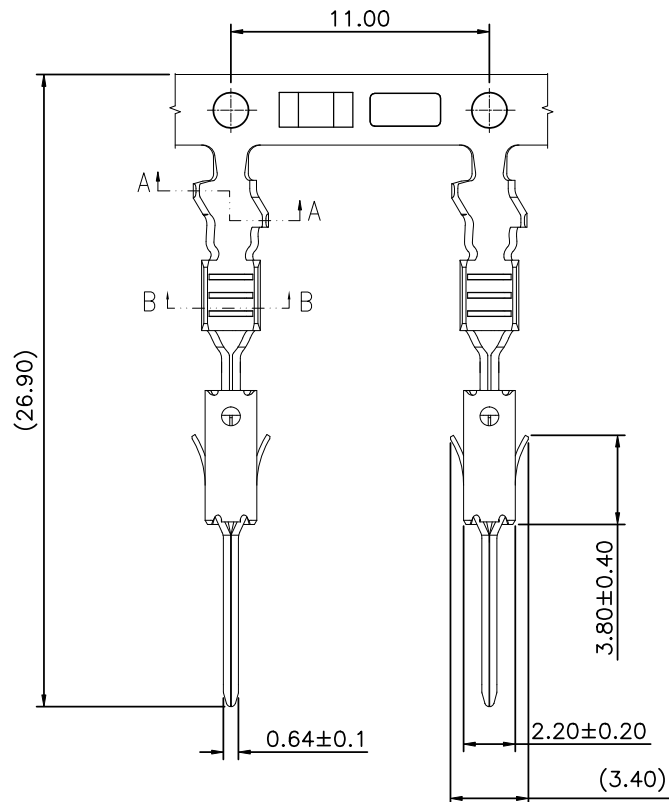
1602THF-HY2B	0.75~1.0mm <sup>2</sup>	1.90~2.10mm	3.00	4.40	6.40	3.20	3.40	2.50	2.70
1602TF-HY2B	0.35~0.50mm <sup>2</sup>	1.40~1.60mm	2.50	4.40	6.40	2.90	2.90	2.40	2.30
1602TLF-HY2B	0.22mm <sup>2</sup>	1.20mm	2.50	4.40	6.40	2.90	2.90	2.10	2.10
Part NO.	Wire Range	Insulation O.D.	A	B	C	D	E	F	G

					GENERAL TOLERANCE				PART NO. 1602TXF-HY2B							
					.X ±0.35				APPROVAL CHECK DRAWN DATE							
					.XX ±0.25											
					.XXX±0.15				TITLE 1.60mm MQS Female Terminal							
					X.' ±2'											
23/08/03	X0	/	Initial release	Joshua Lau	Jack Zhang	PROJECT Jason Huang Larry Yang Wangcheng				2023/08/03		UNIT mm	SCALE 1:1	SHEET 1/1	REV X0	NUMBER CD
DATE	REV	ECN NO.	DESCRIPTION	MODIFY	APPROVAL											

**SMS** 东莞市思索技术股份有限公司  
Dongguan SESO Technology Co.,Ltd.

RoHS

This products can apply to the SESO Doc NO. QA-3-04-005 of Environmental&Material Management Rules



■ Specifications :

- Current rating: 10A AC/DC
- Temperature range: -40°C~+125°C
- Contact resistance: <math>\leq 20m\Omega</math>
- Packaging Drawing: PK-1602TXM-HY2B
- Product Specification: PS-1602-01

1602 T X M - H Y2 B  
① ②③④ ⑤ ⑥ ⑦

- ① Series No.
- ② Category:T-terminal
- ③ Shape:Blank-Common Feet ; H-High Feet ; L-Low Feet.
- ④ Connector Type: M-Male terminal
- ⑤ Material: H-Copper alloy
- ⑥ Plating code: Y2-40~120u”(1~3um)Tin,
- ⑦ Plating Process: B-Stamping After Plating

1602THM-HY2B	0.75~1.0mm <sup>2</sup>	1.90~2.10mm	3.00	4.60	7.00	3.20	3.40	2.50	2.70
1602TM-HY2B	0.35~0.50mm <sup>2</sup>	1.40~1.60mm	2.50	4.40	6.40	2.90	2.90	2.40	2.30
1602TLM-HY2B	0.22mm <sup>2</sup>	1.20mm	2.50	4.40	6.40	2.90	2.90	2.10	2.10
Part NO.	Wire Range	Insulation O.D.	A	B	C	D	E	F	G

GENERAL TOLERANCE					东莞市思索技术股份有限公司 Dongguan SESO Technology Co.,Ltd.	PART NO. 1602TXM-HY2B					
.X ±0.35						TITLE 1.60mm MQS Male Terminal					
.XX ±0.25						UNIT mm					
.XXX±0.15						SCALE 1:1					
X.' ±2'						SHEET 1/1					
23/08/03	X0	/	Initial release	Joshua Lau	Jack Zhang	APPROVAL	CHECK	DRAWN	DATE	REV X0	NUMBER CD
DATE	REV	ECN NO.	DESCRIPTION	MODIFY	APPROVAL	Jason Huang	Larry Yang	Wangcheng	2023/08/03		

**SMS** 东莞市思索技术股份有限公司  
Dongguan SESO Technology Co.,Ltd.

PROJECT	Jason Huang	Larry Yang	Wangcheng	2023/08/03
UNIT	SCALE	SHEET	REV	NUMBER
mm	1:1	1/1	X0	CD