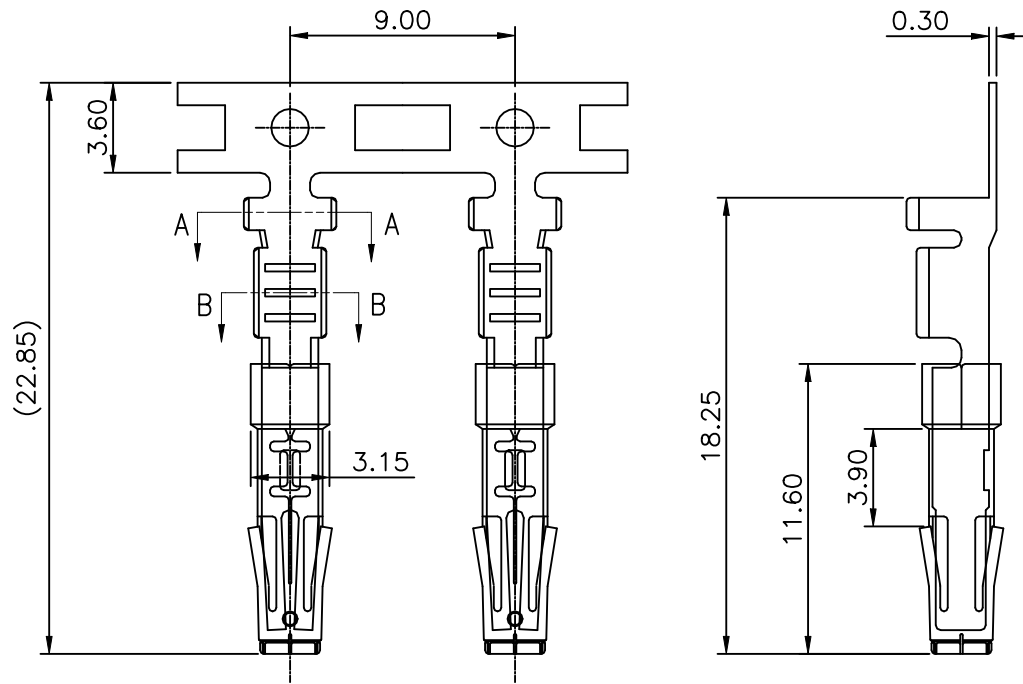


RoHS

This products can apply to the Seso Doc NO. QA-3-04-005 of Environmental&Material Management Rules

RD-1

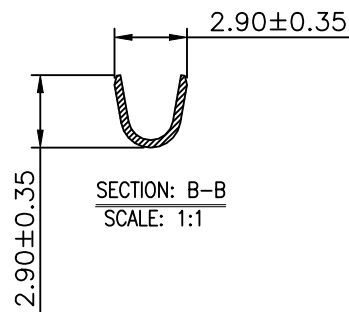
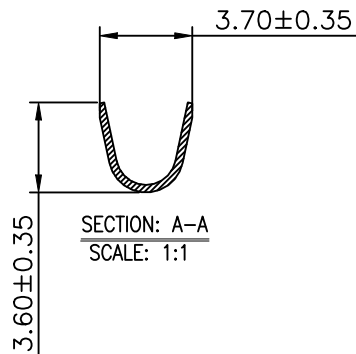


■ Specifications:

- Current Rating: 8A Max. AC/DC
- Temperature Range: -40°C~+125°C
- Contact Resistance: $\leq 10\text{m}\Omega$(Initial)
$\leq 20\text{m}\Omega$(After Testing)
- Packaging Drawing: PK-1601TXM
- Product Specification: PS-1601-01
- Symbols for SPC Dimensions: "★"
- Wire Range : 0.50~0.75mm²

1601 T X F- P XXX
 ① ② ③ ④ ⑤ ⑥

- ① Series No.
- ② Category:T-terminal
- ③ Shape:Blank-Common Feet ;
H-High Feet ; L-Low Feet
- ④ Connector Type:F-Female terminal
- ⑤ Material: P-Phosphor Bronze
- ⑥ Plating Code: Tin Plated



23/10/24	X1	/	Modity Wire Range	Zhonghua Liu	Larry Yang				
DATE	REV	ECN NO.	DESCRIPTION	MODIFY	APPROVAL				

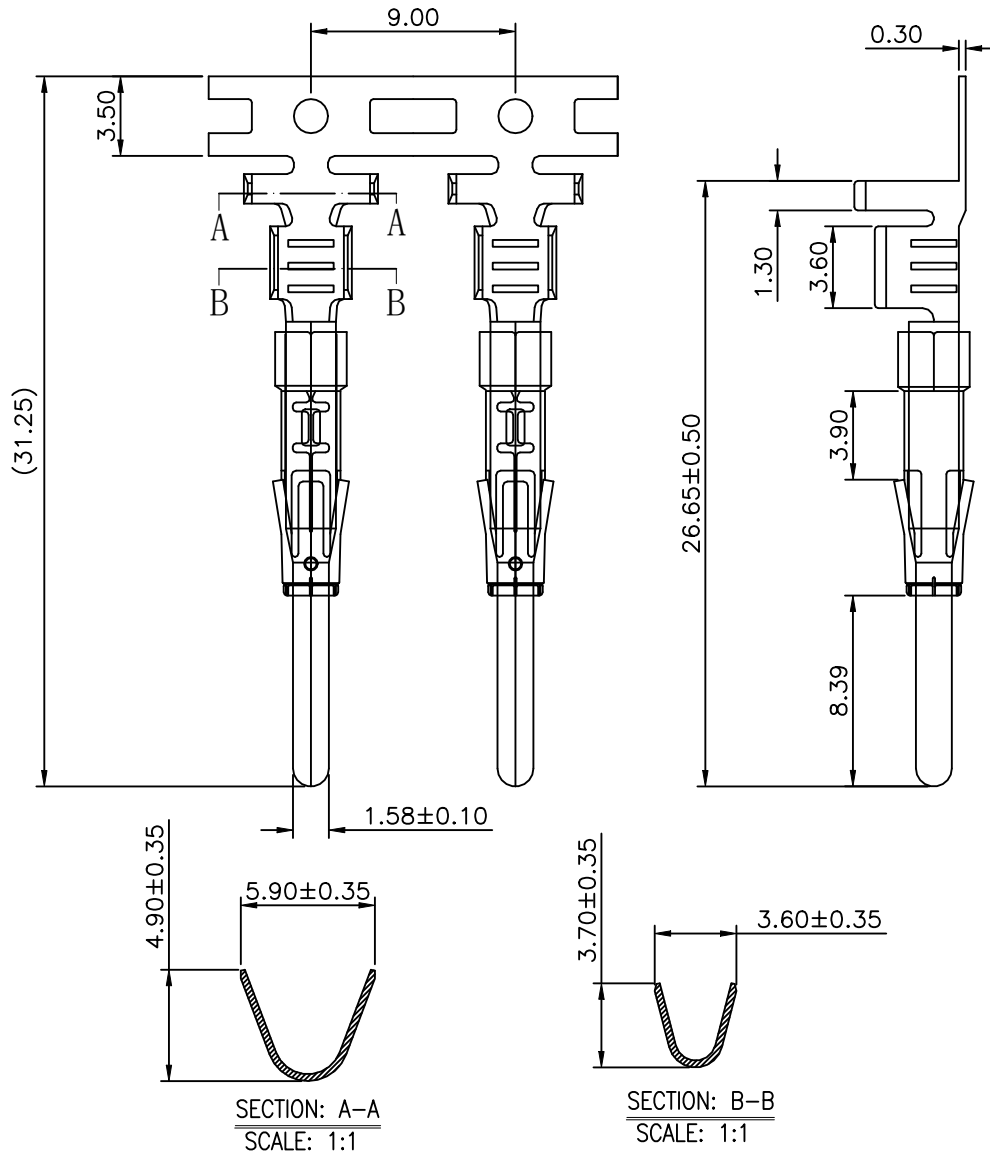
GENERAL TOLERANCE				东莞市思索技术股份有限公司 Dongguan SESO Technology Co.,Ltd.	APPROVAL Jason Huang	CHECK Hong Zou	DRAWN Zhonghua Liu	DATE 2023/02/13
.X	±0.35							
.XX	±0.25							
.XXX	±0.15							
X.°	±2°							
PROJECT								

PART NO. 1601TXF-PXX				
TITLE 1.60mm Round Female Terminal				
UNIT	SCALE	SHEET	REV	NUMBER
mm	1:1	1/1	X1	CD

RoHS

This products can apply to the Seso Doc NO. QA-3-04-005 of Environmental&Material Management Rules

RD-1



■ Specifications:

- Current Rating: 8A Max. AC/DC
- Temperature Range: -40°C~+125°C
- Contact Resistance: $\leq 10m\Omega$(Initial)
$\leq 20m\Omega$(After Testing)
- Packaging Drawing: PK-1601TXF
- Product Specification: PS-1601-01
- Symbols for SPC Dimensions: "★"
- Wire Range : 1.5~2.0mm² (FLR)
Insulation O.D.: 2.1~3.00mm

1601 T X M- P XXX
① ② ③ ④ ⑤ ⑥

- ① Series No.
- ② Category:T-terminal
- ③ Shape: Blank-Common Feet ;
H-High Feet ; L-Low Feet
- ④ Connector Type:M-Male terminal
- ⑤ Material: P-Phosphor Bronze
- ⑥ Plating Code: Tin Plated



					GENERAL TOLERANCE				PART NO. 1601TXM-PXX									
					.X ±0.35				TITLE 1.60mm Round Male Terminal									
					.XX ±0.25													
					.XXX ±0.15				APPROVAL		CHECK		DRAWN		DATE			
					X.° ±2°				Jason Huang		Hong Zou		Zhonghua Liu		2023/02/13			
					PROJECT				UNIT		SCALE		SHEET		REV		NUMBER	
					mm				1:1		1/1		X1		CD			

SMS 东莞市思索技术股份有限公司
Dongguan SESO Technology Co.,Ltd.

23/10/24	X1	/	Modity Wire Range	Zhonghua Liu	Larry Yang
DATE	REV	ECN NO.	DESCRIPTION	MODIFY	APPROVAL