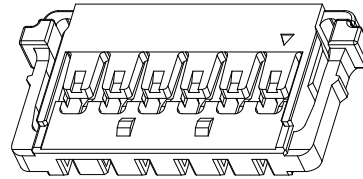
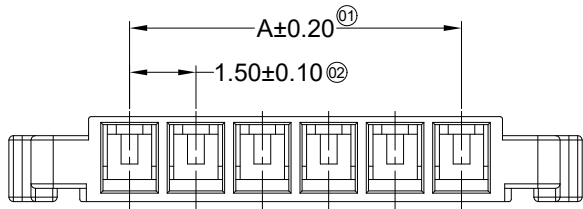


RoHS

This products can apply to the SESO Doc NO. QA-3-04-005 of Environmental&Material Management Rules



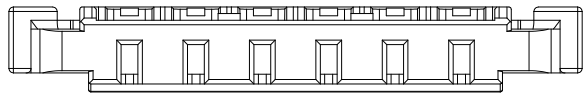
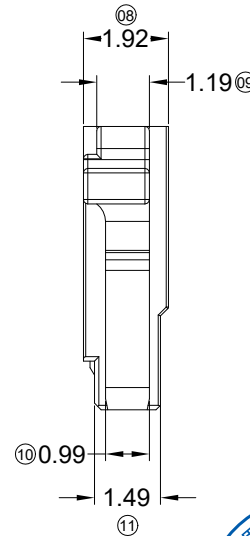
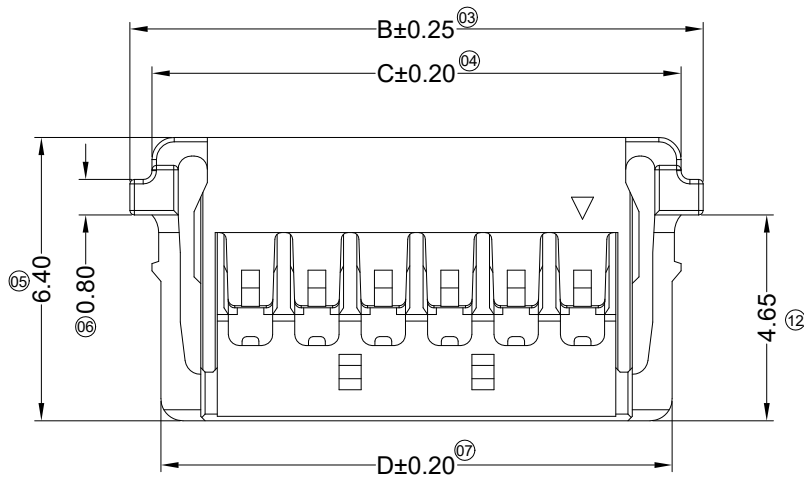
■ Specifications :

- Voltage rating: 150V AC / DC
- Current rating: 3A AC / DC
- Withstanding voltage: 500V AC/minute
- Temperature range: -25°C~+85°C
- Insulation resistance: ≥1000MΩ
- Contact resistance: ≤20mΩ
- After environmental testing: ≤40mΩ
- Suitable SESO Terminal: 1503T
- Mates With SESO Wafer: 1503WR

1503 H -XX X -N0 XX -XX

① ② ③ ④ ⑤ ⑥ ⑦

- ① Series No.
- ② Category: H-HSG
- ③ Row No.-Pin No.: XX-04~12P
- ④ Plug the Pin & special No.
- ⑤ Material: N0-PA66 94V-0
- ⑥ Material Attribute: HF-halogen-free
- ⑦ Color: Blank-Black color; WH-White



Poles	Dimensions(mm)			
	A	B	C	D
02		6.95	5.95	5.55
03	3.00	8.45	7.45	7.05
04	4.50	9.95	8.95	8.55
05	6.00	11.45	10.45	10.05
06	7.50	12.95	11.95	11.55
07	9.00	14.45	13.45	13.05
08	10.50	15.95	14.95	14.55
09	12.00	17.45	16.45	16.05
10	13.50	18.95	17.95	17.55
11	15.00	20.45	19.45	19.05
12	16.50	21.95	20.95	20.55



DATE	REV	ECN NO	DESCRIPTION	MODIFY	APPROVAL	PROJECT	APPROVAL	CHECK	DRAWN	DATE	UNIT	SCALE	SHEET	REV	NUMBER	
2020/12/02	C		Add halogen-free specification	Xue	Robing	GENERAL TOLERANCE	<b>东莞市思索技术股份有限公司</b> Dongguan SESO Technology Co.,Ltd.	APPROVAL	CHECK	DRAWN	DATE	mm	1:1	1/1	C	A-000
2020/07/07	B		Update Drawing Frame	Roy.Hu	.X ±0.30											
					.XX ±0.20											
					.XXX ±0.10											
						X° ±2°										
						PROJECT	Smark	Joshua	Jason	2015/05/26						

PART NO. 1503H-XX-N0XX

TITLE 1.50 mm Crimp Style Connectors

RoHS

This products can apply to the SESO Doc NO. QA-3-04-005 of Environmental&Material Management Rules

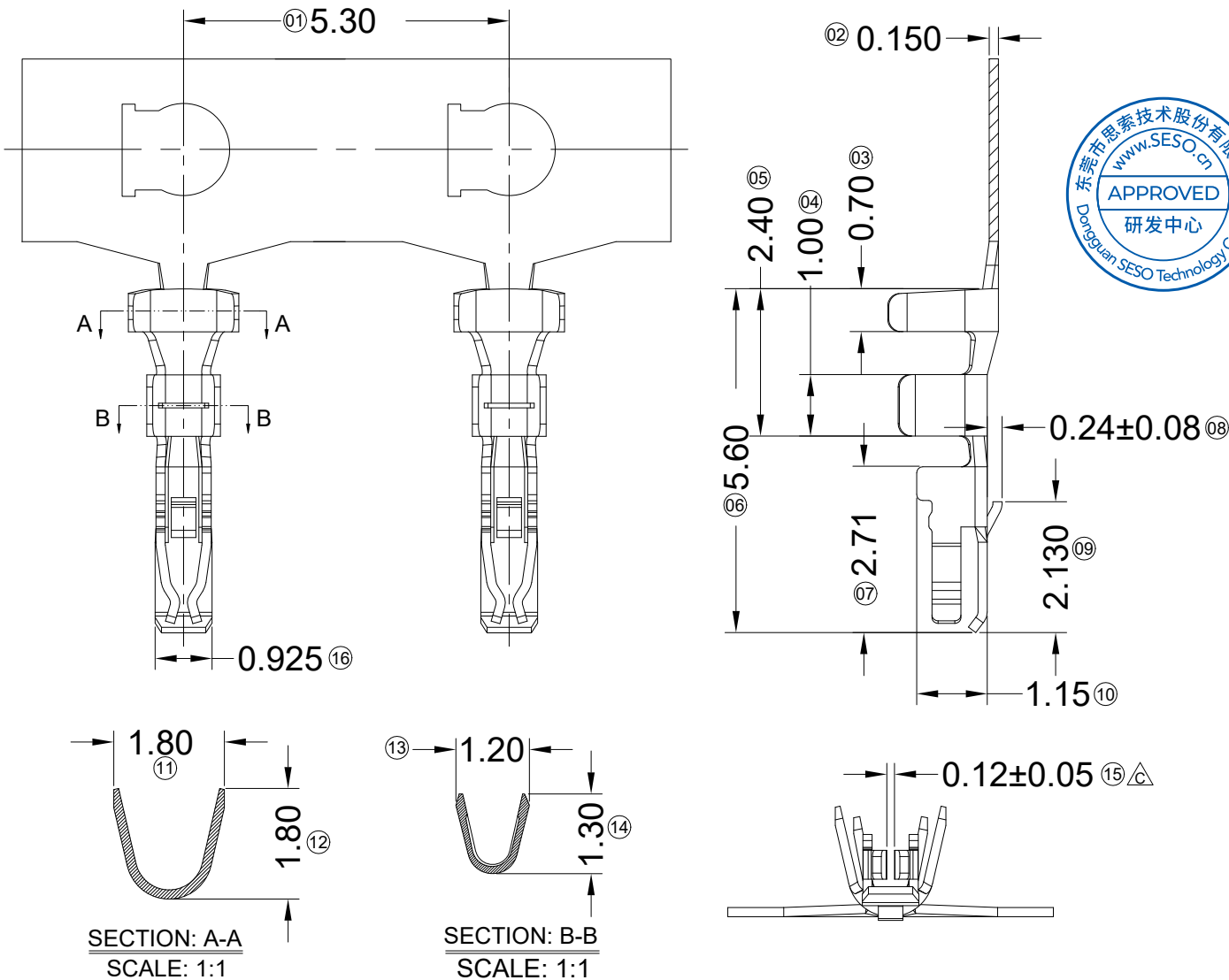


■ Specifications :

- Voltage rating: 150V AC / DC
- Current rating: 3A AC / DC
- Withstanding voltage: 500V AC/minute
- Temperature range: -25°C~+85°C
- Insulation resistance: ≥1000MΩ
- Contact resistance: ≤20mΩ
- After environmental testing: ≤40mΩ
- Wire Range: AWG#24-28
- Insulation O.D.: 1.10mm(Max)
- Used In SESO Housing: 1503H

1503 T X-P XXX X-X  
① ② ③ ④ ⑤ ⑥ ⑦

- ① Series Number
- ② Category: T-terminal
- ③ Shape: Blank-ordinary
- ④ Material: P-Phosphor bronze
- ⑤ Plating Code:  
V01-Gold Flash  
SN-Bright tin plating ;
- ⑥ Plating method:  
Blank-Stamping before plating
- ⑦ Mold No./Mark/Special No.



2020/03/26	D		Update Drawing Frame	Wzbin	Robing
2016/12/20	C		Add Grip tolerance	sylvia	Jacky
2016/06/22	B		Add Part No.	W.X.T	Jacky
DATE	REV	ECN NO	DESCRIPTION	MODIFY	APPROVAL

GENERAL TOLERANCE	
.X	±0.30
.XX	±0.20
.XXX	±0.10
X.°	±2°
PROJECT	

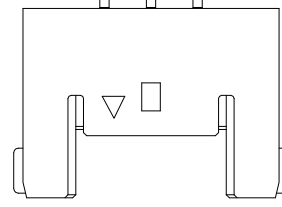
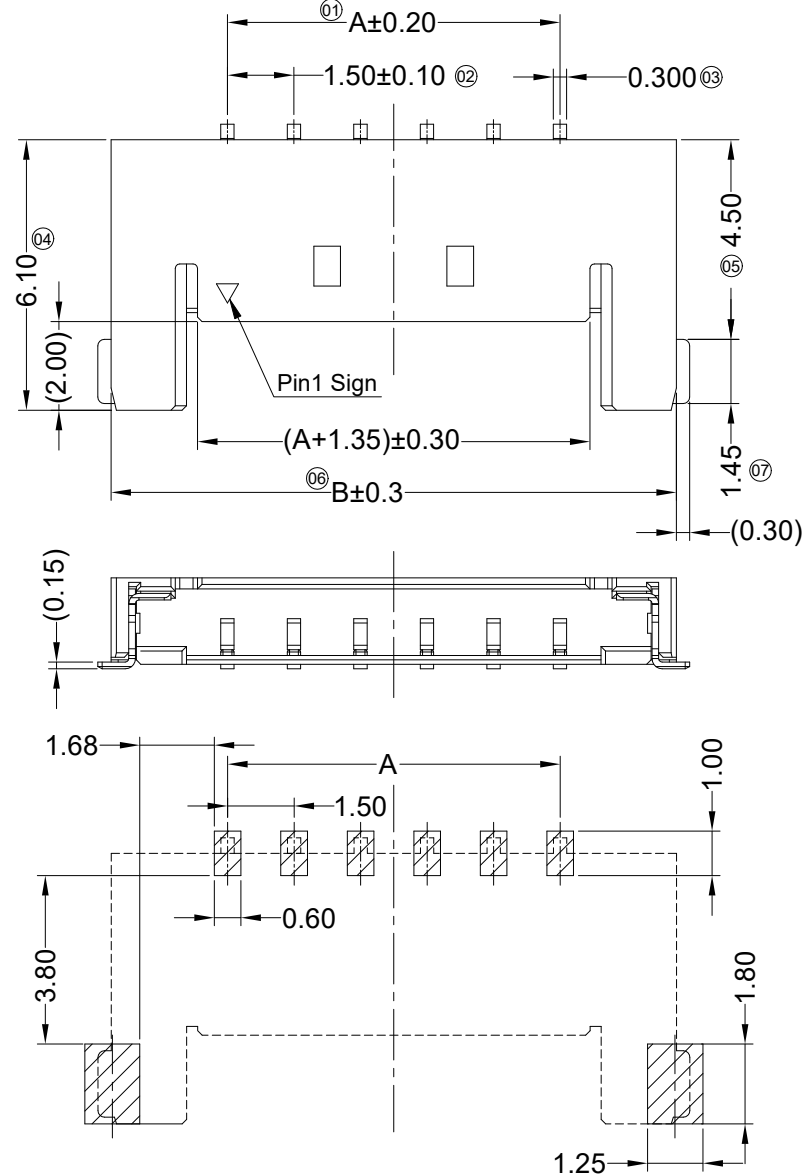
**SMS** 东莞市思索技术股份有限公司  
Dongguan SESO Technology Co.,Ltd.

APPROVAL	CHECK	DRAWN	DATE
Smark	Joshua	sylvia	2015/05/26

PART NO.				
1503T-PXXX				
TITLE				
1.50mm Crimp Style Connectors				
UNIT	SCALE	SHEET	REV	NUMBER
mm	1:1	1/1	D	A-159

RoHS

This products can apply to the SESO Doc NO. QA-3-04-005 of Environmental&Material Management Rules

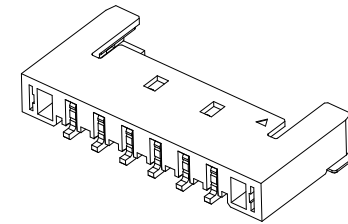
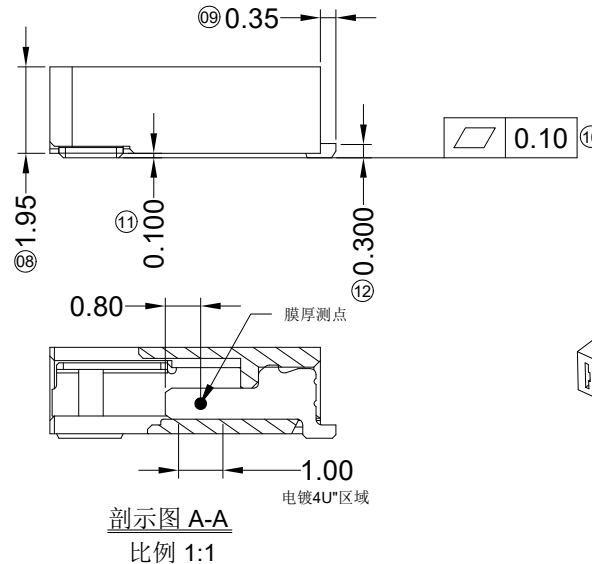


Specifications :

- Voltage rating: 150V AC / DC
- Current rating: 3A AC / DC
- Withstanding voltage: 500V AC/minute
- Temperature range: -25°C~+85°C
- Insulation resistance:  $\geq 1000M\Omega$
- Contact resistance:  $\leq 20m\Omega$
- After environmental testing:  $\leq 40m\Omega$

1503 W R S-XX XX-4T V04 BK  
① ② ③ ④ ⑤ ⑥ ⑦ ⑧ ⑨

- ① Series No.
- ② Category: W-wafer
- ③ Welding Board Angle: R- Right Angle 90°
- ④ Welding Way: S-SMT
- ⑤ Row No.-Pin No.: XX-02P~12P
- ⑥ Plug the Pin & Special No.
- ⑦ Material: 4T-PA4T 94V-0;
- ⑧ Planting Category: V01-Gold Flash  
V04-Gold Flash,Contact point 4U"
- ⑨ Color: Bk-Black



Poles	Dimensions(mm)	
	A	B
02	1.50	6.75
03	3.00	8.25
04	4.50	9.75
05	6.00	11.25
06	7.50	12.75
07	9.00	14.25
08	10.50	15.75
09	12.00	17.25
10	13.50	18.75
11	15.00	20.25
12	16.50	21.75

1503WRS-XX-4TV01BK	PA4T UL 94V-0	Brass	Gold-FlashContact point 4U"	Brass	Plating Tin	1503H
PART NO	Material	Material(Pin)	Finish(Pin)	Material (Solder Tabs)	Finish (Solder Tabs)	Mates With SESO Housing

DATE	REV	ECN NO	DESCRIPTION	MODIFY	APPROVAL
2020/07/13	C		Update Drawing Frame & ⑪	Roy.Hu	Robing
2020/03/26	B	EN20200414001	Update Drawing Frame	Wzbin	Robing

GENERAL TOLERANCE  
 .X  $\pm 0.30$   
 .XX  $\pm 0.20$   
 .XXX  $\pm 0.10$   
 X°  $\pm 2^\circ$

PROJECT

**SMS** 东莞市思索技术股份有限公司  
 Dongguan SESO Technology Co.,Ltd.

APPROVAL CHECK DRAWN DATE  
 Smark Joshua Jason 2017/06/07

PART NO. 1503WRS-XX-4TVXXBK				
TITLE 1.50 mm Crimp Style Connectors				
UNIT	SCALE	SHEET	REV	NUMBER
mm	1:1	1/1	C	A-159