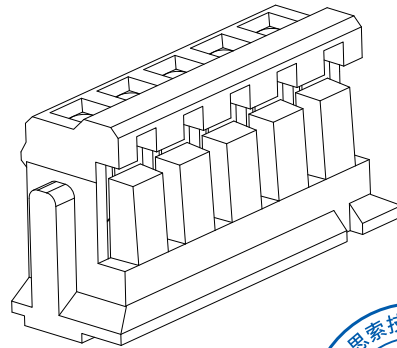
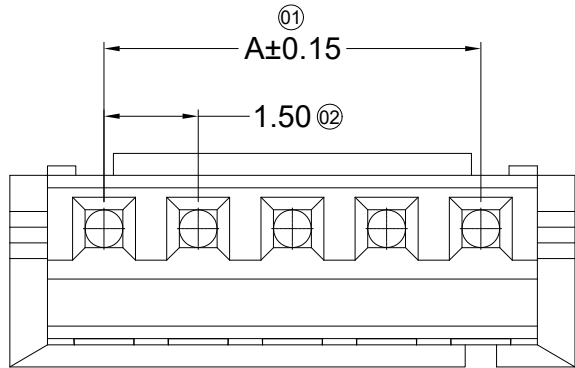


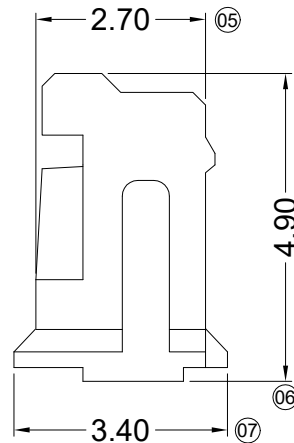
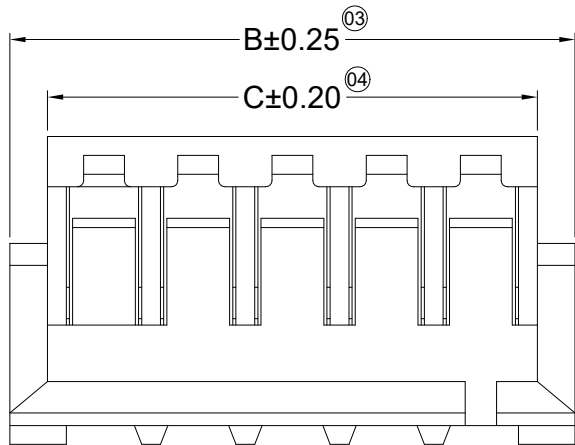
RoHS

This products can apply to the SESO Doc NO. QA-3-04-005 of Environmental&Material Management Rules



■ Specifications :

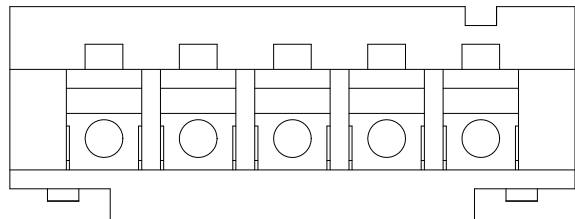
- Voltage rating: 50V AC / DC
- Current rating: 1A AC / DC
- Withstanding voltage: 500V AC/minute
- Temperature range: -25°C~+85°C
- Insulation resistance: ≥500MΩ
- Contact resistance: ≤20mΩ
- After environmental testing: ≤30mΩ
- Suitable SESO Terminal: 1502T
- Mates With SESO Wafer: 1502W



1502 H X - XX B - N0 XX - 07

① ② ③ ④ ⑤ ⑥ ⑦ ⑧

- ① Series No.
- ② Category: H-HSG
- ③ Welding Board Angle: Blank-ordinary
- ④ Row No.-Pin No.: XX-02P~15P
- ⑤ Plug the Pin & special No.:
Blank-ordinary B-Special Package
- ⑥ Material: N0-PA66 94V-0
- ⑦ Color: Blank-natural color



Poles	Dimensions(mm)			Poles	Dimensions(mm)		
	A	B	C		A	B	C
02	1.50	4.50	3.30	09	12.00	15.00	13.80
03	3.00	6.00	4.80	10	13.50	16.50	15.30
04	4.50	7.50	6.30	11	15.00	18.00	16.80
05	6.00	9.00	7.80	12	16.50	19.50	18.30
06	7.50	10.50	9.30	13	18.00	21.00	19.80
07	9.00	12.00	10.80	14	19.50	22.50	21.30
08	10.50	13.50	12.30	15	21.00	24.00	22.80

DATE	REV	ECN NO.	DESCRIPTION	MODIFY	APPROVAL
20200623	B	ER20200708001	Update Drawing Frame	/	Robing

GENERAL TOLERANCE	
.X	±0.30
.XX	±0.20
.XXX	±0.10
X.°	±2°
PROJECT	
⊕	⊖

SMS 东莞市思索技术股份有限公司
Dongguan SESO Technology Co.,Ltd.

APPROVAL	CHECK	DRAWN	DATE
Robing	/	Mandy	20190401

PART NO.				
1502H-XXB-N0-07				
TITLE				
1.50mm Crimp Style Connectors				
UNIT	SCALE	SHEET	REV	NUMBER
mm	1:1	1/1	B	A-007

1 | 2 | 3 | 4 | 5 | 6 | 7 | 8

RoHS

This products can apply to the SESO Doc NO. QA-3-04-005 of Environmental&Material Management Rules

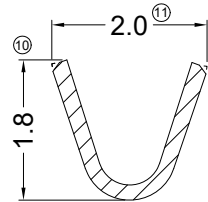
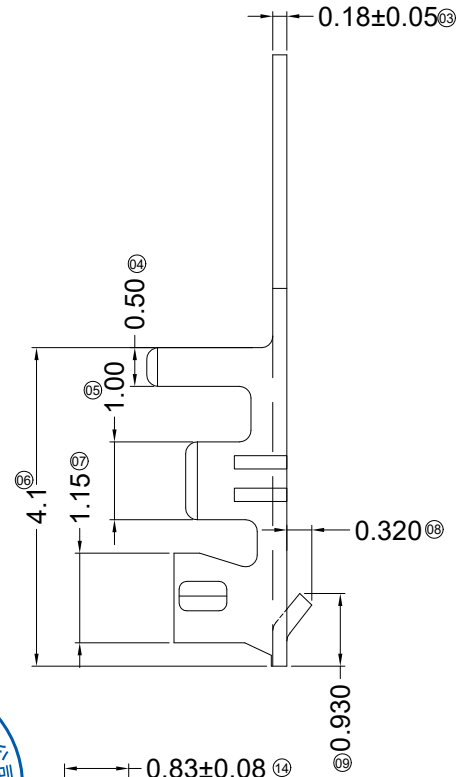
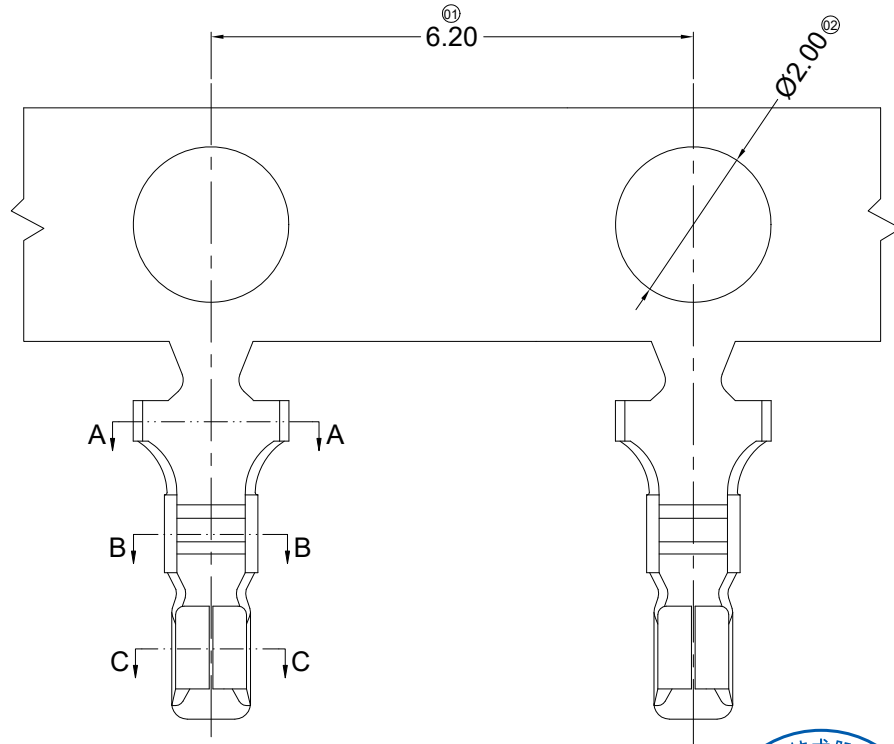
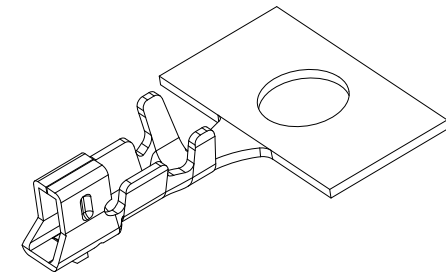
■ Specifications :

- Voltage rating: 50V AC / DC
- Current rating: 1A AC / DC
- Withstanding voltage: 500V AC/minute
- Temperature range: -25°C~+85°C
- Insulation resistance: ≥500MΩ
- Contact resistance: ≤20mΩ
- After environmental testing: ≤30mΩ
- Wire Range: AWG#26-32
- Insulation O.D.: 1.20mm(Max)
- Used In SESO Housing: 1502H-07

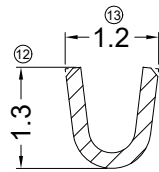
1502 T X-P SN X - X-07

① ② ③ ④ ⑤ ⑥ ⑦ ⑧

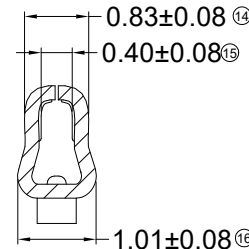
- ① Series Number
- ② Category: T-Terminal
- ③ Shape: Blank-ordinary
- ④ Material: P-Phosphor bronze
- ⑤ Plating style: SN-Bright tin plating
- ⑥ Plating method: Blank-Stamping before plating
- ⑦ Mold No./Mark/Special No.
- ⑧ Special No.:



SECTION: A-A
SCALE: 1:1



SECTION: B-B
SCALE: 1:1



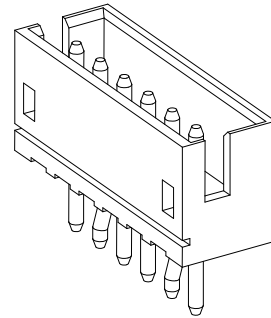
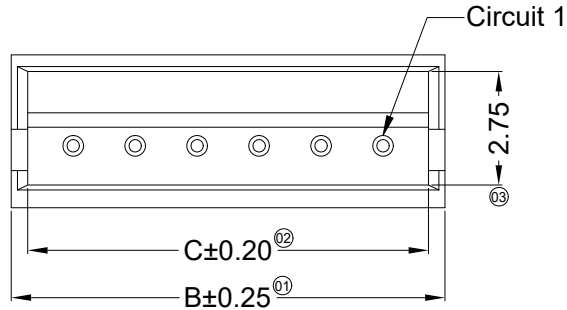
SECTION: C-C
SCALE: 1:1

2020/07/08	D		Update Drawing Frame	Roy.Hu	ROBING	SMS 东莞市思索技术股份有限公司 Dongguan SESO Technology Co.,Ltd.	PART NO. 1502T-PSN-07							
2019/06/24	C	ER20190624001	Optimize product, update drawing.	HAILI.WANG	ROBING		TITLE 1.50mm Crimp Style Connectors							
2019/06/06	B	ER20190606002	Optimize product, update drawing.	HAILI.WANG	ROBING		APPROVAL	CHECK	DRAWN	DATE	UNIT SCALE SHEET REV NUMBER			
DATE	REV	ECN NO	DESCRIPTION	MODIFY	APPROVAL		Robing	Haili.Wang	Oneh	2017/12/27	mm	1:1	1/1	D

GENERAL TOLERANCE	
.X	±0.30
.XX	±0.20
.XXX	±0.08
X°	±2°
PROJECT	

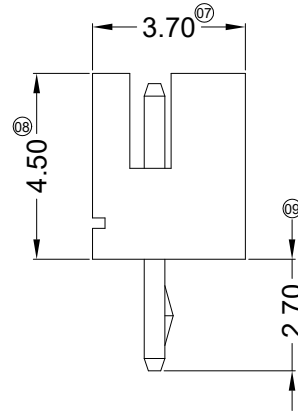
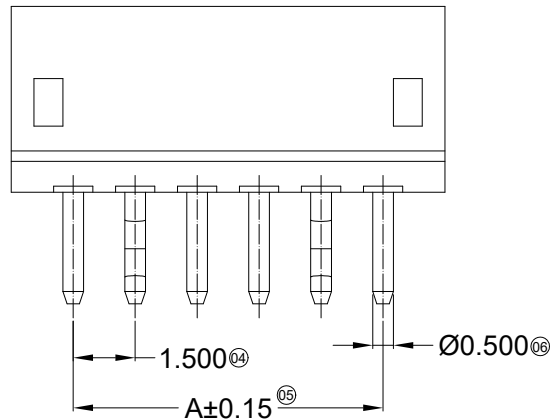
RoHS

This products can apply to the SESO Doc NO. QA-3-04-005 of Environmental&Material Management Rules



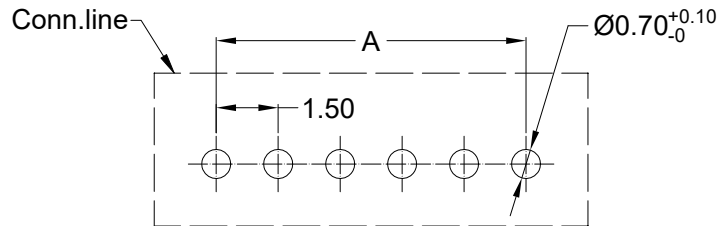
■ Specifications :

- Voltage rating: 50V AC / DC
- Current rating: 1A AC / DC
- Withstanding voltage: 500V AC/minute
- Temperature range: -25°C~+85°C
- Insulation resistance: ≥500MΩ
- Contact resistance: ≤20mΩ
- After environmental testing: ≤30mΩ



1502 W V X-XX K-N0 SN XX
① ② ③ ④ ⑤ ⑥ ⑦ ⑧ ⑨

- ① Series No.
- ② Category: W-wafer
- ③ Welding Board Angle: V- Straight 180°
- ④ Welding Way: Blank-DIP
- ⑤ Row No.-Pin No.: XX-02P~12P
- ⑥ Plug the Pin & Special No.: K- Kink
- ⑦ Material: N0-PA66 94V-0
- ⑧ Planting Category: SN-Bright tin plating
- ⑨ Color: Blank-Natural Color



Recommended P.C.B Layout
General Tolerance±0.05



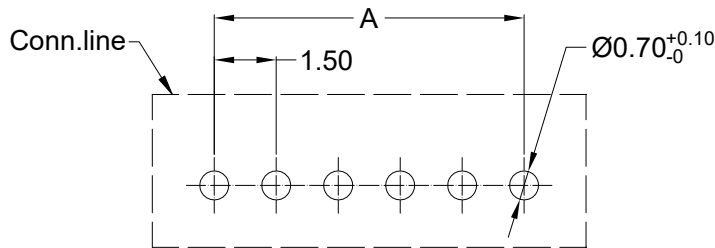
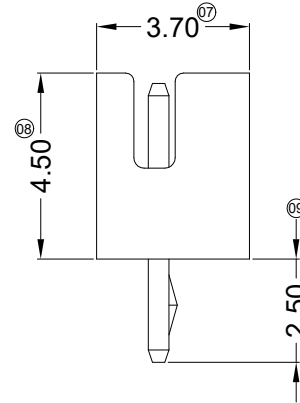
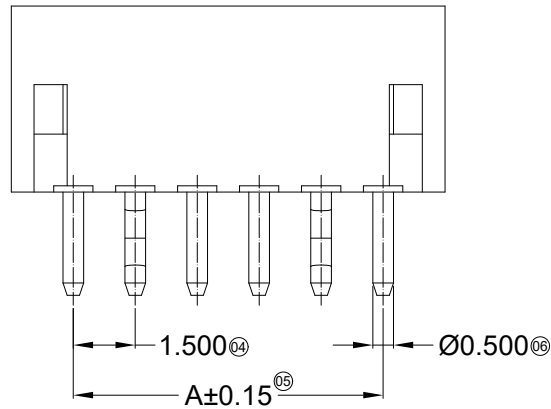
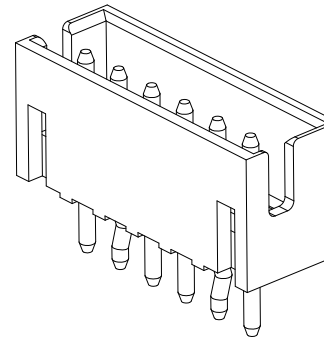
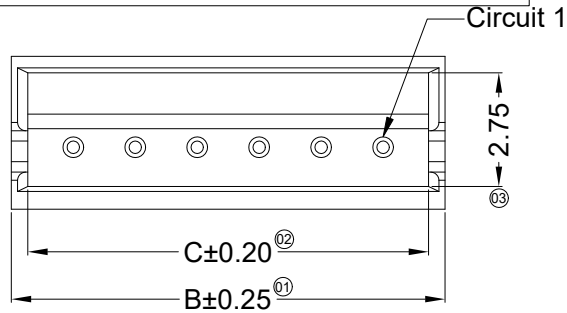
Poles	Dimensions(mm)			Poles	Dimensions(mm)		
	A	B	C		A	B	C
02	1.50	4.50	3.70	09	12.00	15.00	14.20
03	3.00	6.00	5.20	10	13.50	16.50	15.70
04	4.50	7.50	6.70	11	15.00	18.00	17.20
05	6.00	9.00	8.20	12	16.50	19.50	18.70
06	7.50	10.50	9.70	13	18.00	21.00	20.20
07	9.00	12.00	11.20	14	19.50	22.50	21.70
08	10.50	13.50	12.70	15	21.00	24.00	23.20

1502WV-XXX-N0SN	Nylon 66 UL 94V-0	Brass	Tin-Plated	1502H
PART NO	Material	Material(Pin)	Finish(Pin)	Mates With SESO Housing

DATE	REV	ECN NO	DESCRIPTION	MODIFY	APPROVAL	PROJECT	APPROVAL	CHECK	DRAWN	DATE	PART NO.	TITLE			
2020/07/08	C		Update Drawing Frame	Roy.Hu	Robing	GENERAL TOLERANCE	东莞市思索技术股份有限公司 Dongguan SESO Technology Co.,Ltd.	APPROVAL	Wuxiaotao	2014/06/30	1502WV-XXX-N0SN	1.50mm Crimp Style Connectors			
2014/06/30	B		Space of a Whole page Changes	Jova	Jova Lau	.X ±0.30									
						.XX ±0.20									
						.XXX ±0.10									
						X.° ±2°									
						PROJECT									
						UNIT	mm	SCALE	1:1	SHEET	1/1	REV	C	NUMBER	A-010

RoHS

This products can apply to the SESO Doc NO. QA-3-04-005 of Environmental&Material Management Rules



Recommended P.C.B Layout
General Tolerance±0.05



■ Specifications :

- Voltage rating: 50V AC / DC
- Current rating: 1A AC / DC
- Withstanding voltage: 500V AC/minute
- Temperature range: -25°C~+85°C
- Insulation resistance: ≥500MΩ
- Contact resistance: ≤20mΩ
- After environmental testing: ≤30mΩ

1502 W V X-XX K1-N0 SN XX

① ② ③ ④ ⑤ ⑥ ⑦ ⑧ ⑨

- ① Series No.
- ② Category: W-wafer
- ③ Welding Board Angle: V- Straight 180°
- ④ Welding Way: Blank-DIP
- ⑤ Row No.-Pin No.: XX-02P~12P
- ⑥ Plug the Pin & Special No.: K1- Kink Slotless
- ⑦ Material: N0-PA66 94V-0
- ⑧ Planting Category: SN-Bright tin plating
- ⑨ Color: Blank-Natural Color

Poles	Dimensions(mm)			Poles	Dimensions(mm)		
	A	B	C		A	B	C
02	1.50	4.50	3.70	09	12.00	15.00	14.20
03	3.00	6.00	5.20	10	13.50	16.50	15.70
04	4.50	7.50	6.70	11	15.00	18.00	17.20
05	6.00	9.00	8.20	12	16.50	19.50	18.70
06	7.50	10.50	9.70	13	18.00	21.00	20.20
07	9.00	12.00	11.20	14	19.50	22.50	21.70
08	10.50	13.50	12.70	15	21.00	24.00	23.20

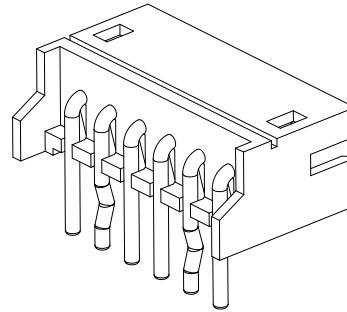
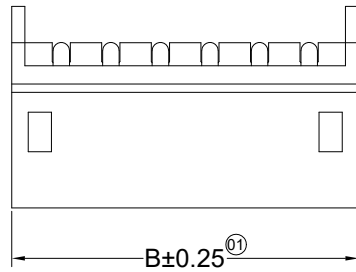
1502WV-XXK1-N0SN	Nylon 66 UL 94V-0	Brass	Tin-Plated	1502H
PART NO	Material	Material(Pin)	Finish(Pin)	Mates With SESO Housing

					GENERAL TOLERANCE				PART NO. 1502WV-XXK1-N0SN				
					.X ±0.30				APPROVAL				
					.XX ±0.20								
					.XXX ±0.10				CHECK				
					X° ±2°				DRAWN				
					PROJECT				DATE				
2020/07/08	B		Update Drawing Frame	Jova	Jova Lau	Kim Huang				Jova Lau			
DATE	REV	ECN NO	DESCRIPTION	MODIFY	APPROVAL	Wuxiaotao				2014/06/30			
					UNIT				TITLE 1.50mm Crimp Style Connectors				
					mm				SCALE SHEET REV NUMBER				
					1:1 1/1 B				A-010				

SMS 东莞市思索技术股份有限公司
Dongguan SESO Technology Co.,Ltd.

RoHS

This products can apply to the SESO Doc NO. QA-3-04-005 of Environmental&Material Management Rules



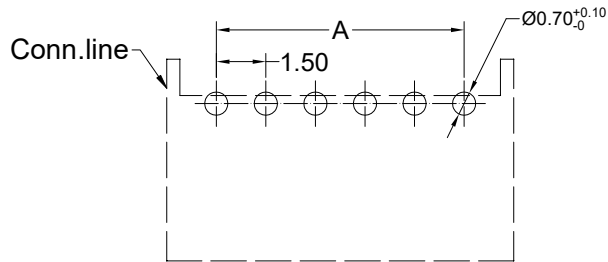
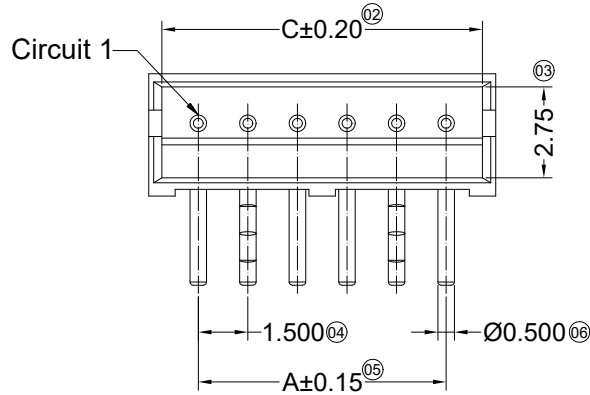
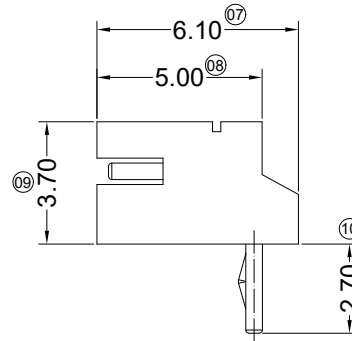
■ Specifications :

- Voltage rating: 50V AC / DC
- Current rating: 1A AC / DC
- Withstanding voltage: 500V AC/minute
- Temperature range: -25°C~+85°C
- Insulation resistance: ≥500MΩ
- Contact resistance: ≤20mΩ
- After environmental testing: ≤30mΩ
- Material(Pin): Brass
- Mates With SESO Housing:1502H

1502 W R X-XX K-N0 SN XX

① ② ③ ④ ⑤ ⑥ ⑦ ⑧ ⑨

- ① Series No.
- ② Category: W-wafer
- ③ Welding Board Angle: R- Right Angle 90°
- ④ Welding Way: Blank-DIP
- ⑤ Row No.-Pin No.: XX-02P~15P
- ⑥ Special No.: K-Kink
- ⑦ Material: N0-PA66 94V-0
- ⑧ Planting Category: SN-Bright tin plating
- ⑨ Color: Blank-Natural Color



Recommended P.C.B Layout
General Tolerance±0.05

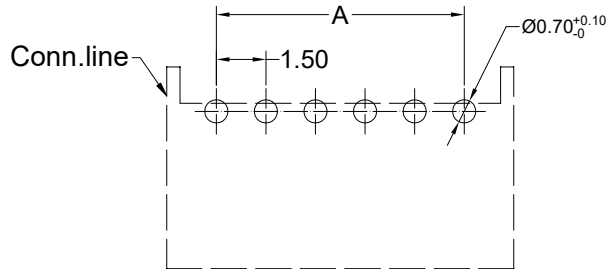
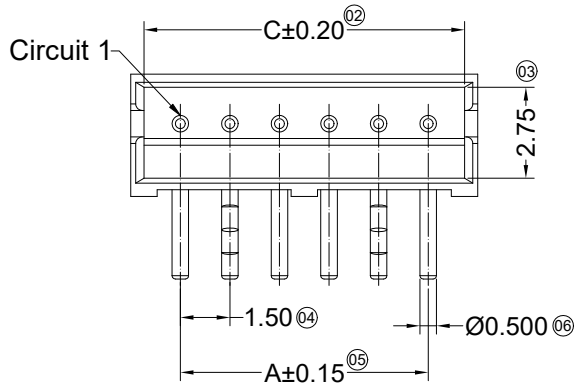
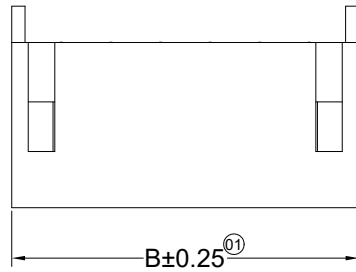


Poles	Dimensions(mm)			Poles	Dimensions(mm)		
	A	B	C		A	B	C
02	1.50	4.50	3.70	09	12.00	15.00	14.20
03	3.00	6.00	5.20	10	13.50	16.50	15.70
04	4.50	7.50	6.70	11	15.00	18.00	17.20
05	6.00	9.00	8.20	12	16.50	19.50	18.70
06	7.50	10.50	9.70	13	18.00	21.00	20.20
07	9.00	12.00	11.20	14	19.50	22.50	21.70
08	10.50	13.50	12.70	15	21.00	24.00	23.20

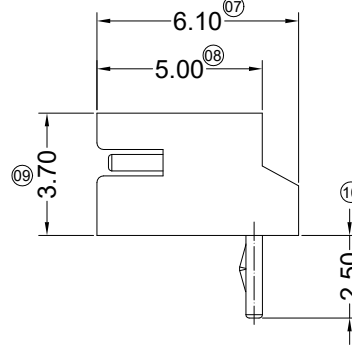
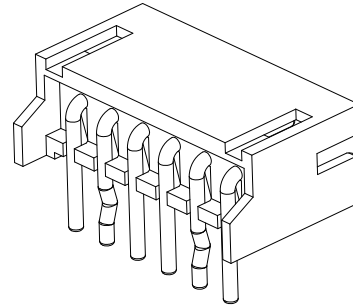
2020/07/08	F		Update Drawing Frame	Roy.Hu	Robing	东莞市思索技术股份有限公司 Dongguan SESO Technology Co.,Ltd.				PART NO. 1502WR-XXK-N0SN								
2015/04/21	E		Modify drawing frame format	jian.He						TITLE 1.50mm Crimp Style Connectors								
2014/06/25	D		Space of a Whole page Changes	W.X.T	Jova Lau					APPROVAL	CHECK	DRAWN	DATE	UNIT	SCALE	SHEET	REV	NUMBER
DATE	REV	ECN NO	DESCRIPTION	MODIFY	APPROVAL					Jova Lau	W.X.T	Wuxiaotao	2014/05/28	mm	1:1	1/1	F	A-010

RoHS

This products can apply to the SESO Doc NO. QA-3-04-005 of Environmental&Material Management Rules



Recommended P.C.B Layout
General Tolerance±0.05



■ Specifications :

- Voltage rating: 50V AC / DC
- Current rating: 1A AC / DC
- Withstanding voltage: 500V AC/minute
- Temperature range: -25°C~+85°C
- Insulation resistance: ≥500MΩ
- Contact resistance: ≤20mΩ
- After environmental testing: ≤30mΩ
- Material(Pin): Brass
- Mates With SESO Housing: 1502H

1502 W R X-XX K1-N0 SN XX

① ② ③ ④ ⑤ ⑥ ⑦ ⑧ ⑨

- ① Series No.
- ② Category: W-wafer
- ③ Welding Board Angle: R- Right Angle 90°
- ④ Welding Way: Blank-DIP
- ⑤ Row No.-Pin No.: XX-02P~15P
- ⑥ Special No.: K1-Kink Slotless
- ⑦ Material: N0-PA66 94V-0
- ⑧ Planting Category: SN-Bright tin plating
- ⑨ Color: Blank-Natural Color

Poles	Dimensions(mm)			Poles	Dimensions(mm)		
	A	B	C		A	B	C
02	1.50	4.50	3.70	09	12.00	15.00	14.20
03	3.00	6.00	5.20	10	13.50	16.50	15.70
04	4.50	7.50	6.70	11	15.00	18.00	17.20
05	6.00	9.00	8.20	12	16.50	19.50	18.70
06	7.50	10.50	9.70	13	18.00	21.00	20.20
07	9.00	12.00	11.20	14	19.50	22.50	21.70
08	10.50	13.50	12.70	15	21.00	24.00	23.20

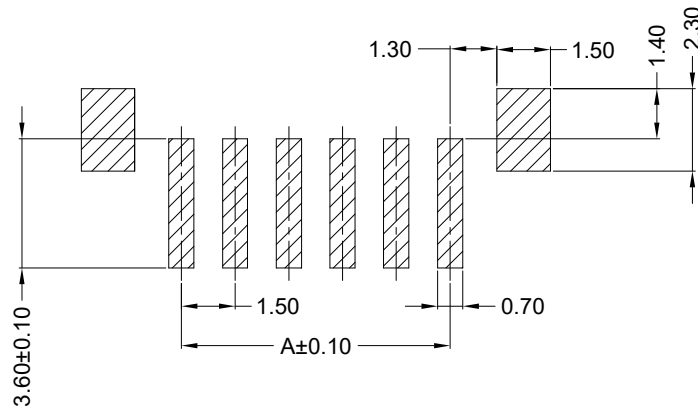
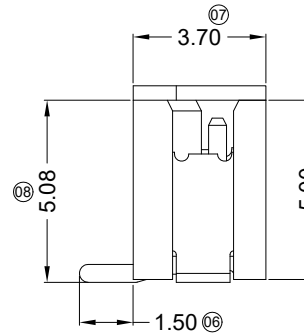
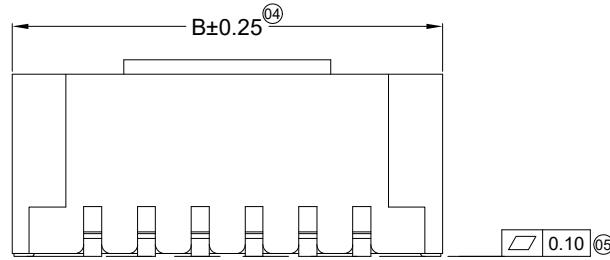
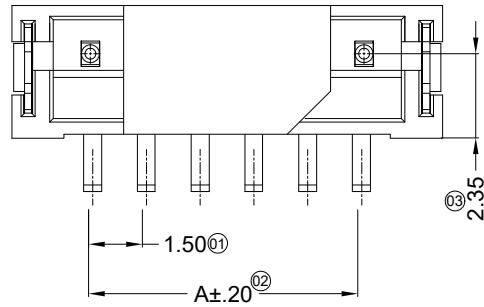
DATE	REV	ECN NO	DESCRIPTION	MODIFY	APPROVAL	PROJECT	APPROVAL	CHECK	DRAWN	DATE	UNIT	SCALE	SHEET	REV	NUMBER	
2020/07/08	C		Update Drawing Frame	Roy.Hu	Robing	GENERAL TOLERANCE	东莞市思索技术股份有限公司 Dongguan SESO Technology Co.,Ltd.	APPROVAL	CHECK	DRAWN	DATE	mm	1:1	1/1	C	A-010
2015/04/21	B		Modify drawing frame format	jian.He	.X ±0.30											
					.XX ±0.20											
					.XXX ±0.10											
						X° ±2°										
						PROJECT	Bob Sun	Jova Lau	Wuxiaotao	2014/05/28						

PART NO.
1502WR-XXK1-N0SN

TITLE
1.50mm Crimp Style Connectors

RoHS

This products can apply to the SESO Doc NO. QA-3-04-005 of Environmental&Material Management Rules



Recommended P.C.B Layout
General Tolerance±0.05

Specifications :

- Voltage rating: 50V AC / DC
- Current rating: 1A AC / DC
- Withstanding voltage: 500V AC/minute
- Temperature range: -25°C~+85°C
- Insulation resistance:≥500MΩ
- Contact resistance: ≤20mΩ
- After environmental testing: ≤30mΩ
- Material(Pin and Solder Tabs):Brass
- Finish(Solder Tabs):Matte tin plating
- Mates With SESO Housing:1502H

1502 W V S-XX X-9T SW XX-XX

① ② ③ ④ ⑤ ⑥ ⑦ ⑧ ⑨ ⑩

- ① Series No.
- ② Category: W-wafer
- ③ Welding Board Angle: V- Straight 180°
- ④ Welding Way: S-SMT
- ⑤ Row No.-Pin No.: XX-02P~15P
- ⑥ Special No.:
- ⑦ Material: 9T- PA9T 94V-0
- ⑧ Planting Category: SW-Matte tin plating
- ⑨ Color: Blank-Natural Color
- ⑩ Pckaging: Blank-Cold seal; RQ-Heat seal

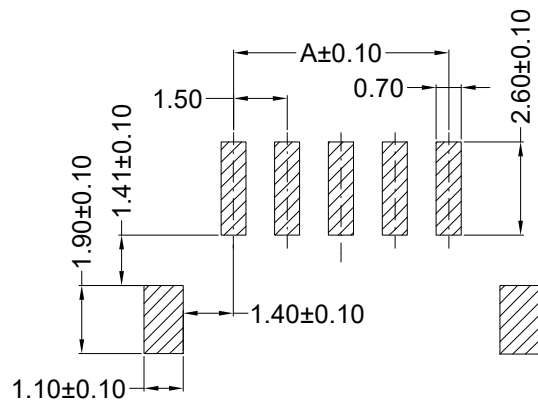
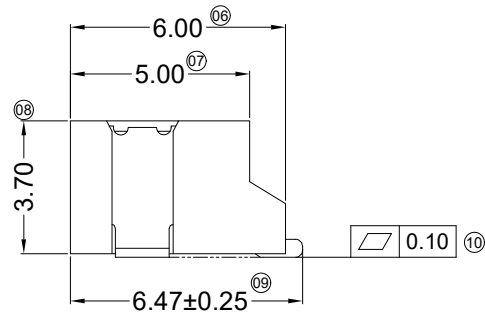
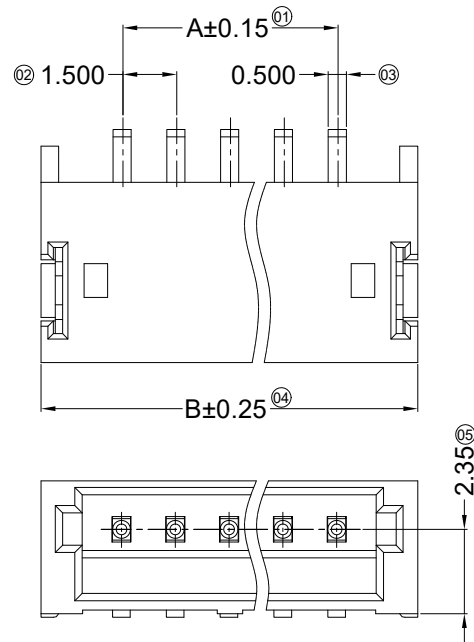


Poles	Dimensions(mm)		Poles	Dimensions(mm)	
	A	B		A	B
02	1.50	6.00	09	12.00	16.50
03	3.00	7.50	10	13.50	18.00
04	4.50	9.00	11	15.00	19.50
05	6.00	10.50	12	16.50	21.00
06	7.50	12.00	13	18.00	22.50
07	9.00	13.50	14	19.50	24.00
08	10.50	15.00	15	21.00	25.50

DATE	REV	ECN NO	DESCRIPTION	MODIFY	APPROVAL	PROJECT	APPROVAL	CHECK	DRAWN	DATE	PART NO.	TITLE								
2020/07/08	B		Update Drawing Frame	Roy.Hu	Robing	GENERAL TOLERANCE	东莞市思索技术股份有限公司 Dongguan SESO Technology Co.,Ltd.	APPROVAL	CHECK	DRAWN	DATE	1502WVS-XX-9TSW-XX	1.50mm Crimp Style Connectors							
					.X ±0.30	UNIT							SCALE	SHEET	REV	NUMBER				
					.XX ±0.20	mm							1:1	1/1	B	A-007				
					.XXX ±0.10															
					X° ±2°															
						PROJECT														
							Smak	Guo	Jason	2018/07/16										

RoHS

This products can apply to the SESO Doc NO. QA-3-04-005 of Environmental&Material Management Rules



Recommended P.C.B Layout
General Tolerance±0.05

Specifications :

- Voltage rating: 50V AC / DC
- Current rating: 1A AC / DC
- Withstanding voltage: 500V AC/minute
- Temperature range: -25°C~+85°C
- Insulation resistance: ≥500MΩ
- Contact resistance: ≤20mΩ
- After environmental testing: ≤30mΩ

- Material(Pin and Solder Tabs):Brass
- Finish(Solder Tabs):Matte tin plating
- Mates With SESO Housing: 1502H

1502 W R S-XX X-XX SW XX-XX
① ② ③ ④ ⑤ ⑥ ⑦ ⑧ ⑨ ⑩

- ① Series No.
- ② Category: W-wafer
- ③ Connector type: R- Right Angle 90°
- ④ Mounting type: S-SMT
- ⑤ Row No.-Pin No per row: XX-02P~15P
- ⑥ Special No.: HF-Halogen Free
- ⑦ Material: LP -LCP 94V-0 9T-PA9T 94V-0
- ⑧ Plating Code: SW-Matte tin plating
- ⑨ Color: Blank-Natural Color
- ⑩ Packing:Blank-Tin foot aback,Cold seal
RQ-Tin foot forward,Heat seal



Poles	Dimensions(mm)		Poles	Dimensions(mm)	
	A	B		A	B
02	1.50	6.00	09	12.00	16.50
03	3.00	7.50	10	13.50	18.00
04	4.50	9.00	11	15.00	19.50
05	6.00	10.50	12	16.50	21.00
06	7.50	12.00	13	18.00	22.50
07	9.00	13.50	14	19.50	24.00
08	10.50	15.00	15	21.00	25.50

					GENERAL TOLERANCE				PART NO. 1502WRS-XXX-XXSW-XX					
					.X ±0.30				TITLE 1.50mm Crimp Style Connectors					
					.XX ±0.20									
					.XXX ±0.10				APPROVAL					
					X° ±2°				CHECK					
					PROJECT				DRAWN					
					APPROVAL				DATE					
2020/07/14	B		Update Drawing Frame	Roy.Hu	Robing	Smark	Joshua	Yu wei	2017/12/14	UNIT				
DATE	REV	ECN NO	DESCRIPTION	MODIFY	APPROVAL					mm	SCALE	SHEET	REV	NUMBER
1	2	3	4	5	6	7	8					B	A-007	

SMS 东莞市思索技术股份有限公司
Dongguan SESO Technology Co.,Ltd.