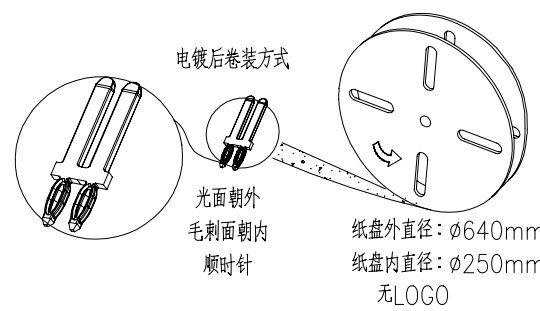
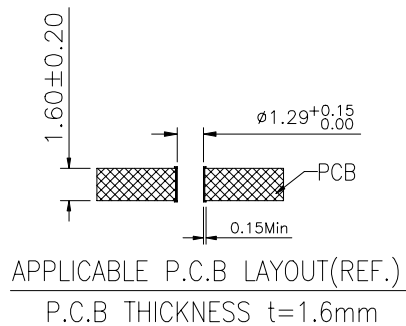
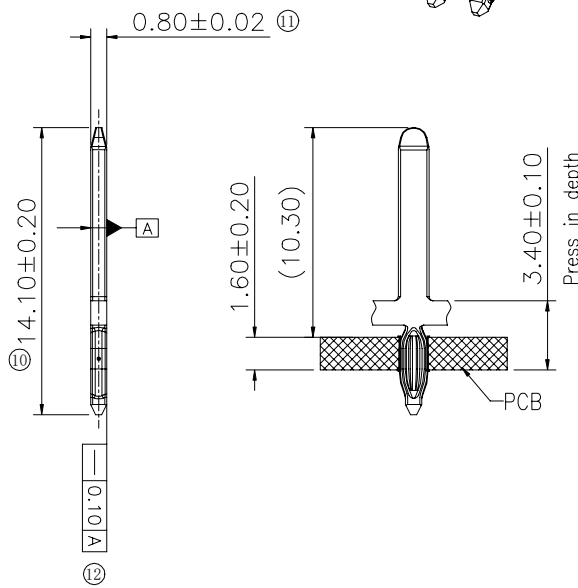
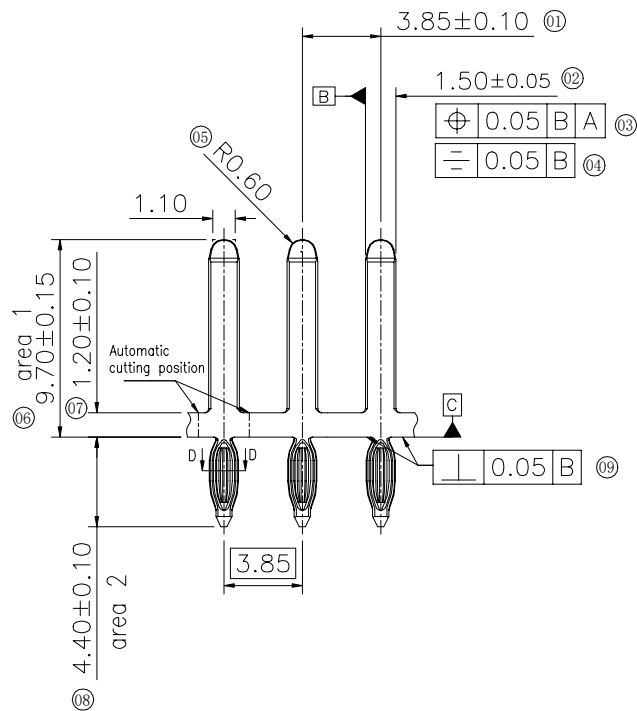


RoHS

This products can apply to the SESO Doc NO. QA-3-04-005 of Environmental&Material Management Rules



- Specifications :
- Current rating: 5A AC/DC
 - Withstanding voltage: 500V AC/minute
 - Temperature range: -40°C~+125°C
 - Insulation resistance: ≥1000MΩ
 - Contact resistance: ≤20mΩ
 - After environmental testing: ≤40mΩ
 - Material(Pin): High Conductivity Copper
 - Symbols for SPC dimensions: "★"
 - Product Specification: PS-XXXX-XX
 - Packaging: 50Kpcs/REEL
(Outer diameter of paper plate: φ640mm
Inside diameter of paper plate: φ250mm)

150 080 - 440 * 970 - VQ - H SR1
① ② ③ ④ ⑤ ⑥ ⑦

- ① Material Width : 150-1.50mm
- ② Special No.: 080-Thickness 0.80mm
- ③ Special No.: 440-length 4.4mm
- ④ Special No.: 970-length 9.70mm
- ⑤ Connector Type: VQ-180°
- ⑥ Material: H-High Conductivity Copper
- ⑦ Plating Code:
SR1-area1 100u"MIN(2.5um)Ni,40~120u"(1~3um)Tin
area2 100u"MIN(2.5um)Ni,20~40u"(0.5~1um)Tin

					GENERAL TOLERANCE				PART NO. 150080-440*970-VQ-HSR1						
					.X ±0.35				TITLE: 1.5x0.8 PIN Header connectors						
					.XX ±0.25				UNIT mm						
					.XXX±0.15				SCALE 1:1						
					X.' ±2'				SHEET 1/1						
2024.2.26	A1	/	Change plating specification	Eric Xue	Jack Zhang	APPROVAL	CHECK	DRAWN	DATE	REV A1					
DATE	REV	ECN NO.	DESCRIPTION	MODIFY	APPROVAL	PROJECT	Jack Zhang	Larry Yang	Eric Xue	2023/05/22	NUMBER A-000				
					PROJECT										

SMS 东莞市思索技术股份有限公司
Dongguan SESO Technology Co.,Ltd.