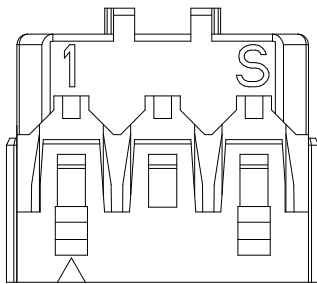
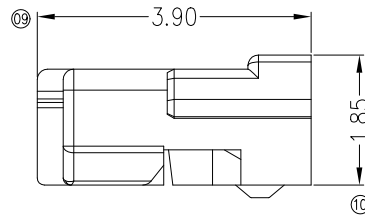
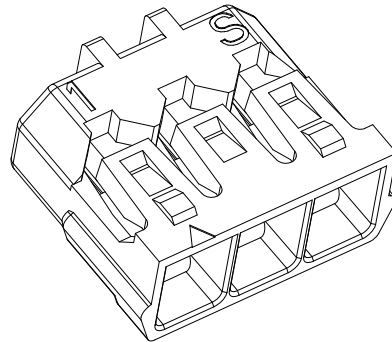
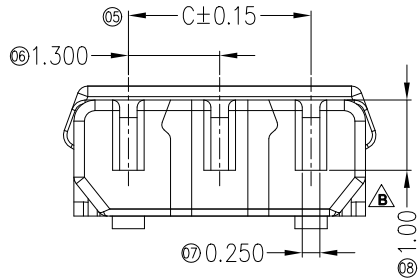
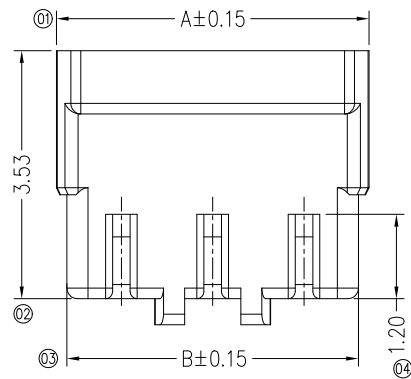
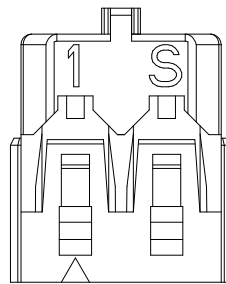


RoHS

This products can apply to the SESO Doc NO. QA-3-04-005 of Environmental&Material Management Rules



3~12Pin Shape



2Pin Shape



Specifications :

- Voltage rating: 30V AC / DC
- Current rating: 3.0A AC / DC
- Withstanding voltage: 500V AC/minute
- Temperature range: -25°C~+85°C
- Insulation resistance: ≥100MΩ
- Contact resistance: <20mΩ
- After environmental testing: <40mΩ
- Suitable SESO Terminal: 1302T
- Suitable SESO Wafer: 1302WRS

1302 H X-1xXX- NL N B H 01 F  
① ② ③ ④ ⑤ ⑥ ⑦ ⑧ ⑨ ⑩

- ① Series No.1302
- ② Category: H-Housing
- ③ Welding Board Angle: Blank-ordinary
- ④ Row No.-Pin No.: 1xXX-1x02~1x12P
- ⑤ Material: NL-PA66 94V-0
- ⑥ Color: N-natural color
- ⑦ Packag: B-Bag
- ⑧ Green code: H-Halogen Free
- ⑨ Water code: 01
- ⑩ F-Other Connectors

Poles	Dimensions(mm)		
	A	B	C
1x02	3.15	2.85	1.30
1x03	4.45	4.15	2.60
1x04	5.75	5.45	3.90
1x05	7.05	6.75	5.20
1x06	8.35	8.05	6.50
1x07	9.65	9.35	7.80
1x08	10.95	10.65	9.10
1x09	12.25	11.95	10.40
1x10	13.55	13.25	11.70
1x11	14.85	14.55	13.00
1x12	16.15	15.85	14.30

DATE	REV	ECN NO.	DESCRIPTION	MODIFY	APPROVAL	PROJECT	APPROVAL	CHECK	DRAWN	DATE	PART NO.	TITLE	UNIT	SCALE	SHEET	REV	NUMBER
2024/02/26	c	/	Update Drawing Frame	RayRain Lei	Larry Yang	GENERAL TOLERANCE		APPROVAL	CHECK	DRAWN	DATE	1302H-1xXX-NLNBH01F	mm	1:1	1/1	c	CD
2020/07/29	B	EN20200729002	Improve the performance of part of opposite assembling and without fool-proof function	Xue	Robing	.X ±0.30											
						.XX ±0.20											
						.XXX±0.10											
						X.' ±2'											

**SMS** 东莞市思索技术股份有限公司  
Dongguan SESO Technology Co.,Ltd.

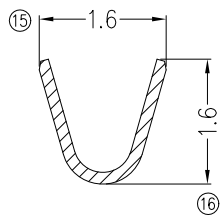
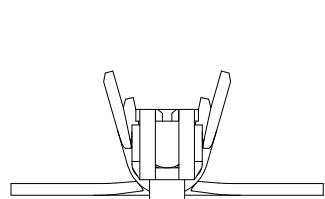
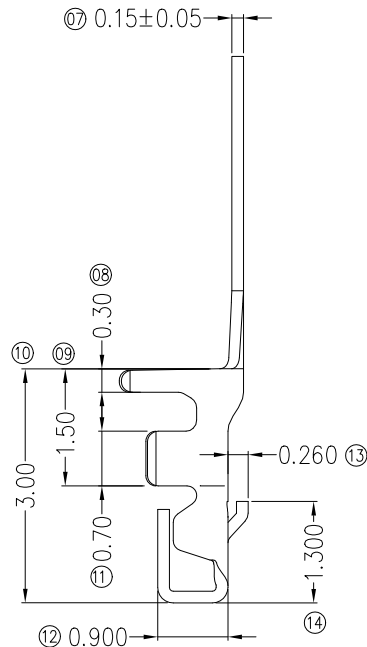
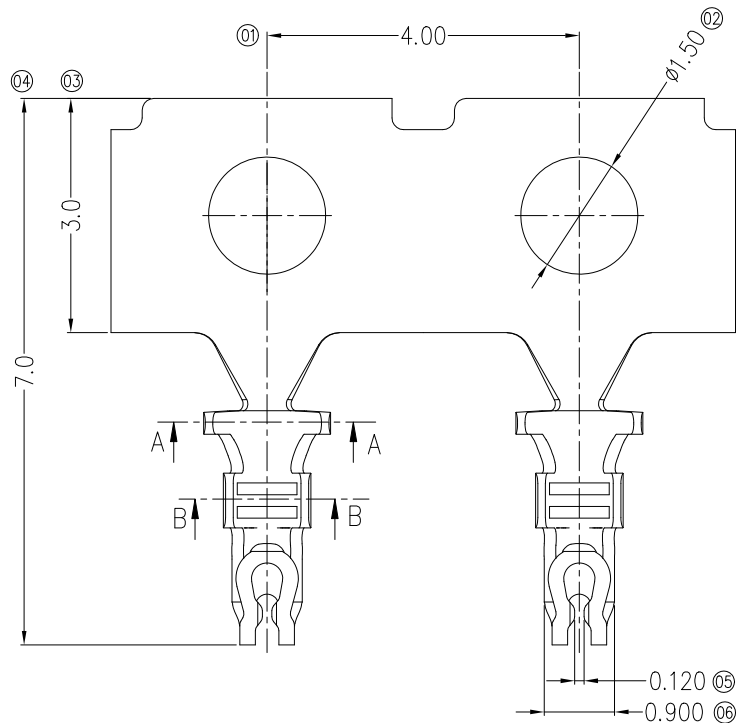
PART NO.  
1302H-1xXX-NLNBH01F

TITLE  
1.30 mm Crimp Style Connectors

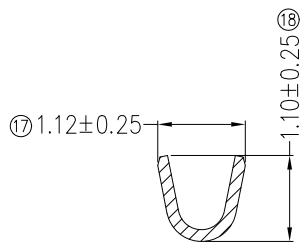
Jack Zhang Larry Yang RayRain Lei 2018/07/10

RoHS

This products can apply to the SESO Doc NO. QA-3-04-005 of Environmental&Material Management Rules



SECTION A-A  
SCALE 1:1



SECTION B-B  
SCALE 1:1

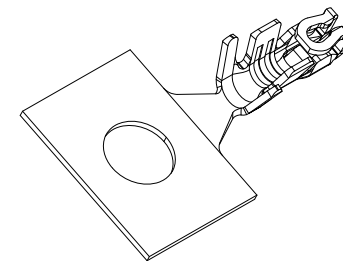


Specifications :

- Voltage rating: 30V AC / DC
- Current rating: 3.0A AC / DC
- Withstanding voltage: 500V AC/minute
- Temperature range: -40°C~+105°C
- Insulation resistance: ≥100MΩ
- Contact resistance: <20mΩ
- After environmental testing :≤40mΩ
- Wire Range: AWG#26~28
- Insulation O.D:0.98mm (Max.)
- Used In SESO Housing:1302H

1302 T X X-H 10 S X-01 F  
① ② ③ ④ ⑤ ⑥ ⑦ ⑧ ⑨ ⑩

- ① Series Number
- ② Category: T-terminal
- ③ Shape:Blank-ordinary
- ④ Appearance encoding:Blank-Ordinary
- ⑤ Material:H-High conductivity copper
- ⑥ Plating style: 10- Whole Gold :Gold Flash
- ⑦ Plating method:S-Stamping before plating
- ⑧ Special No: Blank-Normal Leads
- ⑨ Water code:01
- ⑩ F-Other connectors



					GENERAL TOLERANCE				PART NO. 1302T-H10S-01F			
					.X ±0.30				TITLE 1.30 mm Crimp Style Connectors			
					.XX ±0.20				APPROVAL CHECK DRAWN DATE			
					.XXX±0.10				UNIT SCALE SHEET REV NUMBER			
					X.' ±2'				mm 1:1 1/1 C CD			
					PROJECT							
					APPROVAL							
					Jack Zhang Larry Yang RayRain Lei 2018/09/27							
					SMS 东莞市思索技术股份有限公司 Dongguan SESO Technology Co.,Ltd.							
					DATE REV ECN NO. DESCRIPTION MODIFY APPROVAL							
					2024/02/26 c / Update Drawing Frame RayRain Lei Larry Yang							
					2020/06/28 B / Update Drawing Frame & Temperature Roy.Hu Robing							

RoHS

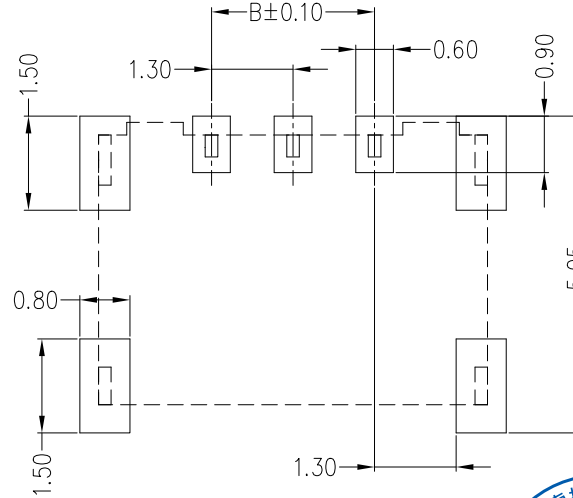
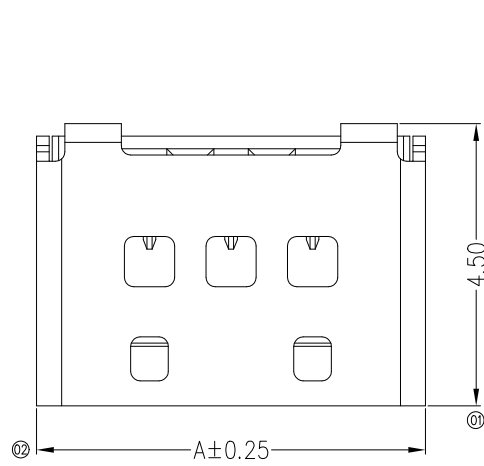
This products can apply to the SESO Doc NO. QA-3-04-005 of Environmental&Material Management Rules

Specifications :

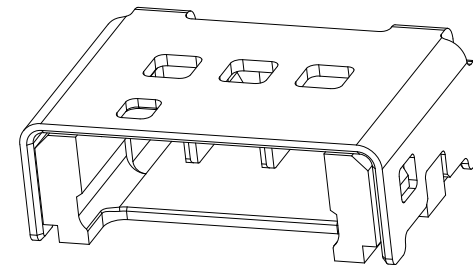
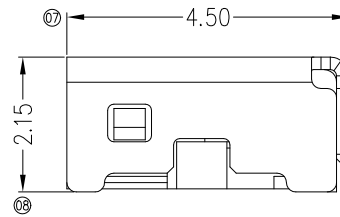
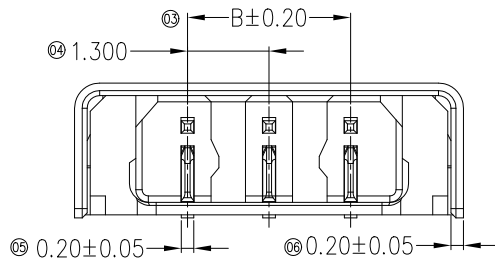
- Voltage rating: 30V AC / DC
- Current rating: 3.0A AC / DC
- Withstanding voltage: 500V AC/minute
- Temperature range: -40°C~+105°C
- Insulation resistance:  $\geq 100M\Omega$
- Contact resistance:  $\leq 20m\Omega$
- After environmental testing:  $\leq 40m\Omega$
- Metal material: High conductivity copper
- Mates With SESO Housing: 1302H

1302 W R S- XX HF- 4T V01 X  
 ① ② ③ ④ ⑤ ⑥ ⑦ ⑧ ⑨

- ① Series No.
- ② Category: W-wafer
- ③ Welding Board Angle: R- 90°
- ④ Welding Way: S-SMT
- ⑤ Row No.-Pin No.: XX-02P~12P
- ⑥ Green code: HF-Halogen-Free
- ⑦ Plastic material: 4T-PA4T 94V-0 ;
- ⑧ Planting Category: V01-All Gold Flash
- ⑨ Color : B-Black; N-Natural



Recommended P.C.B Layout  
 General Tolerance±0.05



Poles	Dimensions (mm)	
	A	B
02	4.90	1.30
03	6.20	2.60
04	7.50	3.90
05	8.80	5.20
06	10.10	6.50
07	11.40	7.80
08	12.70	9.10
09	14.00	10.40
10	15.30	11.70
11	16.60	13.00
12	17.90	14.30

2024/02/26	E	/	Update Drawing Frame	RayRain Lei	Larry Yang	<b>GENERAL TOLERANCE</b> .X ±0.30 .XX ±0.20 .XXX±0.10 X.' ±2' <b>PROJECT</b> 	<b>SMS 东莞市思索技术股份有限公司</b> Dongguan SESO Technology Co.,Ltd.				PART NO. 1302WRS-XXHF-4TV01X				
2020/10/08	D	ER20201008001	Change the material number according to customer's request	Xue	Robing						APPROVAL CHECK DRAWN DATE				TITLE 1.30 mm Crimp Style Connectors
2020/07/29	C	ER20200729003	Add anti - freeze structure	Xue	Robing		Jack Zhang	Larry Yang	RayRain Lei	2018/07/11	UNIT mm	SCALE 1:1	SHEET 1/1	REV E	NUMBER CD
DATE	REV	ECN NO.	DESCRIPTION	MODIFY	APPROVAL										