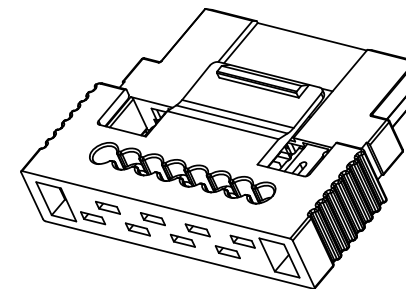
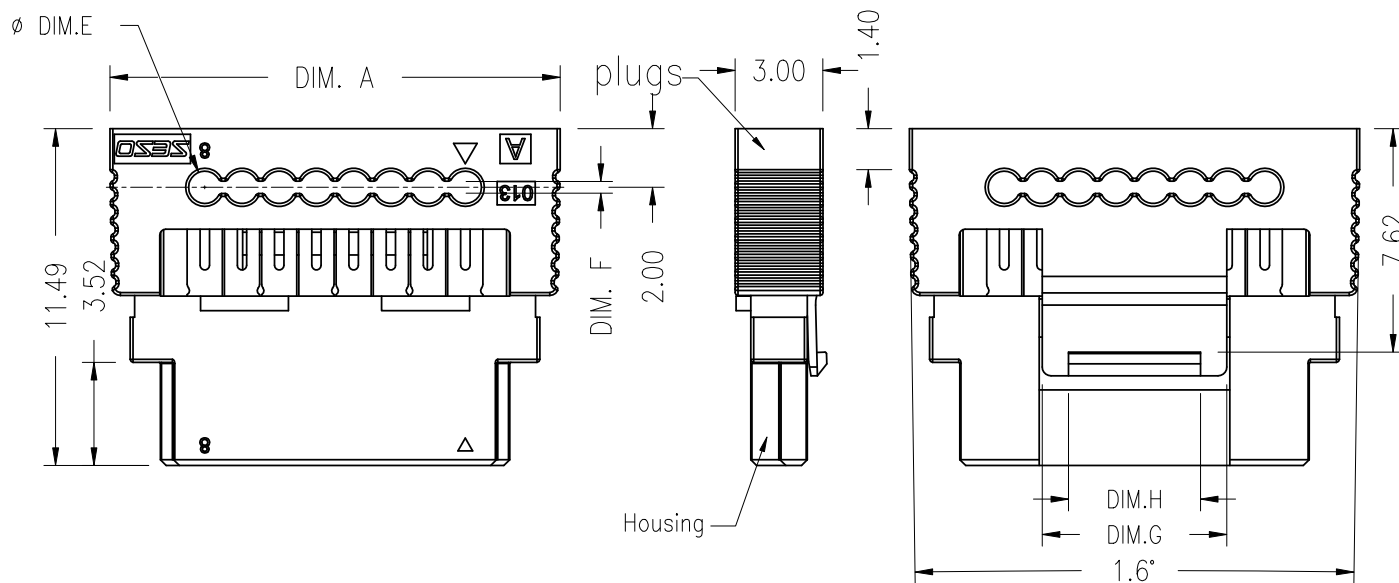


RoHS

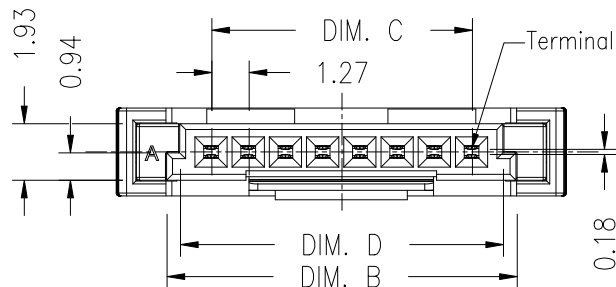
This products can apply to the SESO Doc NO. QA-3-04-005 of Environmental&Material Management Rules



3D VIEW

Specifications :

- Voltage rating: 125V AC / DC
- Current rating: 3A (0.35mm²)
1.5A(0.13mm²)
- Withstanding voltage: 500V AC/minute
- Temperature range: -40°C~+125°C
- Insulation resistance: ≥100MΩ
- Contact resistance: ≤25mΩ
- Mates With SESO Housing: 1278WRS/1278WVS



PIN#	DIM A	DIM B	DIM C	DIM D	DIM G	DIM H
2	7.74	4.30	1.27	3.40	3.30	2.00
3	9.01	5.57	2.54	4.67	3.30	2.00
4	10.28	6.84	3.81	5.94	3.80	2.00
5	11.55	8.11	5.08	7.21	3.80	2.00
6	12.82	9.38	6.35	8.48	6.50	4.50
7	14.09	10.65	7.62	9.75	6.50	4.50
8	15.36	11.92	8.89	11.02	6.50	4.50
9	16.63	13.19	10.16	12.29	6.50	4.50
10	17.90	14.46	11.43	13.56	6.50	4.50
11	19.17	15.73	12.70	14.83	6.50	4.50
12	20.44	17.00	13.97	16.1	6.50	4.50
13	21.71	18.27	15.24	17.37	6.50	4.50
14	22.98	19.54	16.51	18.64	6.50	4.50
15	24.25	20.81	17.78	19.91	6.50	4.50
16	25.52	22.08	19.05	21.18	6.50	4.50

1278 H I - XX X - LP GW05 B T R
① ②③ ④ ⑤ ① ⑥ ⑦⑧⑨

- ① Series No.
- ② Category: H-Housing
- ③ Connector Type: I- HSG+Hardware
- ④ Row No.-Pin No: XX-Single Row 1xXXPin
- ⑤ Wire diameter: F1-0.35mm²; F-0.22mm²;
Empty code-0.13mm²
- ⑥ Plastic material: LP- LCP UL94V-0
- ⑦ Plating Code: GW05-5u"(0.125um)Au
plating in contact area,80-160u"(2~4um)Sn
plating in solder area,30u"Min(0.75um" Min)
- ⑧ nickel overall
- ⑨ Color: N-Natural; B-Black; R-Red; L-Blue
- ⑩ Packing:T - tray
Special code: R-90°



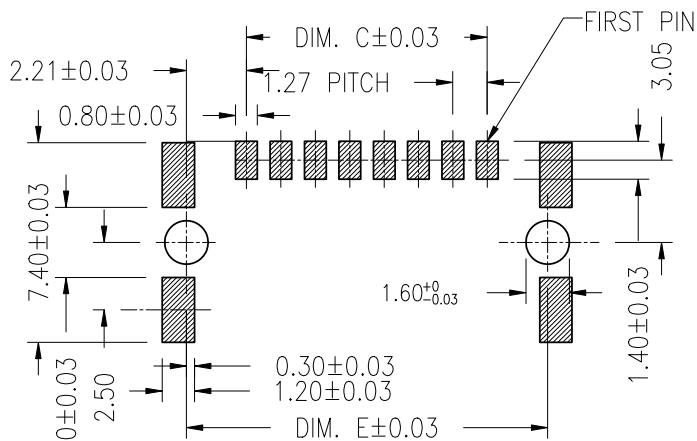
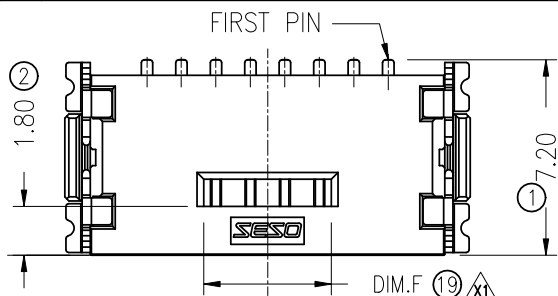
PART NO	DIM. E	DIM. F
1278HI-XXF1-LPGW05BTR	1.30	0.62
1278HI-XXF-LPGW05BTR	1.1	0.42
1278HI-XX-LPGW05BTR	1.1	0.42

DATE	REV	ECN NO.	DESCRIPTION	MODIFY	APPROVAL	PROJECT	GENERAL TOLERANCE	APPROVAL	CHECK	DRAWN	DATE	PART NO.
2023/09/19	x2	/	Adding wire numbers and modifying part numbers	YUAN	Larry Yang	PROJECT	.X ±0.35	Jack Zhang	Larry Yang	YUAN	2022/12/07	1278HI-XXX-LPGW05BTR
2023/07/20	x1	/	Modify the logo and add dimensions	YUAN	Larry Yang		.XX ±0.25					TITLE 1.27mm PITCH Single RowWTB Connector
2022/12/07	x0	/	Initial Release	YUAN	Larry Yang		.XXX±0.15					UNIT SCALE SHEET REV NUMBER
							X: ±2'					mm 1:1 1/1 X2 PC

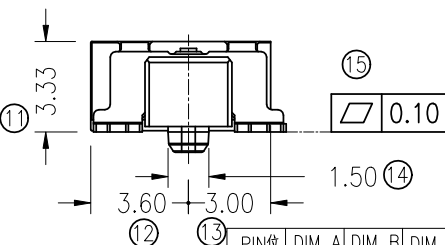
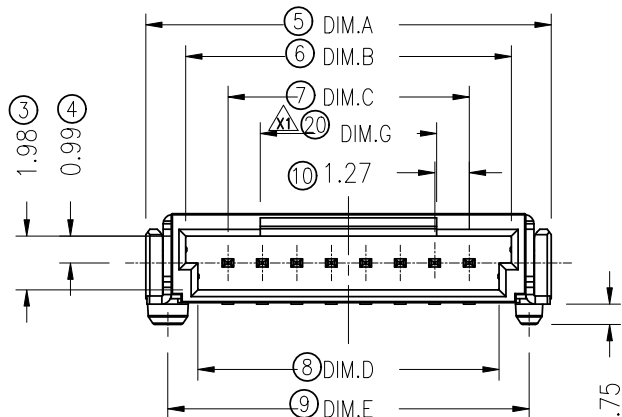
SMS 东莞市思索技术股份有限公司
Dongguan SESO Technology Co.,Ltd.

RoHS

This products can apply to the SESO Doc NO. QA-3-04-005 of Environmental&Material Management Rules

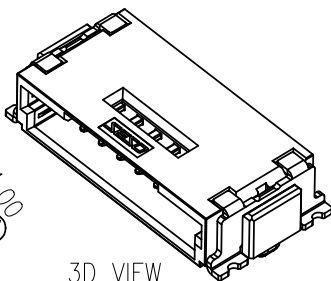
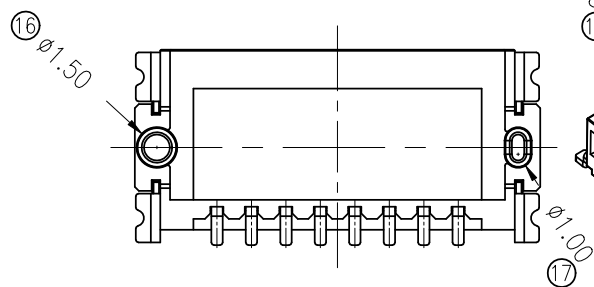


Recommended P.C.B Layout
General tolerance ±0.05
Solder paste height 0.12~0.15mm



1278 W R S - XX -LP GW01 B R S
① ② ③ ④ ⑤ ⑥ ⑦ ⑧ ⑨ ⑩

- ① Series No.
- ② Category: W-wafer
- ③ Connector Type: R- 90°
- ④ Forming method: S-SMT
- ⑤ Row No.-Pin No: XX-Single Row 1xXXPin
- ⑥ Plastic material: LP- LCP UL94V-0
- ⑦ Plating Code: GW01-, Gold Flash Au plating in contact area, 80~160u"(2~4um)Sn . plating in solder area, 40~120u"(1~3um)". nickel overall
- ⑧ Color: N-Natural; B-Black; R-Red; L-Blue
- ⑨ Packing: R-Reel
- ⑩ Special code: S



PIN位	DIM A	DIM B	DIM C	DIM D	DIM E	DIM F	DIM G
2	7.32	4.38	1.27	3.48	5.69	2.20	3.50
3	8.59	5.65	2.54	4.75	6.96	2.20	3.50
4	9.86	6.92	3.81	6.02	8.23	2.20	4.00
5	11.13	8.19	5.08	7.29	9.50	2.20	4.00
6	12.40	9.46	6.35	8.56	10.77	4.70	6.50
7	13.67	10.73	7.62	9.83	12.04	4.70	6.50
8	14.94	12.00	8.89	11.10	13.31	4.70	6.50
9	16.21	13.27	10.16	12.37	14.58	4.70	6.50
10	17.48	14.54	11.43	13.64	15.85	4.70	6.50
11	18.75	15.81	12.70	14.91	17.12	4.70	6.50
12	20.02	17.08	13.97	16.18	18.39	4.70	6.50
13	21.29	18.35	15.24	17.45	19.66	4.70	6.50
14	22.56	19.62	16.51	18.72	20.93	4.70	6.50
15	23.83	20.89	17.78	19.99	22.20	4.70	6.50
16	25.10	22.16	19.05	21.26	23.47	4.70	6.50

DATE	REV	ECN NO.	DESCRIPTION	MODIFY	APPROVAL	PROJECT	APPROVAL	CHECK	DRAWN	DATE	UNIT	SCALE	SHEET	REV	NUMBER	
2023/07/20	X1	/	Modify the logo and add ribs			GENERAL TOLERANCE	SMS 东莞市思索技术股份有限公司 Dongguan SESO Technology Co.,Ltd.									
2022/12/07	X0	/	Initial Release			.X ±0.35										
						.XX ±0.25										
						.XXX±0.15										
						X: ±2'										
						PROJECT										
							APPROVAL	CHECK	DRAWN	DATE	mm	1:1	1/1	X1	A-000	
							Jack Zhang	Larry Yang	YUAN	2022/12/07						

PART NO.		1278WRS-XX-LPGW01BRS	
TITLE		1.27mm PITCH SINGLE ROW WT B CONNECTOR	
UNIT	SCALE	SHEET	REV
mm	1:1	1/1	X1
NUMBER	A-000		