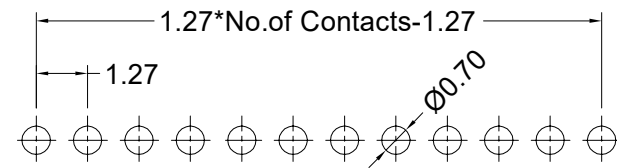
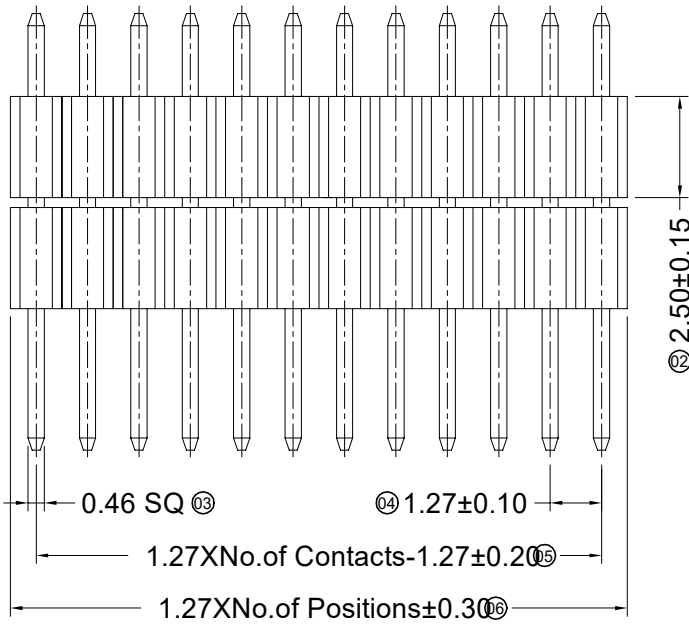
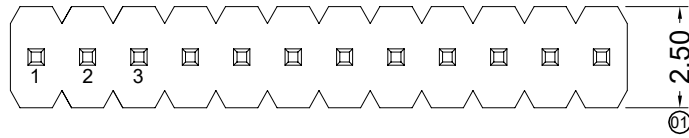
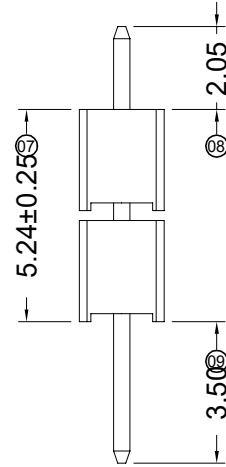


RoHS  Lead-free



Recommended P.C.B Layout  
General Tolerance±0.05



■ Specifications :


- Voltage rating: 250V AC / DC
- Current rating: 1A AC / DC
- Withstanding voltage: 500V AC/minute
- Temperature range: -25°C~+85°C
- Insulation resistance: ≥1000MΩ
- Contact resistance: ≤20mΩ
- After environmental testing: ≤30mΩ

1271 W V X-XX H-6T V01 XX-A  
① ② ③ ④ ⑤ ⑥ ⑦ ⑧ ⑨ ⑩

- ① Series No.
- ② Category: W-wafer
- ③ Welding Board Angle: V- Straight 180°
- ④ Welding Way: Blank-DIP
- ⑤ Row No.-Pin No.: XX-Single Row
- ⑥ Plug the Pin & Special No.: H-Double Plastic body
- ⑦ Material: 6T-PA6T 94V-0
- ⑧ Planting Category: V01-All Gold Flash
- ⑨ Color: Blank-natural color
- ⑩ A-The total length Pin=10.79mm ; Contact Pin=2.05mm  
DIP=3.50mm



1271WV-XXH-6TV01-A	Nylon 6T UL 94V-0	Brass	Gold-Flash	1271W
PART NO	Material	Material(Terminal)	Finish(Terminal)	Mates With SWB Pin Header

							<p>GENERAL TOLERANCE</p> <p>X ±0.30</p> <p>XX ±0.20</p> <p>.XXX ±0.10</p>				 <p>思索连接器有限公司 SWB CONNECTORS CO.,LTD</p>				<p>PART NO. 1271WV-XXH-6TV01-A</p>			
							<p>APPROVAL</p>				<p>CHECK</p>							
							<p>DRAWN</p>				<p>DATA</p>							
							<p>PROJECT</p>				<p>Jova</p>							
							<p>2011/08/01</p>				<p>UNIT MM</p>							
							<p>SCALE 1:1</p>				<p>NUMBER A-013</p>							
							<p>REVISION</p>				<p>REV B</p>							

2013/08/24	A	B	ECN2013082501	Modify the drawing frame format	JOVA	
DATE	OLD REV	NEW REV	ECN	DESCRIPTION	CHECK	APPROVAL

RoHS

This products can apply to the SWB Doc NO. QA-3-04-005 of Environmental&Material Management Rules



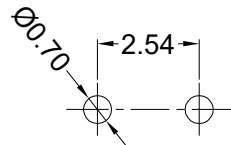
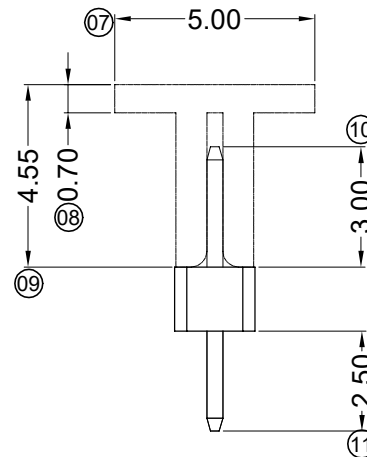
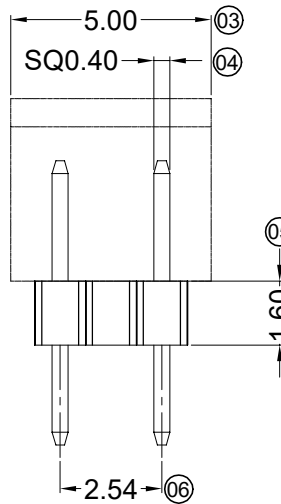
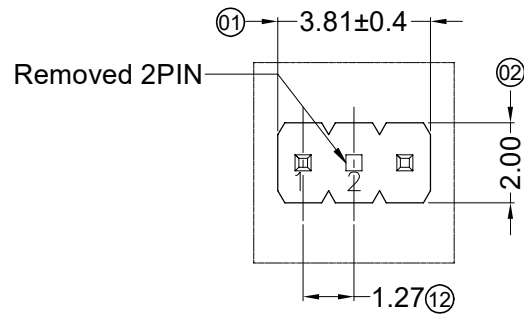
■ Specifications :

- Voltage rating: 250V AC / DC
- Current rating: 1A AC / DC
- Withstanding voltage: 300V AC/minute
- Temperature range: -40°C~+105°C
- Insulation resistance: ≥500MΩ
- Contact resistance: ≤20mΩ
- After environmental testing: ≤30mΩ
- Material(Pin): Brass
- Material(CAP): LCP 94V-0 Halogen Free Black
- Mates With SWB 1271FX

1271 W V X - 03N02 HF - LP XX XX C -02

① ② ③ ④ ⑤ ⑥ ⑦ ⑧ ⑨ ⑩ ⑪

- ① Series No.
- ② Category: W-Wafer
- ③ Connector Type: V- 180°
- ④ Mouting Type: Blank-DIP
- ⑤ Row No.-Pin No.: 03N02-3PIN Removed 2PIN
- ⑥ HF-Halogen Free
- ⑦ Material: LP-LCP 94V-0
- ⑧ Plating Category: V01-All Area G/F; Ni 50u" Min.
- ⑨ Color: Blank-Black Color
- ⑩ C-With CAP
- ⑪ 02-3.00/1.60/2.50



Recommended P.C.B Layout  
General Tolerance±0.05

					<p>GENERAL TOLERANCE</p> <p>.X ±0.30</p> <p>.XX ±0.20</p> <p>.XXX ±0.10</p> <p>X.° ±2°</p>				<p>东莞市思索连接器有限公司</p> <p>SWB CONNECTORS CO.,LTD</p>				<p>PART NO.</p> <p>1271WV-03N02HF-LPXXXXC-02</p>				
					<p>APPROVAL</p> <p>CHECK</p> <p>DRAWN</p> <p>DATE</p>				<p>TITLE</p> <p>1.27 mm Pin Header connectors</p>								
DATE	REV	ECN NO.	DESCRIPTION	MODIFY	APPROVAL	PROJECT			Mali	2020/07/07	UNIT	SCALE	SHEET	REV	NUMBER		
1											mm	1:1	1/1	A	A-213		

RoHS

This products can apply to the SWB Doc NO. QA-3-04-005 of Environmental&Material Management Rules



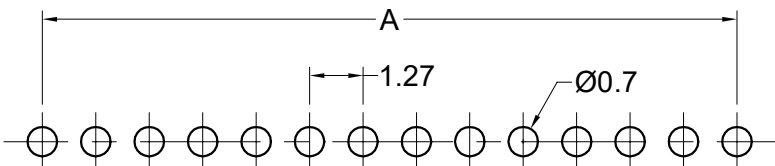
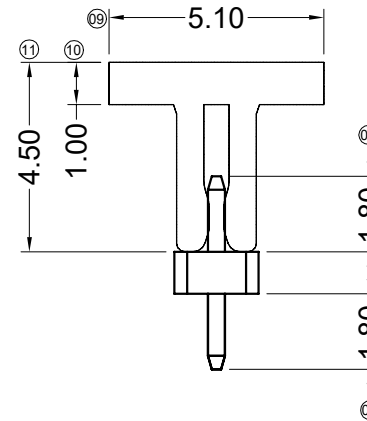
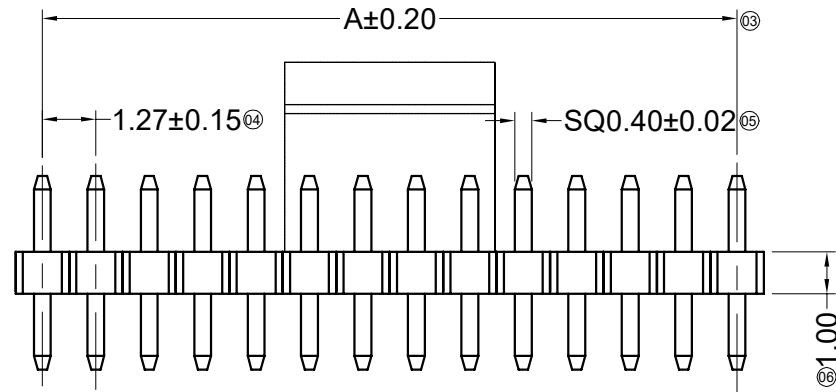
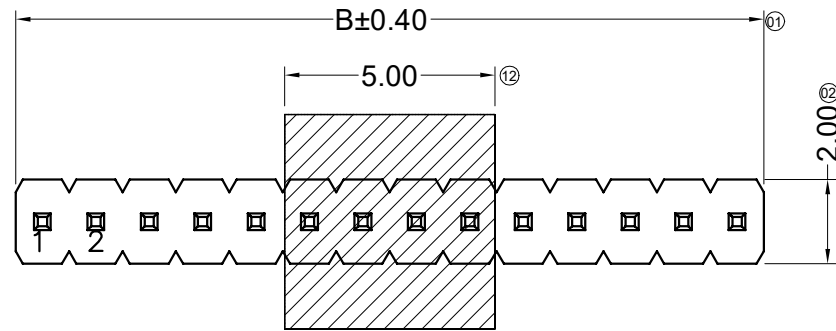
Specifications :

- Voltage rating: 250V AC / DC
- Current rating: 1.0A AC / DC
- Withstanding voltage: 300V AC/minute
- Temperature range: -40°C~+105°C
- Insulation resistance: ≥500MΩ
- Contact resistance: ≤20mΩ
- After environmental testing: ≤30mΩ
- Material(Pin): Brass
- Material(CAP): LCP Black Halogen Free
- Mates With SWB 1271FV-XX-LPXXXX-03

1271 W V X- XX - LP XX XX X- 01

① ② ③ ④ ⑤ ⑥ ⑦ ⑧ ⑨ ⑩

- ① Series No.
- ② Category: W-Wafer
- ③ Connector Type: V- 180°
- ④ Mouting Type: Blank-DIP
- ⑤ Row No.-Pin No.: XX-02P~25P
- ⑥ Material: LP-LCP 94V-0
- ⑦ Plating Category:  
V30-Contact Area Au 30u" Min.; Other Area G/F; Ni 50u" Min.  
SW-Matte tin plating 100u" Min; Under Ni-50u" Min.
- ⑧ Color: Blank-Black color
- ⑨ C-With CAP Blank-Without CAP
- ⑩ 01-1.80\*1.00\*1.80



Recommended P.C.B Layout  
General Tolerance±0.05

Poles	Dimensions (mm)		Poles	Dimensions (mm)	
	A	B		A	B
02	1.27	2.54	15	17.78	19.05
03	2.54	3.81	16	19.05	20.32
04	3.81	5.08	17	20.32	21.59
05	5.08	6.35	18	21.59	22.86
06	6.35	7.62	19	22.86	24.13
07	7.62	8.89	20	24.13	25.40
08	8.89	10.16	21	25.40	26.67
09	10.16	11.43	22	26.67	27.94
10	11.43	12.70	23	27.94	29.21
11	12.70	13.97	24	29.21	30.48
12	13.97	15.24	25	30.48	31.75
13	15.24	16.51			
14	16.51	17.78			

GENERAL TOLERANCE	
.X	±0.30
.XX	±0.20
.XXX	±0.10
X.°	±2°
PROJECT	



东莞市思索连接器有限公司

SWB CONNECTORS CO.,LTD

PART NO.  
1271WV-XX-LPXXXXC-01

TITLE  
1.27mm Pin Header connectors

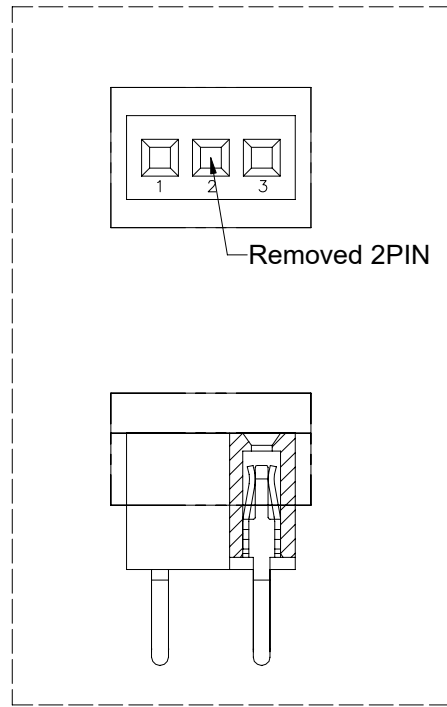
DATE	REV	ECN NO.	DESCRIPTION	MODIFY	APPROVAL
1					

APPROVAL	CHECK	DRAWN	DATE
		Mali	2020/01/18

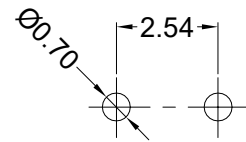
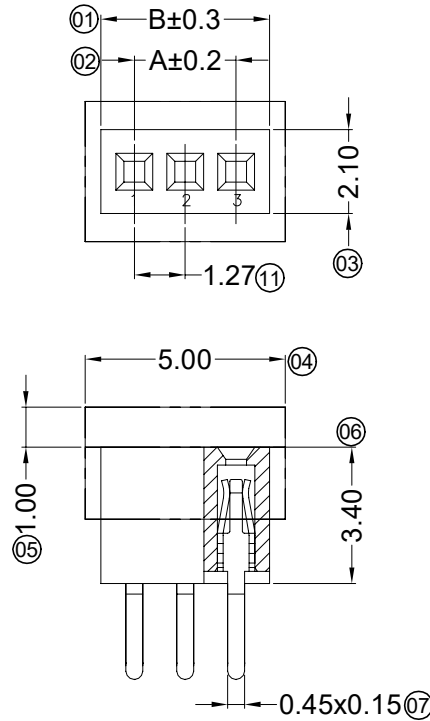
UNIT	SCALE	SHEET	REV	NUMBER
mm	1:1	1/1	A	A-213

RoHS

This products can apply to the SWB Doc NO. QA-3-04-005 of Environmental&Material Management Rules



3PIN Removed 2PIN TYPE



Recommended P.C.B Layout  
General Tolerance±0.05



■ Specifications :

- Voltage rating: 250V AC / DC
- Current rating: 1A AC / DC
- Withstanding voltage: 300V AC/minute
- Temperature range: -40°C~+105°C
- Insulation resistance: ≥500MΩ
- Contact resistance: ≤20mΩ
- After environmental testing: ≤30mΩ
- Material(Pin): Phosphor Bronze
- Material(CAP): LCP 94V-0 Halogen Free Black
- Mates With SWB 1271WX

1271 F V X - XX XX XX C- XX XX XX X  
① ② ③ ④ ⑤ ⑥ ⑦ ⑧ ⑨ ⑩ ⑪ ⑫

- ① Series No.
- ② Category: F-Wafer
- ③ Connector Type: V- 180°
- ④ Mouting Type: Blank-DIP
- ⑤ Row No.-Pin No.: XX-Single Row
- ⑥ N02-Removed 2PIN Blank-No Removed PIN
- ⑦ HF-Halogen Free Blank-Rohs
- ⑧ Special No. :C-Plastic Height=3.4mm ; DIP=2.4mm
- ⑨ Material: LP-LCP 94V-0 6T-PA6T 94V-0
- ⑩ Plating Category: V01-All Area G/F; Ni 50u" Min.
- ⑪ Color: Blank-Black Color
- ⑫ C-With CAP Blank-Without CAP

Poles	Dimensions(mm)		Poles	Dimensions(mm)	
	A	B		A	B
02	1.27	2.94	12	13.97	15.64
03	2.54	4.21	13	15.24	16.91
04	3.81	5.48	14	16.51	18.18
05	5.08	6.75	15	17.78	19.45
06	6.35	8.02	16	19.05	20.72
07	7.62	9.29	17	20.32	21.99
08	8.89	10.56	18	21.59	23.26
09	10.16	11.83	19	22.86	24.53
10	11.43	13.10	20	24.13	25.80
11	12.70	14.37			

					<p>GENERAL TOLERANCE</p> <p>.X ±0.30</p> <p>.XX ±0.20</p> <p>.XXX ±0.10</p> <p>X.° ±2°</p> <p>PROJECT</p>				<p>东莞市思索连接器有限公司</p> <p>SWB CONNECTORS CO.,LTD</p> <p>APPROVAL    CHECK    DRAWN    DATE</p> <p>Mali    2020/07/07</p>				<p>PART NO.</p> <p>1271FV-XXXXXXC-XXXXXX</p> <p>TITLE</p> <p>1.27 mm Pin Header connectors</p>				
DATE	REV	ECN NO.	DESCRIPTION	MODIFY	APPROVAL					UNIT	SCALE	SHEET	REV	NUMBER			
1										mm	1:1	1/1	A	A-213			

RoHS

This products can apply to the SWB Doc NO. QA-3-04-005 of Environmental&Material Management Rules

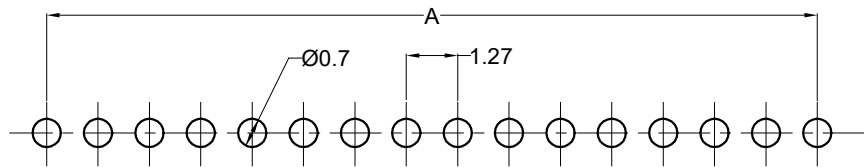
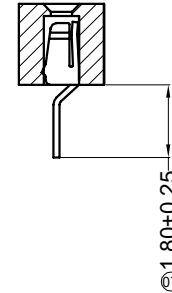
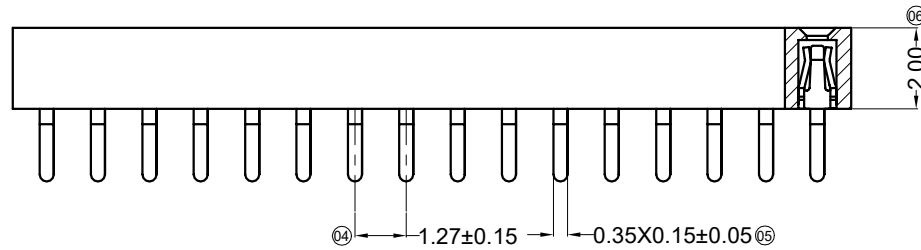
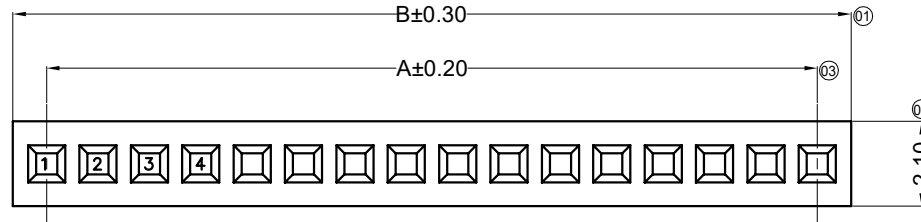
Specifications :

- Voltage rating: 250V AC / DC
- Current rating: 1.0A AC / DC
- Withstanding voltage: 300V AC/minute
- Temperature range: -40°C~+105°C
- Insulation resistance: ≥500MΩ
- Contact resistance: ≤20mΩ
- After environmental testing: ≤30mΩ
- Material(Pin): Phosphor Bronze
- Mates With SWB 1271WV-XX-LPXXXXC-01



1271 F V X- XX - LP XX XX- 03  
 ① ② ③ ④ ⑤ ⑥ ⑦ ⑧ ⑨

- ① Series No.
- ② Category: F-Wafer
- ③ Connector Type: V- 180°
- ④ Mounting Type: Blank-DIP
- ⑤ Row No.-Pin No.: XX-Single Row
- ⑥ Material: LP-LCP 94V-0
- ⑦ Plating Category:  
 V01-All Area G/F, under Ni-50u" Min.  
 V10-Contact Area Gold 10u" Min.; Solder Area G/F; Ni 50u" Min.  
 SW-Matte Tin 100u" Min. Ni-50u" Min.
- ⑧ Color: Blank-Black color
- ⑨ 03-2.00/1.80



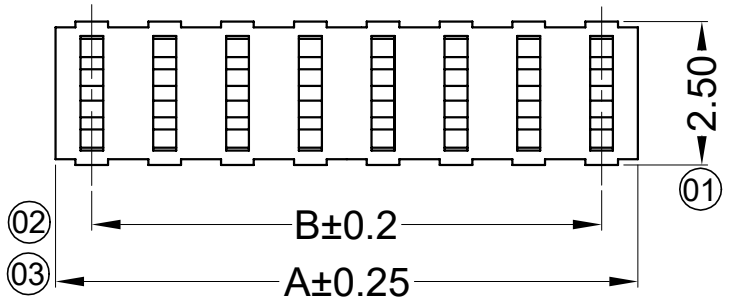
Recommended P.C.B Layout  
 General Tolerance±0.05

Poles	Dimensions (mm)		Poles	Dimensions (mm)	
	A	B		A	B
02	1.27	2.94	15	17.78	19.45
03	2.54	4.21	16	19.05	20.72
04	3.81	5.48	17	20.32	21.99
05	5.08	6.75	18	21.59	23.26
06	6.35	8.02	19	22.86	24.53
07	7.62	9.29	20	24.13	25.80
08	8.89	10.56	21	25.40	27.07
09	10.16	11.83	22	26.67	28.34
10	11.43	13.10	23	27.94	29.61
11	12.70	14.37	24	29.21	30.88
12	13.97	15.64	25	30.48	32.15
13	15.24	16.91			
14	16.51	18.18			

					GENERAL TOLERANCE .X ±0.35 .XX ±0.25 .XXX ±0.15 X.° ±2° PROJECT 				PART NO. 1271FV-XX-LPXXXX-03 TITLE 1.27mm Pin Header connectors				
					东莞市思索连接器有限公司 SWB CONNECTORS CO.,LTD APPROVAL    CHECK    DRAWN    DATE				UNIT    SCALE    SHEET    REV    NUMBER mm    1:1    1/1    A    A-213				
DATE	REV	ECN NO.	DESCRIPTION	MODIFY	APPROVAL			Mali	2020/01/18				

RoHS

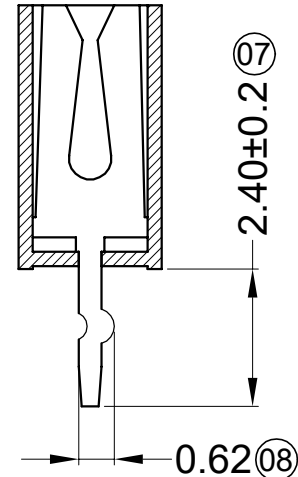
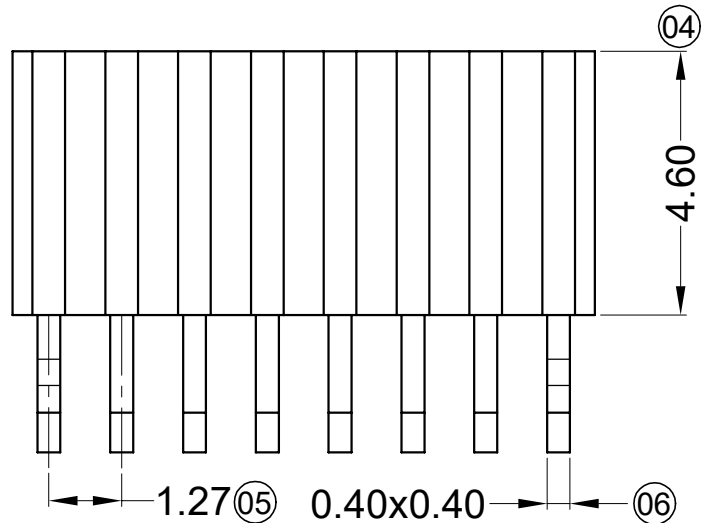
This products can apply to the SWB Doc NO. QA-3-04-005 of Environmental&Material Management Rules



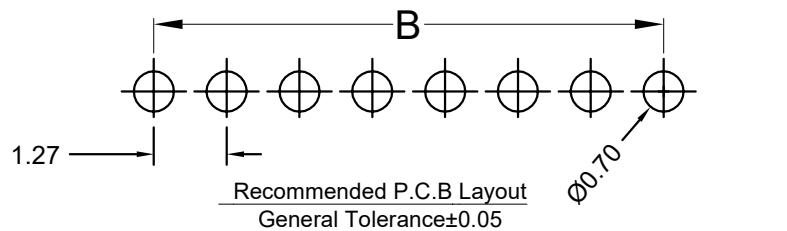
**Specifications :**

- Voltage rating: 250V AC / DC
- Current rating: 1A AC / DC
- Withstanding voltage: 500V AC/minute
- Temperature range: -40°C~+105°C
- Insulation resistance: ≥1000MΩ
- Contact resistance: ≤20mΩ
- After environmental testing: ≤30mΩ
- Material(Terminal): Phosphor Bronze
- Mates With SWB Pin Header 1271WX

1271 F V X- XX X- 9T XX XX-02  
① ② ③ ④ ⑤ ⑥ ⑦ ⑧ ⑨ ⑩



- ① Series No.
- ② Category: F-Female Wafer
- ③ Welding Board Angle: V-180°
- ④ Welding Way: Blank-DIP
- ⑤ Row No.-Pin No.: XX-Single Row
- ⑥ Plug the Pin & Special No.: K -With Kink
- ⑦ Material: 9T-PA9T UL94V-0 Black
- ⑧ Plating Category:  
V01-Contact area Gold flash; Solder Area Gold Flash; 50u" Min. Ni Allover  
V15-Contact Area 15u" Min. ; Solder Area Gold Flash; 50u" Min. Ni Allover  
SW-All Area Matte Tin 15u" Min.; 50u" Min. Ni Allover
- ⑨ Color : Blank-Black Color
- ⑩ 02-4.60/2.40



Poles	Dimensions(mm)		Poles	Dimensions(mm)	
	A	B		A	B
04	5.08	3.81	18	22.86	21.59
05	6.35	5.08	19	24.13	22.86
06	7.62	6.35	20	25.40	24.13
07	8.89	7.62	21	26.67	25.40
08	10.16	8.89	22	27.94	26.67
09	11.43	10.16	23	29.21	27.94
10	12.70	11.43	24	30.48	29.21
11	13.97	12.70	25	31.75	30.48
12	15.24	13.97	26	33.02	31.75
13	16.51	15.24	27	34.29	33.02
14	17.78	16.51	28	35.56	34.29
15	19.05	17.78	29	36.83	35.56
16	20.32	19.05	30	38.10	36.83
17	21.59	20.32	31	39.37	38.10

					<p>GENERAL TOLERANCE</p> <p>.X ±0.30</p> <p>.XX ±0.20</p> <p>.XXX ±0.10</p> <p>X.° ±2°</p>				<p>东莞市思索连接器有限公司</p> <p>SWB CONNECTORS CO.,LTD</p>				<p>PART NO.</p> <p>1271FV-XXX-9TXXXX-02</p>				
					<p>APPROVAL</p> <p>CHECK</p> <p>DRAWN</p> <p>DATE</p>				<p>TITLE</p> <p>1.27mm Straight Female Header</p>								
DATE	REV	ECN NO.	DESCRIPTION	MODIFY	APPROVAL	Joshua		2019/10/10		UNIT	SCALE	SHEET	REV	NUMBER			
1										mm	1:1	1/1	A	A-013			

RoHS

This products can apply to the SWB Doc NO. QA-3-04-005 of Environmental&Material Management Rules

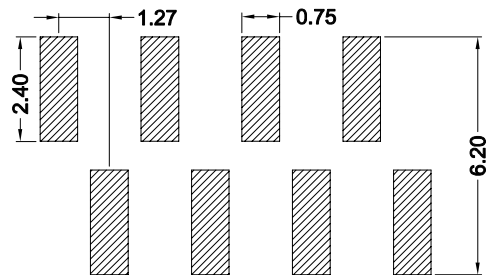
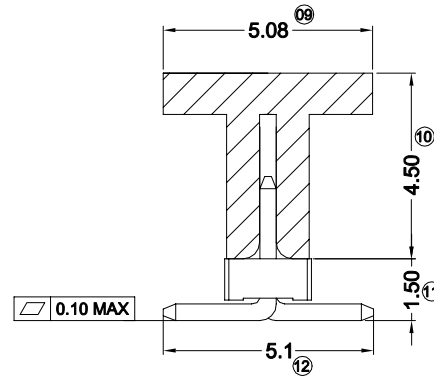
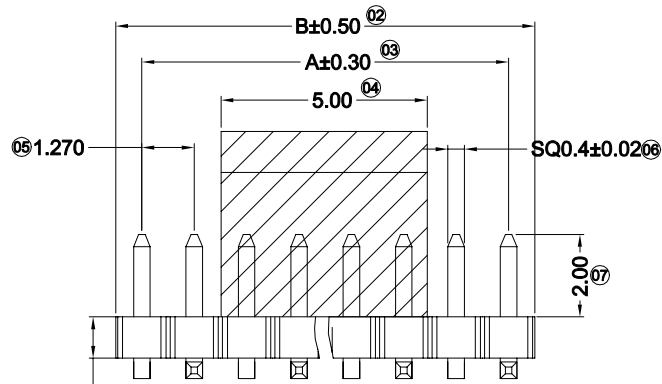


■ Specifications :

- Voltage rating: 500V AC / DC
- Current rating: 1A AC / DC
- Withstanding voltage: 500V AC/minute
- Temperature range: -40°C~+105°C
- Insulation resistance: ≥1000MΩ
- Contact resistance: ≤20mΩ
- After environmental testing: ≤30mΩ

1271 W V SX-XX E-6T XXX XX  
 ① ② ③ ④ ⑤ ⑥ ⑦ ⑧ ⑨

- ① Series No.
- ② Category: W-Wafer
- ③ Welding Board Angle: V-180°
- ④ Welding Way: S-SMT
- ⑤ Row No.-Pin No.: XX-03P~50P
- ⑥ Plug the Pin & Special No.: E-Height=1.00mm
- ⑦ Material: 6T -PA6T UL 94V-0
- ⑧ Plating Category: V01- All Gold-Plated
- ⑨ Color : Blank-Natural Color



Recommended P.C.B Layout  
 General Tolerance±0.10

Poles	Dimensions(mm)		Poles	Dimensions(mm)		Poles	Dimensions(mm)	
	A	B		A	B		A	B
01	1.27	1.27	18	21.59	22.86	35	43.18	44.45
02	1.27	2.54	19	22.86	24.13	36	44.45	45.72
03	2.54	3.81	20	24.13	25.40	37	45.72	46.99
04	3.81	5.08	21	25.40	26.67	38	46.99	48.26
05	5.08	6.35	22	26.67	27.94	39	48.26	49.53
06	6.35	7.62	23	27.94	29.21	40	49.53	50.80
07	7.62	8.89	24	29.21	30.48	41	50.80	52.07
08	8.89	10.16	25	30.48	31.75	42	52.07	53.34
09	10.16	11.43	26	31.75	33.02	43	53.34	54.61
10	11.43	12.70	27	33.02	34.29	44	54.61	55.88
11	12.70	13.97	28	34.29	35.56	45	55.88	57.15
12	13.97	15.24	29	35.56	36.83	46	57.15	58.42
13	15.24	16.51	30	36.83	38.10	47	58.42	59.69
14	16.51	17.78	31	38.10	39.37	48	59.69	60.96
15	17.78	19.05	32	39.37	40.64	49	60.96	62.23
16	19.05	20.32	33	40.64	41.91	50	62.23	63.50
17	20.32	21.59	34	41.91	43.18			

					GENERAL TOLERANCE		东莞市思索连接器有限公司 SWB CONNECTORS CO.,LTD				PART NO. 1271WVSX-XXE-6TXXX				
					.X ±0.30						TITLE 1.27 mm Crimp Style Connectors				
					.XX ±0.20		APPROVAL    CHECK    DRAWN    DATE								
					.XXX ±0.10							Yu wei    2017/10/24			
					X° ±2°		UNIT    SCALE    SHEET    REV    NUMBER								
					PROJECT							mm    1:1    1/1    B    A-195			
2020/08/08	B		Update Drawing Frame	Xue	Robing	PROJECT									
DATE	REV	ECN NO	DESCRIPTION	MODIFY	APPROVAL	PROJECT									



RoHS

This products can apply to the SWB Doc NO. QA-3-04-005 of Environmental&Material Management Rules

**Specifications :**

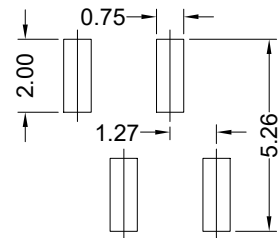
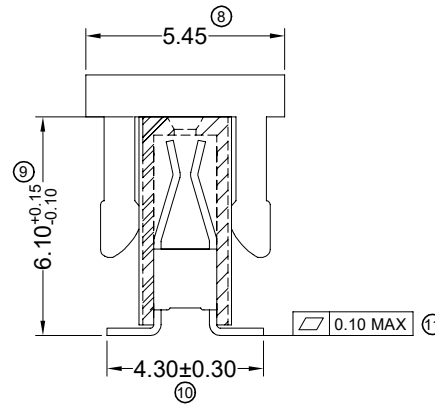
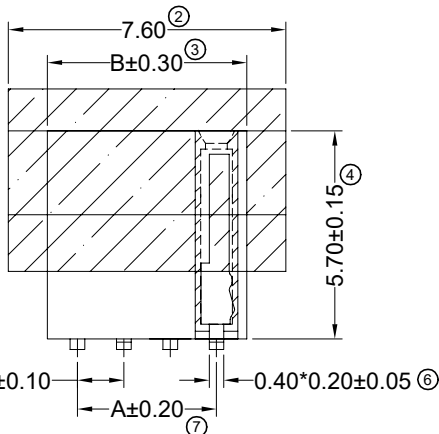
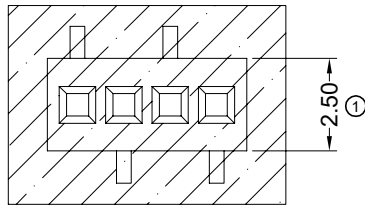
- Voltage rating: 250V AC / DC
- Current rating: 1A AC / DC
- Withstanding voltage: 500V AC/minute
- Temperature range: -40°C~+105°C
- Insulation resistance: ≥500MΩ
- Contact resistance: ≤20mΩ
- After environmental testing: ≤30mΩ



1271 F V S-XX XX-6T V01 XX

① ②③④ ⑤ ⑥ ⑦ ⑧ ⑨

- ① Series No.
- ② Category: F-Female
- ③ Welding Board Angle: V- Straight 180°
- ④ Welding Way: S-SMT
- ⑤ Row No.-Pin No.: XX-01P~50P
- ⑥ Special No
- ⑦ Material: 6T-PA6T 94V-0 ;
- ⑧ Planting Category: V01-Gold Flash ;
- ⑨ Color: Blank-Natural Color



Recommended P.C.B Layout  
General Tolerance±0.10

Poles	Dimensions(mm)		Poles	Dimensions(mm)		Poles	Dimensions(mm)	
	A	B		A	B		A	B
01		1.27	18	21.59	22.86	35	43.18	44.45
02	1.27	2.54	19	22.86	24.13	36	44.45	45.72
03	2.54	3.81	20	24.13	25.40	37	45.72	46.99
04	3.81	5.08	21	25.40	26.67	38	46.99	48.26
05	5.08	6.35	22	26.67	27.94	39	48.26	49.53
06	6.35	7.62	23	27.94	29.21	40	49.53	50.80
07	7.62	8.89	24	29.21	30.48	41	50.80	52.07
08	8.89	10.16	25	30.48	31.75	42	52.07	53.34
09	10.16	11.43	26	31.75	33.02	43	53.34	54.61
10	11.43	12.70	27	33.02	34.29	44	54.61	55.88
11	12.70	13.97	28	34.29	35.56	45	55.88	57.15
12	13.97	15.24	29	35.56	36.83	46	57.15	58.42
13	15.24	16.51	30	36.83	38.10	47	58.42	59.69
14	16.51	17.78	31	38.10	39.37	48	59.69	60.96
15	17.78	19.05	32	39.37	40.64	49	60.96	62.23
16	19.05	20.32	33	40.64	41.91	50	62.23	63.50
17	20.32	21.59	34	41.91	43.18			

1271FVS-XX-6TV01	Nylon 6T UL 94V-0	Brass	Gold-Flash	1271W
PART NO	Material	Material(Terminal)	Finish(Terminal)	Mates With SWB Pin Header

DATE	REV	ECN NO	DESCRIPTION	MODIFY	APPROVAL	PROJECT	APPROVAL	CHECK	DRAWN	DATE	UNIT	SCALE	SHEET	REV	NUMBER
2020/08/08	B		Update Drawing Frame	Xue	Robing	1271FVS-XX-6TV01			Kirin	2016/08/01	mm	1:1	1/1	B	A-012



东莞市思索连接器有限公司  
SWB CONNECTORS CO.,LTD

PART NO. 1271FVS-XX-6TV01

TITLE 1.27 mm Crimp Style Connectors



RoHS

This products can apply to the SWB Doc NO. QA-3-04-005 of Environmental&Material Management Rules

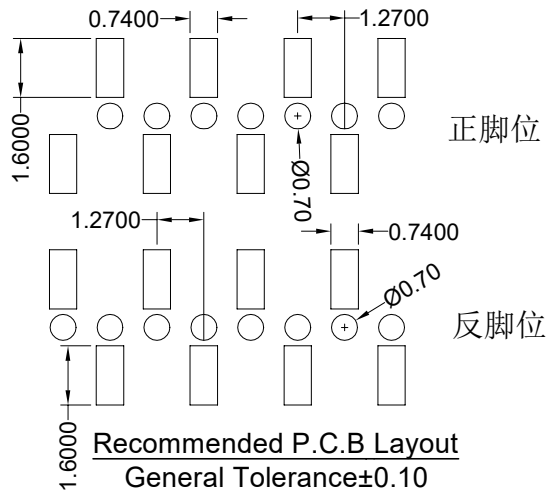
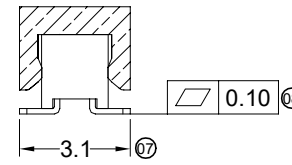
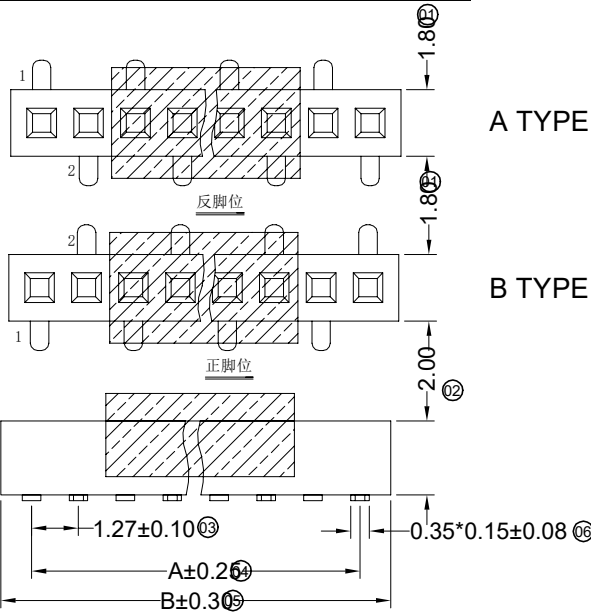
■ Specifications :

- Voltage rating: 500V AC / DC
- Current rating: 1A AC / DC
- Withstanding voltage: 1000V AC/minute
- Temperature range: -40°C~+105°C
- Insulation resistance: ≥500MΩ
- Contact resistance: ≤20mΩ
- After environmental testing: ≤30mΩ

1271 F V XX-XX E-6T V01 XX

① ②③④⑤⑥⑦⑧⑨

- ① Series No.
- ② Category: F-Female
- ③ Welding Board Angle: V- Straight 180°
- ④ Welding Way: SA-SMT A Type, SB-SMT B Type
- ⑤ Row No.-Pin No.: XX-01P~50P
- ⑥ Special No E-Height=2.00mm
- ⑦ Material: 6T-PA6T 94V-0 ;
- ⑧ Planting Category: V01-Gold Flash ;
- ⑨ Color: Blank-Natural Color BK-Black



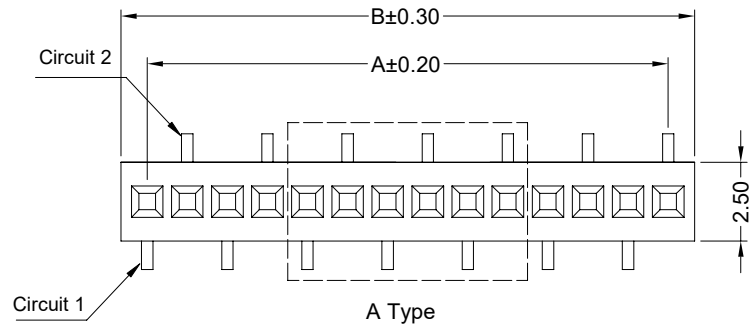
Poles	Dimensions(mm)		Poles	Dimensions(mm)		Poles	Dimensions(mm)	
	A	B		A	B		A	B
02	1.27	3.04	19	22.86	24.63	36	44.45	46.22
03	2.54	4.31	20	24.13	25.90	37	45.72	47.49
04	3.81	5.58	21	25.40	27.17	38	46.99	48.76
05	5.08	6.85	22	26.67	28.44	39	48.26	50.03
06	6.35	8.12	23	27.94	29.71	40	49.53	51.30
07	7.62	9.39	24	29.21	30.98	41	50.80	52.57
08	8.89	10.66	25	30.48	32.25	42	52.07	53.84
09	10.16	11.93	26	31.75	33.52	43	53.34	55.11
10	11.43	13.20	27	33.02	34.79	44	54.61	56.38
11	12.70	14.47	28	34.29	36.06	45	55.88	57.65
12	13.97	15.74	29	35.56	37.33	46	57.15	58.92
13	15.24	17.01	30	36.83	38.60	47	58.42	60.19
14	16.51	18.28	31	38.10	39.87	48	59.69	61.46
15	17.78	19.55	32	39.37	41.14	49	60.96	62.73
16	19.05	20.82	33	40.64	42.41	50	62.23	64.00
17	20.32	22.09	34	41.91	43.68			
18	21.59	23.36	35	43.18	44.95			

1271FVXX-XXE-6TV01XX	Nylon 6T UL 94V-0	Brass	Gold-Flash	1271W
PART NO	Material	Material(Terminal)	Finish(Terminal)	Mates With SWB Pin Header

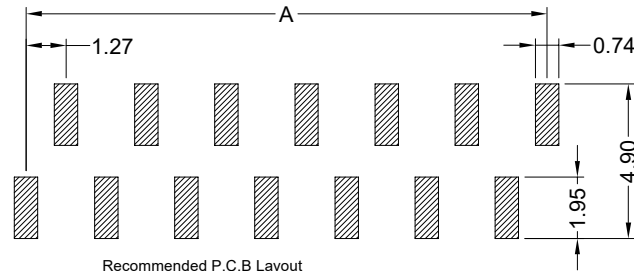
					GENERAL TOLERANCE				<b>东莞市思索连接器有限公司</b> <b>SWB CONNECTORS CO.,LTD</b>					PART NO.				
					.X ±0.30									1271FVXX-XXE-6TV01XX				
					.XX ±0.20				TITLE									
					.XXX ±0.10				1.27 mm Crimp Style Connectors									
					X° ±2°				UNIT									
2020/08/08					B				APPROVAL									
					Update Drawing Frame				CHECK									
					Xue				DRAWN									
					Robing				DATE									
DATE					REV				Yu wei									
ECN NO					DESCRIPTION				2017/10/24									
MODIFY					APPROVAL				mm									
					PROJECT				SCALE									
					① ②				1:1									
									SHEET									
									1/1									
									REV									
									B									
									NUMBER									
									A-195									

RoHS

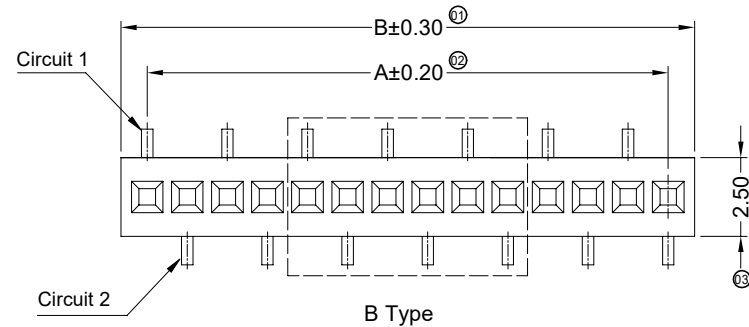
This products can apply to the SWB Doc NO. QA-3-04-005 of Environmental&Material Management Rules



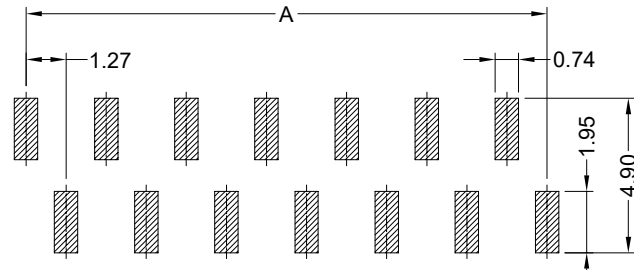
A Type



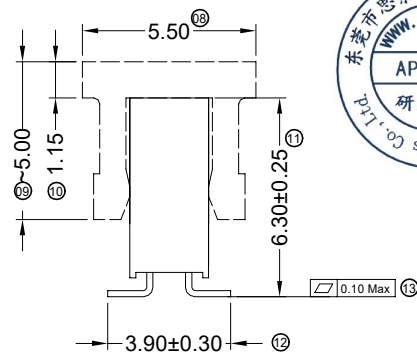
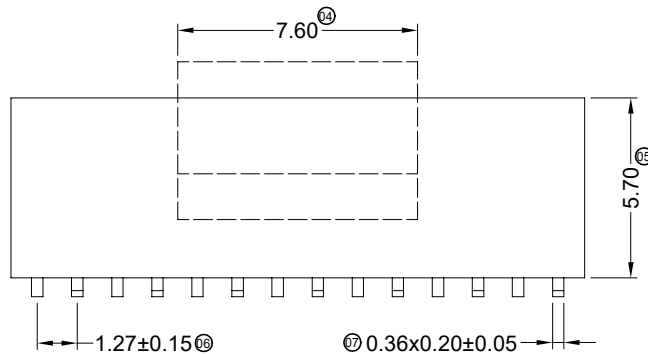
Recommended P.C.B Layout (A Type)  
General Tolerance±0.10



B Type



Recommended P.C.B Layout (B Type)  
General Tolerance±0.10



Specifications :

- Voltage rating: 500V AC / DC
- Current rating: 1A AC / DC
- Withstanding voltage: 500V AC/minute
- Temperature range: -40°C~+105°C
- Insulation resistance: ≥500MΩ
- Contact resistance: ≤20mΩ
- After environmental testing: ≤30mΩ

- Material(Terminal): Phosphor Bronze
- Mates With SWB Pin Header: 1271W

1271 F V SX-XX D-6T V01BK

- ① ② ③ ④ ⑤ ⑥ ⑦ ⑧ ⑨

- ① Series No.
- ② Category: F-Female Wafer
- ③ Welding Board Angle: V-180°
- ④ Welding Way: SA-SMT A Type  
SB-SMT B Type
- ⑤ Row No.-Pin No.: XX-Single Row
- ⑥ Special No.: D-Plastic Height=2.50mm
- ⑦ Material: 6T-PA6T 94V-0
- ⑧ Plating Category: V01-Gold Flash
- ⑨ Color : Bk-Black Color

Poles	Dimensions(mm)		Poles	Dimensions(mm)	
	A	B		A	B
02	1.27	2.94	16	19.05	20.72
03	2.54	4.21	17	20.32	21.99
04	3.81	5.48	18	21.59	23.26
05	5.08	6.75	19	22.86	24.53
06	6.35	8.02	20	24.13	25.80
07	7.62	9.29	21	25.40	27.07
08	8.89	10.56	22	26.67	28.34
09	10.16	11.83	23	27.94	29.61
10	11.43	13.10	24	29.21	30.88
11	12.70	14.37	25	30.48	32.15
12	13.97	15.64	26	31.75	33.42
13	15.24	16.91	27	33.02	34.69
14	16.51	18.18	28	34.29	35.96
15	17.78	19.45	29	35.56	37.23

GENERAL TOLERANCE					APPROVAL	CHECK	DRAWN	DATE	PART NO.					
.X ±0.30									1271FVSX-XXD-6TV01BK					
.XX ±0.20					TITLE									
.XXX ±0.10					1.27mm Female Header Style Connector									
X° ±2°					UNIT									
PROJECT					SCALE									
PROJECT					SHEET									
PROJECT					REV									
PROJECT					NUMBER									
2020/08/08	B		Update Drawing Frame	Xue	Robing									
DATE	REV	ECN NO	DESCRIPTION	MODIFY	APPROVAL			Mandy	2019/07/25					

