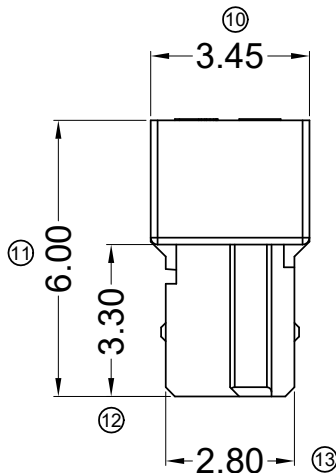
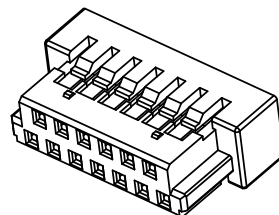
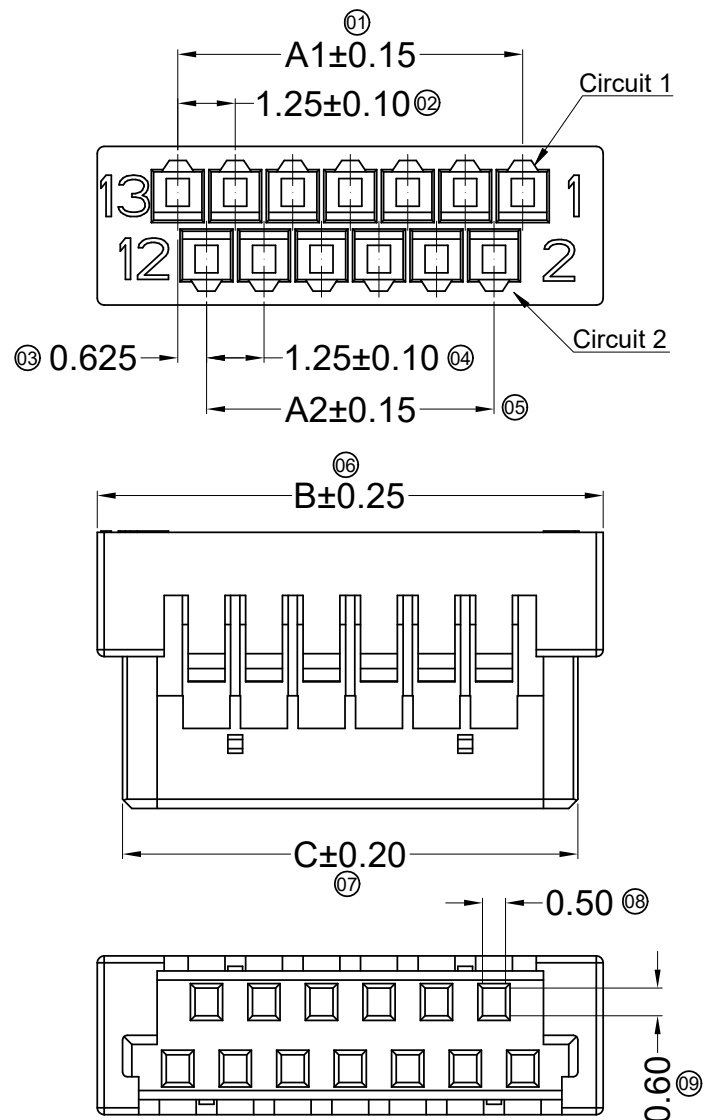


RoHS

本产品符合我司QA-3-04-005
环境管理物质标准规范

成品工程图



■ Specifications :

- Voltage rating: 200V AC / DC
- Current rating: 1A AC / DC
- Withstanding voltage: 500V AC/minute
- Temperature range: $-40^{\circ}\text{C} \sim +105^{\circ}\text{C}$
- Insulation resistance: $\geq 100\text{M}\Omega$
- Contact resistance: $\leq 40\text{m}\Omega$
- After environmental testing: $\leq 50\text{m}\Omega$
- Suitable SWB Terminal: 1255T
- Mates With SWB Wafer: 1255W



1255 H X - XX X - N0 XX

① ②③ ④⑤ ⑥ ⑦

- ① Series No.
- ② Category: H-HSG
- ③ Connector type: Blank-ordinary
- ④ Row No.-Pin No per row: XX-05P~41P
- ⑤ Special No.
- ⑥ Material: N0-PA66 94V-0
- ⑦ Color: Blank-Natural Color Black

Poles	Dimensions (mm)				Poles	Dimensions (mm)			
	A1	A2	B	C		A1	A2	B	C
05	2.50	1.25	6.00	4.90	17	10.00	8.75	13.50	12.40
07	3.75	2.50	7.25	6.15	19	11.25	10.00	14.75	13.65
09	5.00	3.75	8.50	7.40	21	12.50	11.25	16.00	14.90
11	6.25	5.00	9.75	8.65	31	18.75	17.50	22.25	21.15
13	7.50	6.25	11.00	9.90	41	25.00	23.75	28.50	27.40
15	8.75	7.50	12.25	11.15					

日期	版次	变更编号	变更内容说明	变更人	核准
2020.3.25	C	EN20200514001	Update Drawing Frame, The Same ECR And ECN NO.	YYting	Robing

一般公差	
.X	± 0.20
.XX	± 0.15
.XXX	± 0.08
X. $^{\circ}$	$\pm 2^{\circ}$


东莞市思索连接器有限公司
SWB CONNECTORS CO.,LTD

核准: Robing 审查: YYting 制作: Alan qin 日期: 2018/01/29

料号: 1255H-XX-N0				
名称: 1.25mm Crimp Style Connectors				
单位	比例	页次	版本	供应商编号
mm	1:1	1/1	C	A-022

RoHS

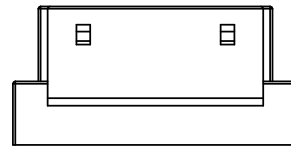
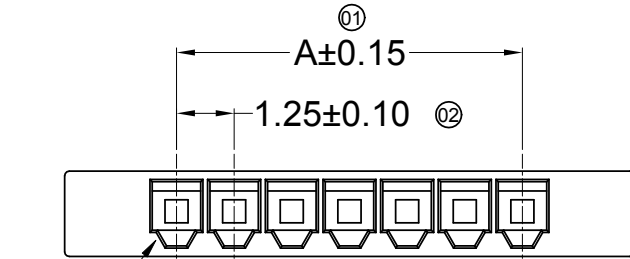
This products can apply to the SWB Doc NO. QA-3-04-005 of Environmental&Material Management Rules

Specifications :

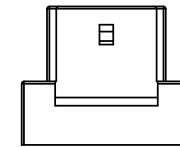
- Voltage rating: 200V AC / DC
- Current rating: 1A AC / DC
- Withstanding voltage: 500V AC/minute
- Temperature range: -40°C~+105°C
- Insulation resistance: ≥100MΩ
- Contact resistance: ≤40mΩ
- After environmental testing: ≤80mΩ
- Suitable SWB Terminal: 1255T
- Mates With SWB Wafer: 1255W

1255 H X - 1*XX X - N0 XX XX
 ① ②③ ④ ⑤ ⑥ ⑦ ⑧

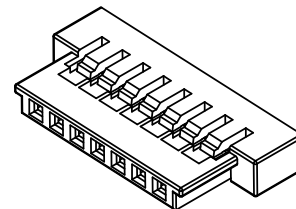
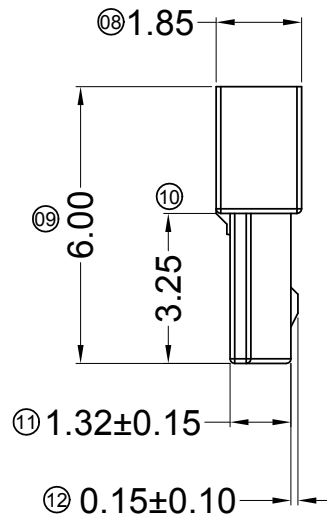
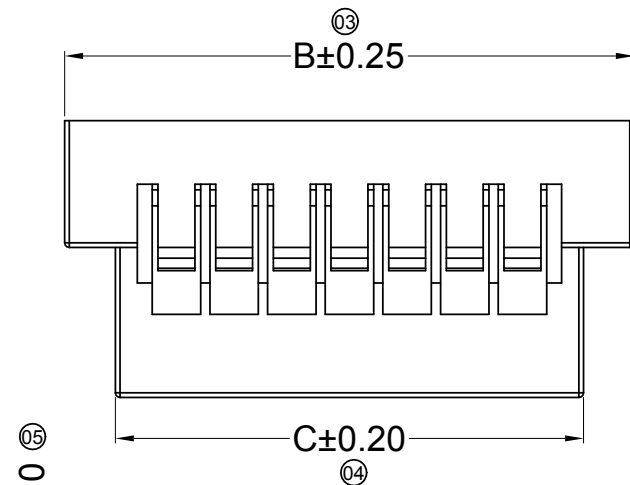
- ① Series No.
- ② Category: H-HSG
- ③ Connector type: Blank-ordinary
- ④ Row No.-Pin No per row: 1*XX-1*02P~1*30P
- ⑤ Special No.:
- ⑥ Plastic material: N0-PA66 94V-0
- ⑦ Color: Blank-natural color
- ⑧ Blank-ROHS ; HF-Halogen free



4P~30P Double Salient
Scale 1:5



2P~3P Single Salient
Scale 1:5



Poles	Dimensions(mm)			Poles	Dimensions(mm)		
	A	B	C		A	B	C
02	1.25	6.10	3.90	11	12.50	17.35	15.15
03	2.50	7.35	5.15	12	13.75	18.60	16.40
04	3.75	8.60	6.40	13	15.00	19.85	17.65
05	5.00	9.85	7.65	14	16.25	21.10	18.90
06	6.25	11.10	8.90	15	17.50	22.35	20.15
07	7.50	12.35	10.15	16	18.75	23.60	21.40
08	8.75	13.60	11.40	20	23.75	28.60	26.40
09	10.00	14.85	12.65	25	30.00	34.85	32.65
10	11.25	16.10	13.90	30	36.25	41.10	38.90

					GENERAL TOLERANCE .X ±0.30 .XX ±0.20 .XXX ±0.10 X.° ±2°				东莞市思索连接器有限公司 SWB CONNECTORS CO.,LTD				PART NO. 1255H-1xXX-N0XX								
					APPROVAL Robing				CHECK YYting				DRAWN Wuxiaotao				DATE 2015/11/16				
					PROJECT 								TITLE 1.25mm Crimp Style Connectors								
2020.3.19	F	EN20200318002	Update Drawing Frame	YYting	Robing									UNIT	SCALE	SHEET	REV	NUMBER			
DATE	REV	ECN NO.	DESCRIPTION	MODIFY	APPROVAL									mm	1:1	1/1	F	A-022			

RoHS

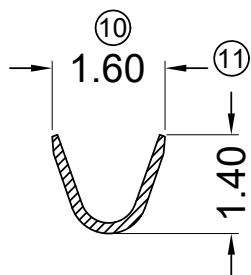
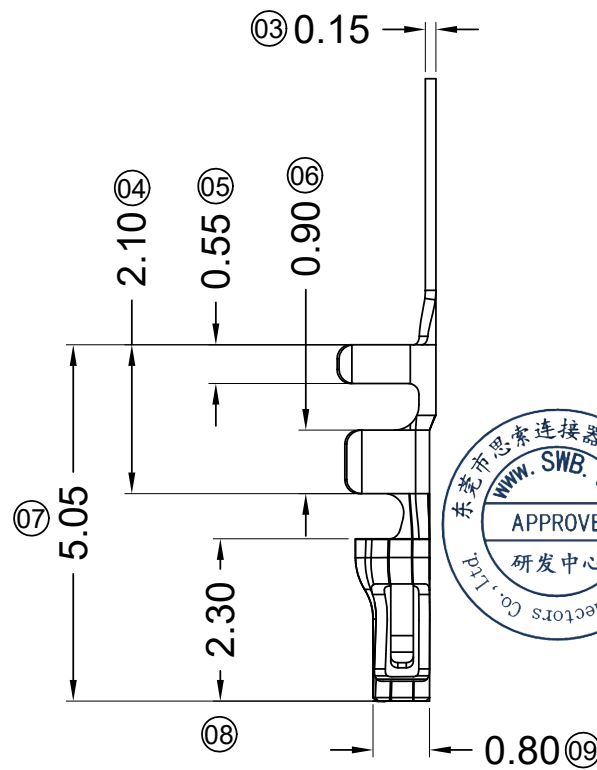
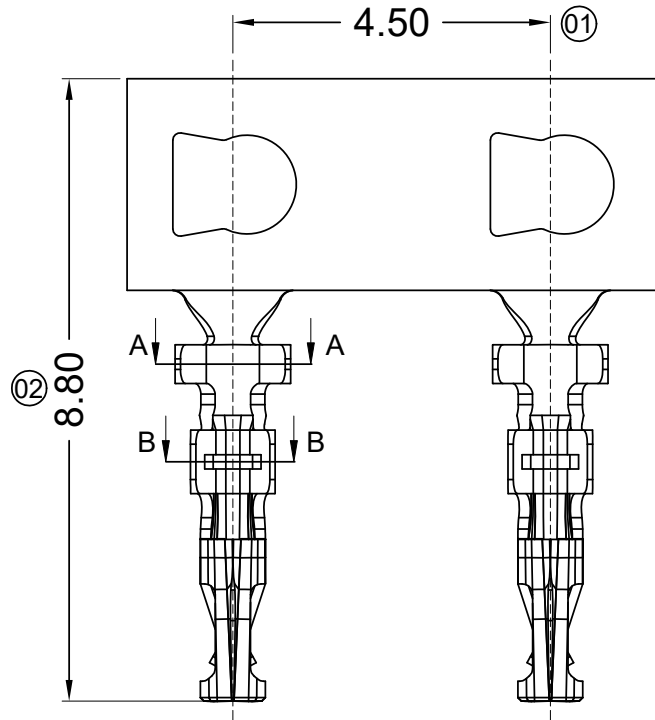
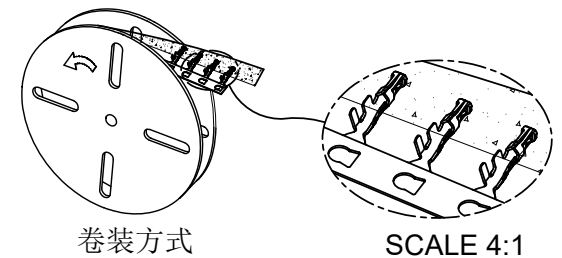
本产品符合我司QA-3-04-005
环境管理物质标准规范

成品工程图

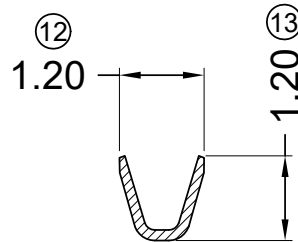
- Specifications :
- Voltage rating: 200V AC / DC
 - Current rating: 1A AC / DC
 - Withstanding voltage: 500V AC/minute
 - Temperature range: -40°C~+105°C
 - Insulation resistance: ≥100MΩ
 - Contact resistance: ≤40mΩ
 - After environmental testing: ≤80mΩ
 - Material(Pin): Phosphor bronze
 - Mates With SWB Housing: 1255H

1255 T X - P XX X - X
① ② ③ ④ ⑤ ⑥ ⑦

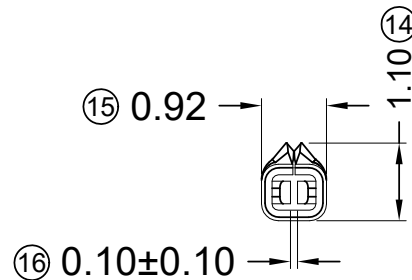
- ① Series Number
- ② Category: T-terminal
- ③ Shape: Blank-ordinary
- ④ Material: P-Phosphor bronze
- ⑤ Plating Code:
V01- Gold Flash
SN-Bright tin plating
- ⑥ Plating method:
Blank-Stamping before plating
- ⑦ Mold No./Mark/Special No.



SECTION A-A
SCALE 1:1



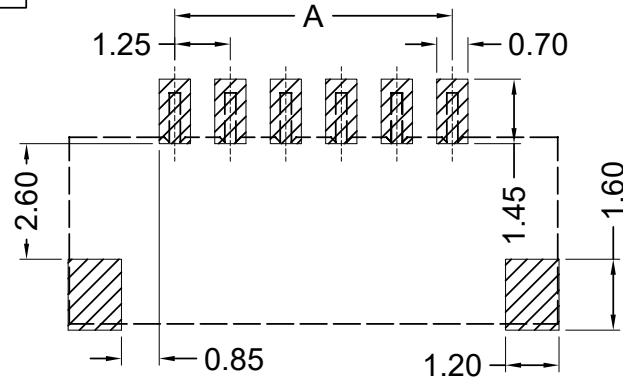
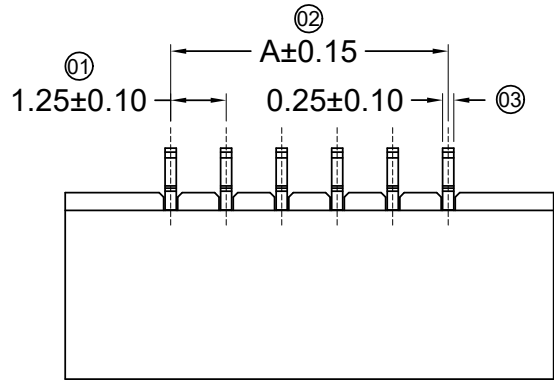
SECTION B-B
SCALE 1:1



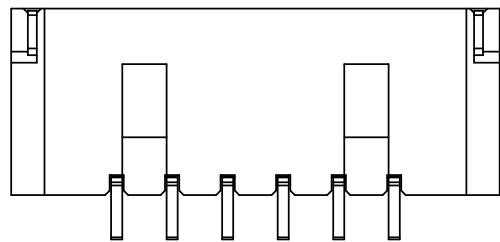
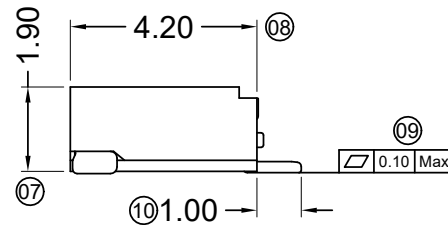
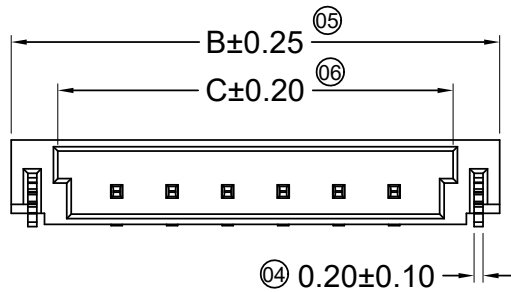
						<p>一般公差</p> <p>.X ±0.20</p> <p>.XX ±0.15</p> <p>.XXX ±0.08</p> <p>X.° ±2°</p>				<p>东莞市思索连接器有限公司</p> <p>SWB CONNECTORS CO.,LTD</p>				<p>料号: 1255T-PXX</p> <p>名称: 1.25mm Crimp Style Connectors</p>			
2020.3.25	D	EN20190920003	更新图框	YYting	Robing	核准	审查	制作	日期								
日期	版次	变更编号	变更内容说明	变更人	核准	Robing	Robing	Wuxiaotao	2014/05/10	单位	比例	页次	版本	供应商编号			
										mm	1:1	1/1	D	A-014			

RoHS

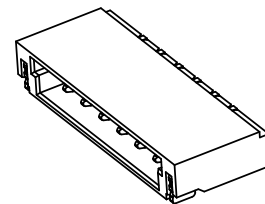
This products can apply to the SWB Doc NO. QA-3-04-005 of Environmental&Material Management Rules



Recommended P.C.B Layout
General Tolerance±0.05



Double Hole



■ Specifications :

- Voltage rating: 200V AC / DC
- Current rating: 1A AC / DC
- Withstanding voltage: 500V AC/minute
- Temperature range: -40°C~+105°C
- Insulation resistance: ≥100MΩ
- Contact resistance: ≤40mΩ
- After environmental testing: ≤80mΩ
- Material(Pin And Solder Tabs):Brass
- Mates With SWB Housing: 1255H

1255 W R S - 1*XX T - LP XX XX
① ② ③ ④ ⑤ ⑥ ⑦ ⑧ ⑨

- ① Series No.
- ② Category: W-wafer
- ③ Connector type: R- Right Angle 90°
- ④ Mounting type: S-SMT
- ⑤ Row No.-Pin No per row 1*XX-04P~08P
- ⑥ Special No.: T-Double Hole
- ⑦ Material: LP-LCP 94V-0
- ⑧ Plating Code: V01-Gold Flash;
SW-Matte Tin plating
- ⑨ Color: Blank-natural color

Poles	Dimensions(mm)		
	A	B	C
04	3.75	8.50	6.40
05	5.00	9.75	7.65
06	6.25	11.00	8.90
08	8.75	13.50	11.40

					<p>GENERAL TOLERANCE</p> <p>.X ±0.30</p> <p>.XX ±0.20</p> <p>.XXX ±0.10</p> <p>X.° ±2°</p>				<p>东莞市思索连接器有限公司</p> <p>SWB CONNECTORS CO.,LTD</p>				<p>PART NO.</p> <p>1255WRS-1*XXT-LPXX</p>				
A	2022.04.07	B1	EN20220407001	Update Drawing	Jane	Larry	APPROVAL				CHECK	DRAWN	DATE	TITLE 1.25mm Crimp Style Connectors			
	2020.5.14	B	EN20200514001	Update Drawing Frame	YYting	Robing	Larry	Jane	Wuxiaotao	2014/05/10	UNIT SCALE SHEET REV NUMBER						
DATE	REV	ECN NO.	DESCRIPTION	MODIFY	APPROVAL	PROJECT						mm	1:1	1/1	B1	A-082	

