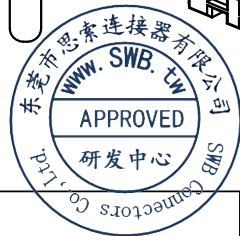
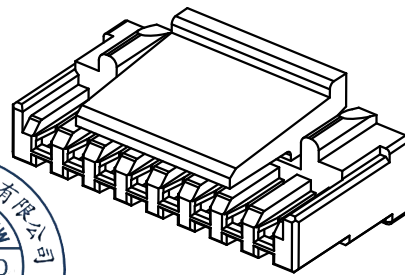
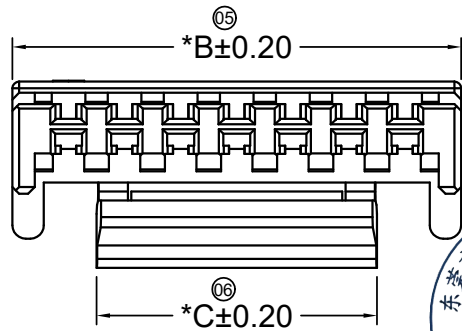
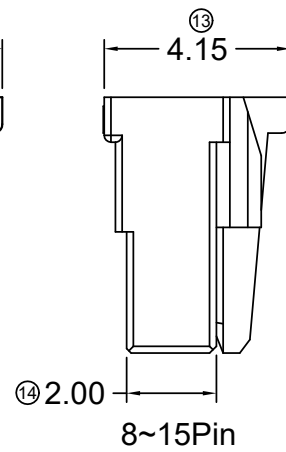
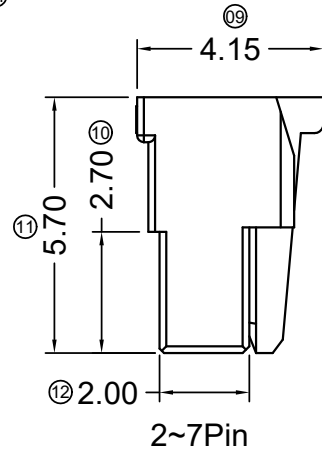
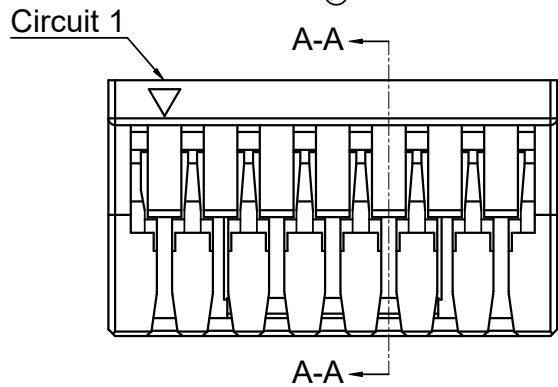
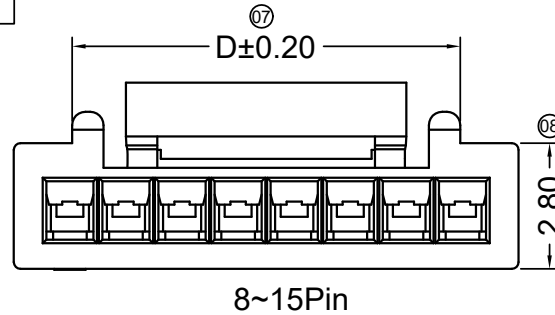
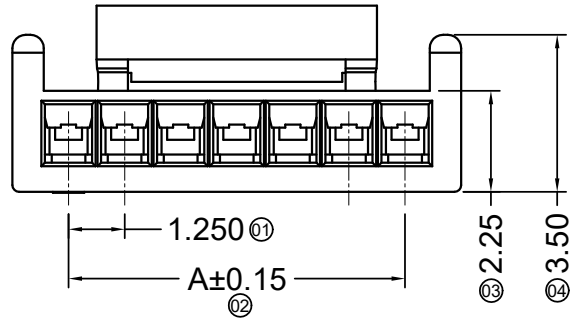


RoHS

This products can apply to the SWB Doc NO. QA-3-04-005 of Environmental&Material Management Rules



Specifications :

- Voltage rating: 50V AC / DC
- Current rating: 1A AC / DC
- Withstanding voltage: 500V AC/minute
- Temperature range: -40°C~+105°C
- Insulation resistance: ≥100MΩ
- Contact resistance: ≤30mΩ
- After environmental testing: ≤50mΩ
- Suitable SWB Terminal: 1251T-B
- Suitable SWB Wafer: 1251W

1251 H X - XX B - N0 HF
 (1) (2)(3) (4) (5) (6) (7)

- ① Series No.
- ② Category: H-HSG
- ③ Connector type: Blank-ordinary
- ④ Row No.-Pin No per row: XX-02P~15P
- ⑤ Special No.: Blank-ordinary
B-Special Package
- ⑥ Material: N0-PA66 94V-0
- ⑦ HF-Halogen free

Poles	Dimensions (mm)				Poles	Dimensions (mm)			
	A	B	C	D		A	B	C	D
02	1.25	3.75	2.10	/	09	10.00	12.50	6.25	8.65
03	2.50	5.00	3.00	/	10	11.25	13.75	8.20	10.70
04	3.75	6.25	4.05	/	11	12.50	15.00	8.20	10.70
05	5.00	7.50	4.25	/	12	13.75	16.25	8.20	10.70
06	6.25	8.75	6.25	/	13	15.00	17.50	8.20	10.70
07	7.50	10.00	6.25	/	14	16.25	18.75	8.20	10.70
08	8.75	11.25	6.25	8.65	15	17.50	20.00	8.20	10.70

					GENERAL TOLERANCE .X ±0.30 .XX ±0.20 .XXX ±0.10 X.° ±2°				东莞市思索连接器有限公司 SWB CONNECTORS CO.,LTD				PART NO. 1251H-XXX-N0HF								
					APPROVAL Robing				CHECK YYting				DRAWN YYting				DATE 2019.5.14				
					PROJECT 								TITLE 1.25mm Crimp Style Connectors								
2020.3.20	C	EN20190727001	Update Drawing Frame, The Same ECR And ECN NO.	YYting	Robing									UNIT	SCALE	SHEET	REV	NUMBER			
DATE	REV	ECN NO.	DESCRIPTION	MODIFY	APPROVAL									mm	1:1	1/1	C	A-308			

RoHS

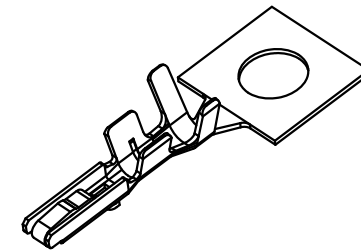
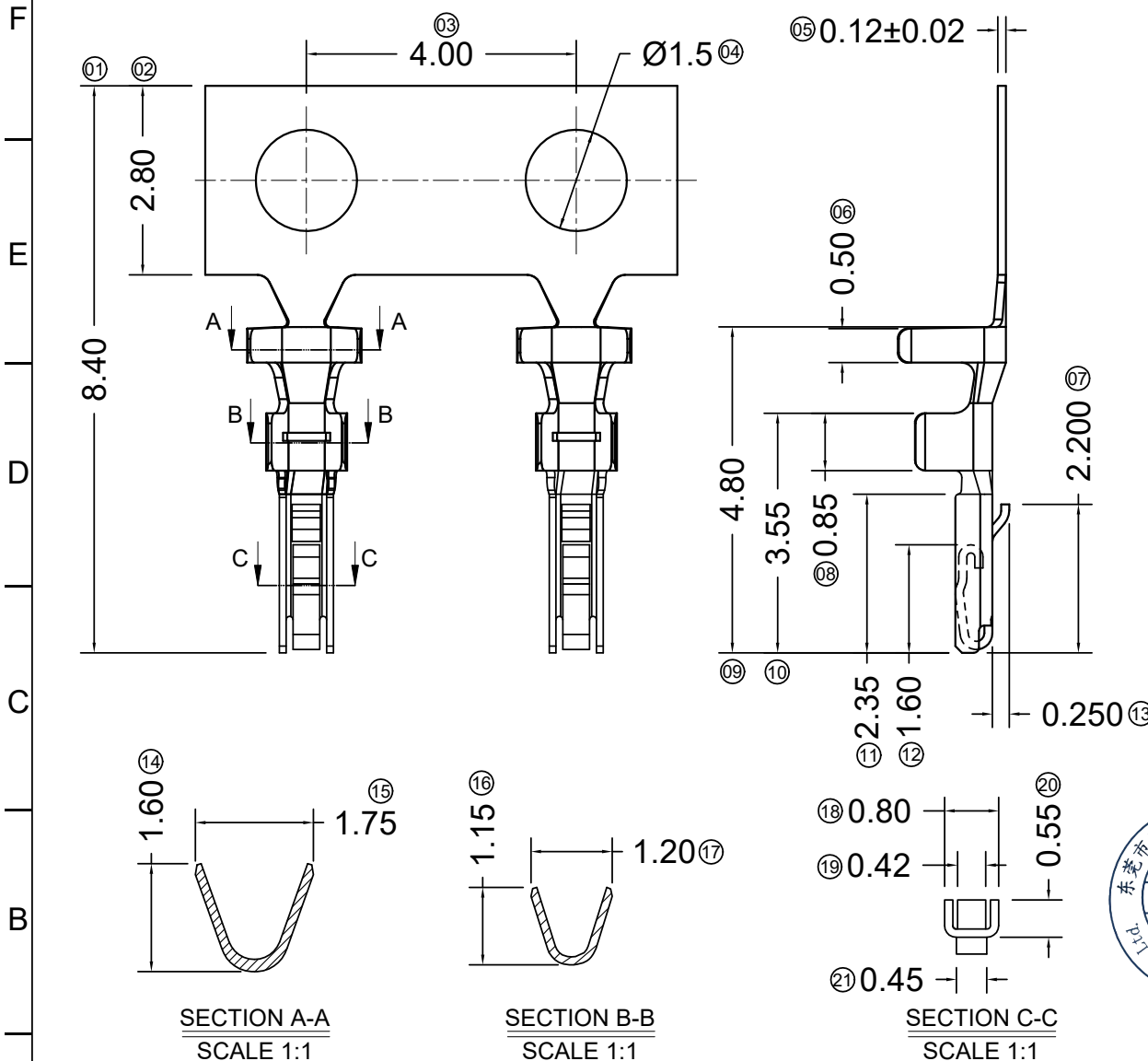
This products can apply to the SWB Doc NO. QA-3-04-005 of Environmental&Material Management Rules

■ Specifications :

- Voltage rating: 50V AC / DC
- Current rating: 1A AC / DC
- Withstanding voltage: 500V AC/minute
- Temperature range: -25°C~+85°C
- Insulation resistance:≥100MΩ
- Contact resistance: ≤30mΩ
- After environmental testing: ≤50mΩ
- Material(Pin): Phosphor bronze
- Wire Size:AWG # 26~30 (0.13~0.05mm²)
- Insulation Ø O.D.:1.00mm (Max)
- Mates With SWB Housing: 1251H

1251 T X - P XX X - B
 ① ②③ ④ ⑤ ⑥ ⑦

- ① Series Number
- ② Category: T-terminal
- ③ Shape: Blank-ordinary
- ④ Material: P-Phosphor bronze
- ⑤ Plating code: V01-Gold Flash ; SN-Bright tin plating
- ⑥ Plating method: Blank-Stamping before plating
- ⑦ Mold No./Mark/Special No.



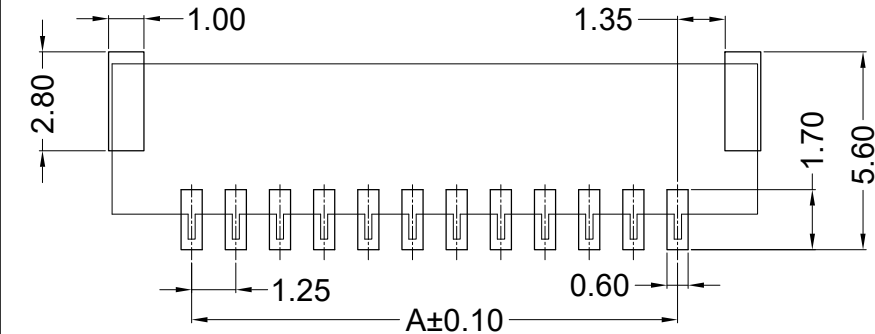
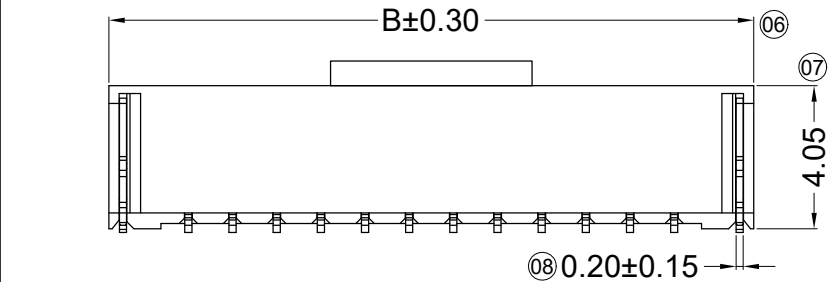
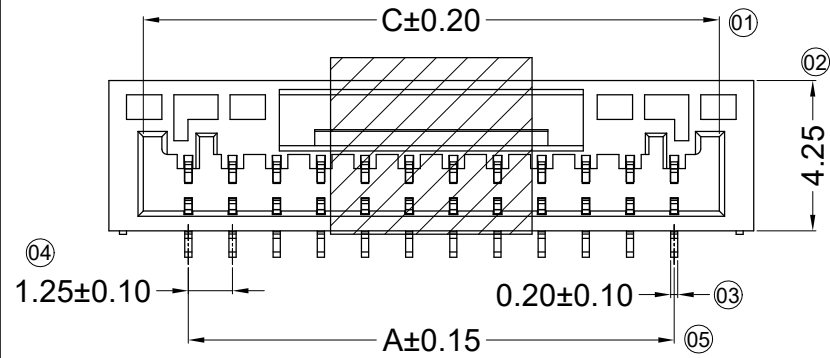
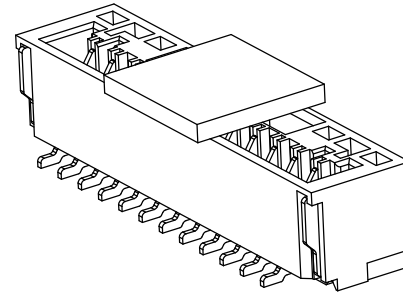
					GENERAL TOLERANCE .X ±0.30 .XX ±0.20 .XXX ±0.10 X.° ±2°				东莞市思索连接器有限公司 SWB CONNECTORS CO.,LTD				PART NO. 1251T-PXX-B												
					APPROVAL Robing				CHECK YYting				DRAWN HAILI.WANG				DATE 2019.5.14				TITLE 1.25mm Crimp Style Connectors				
2020.3.24	B	ER20191105002	Update Drawing Frame, The Same ECR And ECN NO.		YYting	Robing	PROJECT	Robing	YYting	HAILI.WANG	2019.5.14	UNIT	SCALE	SHEET	REV	NUMBER	mm	1:1	1/1	B	A-308				
DATE	REV	ECN NO.	DESCRIPTION		MODIFY	APPROVAL	PROJECT	Robing	YYting	HAILI.WANG	2019.5.14	UNIT	SCALE	SHEET	REV	NUMBER	mm	1:1	1/1	B	A-308				

RoHS

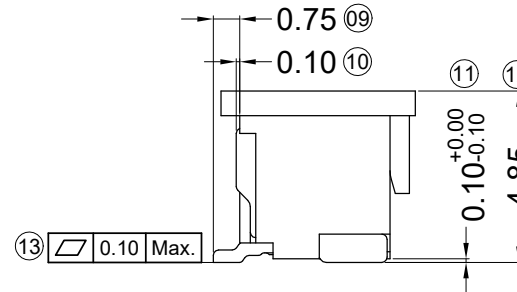
This products can apply to the SWB Doc NO. QA-3-04-005 of Environmental&Material Management Rules

■ Specifications :

- Voltage rating: 50V AC / DC
- Current rating: 1A AC / DC
- Withstanding voltage: 500V AC/minute
- Temperature range: -40°C~+105°C
- Insulation resistance: ≥100MΩ
- Contact resistance: ≤30mΩ
- After environmental testing: ≤50mΩ
- Material(Pin and Solder Tabs): Copper Alloy
- Mates With SWB Housing: 1251H



Recommended P.C.B Layout
General Tolerance±0.05



1251 W V S - XX XX - XX SW X -X
① ② ③ ④ ⑤ ⑥ ⑦ ⑧ ⑨ ⑩

- ① Series No.
- ② Category: W-wafer
- ③ Connector Type: V- Straight 180°
- ④ Mouting Type: S-SMT
- ⑤ Row No.-Pin No Per Row: XX-02P~15P
- ⑥ Special No.: HF-Halogen free Blank-Rohs
- ⑦ Material: LP-LCP 94V-0 ; 9T-PA9T 94V-0
- ⑧ Plating Code: SW-Matte Tin plating
- ⑨ Color: Blank-Natural color R-Red color
L-Blue color B-Black color
- ⑩ Package: Blank-Nature Reel

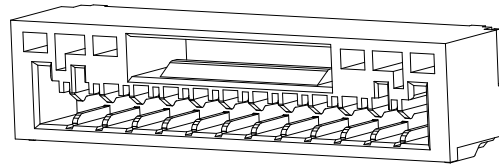


Poles	Dimensions(mm)			Poles	Dimensions(mm)		
	A	B	C		A	B	C
02	1.25	5.75	3.80	09	10.00	14.50	12.55
03	2.50	7.00	5.05	10	11.25	15.75	13.80
04	3.75	8.25	6.30	11	12.50	17.00	15.05
05	5.00	9.50	7.55	12	13.75	18.25	16.30
06	6.25	10.75	8.80	13	15.00	19.50	17.55
07	7.50	12.00	10.05	14	16.25	20.75	18.80
08	8.75	13.25	11.30	15	17.50	22.00	20.05

2021/04/09	D1	/	Update Drawing	Jane	Larry	东莞市思索连接器有限公司 SWB CONNECTORS CO.,LTD	PART NO. 1251WVS-XXXX-XXSWX-X							
2020/9/25	D	EN20200925001	Renewal CAP Measure	YYTing	Robing		TITLE 1.25mm Crimp Style Connectors							
2020/6/20	C	/	Add PA9T Red/Blue Color P/N Add ESD Reel P/N	Mali	Robing		APPROVAL	CHECK	DRAWN	DATE				
DATE	REV	ECN NO.	DESCRIPTION	MODIFY	APPROVAL		Larry	Jane	Yu Wei	2017/8/14	UNIT	SCALE	SHEET	REV
										mm	1:1	1/1	D1	A-082

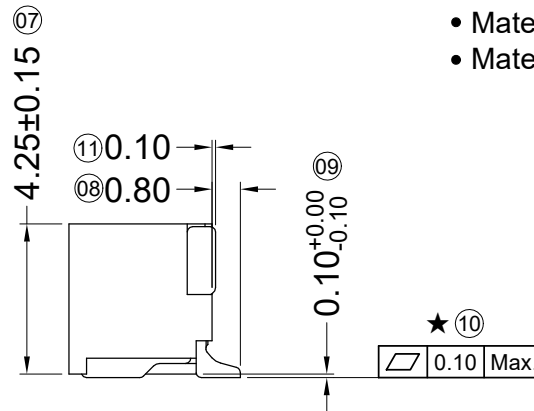
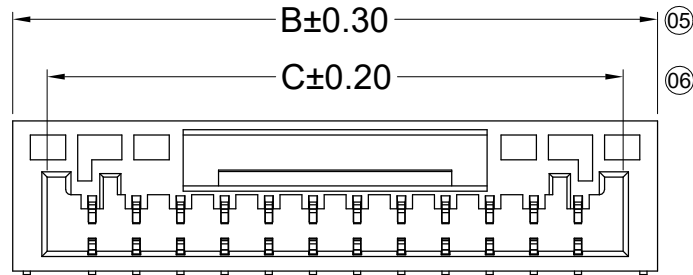
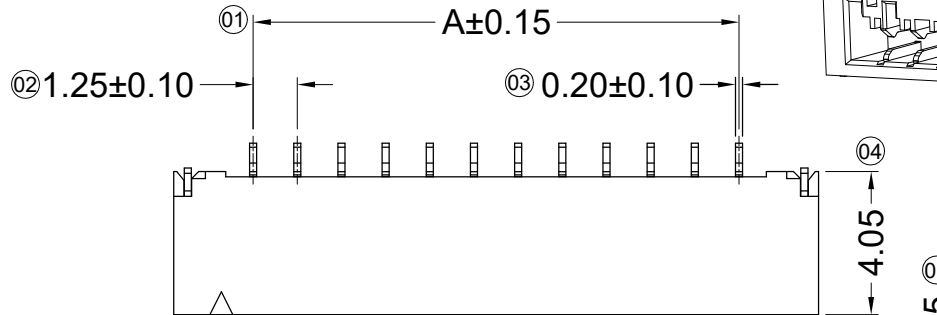
RoHS

This products can apply to the SWB Doc NO. QA-3-04-005 of Environmental&Material Management Rules



■ Specifications :

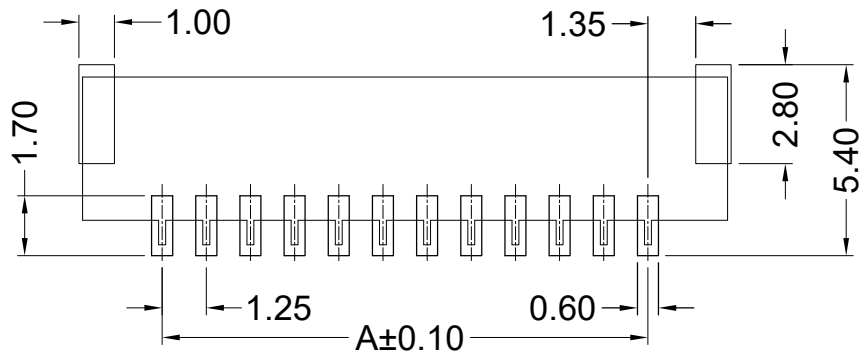
- Voltage rating: 50V AC / DC
- Current rating: 1A AC / DC
- Withstanding voltage: 500V AC/minute
- Temperature range: -40°C~+105°C
- Insulation resistance: ≥100MΩ
- Contact resistance: ≤30mΩ
- After environmental testing: ≤50mΩ
- Material(Pin and Solder Tabs): Copper Alloy
- Mates With SWB Housing: 1251H



1251 W R S - XX XX - XX SW XX -X
 ① ② ③ ④ ⑤ ⑥ ⑦ ⑧ ⑨ ⑩

- ① Series No.
- ② Category: W-wafer
- ③ Connector Type: R- Right Angle 90°
- ④ Mouting Type: S-SMT
- ⑤ Row No.-Pin No Per Row: XX-02P~15P
- ⑥ Special No.: HF-Halogen free Blank-Rohs
- ⑦ Material: LP-LCP 94V-0 ; 9T-PA9T 94V-0△
- ⑧ Plating Code: SW-Matte Tin plating
L-Blue color B-Black color
- ⑨ Color: Blank-Natural color R-Red color
- ⑩ Package: Blank-Nature Reel
△C-Black Reel / ESD

★ ⑩
 0.10 Max.



Recommended P.C.B Layout
 General Tolerance±0.05

Poles	Dimensions(mm)			Poles	Dimensions(mm)		
	A	B	C		A	B	C
02	1.25	5.75	3.80	09	10.00	14.50	12.55
03	2.50	7.00	5.05	10	11.25	15.75	13.80
04	3.75	8.25	6.30	11	12.50	17.00	15.05
05	5.00	9.50	7.55	12	13.75	18.25	16.30
06	6.25	10.75	8.80	13	15.00	19.50	17.55
07	7.50	12.00	10.05	14	16.25	20.75	18.80
08	8.75	13.25	11.30	15	17.50	22.00	20.05

DATE	REV	ECN NO.	DESCRIPTION	MODIFY	APPROVAL	PROJECT
2021/04/09	C1	/	Update Drawing	Jane	Larry	GENERAL TOLERANCE
2020/6/20	C	/	Add PA9T Red/Blue Color P/N Add ESD Reel P/N	YYTing	Robing	.X ±0.30
2020/3/24	B	EN202000324001	Update Drawing Frame	YYTing	Robing	.XX ±0.20
						.XXX ±0.10
						X.° ±2°



PART NO.				
1251WRS-XXXX-XXSWXX-X				
TITLE				
1.25mm Crimp Style Connectors				
UNIT	SCALE	SHEET	REV	NUMBER
mm	1:1	1/1	C1	A-082

F
E
D
C
B
A

F
E
D
C
B
A