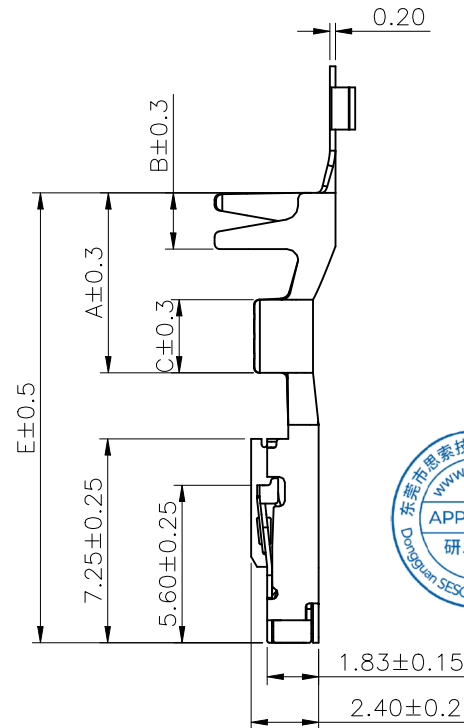
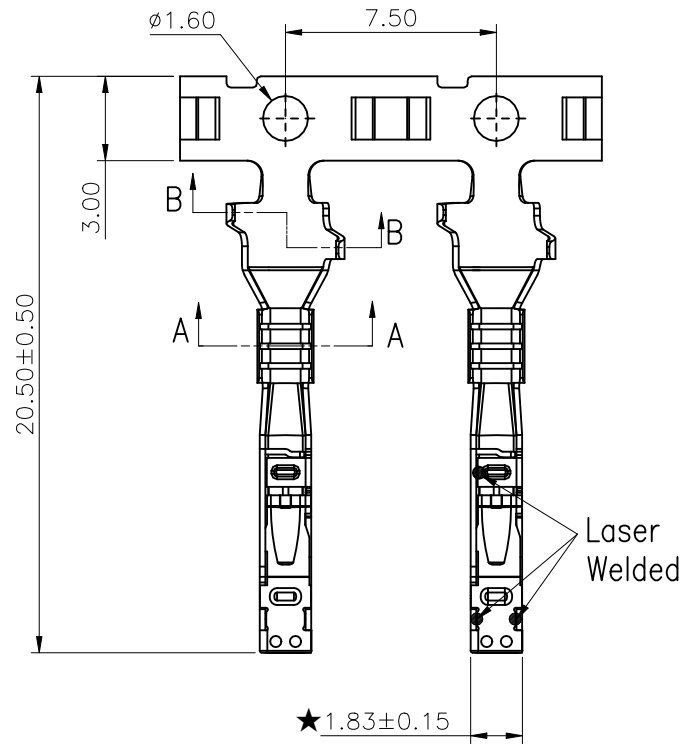


RoHS

This products can apply to the SESO Doc NO. QA-3-04-005 of Environmental&Material Management Rules

RD-1

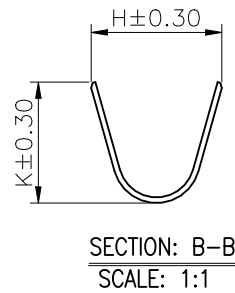
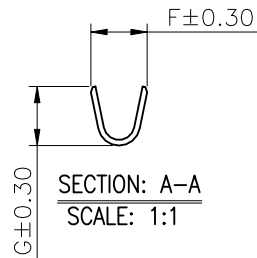


Specifications:

- Current Rating: 16A Max. AC/DC
- Temperature Range: -40°C~+125°C
- Contact Resistance: <math>\leq 20m\Omega</math>
- Packaging Drawing: PK-1204TXF
- Product Specification: PS-1204-01
- Symbols for SPC Dimensions: "★"

1204 T X F- H XXX X  
① ② ③ ④ ⑤ ⑥ ⑦

- ① Series No.
- ② Category: T-terminal
- ③ Shape: Blank-Common Feet ;  
H-High Feet ;
- ④ Connector Type: F-Female terminal
- ⑤ Material: H-Copper Alloy
- ⑥ Plating Code:  
Y2-40~120u"(1~3um) TIN
- ⑦ Plating Process: B-Stamping After Plating  
Blank-Stamping Before Plating



1204TF-HY2B	0.5~0.75mm <sup>2</sup> (FLR)	1.40~1.90mm	6.10	2.00	3.00	16.0	2.00	2.10	2.70	2.90
1204THF-HY2B	1.0~1.5mm <sup>2</sup> (FLR)	1.90~2.40mm	6.10	2.00	3.00	16.0	2.60	2.90	3.70	3.90
Part No.	Wire Range	Insulation O.D.	A	B	C	E	F	G	H	K

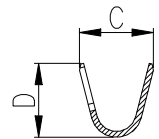
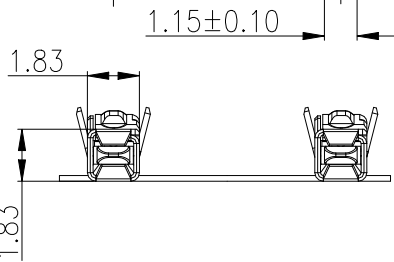
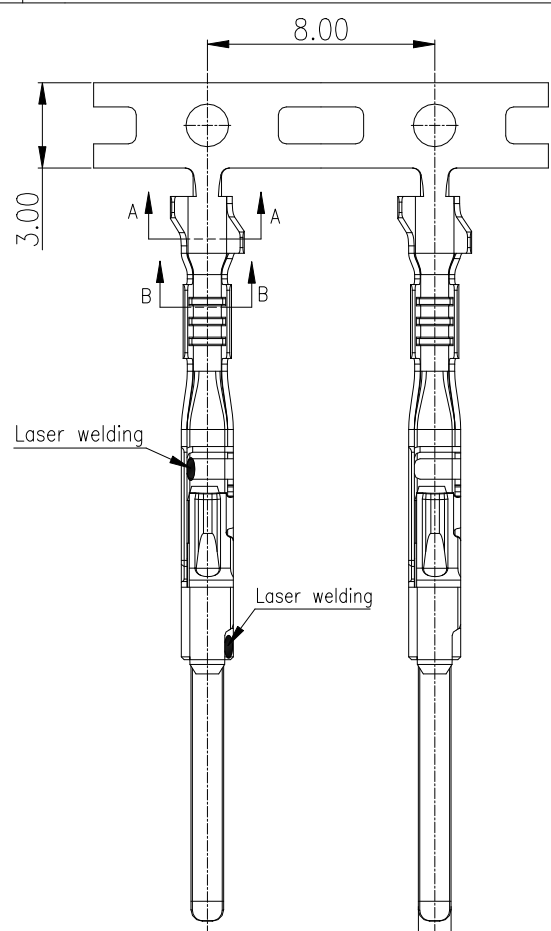
2023/08/24	X0	/	Initial release	/	Larry Yang
DATE	REV	ECN NO.	DESCRIPTION	MODIFY	APPROVAL

GENERAL TOLERANCE				东莞市思索技术有限公司 Dongguan SESO Technology Co.,Ltd.	PART NO. 1204TXF-HY2B			
.X	±0.10	APPROVAL			CHECK	DRAWN	DATE	
.XX	±0.05	PROJECT			Jack Zhang	Larry Yang	Joshua Lau	
.XXX	±0.03	APPROVAL			Jack Zhang	Larry Yang	Joshua Lau	
X.°	±2°	DATE			2023/08/24			

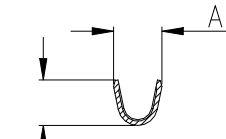
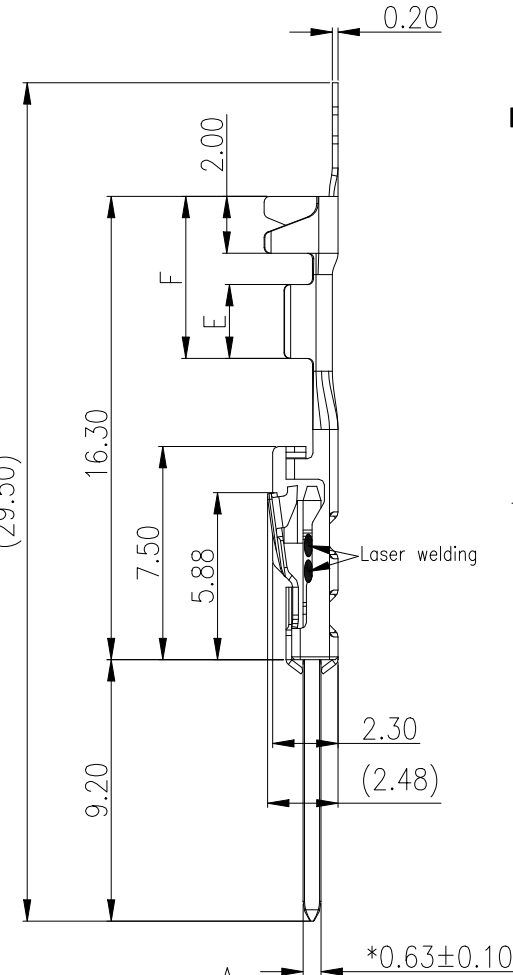
TITLE				
MCON 1.20mm Female Terminal				
UNIT	SCALE	SHEET	REV	NUMBER
mm	1:1	1/1	X0	CD

RoHS

This products can apply to the SESO Doc NO. QA-3-04-005 of Environmental&Material Management Rules



SECTION: A-A  
SCALE: 1:1



SECTION: B-B  
SCALE: 1:1

Specifications :

- Current rating: 16A MAX. AC / DC
- Temperature range: -40°C~+125°C
- Contact resistance: ≤20mΩ
- Packaging Drawing: PK-1204TXM-HXXX
- Product Specification: PS-1204-01

1204 T X M - H Y2 B  
① ②③④ ⑤ ⑥ ⑦

- ① Series No.
- ② Category:T-terminal
- ③ Shape:Blank-Common Feet ; H-High Feet ;
- ④ Connector Type: M-Male terminal
- ⑤ Material: H-Copper Alloy
- ⑥ Plating code: Y2-40~120u"(1.0~3.0um)Tin,
- ⑦ Plating Process: B-Stamping After Plating

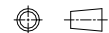


1204THM-HXXX	AWG#18~20 (0.75~0.50mm <sup>2</sup> )	1.60~1.90mm	2.10	2.20	2.80	3.00	3.00	6.10
1204TM-HXXX	AWG#22~24 (0.35~0.22mm <sup>2</sup> )	1.20~1.45mm	1.70	1.70	2.60	2.60	2.60	5.70
Part NO.	Wire Range	Insulation O.D.	DIM A	DIM B	DIM C	DIM D	DIM E	DIM F

GENERAL TOLERANCE

- .X ±0.35
- .XX ±0.25
- .XXX±0.15
- X.' ±2'

PROJECT



**SMS** 东莞市思索技术股份有限公司  
Dongguan SESO Technology Co.,Ltd.

APPROVAL	CHECK	DRAWN	DATE
Jason Huang	Larry Yang	Wangcheng	2022/08/03

PART NO. 1204TXM-HY2B

TITLE 1.20mm MQS Male Terminal

UNIT	SCALE	SHEET	REV	NUMBER
mm	1:1	1/1	X0	CD

DATE	REV	ECN NO.	DESCRIPTION	MODIFY	APPROVAL