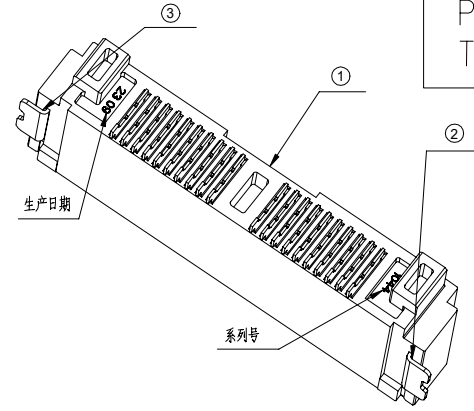


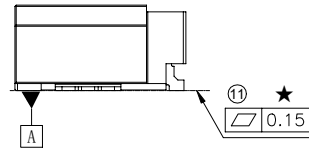
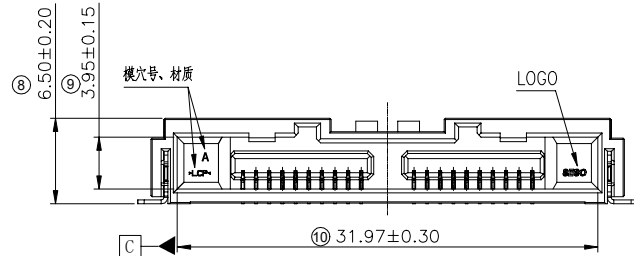
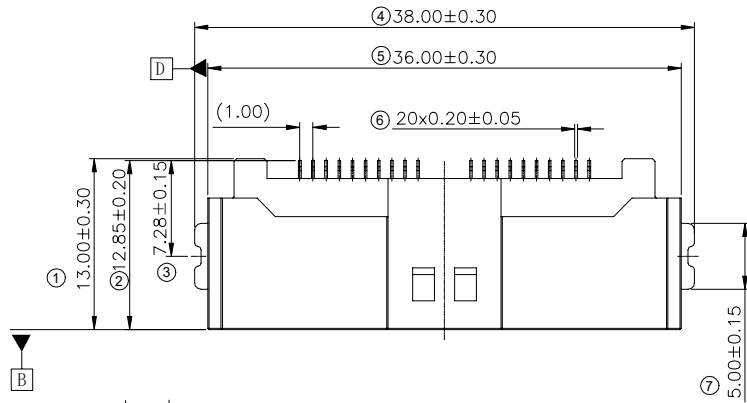
RoHS

This products can apply to the SESO Doc NO. QA-3-04-005 of Environmental&Material Management Rules

Preliminary drawing
This is subject to change without notice

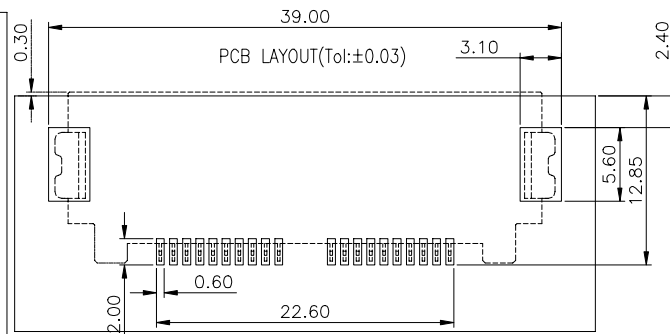
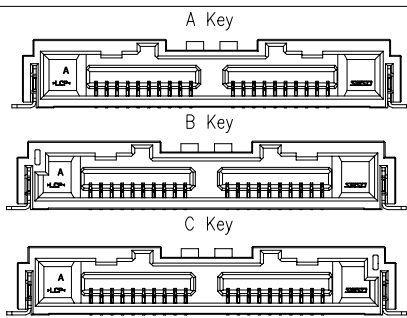


- Specifications :
- Current rating: 1A AC/DC
 - Current voltage: 200V
 - Withstanding voltage: 500V AC/minute
 - Temperature range: -40°C~+105°C
 - Insulation resistance: ≥100MΩ
 - Contact resistance: <30mΩ
 - Material(Pin): Phosphor bronze
 - Material(Housing): LCP
 - Symbols for SPC dimensions: "★"
- Packaging: Reel



1044 W R S -XX X -LP XXX X X
① ② ③ ④ ⑤ ⑥ ⑦ ⑧ ⑨ ⑩

- ① Series No.: 1044
- ② Category: W-Wafer
- ③ Connector Type: R-Right Angle 90°
- ④ Molding Type: SMT
- ⑤ Pin No.: 12 or 20 Pin
- ⑥ K No.: A-key A, B-key B, C-key C
- ⑦ Plastic Material: LP-LCP
- ⑧ Plating Code: GN3-Au 3u"Min;NI 50~100u"
- ⑨ Color: B-Black
- ⑩ Packing:R-Reel



2023.11.27	X1		Updated k-bit appearance	Mo	Zhang
2023.9.9	X0		First drawing	Mo	Zhang
DATE	REV	ECN NO.	DESCRIPTION	MODIFY	APPROVAL

GENERAL TOLERANCE	
.X	±0.35
.XX	±0.25
.XXX	±0.15
X.' ±2'	
PROJECT	

SMS 东莞市思索技术股份有限公司
Dongguan SESO Technology Co.,Ltd.

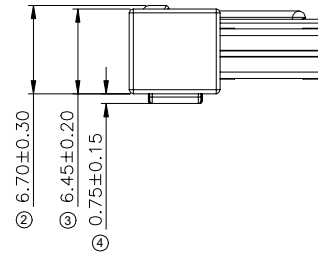
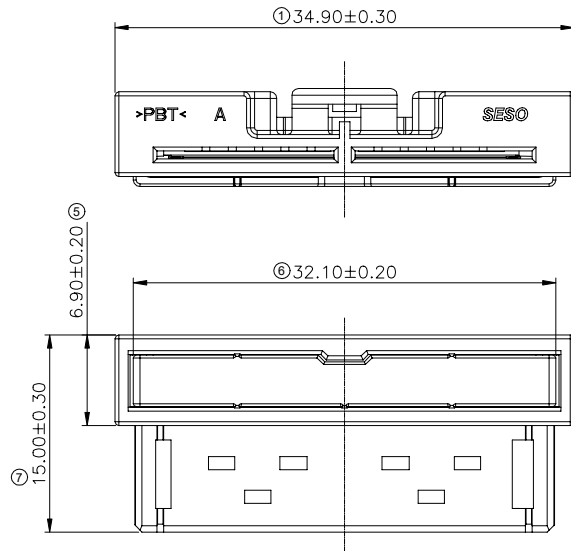
PART NO. 1044WRS-XXX-LPXXXXX				
TITLE 1044 Series 90° SMT				
UNIT	SCALE	SHEET	REV	NUMBER
mm	1:1	1/1	X1	CD

APPROVAL	CHECK	DRAWN	DATE
Zhang	Larry Yang	Mo	2023.09.09

RoHS

This products can apply to the SESO Doc NO. QA-3-04-005 of Environmental&Material Management Rules

Preliminary drawing
This is subject to change without notice

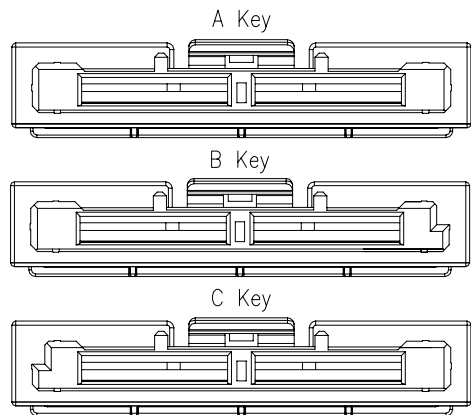
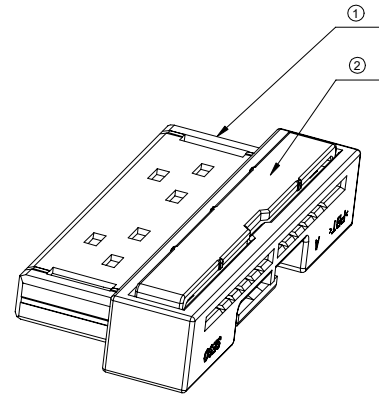


Specifications :

- Current rating: 1A AC/DC
 - Current voltage: 200V
 - Withstanding voltage: 500V AC/minute
 - Temperature range: -40°C~+105°C
 - Insulation resistance: ≥100MΩ
 - Contact resistance: <30mΩ
 - Material(Housing): PBT
 - Symbols for SPC dimensions: " ★ "
- Packaging: Tray

1044 A -XX X -PT XX X
① ② ③ ④ ⑤ ⑥ ⑦

- ① Series No.: 1044
- ② Category: A-HSG
- ③ Pin No.: 12 or 20 Pin
- ④ K No.: A-key A, B-key B, C-key C
- ⑤ Plastic Material: PT-PBT
- ⑥ Color: BK-Black
- ⑦ Packing:T-Tray



						GENERAL TOLERANCE				PART NO.																	
						.X ±0.35				1044A-XXX-PTXXX																	
						.XX ±0.25				TITLE																	
						.XXX±0.15				1044 Series HSG																	
						X.' ±2'				APPROVAL		CHECK		DRAWN		DATE											
2023.9.9	X0	/		First drawing		Mo		Zhang		Zhang		Larry Yang		Mo		2023.09.09											
DATE	REV			ECN NO.		DESCRIPTION		MODIFY		APPROVAL		PROJECT		UNIT		SCALE		SHEET		REV		NUMBER					
1										Zhang		Larry Yang		Mo		2023.09.09		mm		1:1		1/1		X0		CD	

SMS 东莞市思索技术股份有限公司
Dongguan SESO Technology Co.,Ltd.