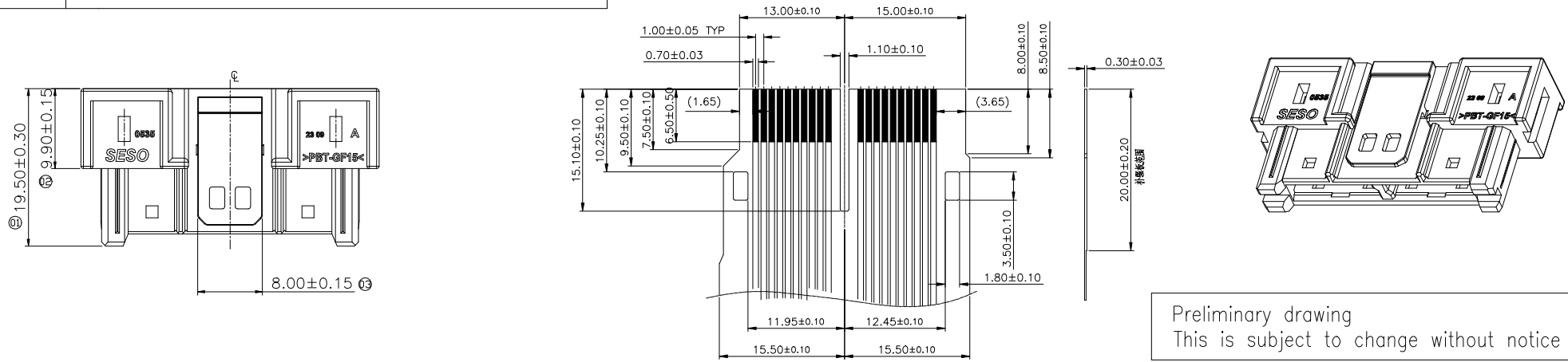


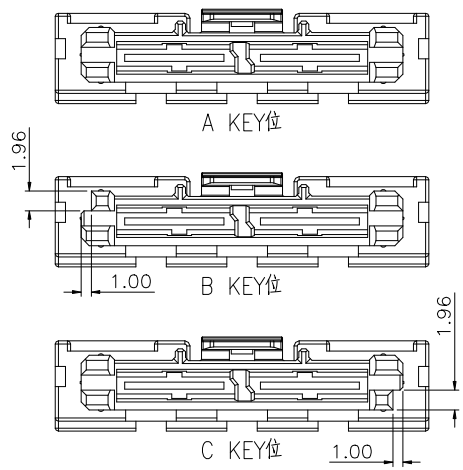
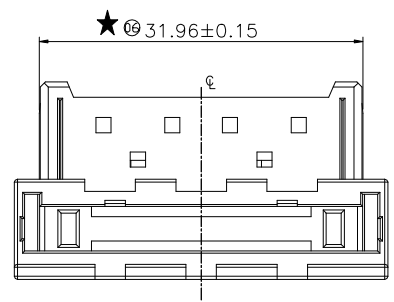
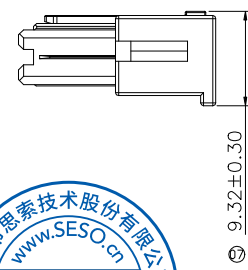
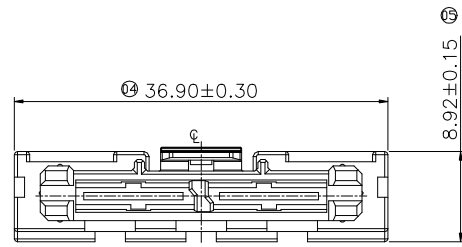
RoHS

This products can apply to the SESO Doc NO. QA-3-04-005 of Environmental&Material Management Rules



Recommended FFC Layout

Preliminary drawing  
This is subject to change without notice



- Specifications :**
- Current rating: 1A AC/DC
  - Withstanding voltage: 500V AC/minute
  - Temperature range: -40°C~+105°C
  - Insulation resistance: ≥100MΩ
  - Contact resistance: <30mΩ
  - Material(Housing): PBT
  - Symbols for SPC dimensions: "★"
  - Packaging: Bag

1044 H - 2\*XX X - PT XX  
① ② ③ ④ ⑤ ⑥

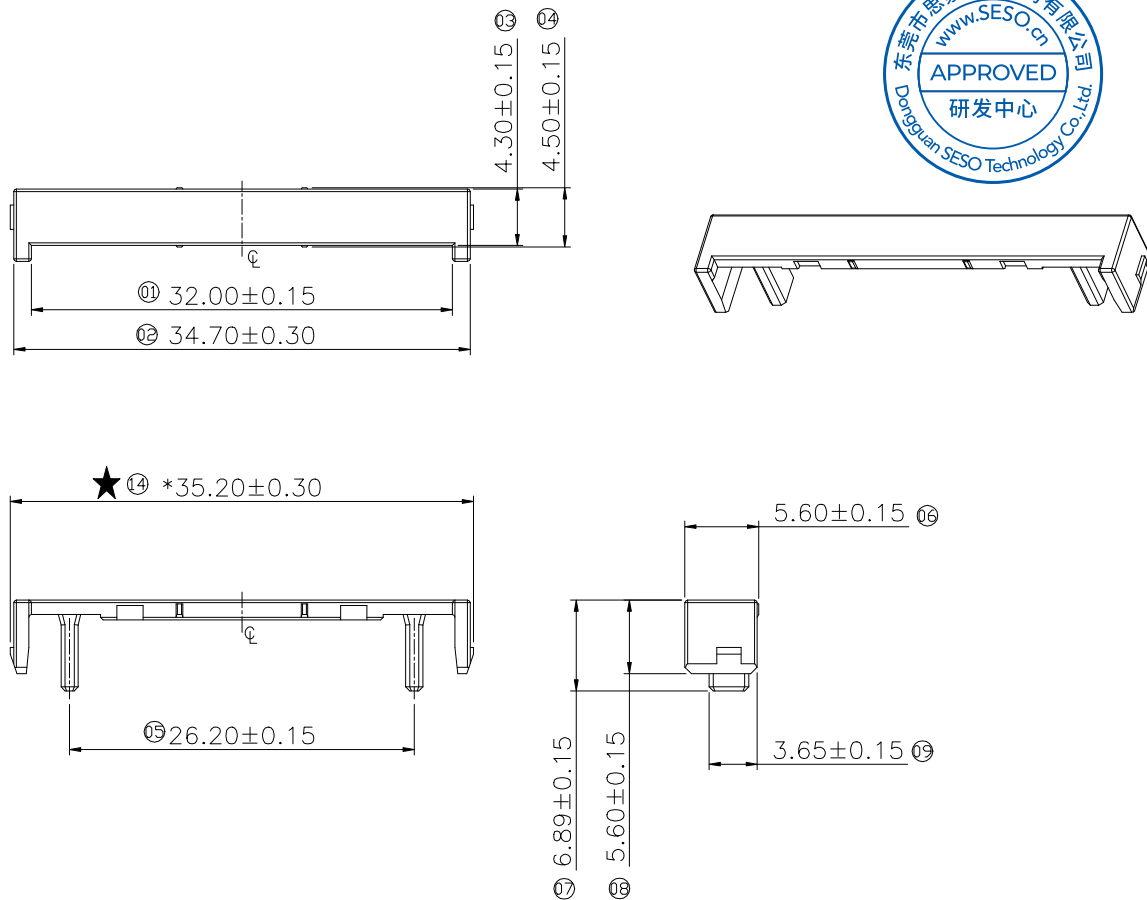
- ① Series No.: 1044
- ② H: HOUSING
- ③ Pin No.: 2\*XX—double row 2\*12~2\*20Pin
- ④ K No.: A—Key A, B—Key B, C—Key C
- ⑤ Plastic Material: PT—PBT
- ⑥ Color: BK—Black, NC—Natural, GY—Gray

A	2024.01.15	X2		update drawing	Eirc Xue	Zhang	<b>东莞市思索技术股份有限公司</b> Dongguan SESO Technology Co.,Ltd.				PART NO. 1044H-2*XXX-PTXX						
	2023.11.24	X1		update drawing	Eirc Xue	Zhang					TITLE 1044 double row Series HSG						
	2023.9.9	X0		First drawing	Eirc Xue	Zhang					APPROVAL	CHECK	DRAWN	DATE			
	DATE	REV	ECN NO.	DESCRIPTION	MODIFY	APPROVAL					PROJECT	Jack Zhang	Larry Yang	Eirc Xue	2023.09.09	UNIT	SCALE
											mm	1:1	1/1	X2	CD		

RoHS

This products can apply to the SESO Doc NO. QA-3-04-005 of Environmental&Material Management Rules

Preliminary drawing  
This is subject to change without notice



■ Specifications :

- Current rating: 1A AC/DC  
Withstanding voltage: 500V AC/minute
- Temperature range: -40°C~+105°C
- Insulation resistance: ≥100MΩ
- Contact resistance: ≤30mΩ
- Material(Retainer): PBT
- Symbols for SPC dimensions: "★"
- Packaging: Bag

1044 C - 2\*XX - PT XX-DY  
① ② ③ ④ ⑤ ⑥

- ① Series No.: 1044
- ② C: Retainer
- ③ Pin No.: 2\*XX—double row 2\*12~2\*20Pin
- ④ Plastic Material: PT—PBT
- ⑤ Color: NC—natural,
- ⑥ Special NO.: DY

					GENERAL TOLERANCE				PART NO.				
					.X ±0.35				1044C-2*XX-PTXX-DY				
					.XX ±0.25				TITLE				
					.XXX±0.15				1044 double row Series Retainer				
					X.' ±2'				APPROVAL				
					PROJECT				Zhang Larry Yang Eirc Xue 2023.09.09				
					PROJECT				UNIT				
					PROJECT				SCALE				
					PROJECT				SHEET				
					PROJECT				REV				
					PROJECT				NUMBER				
					PROJECT				mm				
					PROJECT				1:1				
					PROJECT				1/1				
					PROJECT				X0				
					PROJECT				CD				

**SMS** 东莞市思索技术股份有限公司  
Dongguan SESO Technology Co.,Ltd.

2023.9.9	X0		First drawing	Eirc Xue	Zhang
DATE	REV	ECN NO.	DESCRIPTION	MODIFY	APPROVAL

RoHS

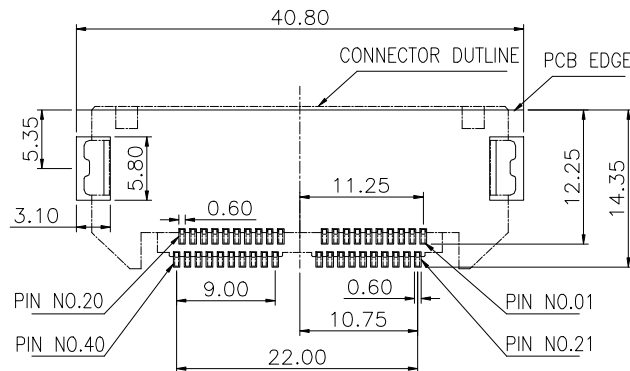
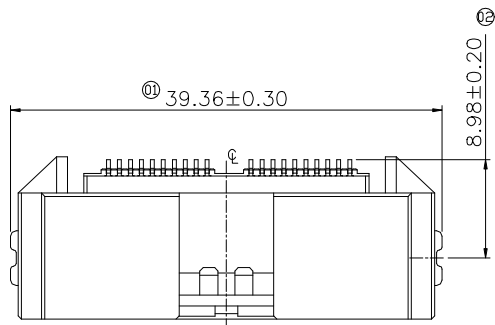
This products can apply to the SESO Doc NO. QA-3-04-005 of Environmental&Material Management Rules

1044 W R S -2\*XX X -LP XXX X X  
 ① ② ③ ④ ⑤ ⑥ ⑦ ⑧ ⑨ ⑩

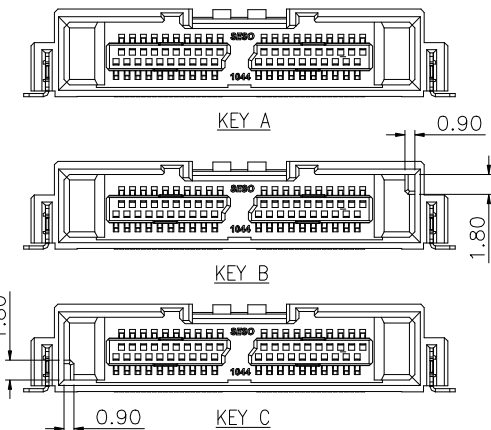
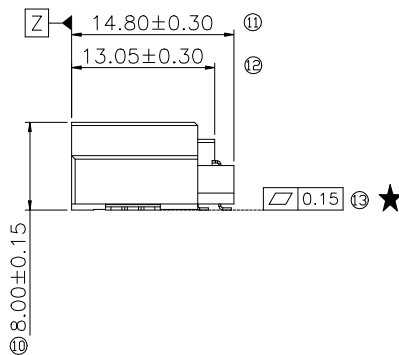
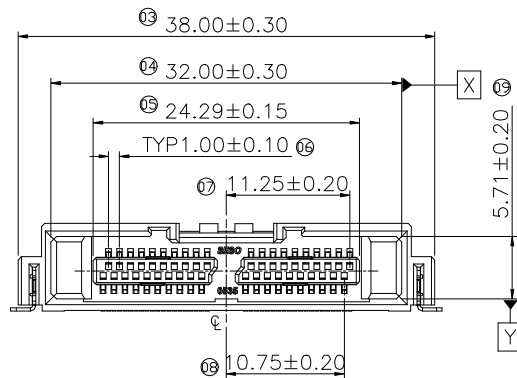
- ① Series No.:1044
- ② Category:W-Wafer
- ③ Connector Type: R-Right Angle 90°
- ④ Molding Type:S-SMT
- ⑤ Pin No.:2\*XX-double row 2\*12~2\*20Pin
- ⑥ Coding Key code:A-Key A, B-Key B, C-Key C
- ⑦ Plastic Material:LP-LCP UL94V-0
- ⑧ Plating Code:  
GN3-Au 3u"Min;Ni 50~100u"
- ⑨ Color:N-natural B-Black G-Gray
- ⑩ Packing:R-Reel

■ Specifications :

- Current rating: 1A AC/DC
- Withstanding voltage: 500V AC/minute
- Temperature range: -40°C~+105°C
- Insulation resistance: ≥100MΩ
- Contact resistance: <30mΩ
- Material(Pin): Copper alloy
- Material(Housing): LCP
- bolts for SPC dimensions: " ★ "
- Packaging: Reel



APPLICABLE P.C.B LAYOUT(REF.)  
 P.C.B THICKNESS t=1.6mm



					GENERAL TOLERANCE				PART NO.			
					.X ±0.35				1044WRS-2*XXX-LPXXXXX			
					.XX ±0.25				TITLE			
					.XXX±0.15				1044 double row Series 90° SMT			
					X.' ±2'				APPROVAL			
					PROJECT				CHECK			
					APPROVAL				DRAWN			
					PROJECT				DATE			
					APPROVAL				2023.09.09			
					PROJECT				UNIT			
					APPROVAL				SCALE			
					APPROVAL				SHEET			
					APPROVAL				REV			
					APPROVAL				NUMBER			
					APPROVAL				mm			
					APPROVAL				1:1			
					APPROVAL				1/1			
					APPROVAL				X1			
					APPROVAL				CD			

**SMS** 东莞市思索技术股份有限公司  
 Dongguan SESO Technology Co.,Ltd.

2023.11.27	X1		Update drawing	Eirc Xue	Zhang
2023.9.9	X0		First drawing	Eirc Xue	Zhang
DATE	REV	ECN NO.	DESCRIPTION	MODIFY	APPROVAL