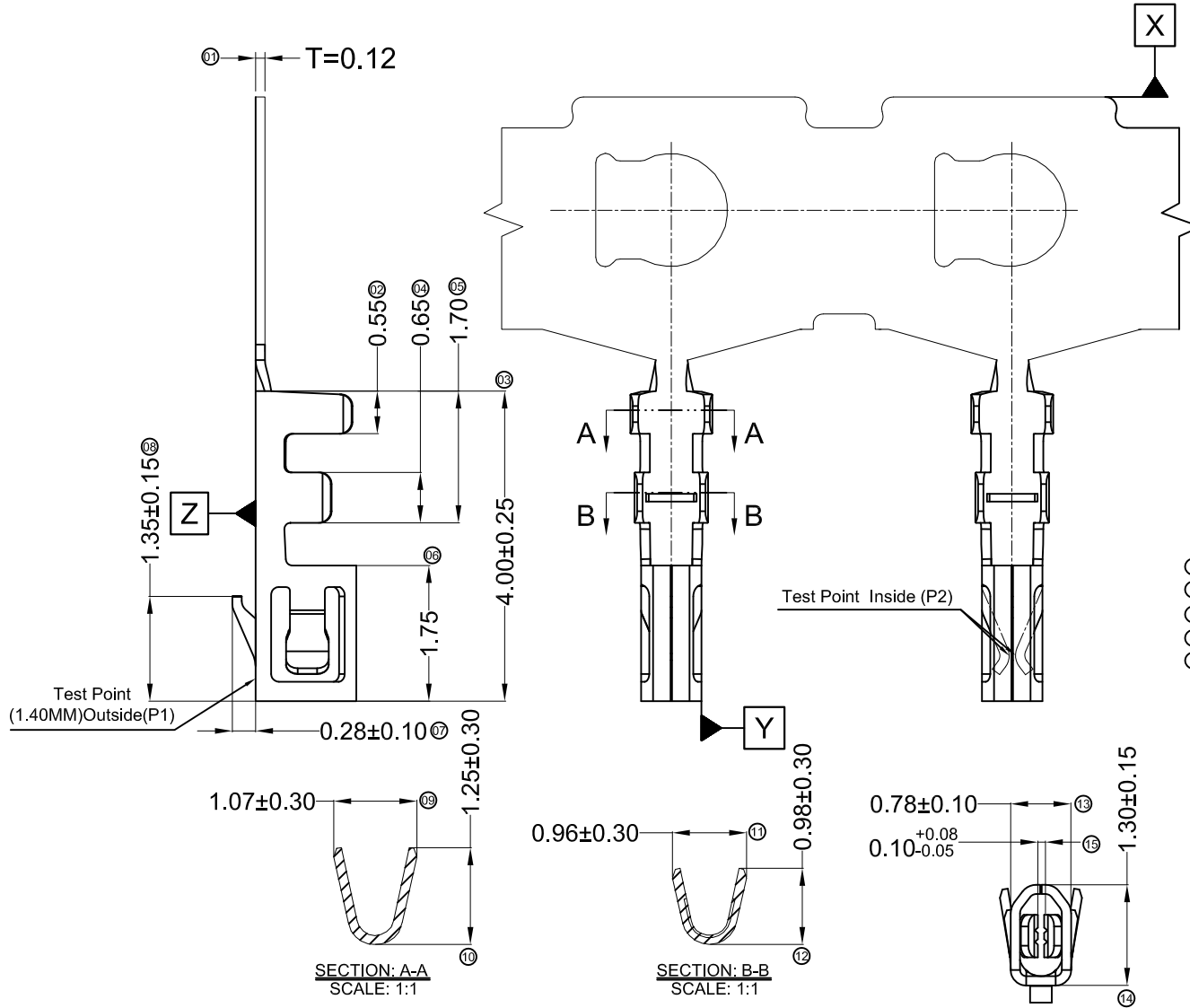


RoHS

This products can apply to the SWB Doc NO. QA-3-04-005 of Environmental&Material Management Rules


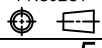


**Specifications :**

- Voltage rating: 50V AC / DC
- Current rating: 1A AC / DC
- Withstanding voltage: 250V AC/minute
- Temperature range: -40°C~+105°C  $\Delta_2$
- Insulation resistance:  $\geq 100M\Omega$
- Contact resistance:  $\leq 20m\Omega$
- After environmental testing:  $\leq 40m\Omega$
- Wire Range: AWG#28~32
- Insulation O.D: 0.80mm(Max)
- Mates With SWB Housing: 1038H

1038 T X-P XXX  
① ② ③ ④ ⑤

- ① Series Number
- ② Category: T-terminal
- ③ Shape: Blank-ordinary
- ④ Material: P-Phosphor bronze
- ⑤ Plating code:  
 SN1-Nickel 30u" Min.; Bright Tin Plating 100u" Min. (Test Point: P1)  
 V01-Ni: 30u" Min. ; Gold flash (Test Point: P1)  
 V05-Ni: 30u" Min.; Contact Area 5u" Min. (Test Point: P2)  
 Other Area: Gold flash (Test Point: P1)  
 V04-Ni: 30u" Min. ; Contact Area Gold 4u" Min. (Test Point: P2)  
 Other Area: Gold flash (Test Point: P1)  
 V15-Ni: 30u" Min. ; Contact Area Gold 15u" Min. (Test Point: P2)  
 Other Area: Gold flash (Test Point: P1)  
 V30-Ni: 30u" Min. ; Contact Area Gold 30u" Min. (Test Point: P2)  
 Other Area: Gold flash (Test Point: P1)

					GENERAL TOLERANCE		 东莞市思索连接器有限公司 SWB CONNECTORS CO.,LTD				PART NO. 1038T-PXXX					
					.X $\pm 0.30$						TITLE 1.00mm Crimp Style Connectors					
					.XX $\pm 0.20$		APPROVAL		CHECK							DRAWN
					.XXX $\pm 0.10$						Fang wei		2021/03/24			
					X° $\pm 2^\circ$		PROJECT									
					PROJECT											
DATE		REV	ECN NO	DESCRIPTION		MODIFY	APPROVAL					UNIT	SCALE	SHEET	REV	NUMBER
22-08-11		A2	/	The temperature change		Wangcheng	Larry Yang					mm	1:1	1/1	A2	A-000
21-12-20		A1	EN20211224002	Change as an entity		Fang wei	Alan qin									

RoHS

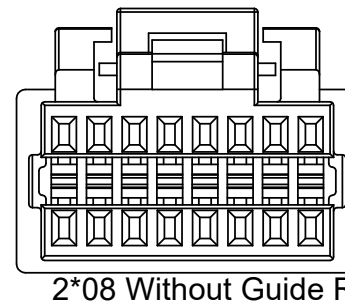
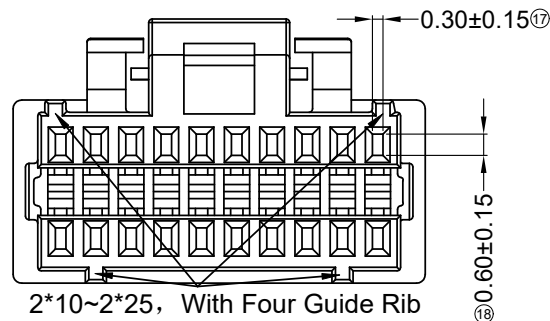
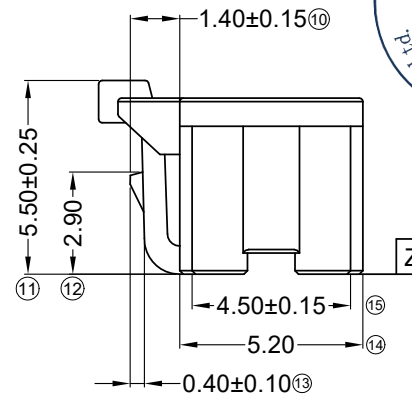
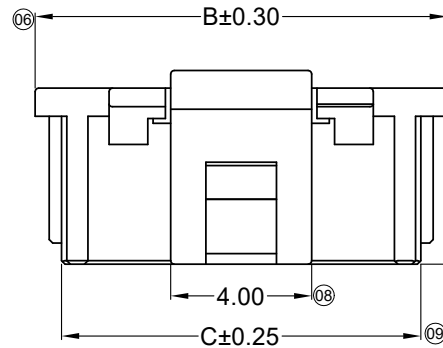
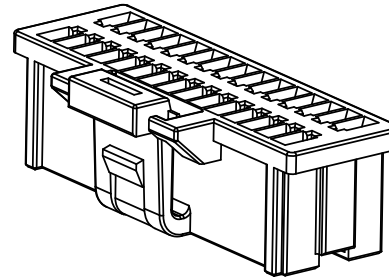
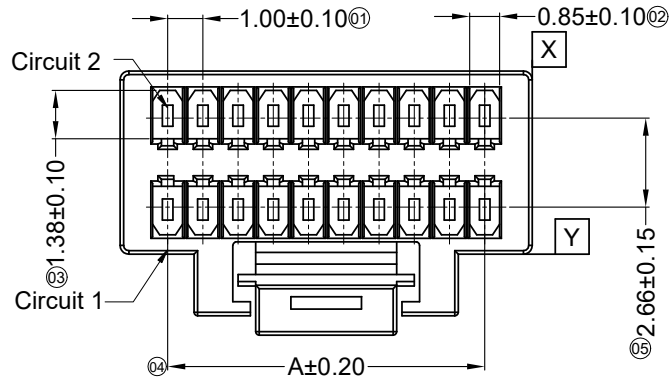
This products can apply to the SWB Doc NO. QA-3-04-005 of Environmental&Material Management Rules

Specifications :

- Voltage rating: 50V AC / DC
- Current rating:1A AC / DC
- Withstanding voltage: 250V AC/minute
- Temperature range: -25°C~+85°C
- Insulation resistance:≥100MΩ
- Contact resistance: ≤20mΩ
- After environmental testing: ≤40mΩ
- Mates With SWB Terminal 1038T

1038 H X- 2\*XX - N0 HF XX  
 ① ② ③ ④ ⑤ ⑥ ⑦

- ① Series No.
- ② Category: H-HSG
- ③ Connector type: Blank-ordinary
- ④ Row No.-Pin No Per Row: 2\*XX-Double row
- ⑤ Material: N0-PA66 94V-0
- ⑥ HF-Halogen-free
- ⑦ Color: Blank-Natural color BK-Black color

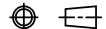


Poles	Dimensions (mm)		
	A	B	C
2x08	7.00	9.70	8.30
2x10	9.00	11.70	10.30
2x12	11.00	13.70	12.30
2x13	12.00	14.70	13.30
2x14	13.00	15.70	14.30
2x15	14.00	16.70	15.30
2x18	17.00	19.70	18.30
2x20	19.00	21.70	20.30
2x25	24.00	26.70	25.30

GENERAL TOLERANCE

- .X ±0.30
- .XX ±0.20
- .XXX ±0.10
- X.° ±2°

PROJECT



东莞市思索连接器有限公司  
 SWB CONNECTORS CO.,LTD

PART NO. 1038H-2\*XX-N0HFXX

TITLE 1.00mm Crimp Style Connectors

APPROVAL CHECK DRAWN DATE

HuangTao 2021/3/22

UNIT	SCALE	SHEET	REV	NUMBER
mm	1:1	1/1	A	A-000

DATE	REV	ECN NO	DESCRIPTION	MODIFY	APPROVAL
1		2		4	5

RoHS

This products can apply to the SWB Doc NO. QA-3-04-005 of Environmental&Material Management Rules

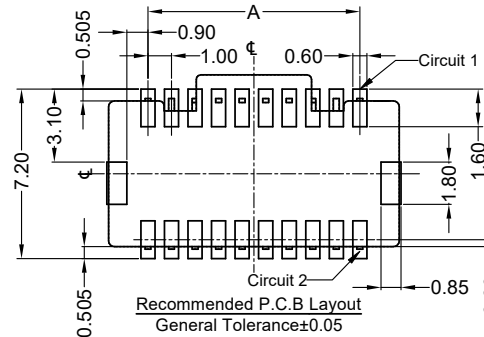
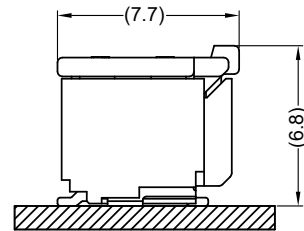
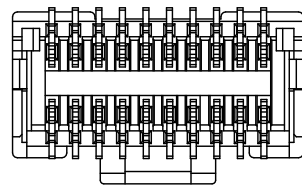
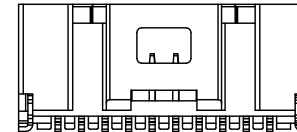
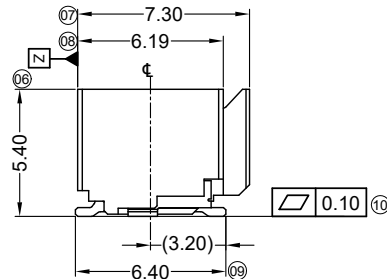
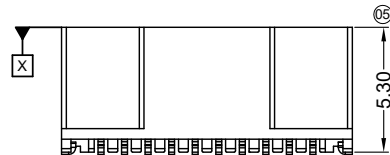
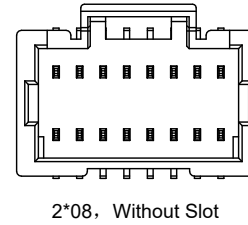
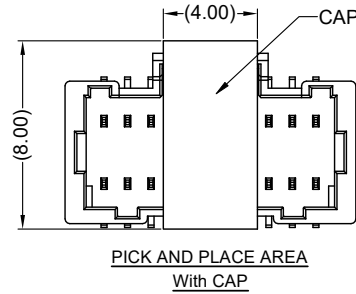
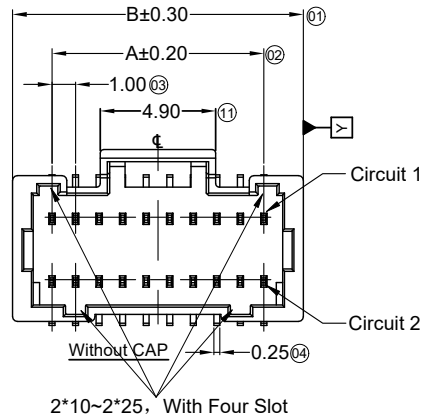


Specifications :

- Voltage rating: 50V AC / DC
- Current rating: 1.0A AC / DC
- Withstanding voltage: 250V AC/minute
- Temperature range: -25°C~+85°C
- Insulation resistance: ≥100MΩ
- Contact resistance: ≤20mΩ
- After environmental testing: ≤30mΩ
- Material(Pin): Phosphor Bronze
- Material(Solder Tabs): Brass
- Material(CAP): LCP UL 94V-0 Black
- Finish(Solder Tabs): Matte Tin Plating
- Mates With SWB Housing: 1038H-2\*XX

1038 W V S-2\*XX -4T XXX X X  
 ① ② ③ ④ ⑤ ⑥ ⑦ ⑧ ⑨

- ① Series No.
- ② Category: W-wafer
- ③ Connector type: V-180°
- ④ Mounting type: S-SMT
- ⑤ Row No.-Pin No per row: 2\*XX-Double Row
- ⑥ Material: 4T-PA4T 94V-0
- ⑦ Plating Code:  
 SW-Matte Tin 100u" Min.; Underplated Nickel 50u"Min.  
 V01-Pin Contact Area Gold flash; Solder Area: Gold flash  
 V04-Pin Contact Area Gold 4u" Min. ; Solder Area: Gold flash.  
 V15-Pin Contact Area Gold 15u" Min. ; Solder Area: Gold flash.  
 Underplated Nickel 50u"Min.  
 V30-Pin Contact Area Gold 30u" Min. ; Solder Area: Gold flash.  
 Underplated Nickel 50u"Min.
- ⑧ Color: Blank-Natural Color ; B-Black Color
- ⑨ Package: C- With CAP / Carrier(Color-Black; ESD)  
 R- Without CAP / Carrier (Color-Black; ESD)  
 C1- With CAP / Carrier Color-Natural  
 R1- Without CAP / Carrier Color-Natural



Poles	Dimensions (mm)	
	A	B
2*08	7.00	10.35
2*10	9.00	12.35
2*12	11.00	14.35
2*13	12.00	15.35
2*14	13.00	16.35
2*15	14.00	17.35
2*18	17.00	20.35
2*20	19.00	22.35
2*25	24.00	27.35

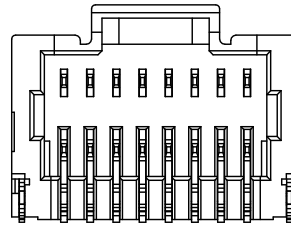
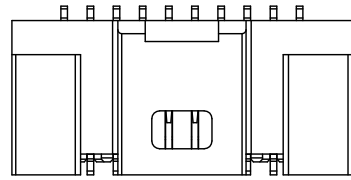
					GENERAL TOLERANCE		东莞市思索连接器有限公司 SWB CONNECTORS CO.,LTD		PART NO. 1038WVS-2*XX-4TXXXXX					
					.X ±0.30				TITLE 1.00mm Crimp Style Connector					
					.XX ±0.20				APPROVAL		CHECK	DRAWN	DATE	
					.XXX ±0.10									
					X.° ±2°		PROJECT		HuangTao		2021/3/22			
DATE	REV	ECN NO.	DESCRIPTION	MODIFY	APPROVAL					UNIT	SCALE	SHEET	REV	NUMBER
1										mm	1:1	1/1	A	A-000

RoHS

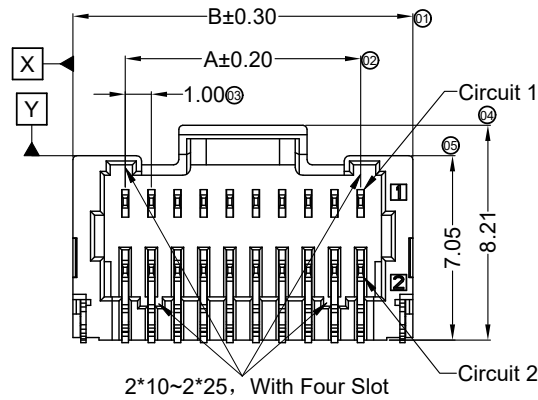
This products can apply to the SWB Doc NO. QA-3-04-005 of Environmental&Material Management Rules

Specifications :

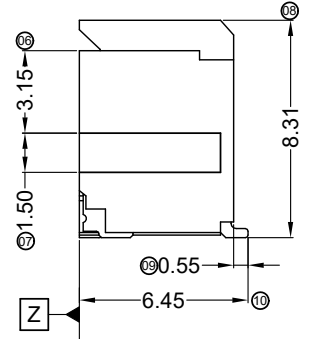
- Voltage rating: 50V AC / DC
- Current rating: 1.0A AC / DC
- Withstanding voltage: 250V AC/minute
- Temperature range: -25°C~+85°C
- Insulation resistance:≥100MΩ
- Contact resistance: ≤20mΩ
- After environmental testing: ≤30mΩ
- Material(Pin): Phosphor Bronze
- Material(Solder Tabs):Brass
- Finish(Solder Tabs): Matte Tin Plating
- Mates With SWB Housing: 1038H-2\*XX



2\*08, Without Slot



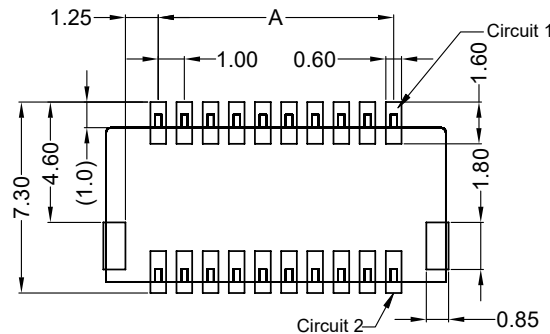
2\*10~2\*25, With Four Slot



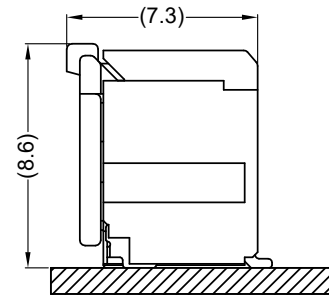
1038 W R S-2\*XX -4T XXX X XX  
 ① ② ③ ④ ⑤ ⑥ ⑦ ⑧ ⑨

- ① Series No.
- ② Category: W-wafer
- ③ Connector type: R-Right Angle 90°
- ④ Mounting type: S-SMT
- ⑤ Row No.-Pin No per row: 2\*XX-Double row
- ⑥ Material: 4T-PA4T 94V-0
- ⑦ Plating code:  
 V01-Pin Contact Area Gold Flash. Solder Area: Gold flash.  
 V04-Pin Contact Area Gold 4u" Min. ; Solder Area G/F;Ni 50u" Min.  
 V15-Pin Contact Area Gold 15u" Min. ; Solder Area G/F;Ni 50u" Min.  
 V30-Pin Contact Area Gold 30u" Min. ; Solder Area G/F;Ni 50u" Min.  
 SW-Matte Tin 100u" Min. ; Ni 50u" Min.
- ⑧ Color: Blank-Natural color B-Black
- ⑨ Package: R- Carrier (Color-Black; ESD)  
 R1- Carrier Color-Natural

Poles	Dimensions (mm)	
	A	B
2*08	7.00	11.00
2*10	9.00	13.00
2*12	11.00	15.00
2*15	14.00	18.00
2*20	19.00	23.00



Recommended P.C.B Layout  
 General Tolerance±0.05



					GENERAL TOLERANCE .X ±0.30 .XX ±0.20 .XXX ±0.10 X.° ±2° PROJECT				东莞市思索连接器有限公司 SWB CONNECTORS CO.,LTD APPROVAL CHECK DRAWN DATE HaungTao 2021/3/22				PART NO. 1038WRS-2*XX-4TXXXXXX TITLE 1.00mm Crimp Style Connectors				
DATE	REV	ECN NO.	DESCRIPTION	MODIFY	APPROVAL					UNIT	SCALE	SHEET	REV	NUMBER			
1										mm	1:1	1/1	A	A-000			