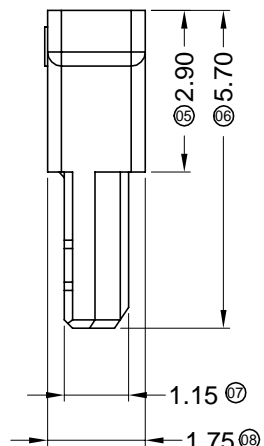
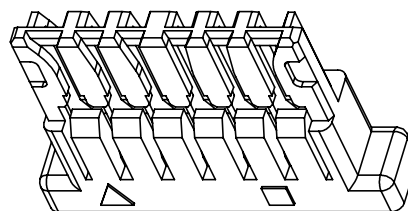
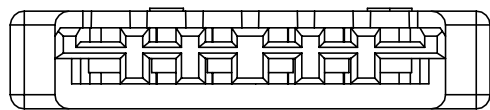
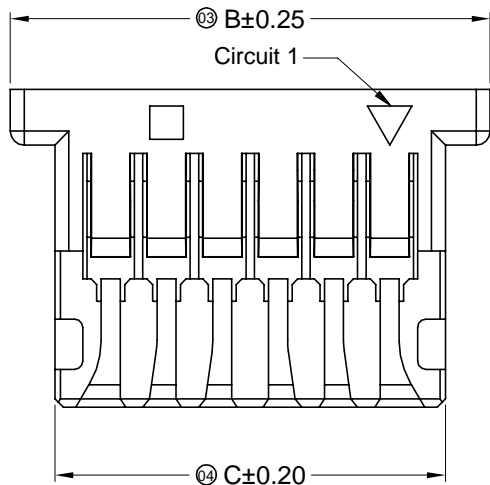
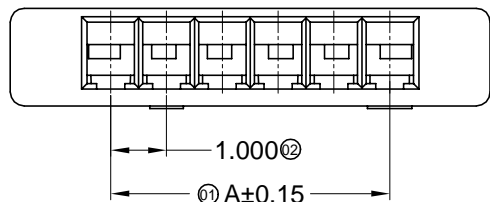


RoHS

This products can apply to the SWB Doc NO. QA-3-04-005 of Environmental&Material Management Rules



■ Specifications :

- Voltage rating: 50V AC / DC
- Current rating: 1A AC / DC
- Withstanding voltage: 500V AC/minute
- Temperature range: -25°C~+85°C
- Insulation resistance: ≥100MΩ
- Contact resistance: ≤20mΩ
- After environmental testing: ≤40mΩ

- Suitable SWB Terminal: 1011T
- Suitable SWB Wafer: 1011W-XX

1011 H X-XX X-N0 XX HF

① ② ③ ④ ⑤ ⑥ ⑦ ⑧

- ① Series No.
- ② Category: H-HSG
- ③ Connector type: Blank-ordinary
- ④ Row No.-Pin No per row: XX-02P~30P
- ⑤ Special No.
- ⑥ Material: N0-PA66 94V-0
- ⑦ Color: Blank-Natural color
- ⑧ HF-Halogen free



Poles	Dimensions(mm)			Poles	Dimensions(mm)		
	A	B	C		A	B	C
02	1.00	4.60	3.00	12	11.00	14.60	13.00
03	2.00	5.60	4.00	13	12.00	15.60	14.00
04	3.00	6.60	5.00	14	13.00	16.60	15.00
05	4.00	7.60	6.00	15	14.00	17.60	16.00
06	5.00	8.60	7.00	16	15.00	18.60	17.00
07	6.00	9.60	8.00	20	19.00	22.60	21.00
08	7.00	10.60	9.00	22	21.00	24.60	23.00
09	8.00	11.60	10.00	26	25.00	28.60	27.00
10	9.00	12.60	11.00	30	29.00	32.60	31.00
11	10.00	13.60	12.00				

DATE	REV	ECN NO	DESCRIPTION	MODIFY	APPROVAL	PROJECT
2020/03/25	D	EN20200325001	Update Drawing Frame	Wzbin	Robing	GENERAL TOLERANCE
2014/04/10	C		Space of a whole page changes	Sylvia	Bob Sun	.X ±0.30
2014/03/26	B		Change Part No for add "M"	Jova Lau	Bob Sun	.XX ±0.20
						.XXX ±0.10
						X.° ±2°
						PROJECT



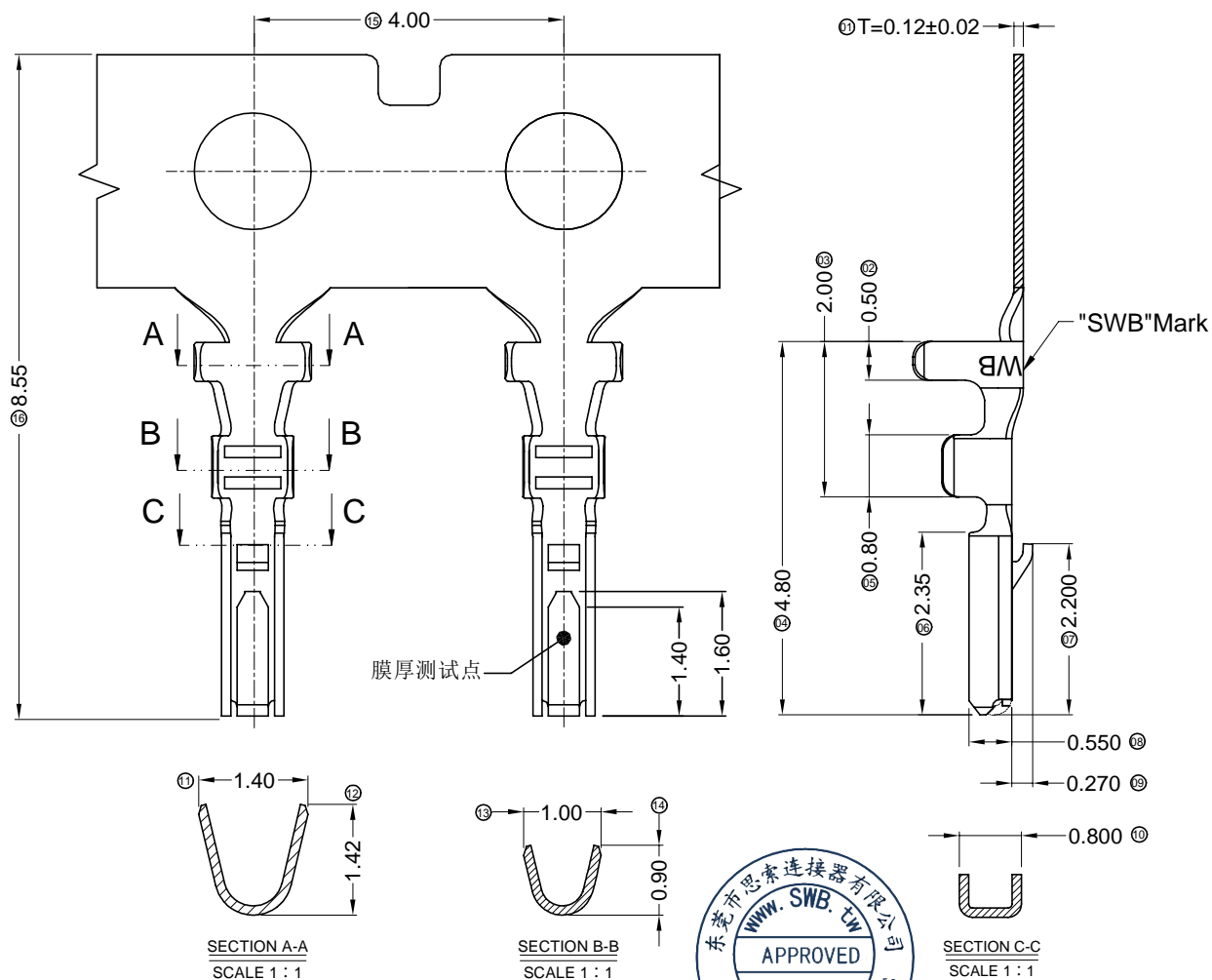
东莞市思索连接器有限公司  
SWB CONNECTORS CO.,LTD

APPROVAL	CHECK	DRAWN	DATE
Bob Sun	Jova Lau	Wuxiaotao	2014/04/28

PART NO. 1011H-XX-N0XX				
TITLE 1.00mm Crimp Style Connectors				
UNIT	SCALE	SHEET	REV	NUMBER
mm	1:1	1/1	D	A-009

RoHS

This products can apply to the SWB Doc NO. QA-3-04-005 of Environmental&Material Management Rules



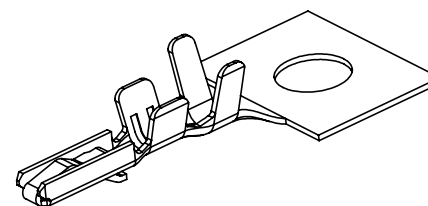
Specifications :

- Voltage rating: 50V AC / DC
- Current rating: 1A AC / DC
- Withstanding voltage: 500V AC/minute
- Temperature range: -25°C~+85°C
- Insulation resistance: ≥100MΩ
- Contact resistance: ≤30mΩ
- After environmental testing: ≤50mΩ

1011 T X-P XX X-X

① ② ③ ④ ⑤ ⑥ ⑦

- ① Series Number
- ② Category: T-terminal
- ③ Shape: Blank-ordinary
- ④ Material: P-Phosphor bronze
- ⑤ Plating Code:  
V01-All Gold Flash ; SN-Bright tin plating
- ⑥ Plating method: Blank-Stamping before plating
- ⑦ Mold No./Mark/Special No.



1011T-PV01	Phosphor Bronze	AWG#28-32	0.80mm(Max)	Stamping Before Pating:30u" Ni;Whole Gold :Gold Flash	1011H
1011T-PSN	Phosphor Bronze	AWG#28-32	0.80mm(Max)	Stamping Before Plating:30u" Ni;70u"Sn	
PART NO	Material	Wire Range	Insulation O.D.	Finish	Used In SWB Housing



2020/03/25	E	EN20200325001	Update Drawing Frame	Wzbin	Robing
2014/04/07	D		Change Part No for "M"	Jova	Bob Sun
2013/11/25	C		Change Size ⑬	Jova	Bob Sun
DATE	REV	ECN NO	DESCRIPTION	MODIFY	APPROVAL

GENERAL TOLERANCE
.X ±0.30
.XX ±0.20
.XXX ±0.10
X.° ±2°
PROJECT
Bob Sun

**东莞市思索连接器有限公司**  
**SWB CONNECTORS CO.,LTD**

APPROVAL	CHECK	DRAWN	DATE
Bob Sun	Jova Lau	Allen	2014/04/30

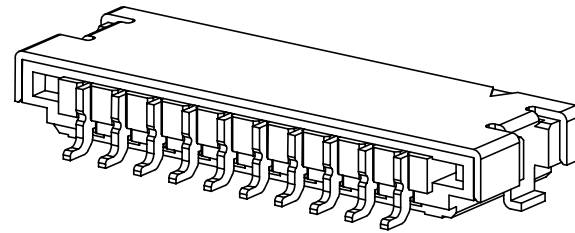
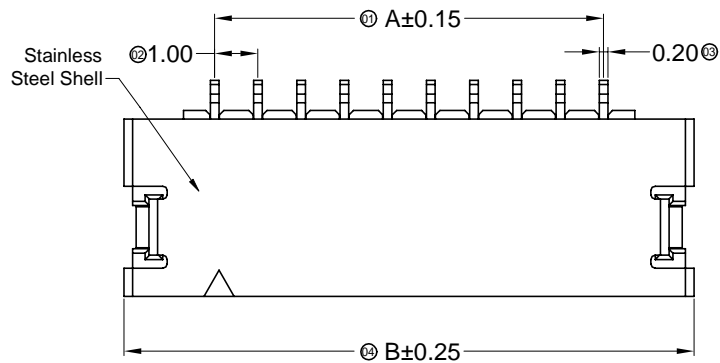
PART NO. 1011T-PXX				
TITLE 1.00mm Crimp Style Conntctors				
UNIT	SCALE	SHEET	REV	NUMBER
mm	1:1	1/1	E	A-009

A

A

RoHS

This products can apply to the SWB Doc NO. QA-3-04-005 of Environmental&Material Management Rules



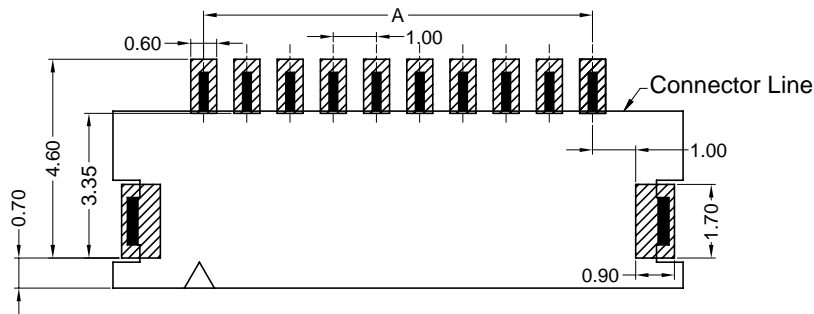
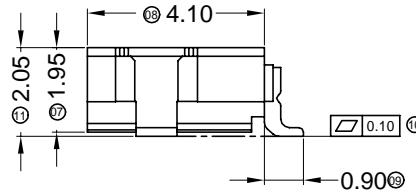
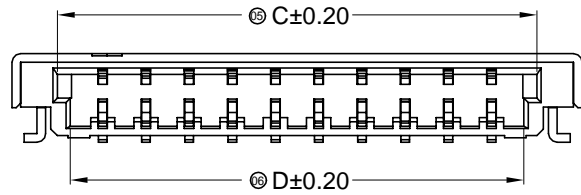
■ Specifications :

- Voltage rating: 50V AC / DC
- Current rating: 1A AC / DC
- Withstanding voltage: 500V AC/minute
- Temperature range: -25°C~+85°C
- Insulation resistance: ≥100MΩ
- Contact resistance: ≤20mΩ
- After environmental testing: ≤40mΩ

- Material(Pin): Phosphor Bronze
- Mates With SWB Housing: 1011H

1011 W R S-XX BHF-XX XX XX  
① ② ③ ④ ⑤ ⑥ ⑦ ⑧ ⑨

- ① Series No.
- ② Category: W-wafer
- ③ Connector type: R-Right Angle 90°
- ④ Mounting type: S-SMT
- ⑤ Row No.-Pin No per row: XX-02P~30P ;
- ⑥ Special No: B- B TYPE (With Stainless Steel Shell)  
HF-Halogen Free
- ⑦ Material: 9T-PA9T 94V-0 ;
- ⑧ Plating Code:  
V01:All Gold Flash ; SW-Matte Tin plating
- ⑨ Color: Blank-natural color



Recommended P.C.B Layout  
General Tolerance±0.05



Poles	Dimensions(mm)				Poles	Dimensions(mm)			
	A	B	C	D		A	B	C	D
02	1.00	5.20	3.10	2.50	17	16.00	20.20	18.10	17.50
03	2.00	6.20	4.10	3.50	18	17.00	21.20	19.10	18.50
04	3.00	7.20	5.10	4.50	19	18.00	22.20	20.10	19.50
05	4.00	8.20	6.10	5.50	20	19.00	23.20	21.10	20.50
06	5.00	9.20	7.10	6.50	21	20.00	24.20	22.10	21.50
07	6.00	10.20	8.10	7.50	22	21.00	25.20	23.10	22.50
08	7.00	11.20	9.10	8.50	23	22.00	26.20	24.10	23.50
09	8.00	12.20	10.10	9.50	24	23.00	27.20	25.10	24.50
10	9.00	13.20	11.10	10.50	25	24.00	28.20	26.10	25.50
11	10.00	14.20	12.10	11.50	26	25.00	29.20	27.10	26.50
12	11.00	15.20	13.10	12.50	27	26.00	30.20	28.10	27.50
13	12.00	16.20	14.10	13.50	28	27.00	31.20	29.10	28.50
14	13.00	17.20	15.10	14.50	29	28.00	32.20	30.10	29.50
15	14.00	18.20	16.10	15.50	30	29.00	33.20	31.10	30.50
16	15.00	19.20	17.10	16.50					

DATE	REV	ECN NO	DESCRIPTION	MODIFY	APPROVAL	PROJECT
2020/03/25	B	EN20200325001	Update Drawing Frame	Wzbin	Robing	PROJECT


**东莞市思索连接器有限公司**  
**SWB CONNECTORS CO.,LTD**

**APPROVAL** Smark    **CHECK** Guo    **DRAWN** Joshua    **DATE** 2017/06/07

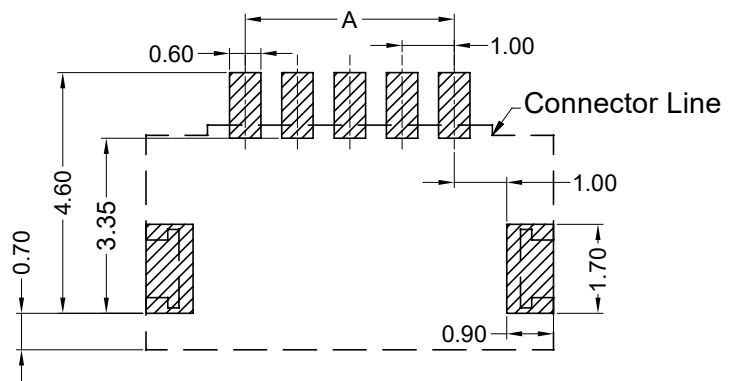
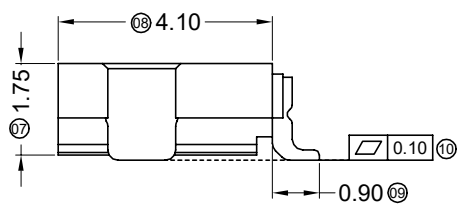
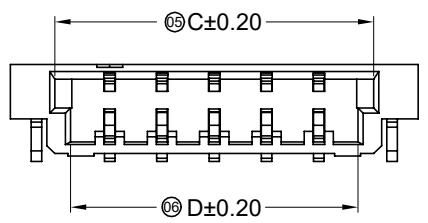
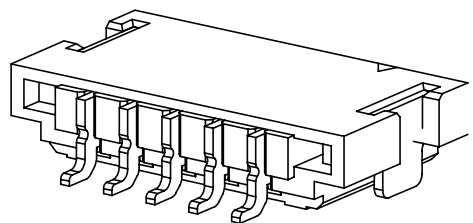
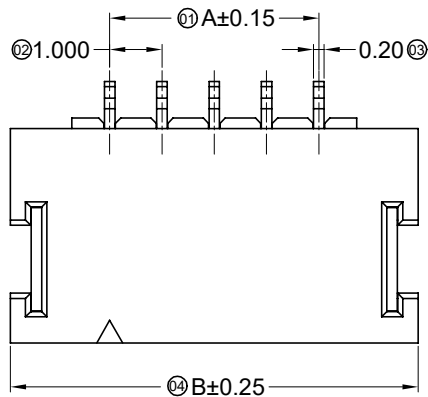
**PART NO.**  
1011WRS-XXBHF-9TXX

**TITLE**  
1.00mm Crimp Style Connectors

UNIT	SCALE	SHEET	REV	NUMBER
mm	1:1	1/1	B	A-000

RoHS

This products can apply to the SWB Doc NO. QA-3-04-005 of Environmental&Material Management Rules



Recommended P.C.B Layout  
General Tolerance±0.05

Specifications :

- Voltage rating: 50V AC / DC
- Current rating: 1A AC / DC
- Withstanding voltage: 500V AC/minute
- Temperature range: -25°C~+85°C
- Insulation resistance:≥100MΩ
- Contact resistance: ≤20mΩ
- After environmental testing: ≤40mΩ
- Material(Pin): Phosphor Bronze
- Material(Solder Tabs): Phosphor Bronze
- Mates With SWB Housing: 1011H


1011 W R S-XX-9T XX XX  
① ② ③ ④ ⑤ ⑥ ⑦ ⑧

- ① Series No.
- ② Category: W-wafer
- ③ Connector Type: R-Right Angle 90°
- ④ Mounting Type: S-SMT
- ⑤ Row No.-Pin No per row: XX-02P~30P
- ⑥ Material: 9T-PA9T 94V-0 ;
- ⑦ Plating Code:  
V01: Gold Flash ; SW-Matte Tin plating
- ⑧ Color: Blank-natural color



Poles	Dimensions(mm)				Poles	Dimensions(mm)			
	A	B	C	D		A	B	C	D
02	1.00	4.80	3.10	2.50	17	16.00	19.80	18.10	17.50
03	2.00	5.80	4.10	3.50	18	17.00	20.80	19.10	18.50
04	3.00	6.80	5.10	4.50	19	18.00	21.80	20.10	19.50
05	4.00	7.80	6.10	5.50	20	19.00	22.80	21.10	20.50
06	5.00	8.80	7.10	6.50	21	20.00	23.80	22.10	21.50
07	6.00	9.80	8.10	7.50	22	21.00	24.80	23.10	22.50
08	7.00	10.80	9.10	8.50	23	22.00	25.80	24.10	23.50
09	8.00	11.80	10.10	9.50	24	23.00	26.80	25.10	24.50
10	9.00	12.80	11.10	10.50	25	24.00	27.80	26.10	25.50
11	10.00	13.80	12.10	11.50	26	25.00	28.80	27.10	26.50
12	11.00	14.80	13.10	12.50	27	26.00	29.80	28.10	27.50
13	12.00	15.80	14.10	13.50	28	27.00	30.80	29.10	28.50
14	13.00	16.80	15.10	14.50	29	28.00	31.80	30.10	29.50
15	14.00	17.80	16.10	15.50	30	29.00	32.80	31.10	30.50
16	15.00	18.80	17.10	16.50					

DATE	REV	ECN NO	DESCRIPTION	MODIFY	APPROVAL	PROJECT
2020/03/25	I	EN20200325001	Update Drawing Frame	Wzbin	Robing	GENERAL TOLERANCE
2014/12/22	H		Modify the size C And D	wuxiaotao	Jova	.X ±0.30
2014/05/04	G		Space of a Whole page Changes	Jova	Bob	.XX ±0.20
						.XXX ±0.10
						X.° ±2°
						PROJECT


**东莞市思索连接器有限公司**  
**SWB CONNECTORS CO.,LTD**  
 APPROVAL: Kim Huang    CHECK: Jova Lau    DRAWN: Xiaowx    DATE: 2014/04/30

PART NO. 1011WRS-XX-9TXX				
TITLE 1.00mm Crimp Style Connectors				
UNIT	SCALE	SHEET	REV	NUMBER
mm	1:1	1/1	I	A-000